

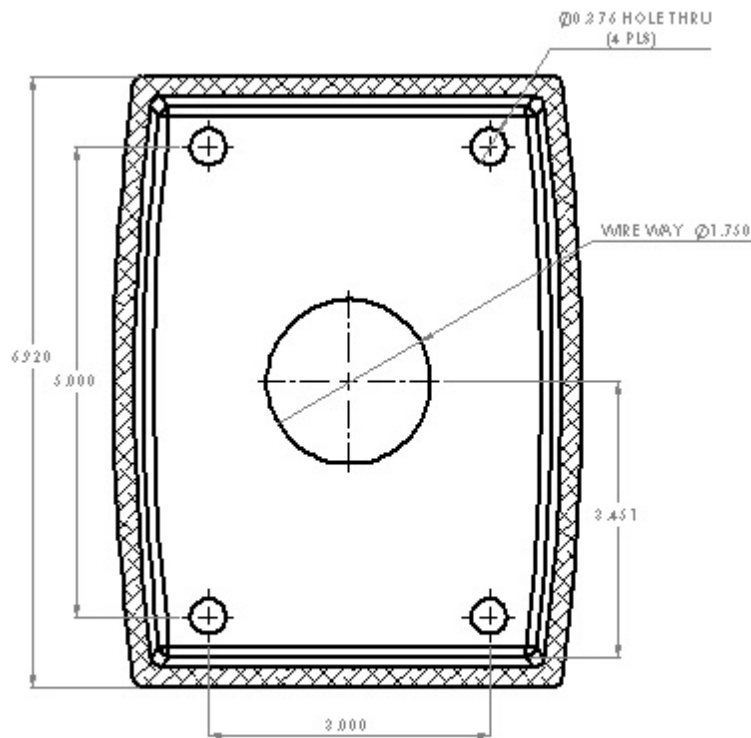
BLX/BSX Wall Mount Installation Instructions

All installation work must be performed by a qualified, certified electrician.

Caution! Disconnect all power before installation.

*Mounting surface must be able to withstand 4 times the weight of the fixture.

1. Pull the wire leads out of the wall at the J-Box, and through the Wall Mount Plate Wire Way Hole.



VIEW AS MOUNTED TO WALL

Figure 1: Wall Mount Plate

2. Firmly attach the Wall Mount Plate to the wall centered over the J-Box with hardware supplied by others using the 4 holes (.376" diameter) provided in the Wall Mount Plate.

Ensure that the Wall Mount Plate is level to the ground before proceeding.

3. Connect the wires from the fixture to the wires coming out of the wall at the J-Box. Please refer to the wiring diagram.

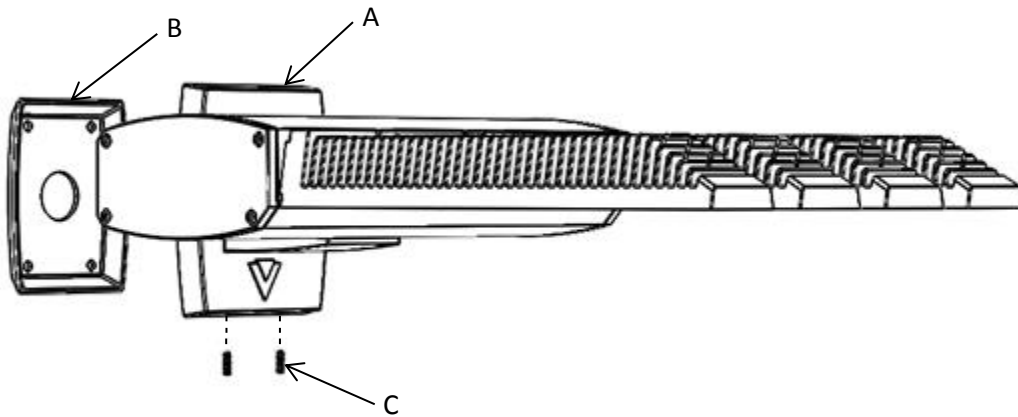


Figure 2: Wall Mount Cover and Plate Assembly

4. (Fig 2) Lift the Fixture and fit the Wall Mount Cover (A) up and over the top edge of the Wall Mount Plate (B), making sure excess wire sits in the cavity between the Wall Mount Plate and Wall Mount Cover (avoid pinching wires) as you rotate the Fixture Wall Mount Cover down over the Wall Mount Plate closed against the wall. Firmly tighten the two (2) Set Screws (C) provided at the bottom of the Wall Mount Cover to trap the fixture tight against the wall.

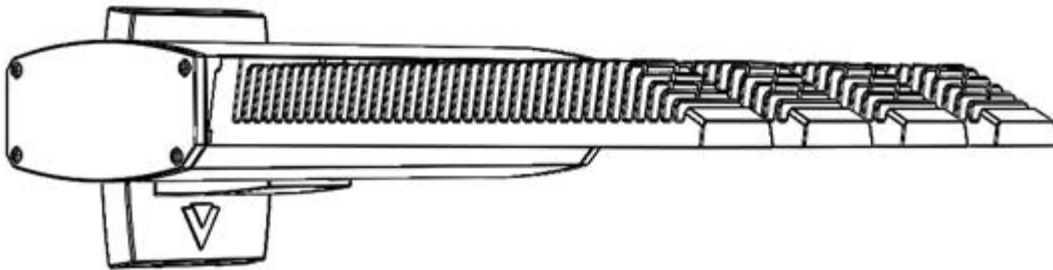


Figure 3: Final Assembly