

# VLX Array LED Specifications



Project Name:

Catalog Number:

Type:

The new **VLX Array LED** Series offers clean, functional styling that is defined by its sleek low profile design and rugged construction. It combines the latest LED Array technology, advanced LED thermal management and provides outdoor lighting that is both energy efficient and aesthetically pleasing.

The LED Arrays performance and the driver's life are maximized by enclosing them in two separate die cast aluminum housings. Easy tool-less access for mounting and maintenance.

The LED Array light assembly comes with 192 LED Arrays, with lumen packages ranging from 54,000-76,000 lumens. Ten optical distribution patterns are available. Choose between 3000, 4000 or 5000 Kelvin temperature of the LEDs.

A durable polyester powder coat finish is guaranteed for five years; and is available in standard or custom colors.

The **VLX Array LED** series is an exceptional choice for commercial parking lots, office complexes, architectural projects, and other general lighting projects.

## Ordering Information

MODEL	OPTICS	LUMENS	KELVIN	VOLTAGE	MOUNTING	FINISH	OPTIONS	OPTIONS
VLX-1	<b>T1</b> Type 1	<b>55L</b>	<b>3K</b> 3000K	<b>UNV</b> 120-277V	<b>AM</b> Arm Mount	<b>GY</b> Grey	<b>PCR-120</b> <b>PCR-208</b> <b>PCR-240</b> <b>PCR-277</b> <b>PCR-347</b> <b>PCR-480</b> Photocell & Receptacle	<b>RPP3</b> <b>RPP4</b> <b>RPP5</b> For 3", 4", or 5" Ø Pole - Round Pole Plate Adaptor
	<b>T2</b> Type 2	<b>60L</b>	<b>4K</b> 4000K	<b>8</b> 347V	<b>WM</b> Wall Mount	<b>SL</b> Silver Metallic	<b>UPMA-S</b> Universal Square Pole Mount Adaptor	
	<b>T3</b> Type 3	<b>65L</b>	<b>5K</b> 5000K	<b>5</b> 480V		<b>BK</b> Black	<b>(3,5,7) PINPER</b> 3, 5, or 7 Pin Photo Receptacle w/shorting cap	<b>UPMA-R</b> Universal Round Pole Mount Adaptor
	<b>T3L</b> Type 3 Long					<b>SBK</b> Smooth Black	<b>DIM</b> 0-10v Dimming Driver	<b>HS</b> House Side Shield
	<b>T4</b> Type 4					<b>WH</b> White	<b>WSC-8</b> Motion Sensor 8' Mounting Height	<b>ROT-R</b> Rotated Optics Right Side
	<b>T4A</b> Type 4 Automotive					<b>SWH</b> Smooth White	<b>WSC-20</b> Motion Sensor 9-20' Mounting Height	<b>ROT-L</b> Rotated Optics Left Side
	<b>T4L</b> Type 4 Long					<b>BZ</b> Bronze	<b>WSC-40</b> Motion Sensor 21-40' Mounting Height This option will require (1) FSIR 100 remote for programming	<b>CLS</b> Back Side Cutoff Louver Shield
	<b>T5LR</b> Type 5 Long Round					<b>GP</b> Graphite	<b>VWC</b> Visionaire Wireless Controls * Consult Factory	<b>BAWP</b> Cast Wall Plate
	<b>T5LS</b> Type 5 Long Square					<b>CC</b> Custom Color		
	<b>T5SR</b> Type 5 Short Round							

# Features & Specifications

## VLX Array

### Heatsink

- Die cast aluminum heatsink with integral cooling fins for thermal management.

### Mounting Arm/Driver Compartment

- Durable two-piece die cast aluminum driver compartment utilizes a tool-less push button latch for ease of maintenance and sealed with a one-piece silicone gasket.

### Thermal Management

- The VLX Array series provides excellent thermal management by mounting the LED Arrays to the substantial heat sink of the housing. This enables the Luminaire to withstand higher ambient temperatures and driver currents without degrading LED life.
- The L70 test determines the point in an LEDs life when it reaches 70 percent of its initial output. The VLX Array series LEDs have been determined to last 90,000+ hours in 25 ° C environments when driven at 1400 mA.

### Optical System

- The highest lumen output LED Arrays are utilized in the VLX Array series. IES distribution Types I, II, III, III-L, IV, IV-A, IV-L, V-LR, V-LS, and V-SR are available. The optical system qualifies as IES full cutoff to restrict light trespass, glare and light pollution.
- CRI values are 70.

### New LED Array Technology

- 4 Diodes now replace a single Led chip and operate at 25% of the drive current allowing for higher efficiency, less heat and longer life. (10 Year Warranty)
- More LEDs at a lower drive current provides a more comfortable visual effect.

### Quali-Guard® Finish

- The finish is a Quali-Guard® textured, chemically pretreated through a multiple-stage washer, electrostatically applied, thermoset polyester powder coat finish, with a minimum of 3-5 millimeter thickness. Finish is oven-baked at 400° F to promote maximum adherence and finish hardness. All finishes are available in standard and custom colors.
- Finish is guaranteed for ten (10) years.

### Electrical Assembly

- The VLX Array LED series is supplied with a choice of 350, 530, 700, 1050 mA high-performance LED drivers that accept 120v thru 480v, 50 Hz to 60 Hz, input. Power factor of 90%. Rated for -40°C operations.
- 10 kV surge protector supplied as standard.
- Terminal block supplied as standard.

### Warranty

- Ten (10) year Limited Warranty on entire system, including finish. For full warranty information, please visit [visionairelighting.com](http://visionairelighting.com).

### Options

- Photocell & receptacle
- Photo receptacle
- 0-10v Dimming Driver
- Motion Sensor
- Visionaire Wireless Control
  - Enables high end trim
  - Based on Zigbee wireless communication protocol
- Round pole plate adapter
- Universal Pole Mount Adaptor
- Cast Wall Plate
- Cut-Off Louver Shield
- Rotated Optics
- House Side Shield

### Listings

- The VLX Array Series is cUL Listed
  - IP65 Rated Housing
  - ANSI Certification
  - Powder Coated Tough
  - IDA Certification
- \*3000K must be selected with a fixed mount for IDA certification.



VLX ARRAY - ELECTRICAL LOAD (A)							
Ordering Nomenclature	System Watts	120	208	240	277	347	480
VLX-1-T5LS-55L	388	3.23	1.87	1.62	1.40	1.12	0.81
VLX-1-T5LS-60L	444	3.70	2.13	1.85	1.60	1.28	0.93
VLX-1-T5LS-70L	501	4.18	2.41	2.09	1.81	1.44	1.04
VLX-1-T5LS-75L	565	4.71	2.72	2.35	2.04	1.63	1.18

# VLX Array LED Array Specifications

## Photometric Optical Summary

T1 Type 1	T2 Type 2	T3 Type 3	T3L Type 3 Long	T4 Type 4	T4L Type 4 Long	T4A Type 4 Automotive	T5SR Type 5 Short Round	T5LR Type 5 Long Round	T5LS Type 5 Long Square
<b>EPA Data</b>									
		1.0	1.6	2.0	2.5	2.4	2.4	2.5	2.5

## Dimensions

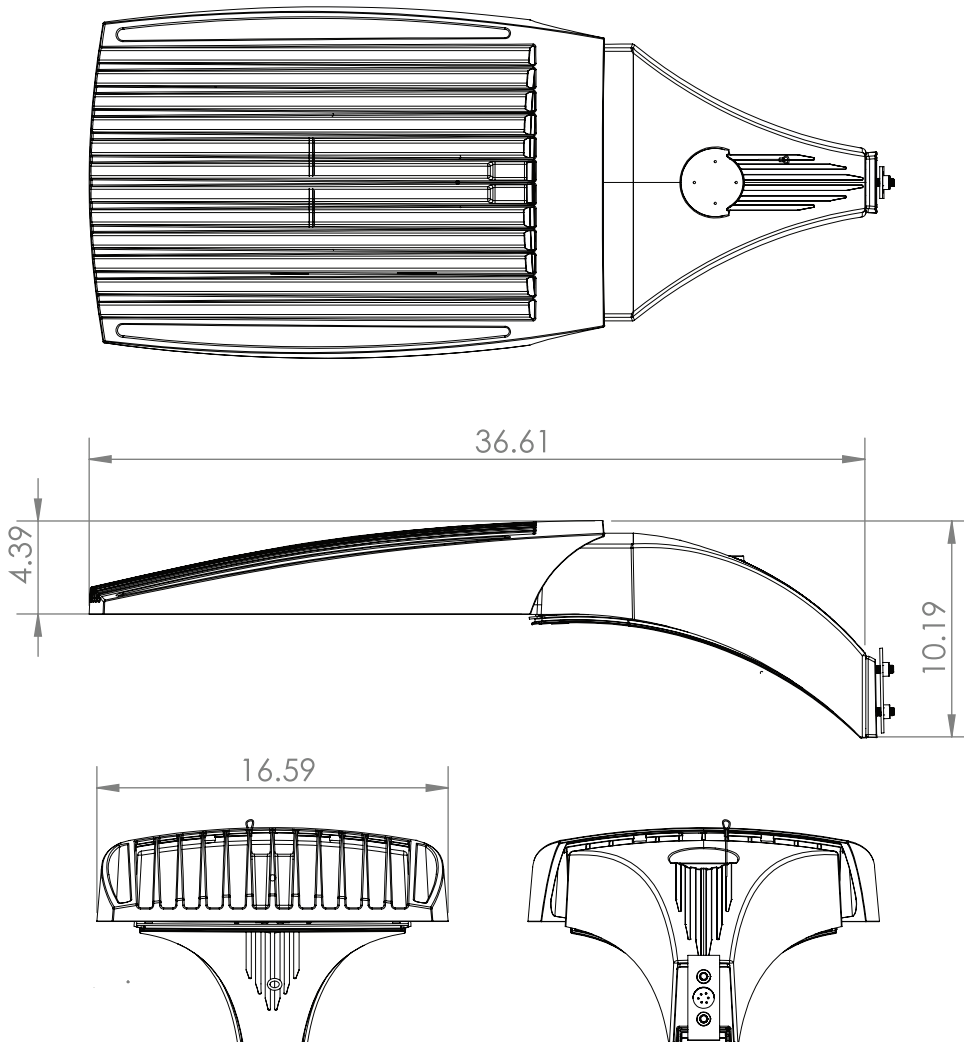
**Width:** VLX-1 16.5"

**Depth:** VLX-1 36.6"

**Height:** VLX-1 4.39"

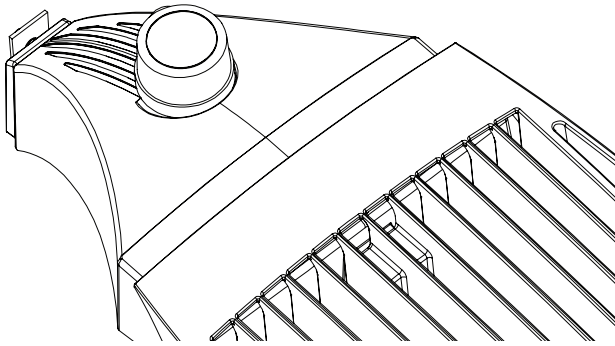
**Overall Height:** VLX-1 10.19"

**Weight:** 58 LBS



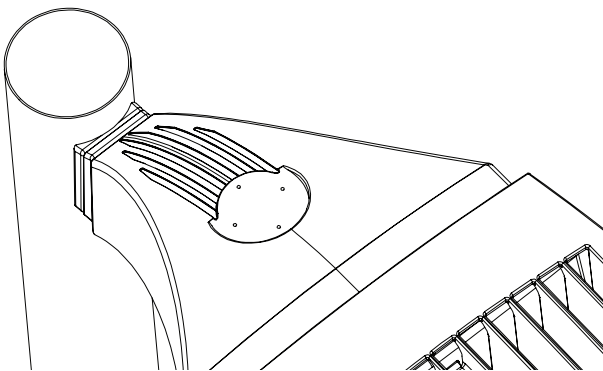
**Twist lock Photocell & Receptacle**

Dusk to dawn sensor.

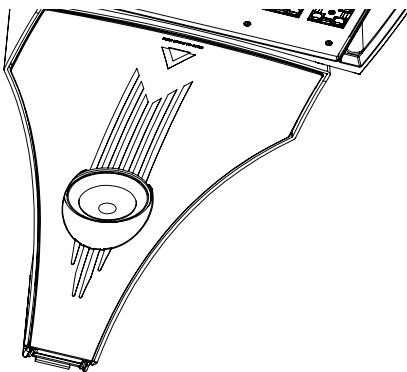


**Round Pole Plate Adaptor**

Round Pole Plate Adaptor to be used with round pole.



**Motion Sensor**



The FSP-211 by Legrand is integrated into the VLX housing and provides multi-level control based on motion and/or daylight contribution.

Lens Coverage Patterns:

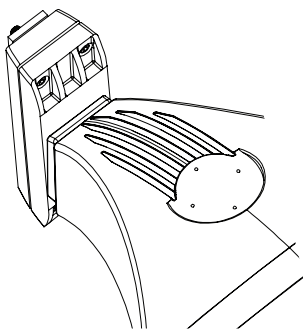
- WSC-8 - 360° lens, maximum coverage 48'; diameter from 8' height
- WSC-20 - 360° lens, maximum coverage 48'; diameter from 20' height
- WSC-40 - 360° lens, maximum coverage 100'; diameter from 40' height

Default settings:

FACTORY DEFAULTS High Mode	0 Volts
Low Mode	1 Volts
Time Delay	5 Minutes
Cut Off	1 Hour
Sensitivity	Maximum
Hold Off Set point	4 Foot Candles
Ramp Up	None
Fade Down	None
Force Off Set point with Occupied	Disable

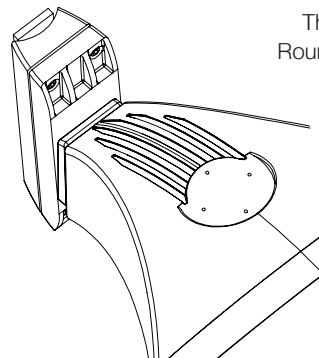
**UPMA**

The Universal Pole Mount Adaptor is ideal for retrofit applications with existing square poles. This adaptor is slotted to fit any existing drilling pattern, up to 6 1/2" bolt to bolt maximum.



**UPMA-R**

The Universal Pole Mount Adaptor Round is ideal for retrofit applications with existing round poles. This adaptor is slotted to fit any existing drilling pattern, up to 6 1/2" bolt to bolt maximum.



# VLX Array LED Array Specifications

VLX ARRAY LUMEN CHART - 3K													
# LEDs	Current (mA)	K Lumen	T1	T2	T3	T3L	T4	T4A	T4L	T5LR	T5LS	T5SR	Wattage
192AR	700	55L	52191	51808	50363	45516	51180	52819	46412	50261	52041	53885	388
	800	60L	58603	58173	56550	51108	57468	59308	52114	56436	58435	60506	444
	900	65L	64846	64370	62574	56552	63589	65626	57665	62448	64659	66951	501
	1000	75L	70533	70015	68062	61512	69166	71382	62723	67925	70330	72822	565
VLX ARRAY LUMEN CHART - 4K													
# LEDs	Current (mA)	K Lumen	T1	T2	T3	T3L	T4	T4A	T4L	T5LR	T5LS	T5SR	Wattage
192AR	700	55L	54287	53889	52385	47344	53235	54940	48276	52279	54131	56049	388
	800	60L	60956	60509	58821	53160	59775	61690	54207	58702	60781	62935	444
	900	65L	67449	66955	65087	58823	66143	68261	59981	64955	67256	69639	501
	1000	75L	73365	72827	70795	63982	71943	74248	65241	70652	73154	75746	565
VLX ARRAY LUMEN CHART - 5K													
# LEDs	Current (mA)	K Lumen	T1	T2	T3	T3L	T4	T4A	T4L	T5LR	T5LS	T5SR	Wattage
192AR	700	55L	55011	54608	53084	47975	53945	55673	48920	52977	54853	56797	388
	800	60L	61770	61317	59606	53869	60573	62513	54930	59486	61592	63775	444
	900	65L	68350	67848	65955	59608	67025	69172	60781	65822	68153	70568	501
	1000	75L	74344	73799	71740	64835	72904	75238	66112	71595	74130	76757	565
VLX ARRAY LUMEN PER WATT CHART - 3K													
# LEDs	Current (mA)	K Lumen	T1	T2	T3	T3L	T4	T4A	T4L	T5LR	T5LS	T5SR	Wattage
192AR	700	55L	135	134	130	117	132	136	120	130	134	139	388
	800	60L	132	131	127	115	130	134	117	127	132	136	444
	900	65L	129	128	125	113	127	131	115	125	129	134	501
	1000	75L	125	124	120	109	122	126	111	120	124	129	565
VLX ARRAY LUMEN PER WATT CHART - 4K													
# LEDs	Current (mA)	K Lumen	T1	T2	T3	T3L	T4	T4A	T4L	T5LR	T5LS	T5SR	Wattage
192AR	700	55L	140	139	135	122	137	142	124	135	140	144	388
	800	60L	137	136	133	120	135	139	122	132	137	142	444
	900	65L	135	134	130	117	132	136	120	130	134	139	501
	1000	75L	130	129	125	113	127	131	115	125	129	134	565
VLX ARRAY LUMEN PER WATT CHART - 5K													
# LEDs	Current (mA)	K Lumen	T1	T2	T3	T3L	T4	T4A	T4L	T5LR	T5LS	T5SR	Wattage
192AR	700	55L	142	141	137	124	139	144	126	137	141	146	388
	800	60L	139	138	134	121	137	141	124	134	139	144	444
	900	65L	136	135	132	119	134	138	121	131	136	141	501
	1000	75L	132	131	127	115	129	133	117	127	131	136	565

VLX ARRAY BUG CHART - 3K																																		
# LEDs	Current (mA)	K Lumen	T1			T2			T3			T3L			T4			T4A			T4L			T5LR			T5LS			T5SR			Wattage	
			B	U	G	B	U	G	B	U	G	B	U	G	B	U	G	B	U	G	B	U	G	B	U	G	B	U	G	B	U	G		
192AR	700	55L	5	0	5	5	0	5	5	4	0	5	5	0	5	5	0	5	5	0	4	5	0	5	5	0	5	5	0	5	5	0	4	388
	800	60L	5	0	5	5	0	5	5	5	0	5	5	0	5	5	0	5	5	0	4	5	0	5	5	0	5	5	0	5	5	0	4	444
	900	65L	5	0	5	5	0	5	5	5	0	5	5	0	5	5	0	5	5	0	4	5	0	5	5	0	5	5	0	5	5	0	4	501
	1000	75L	5	0	5	5	0	5	5	5	0	5	5	0	5	5	0	5	5	0	4	5	0	5	5	0	5	5	0	5	5	0	4	565
VLX ARRAY BUG CHART - 4K																																		
# LEDs	Current (mA)	K Lumen	T1			T2			T3			T3L			T4			T4A			T4L			T5LR			T5LS			T5SR			Wattage	
			B	U	G	B	U	G	B	U	G	B	U	G	B	U	G	B	U	G	B	U	G	B	U	G	B	U	G	B	U	G		
192AR	700	55L	5	0	5	5	0	5	5	5	0	5	5	0	5	5	0	5	5	0	4	5	0	5	5	0	5	5	0	5	5	0	5	388
	800	60L	5	0	5	5	0	5	5	5	0	5	5	0	5	5	0	5	5	0	4	5	0	5	5	0	5	5	0	5	5	0	5	444
	900	65L	5	0	5	5	0	5	5	5	0	5	5	0	5	5	0	5	5	0	4	5	0	5	5	0	5	5	0	5	5	0	5	501
	1000	75L	5	0	5	5	0	5	5	5	0	5	5	0	5	5	0	5	5	0	5	5	0	5	5	0	5	5	0	5	5	0	5	565
VLX ARRAY BUG CHART - 5K																																		
# LEDs	Current (mA)	K Lumen	T1			T2			T3			T3L			T4			T4A			T4L			T5LR			T5LS			T5SR			Wattage	
			B	U	G	B	U	G	B	U	G	B	U	G	B	U	G	B	U	G	B	U	G	B	U	G	B	U	G	B	U	G		
192AR	700	55L	5	0	5	5	0	5	5	5	0	5	5	0	5	5	0	5	5	0	5	5	0	5	5	0	5	5	0	5	5	0	5	388
	800	60L	5	0	5	5	0	5	5	5	0	5	5	0	5	5	0	5	5	0	5	5	0	5	5	0	5	5	0	5	5	0	5	444
	900	65L	5	0	5	5	0	5	5	5	0	5	5	0	5	5	0	5	5	0	5	5	0	5	5	0	5	5	0	5	5	0	5	501
	1000	75L	5	0	5	5	0	5	5	5	0	5	5	0	5	5	0	5	5	0	5	5	0	5	5	0	5	5	0	5	5	0	5	565

# VLX Array LED Array Specifications

**VLX ARRAY LUMEN CHART - 3K - HS**

# LEDs	Current (mA)	K Lumen	T1	T2	T3	T3L	T4	T4A	T4L	T5LR	T5LS	T5SR	WATTAGE
192AR	700	55L	12622	12529	12180	11007	12377	12774	11224	12155	12585	13032	387.9
	800	60L	14172	14068	13676	12360	13898	14343	12603	13648	14132	14633	443.6
	900	65L	15682	15567	15133	13676	15378	15871	13946	15102	15637	16191	501.4
	1000	75L	17057	16932	16460	14876	16727	17263	15169	16427	17008	17611	565.3

**VLX ARRAY LUMEN CHART - 4K - HS**

# LEDs	Current (mA)	K Lumen	T1	T2	T3	T3L	T4	T4A	T4L	T5LR	T5LS	T5SR	WATTAGE
192AR	700	55L	13129	13032	12669	11449	12874	13287	11675	12643	13091	13555	387.9
	800	60L	14741	14633	14225	12856	14456	14919	13109	14196	14699	15220	443.6
	900	65L	16312	16192	15740	14226	15996	16508	14506	15709	16265	16841	501.4
	1000	75L	17742	17612	17121	15473	17399	17956	15778	17086	17691	18318	565.3

**VLX ARRAY LUMEN CHART - 5K - HS**

# LEDs	Current (mA)	K Lumen	T1	T2	T3	T3L	T4	T4A	T4L	T5LR	T5LS	T5SR	WATTAGE
192AR	700	55L	13304	13206	12838	11602	13046	13464	11831	12812	13266	13736	387.9
	800	60L	14938	14829	14415	13028	14649	15118	13284	14386	14895	15423	443.6
	900	65L	16529	16408	15950	14415	16209	16728	14699	15918	16482	17066	501.4
	1000	75L	17979	17847	17349	15680	17631	18195	15988	17314	17927	18563	565.3

**VLX ARRAY LUMEN PER WATT CHART - 3K - HS**

# LEDs	K Lumen	T1	T2	T3	T3L	T4	T4A	T4L	T5LR	T5LS	T5SR
192AR	55L	33	32	31	28	32	33	29	31	32	34
	60L	32	32	31	28	31	32	28	31	32	33
	65L	31	31	30	27	31	32	28	30	31	32
	75L	30	30	29	26	30	31	27	29	30	31

**VLX ARRAY LUMEN PER WATT CHART - 4K - HS**

# LEDs	K Lumen	T1	T2	T3	T3L	T4	T4A	T4L	T5LR	T5LS	T5SR
192AR	55L	34	34	33	30	33	34	30	33	34	35
	60L	33	33	32	29	33	34	30	32	33	34
	65L	33	32	31	28	32	33	29	31	32	34
	75L	31	31	30	27	31	32	28	30	31	32

**VLX ARRAY LUMEN PER WATT CHART - 5K - HS**

# LEDs	K Lumen	T1	T2	T3	T3L	T4	T4A	T4L	T5LR	T5LS	T5SR
192AR	55L	34	34	33	30	34	35	30	33	34	35
	60L	34	33	32	29	33	34	30	32	34	35
	65L	33	33	32	29	32	33	29	32	33	34
	75L	32	32	31	28	31	32	28	31	32	33

VLX ARRAY BUG 3K - HS																																
#LEDs	CURRENT (mA)	K(LM)	T1			T2			T3			T3L			T4			T4A			T4L			T5LR			T5LS			T5SR		
			B	U	G	B	U	G	B	U	G	B	U	G	B	U	G	B	U	G	B	U	G	B	U	G	B	U	G	B	U	G
192AR	700	55L	1	0	3	1	0	2	1	0	2	1	0	5	1	0	3	1	0	2	1	0	5	1	0	5	1	0	3	1	0	2
	800	60L	1	0	3	1	0	2	1	0	3	1	0	5	1	0	3	1	0	2	1	0	5	1	0	5	1	0	3	1	0	2
	900	65L	1	0	3	1	0	3	1	0	3	1	0	5	1	0	3	1	0	2	1	0	5	1	0	5	1	0	3	1	0	3
	1000	75L	2	0	3	1	0	3	1	0	3	1	0	5	1	0	3	1	0	3	1	0	5	1	0	5	1	0	3	1	0	3

VLX ARRAY BUG 4K - HS																																
#LEDs	CURRENT (mA)	K(LM)	T1			T2			T3			T3L			T4			T4A			T4L			T5LR			T5LS			T5SR		
			B	U	G	B	U	G	B	U	G	B	U	G	B	U	G	B	U	G	B	U	G	B	U	G	B	U	G	B	U	G
192AR	700	55L	1	0	3	1	0	2	1	0	3	1	0	5	1	0	3	1	0	2	1	0	5	1	0	5	1	0	3	1	0	2
	800	60L	1	0	3	1	0	3	1	0	3	1	0	5	1	0	3	1	0	2	1	0	5	1	0	5	1	0	3	1	0	2
	900	65L	1	0	3	1	0	3	1	0	3	1	0	5	1	0	3	1	0	2	1	0	5	1	0	5	1	0	3	1	0	3
	1000	75L	2	0	3	1	0	3	1	0	3	1	0	5	1	0	3	1	0	3	1	0	5	1	0	5	1	0	3	1	0	3

VLX ARRAY BUG 5K - HS																																
#LEDs	CURRENT (mA)	K(LM)	T1			T2			T3			T3L			T4			T4A			T4L			T5LR			T5LS			T5SR		
			B	U	G	B	U	G	B	U	G	B	U	G	B	U	G	B	U	G	B	U	G	B	U	G	B	U	G	B	U	G
192AR	700	55L	1	0	3	1	0	2	1	0	3	1	0	5	1	0	3	1	0	2	1	0	5	1	0	5	1	0	3	1	0	2
	800	60L	1	0	3	1	0	3	1	0	3	1	0	5	1	0	3	1	0	2	1	0	5	1	0	5	1	0	3	1	0	2
	900	65L	1	0	3	1	0	3	1	0	3	1	0	5	1	0	3	1	0	2	1	0	5	1	0	5	1	0	3	1	0	3
	1000	75L	2	0	3	1	0	3	1	0	3	1	0	5	1	0	3	1	0	3	1	0	5	1	0	5	1	0	3	1	0	3