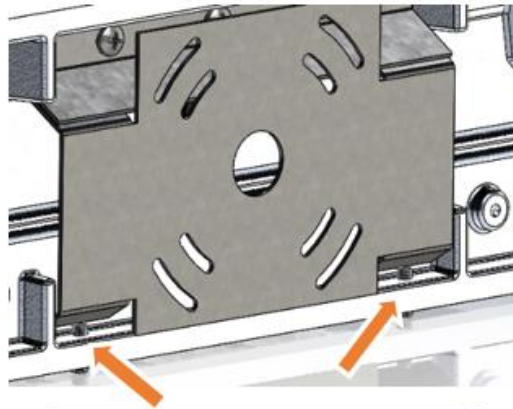


PGRS-I WALL MOUNT INSTALLATION INSTRUCTION

All installation work must be performed by a qualified, certified electrician.

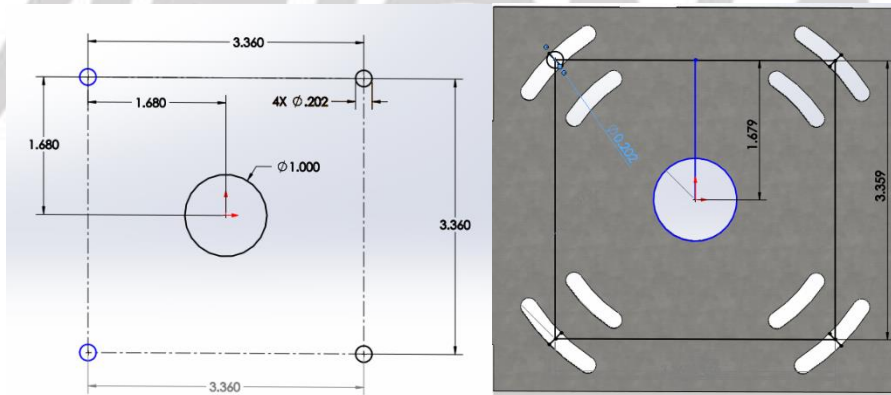
Caution! Disconnect all power before installation.

1. Loosen and remove the two set screw (hexagonal head) in the low back

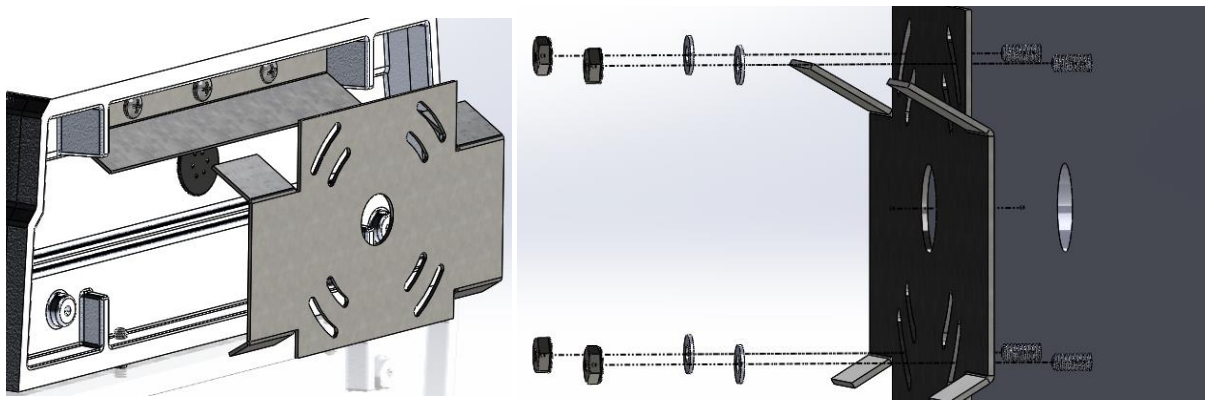


Set screws to loosen up

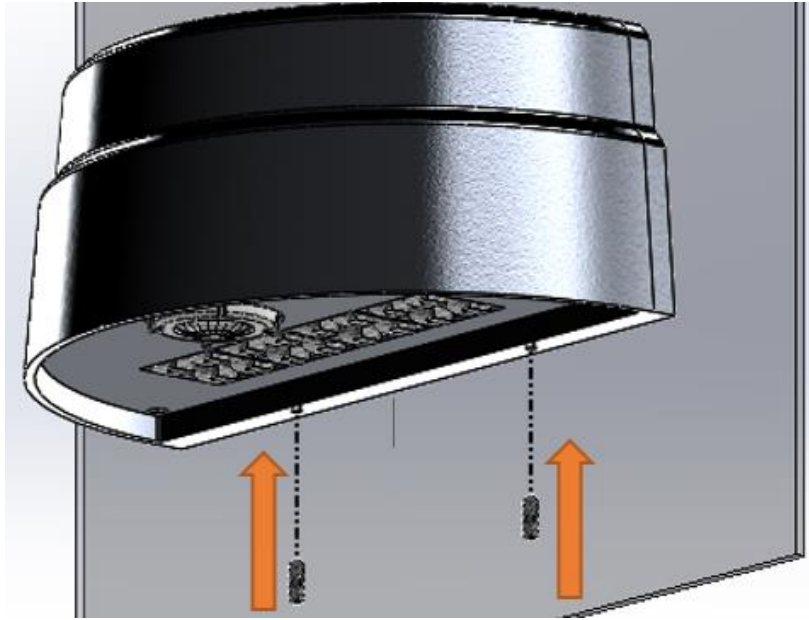
2. Use back plate template to install (4x) threaded studs (not included)



3. Attach the mounting bracket and secure to the wall with (4x) hex nuts and washers (not included).



4. Align the bracket and the luminaire and fasten (2x) set screw to secure luminaire to the wall bracket



5. Final assembly should look like the following image (luminaire model can vary).

