

LUSSO ARRAY L-PT LED Specifications



Project Name: _____

Catalog Number: _____

Type: _____

Contemporary design meets the new generation of LED Array green technology in this stunning luminaire, the **Lusso Array**. The Lusso Array is offered in ten optical distributions.

The Lusso Array's fully-sealed housing features an exceptionally well-designed thermal management system that provides superior heat dissipation.

The Lusso Array fixture is built with cast aluminum.

The new **Lusso Array** is the perfect compliment to any university campus, business park, or walkway project where contemporary, architectural design is desired.

Ordering Information

MODEL	OPTICS	LUMENS	KELVIN	VOLTAGE	MOUNTING	FINISH	OPTIONS	OPTIONS	
LSO-L	T1 Type 1	25L	3K 3000K	UNV 120-277V	PTS Post Top Single Arm	BK Black	PCR-120	WSC-8 Motion Sensor 8' Mounting Height	
	T2 Type 2	30L	4K 4000K	8 347V	PTD Post Top Double Arm The Lusso Post Top will slip over a 4" O.D. X 4" Tall tenon	SBK Smooth Black	PCR-208	WSC-20 Motion Sensor 9'-20" Mounting Height	
	T3 Type 3	35L	5K 5000K	5 480V		BZ Bronze	PCR-240		WSC-40 Motion Sensor 21-40' Mounting Height
	T3L Type 3 Long	40L	50L	GP Graphite		PCR-277	PCR-347 PCR-480 Photocell & Receptacle		
	T4 Type 4	45L	55L	GY Grey		PER			5PINPER 7PINPER 3, 5, or 7 Pin Photo Receptacle w/shorting cap *Requires Dimming Driver
	T4A Type 4 Automotive			SL Silver Metallic		5PINPER	DIM 0-10v Dimming Driver		
	T4L Type 4 Long			WH White		7PINPER			VWC Visionaire Wireless Controls *Consult Factory
	T5LR Type 5 Long Round			SWH Smooth White		3PINPER	CLS Cutoff Louver Shield		
	T5LS Type 5 Long Square			FG Forest Green		5PINPER			
	T5SR Type 5 Short Round			VD Verdigris Green		7PINPER			
			CC Custom Color	5PINPER					

Features & Specifications

LUSSO ARRAY L-PT

Housing

The Lusso Arrays housing is constructed from durable, corrosion-resistant, cast aluminum. Silicone gasketing is provided for complete weather and insect protection.

Thermal Management

The Lusso Array provides excellent overall thermal management by maximizing the efficiency of the heat sink in the fixture. This enables the Lusso Array to withstand higher ambient temperatures and higher drive currents without degrading LED life.

Optical System

- The highest lumen output LEDs are utilized. High-performance acrylic optics feature industry leading Type 1, 2, 3, 3L, 4, 4A, 4L, 5LR, 5LS and 5SR optical distributions. Acrylic optics are impact-resistant and rated to 94 percent translucence.
- L70 life of our LEDs is rated over 100,000 hours (for 1400 mA).
- CRI values are 70.

New LED Array Technology

- 4 Diodes now replace a single Led chip and operate at 25% of the drive current allowing for higher efficiency, less heat and longer life. (10 Year Warranty)
- More LEDs at a lower drive current provides a more comfortable visual effect.

Quali-Guard® Finish

- Fixture components are chemically pretreated through a multiple-stage washer, and finished with an electrostatically-applied, thermoset polyester powder coat textured paint with a 3 to 5 millimeters thickness. Finish is oven-baked at 400 °F for maximum adherence and finish hardness.
- Available in standard and custom colors.
- Finish is guaranteed for five (5) years.

Post Top Mount

- Lusso Arrays contractor-friendly mounting hardware slips over a 4" O.D. x 4" tall tenon utilizing stainless steel hardware.
- The Lusso Large was designed for a smooth transition with a 5" OD pole with a 4" OD tenon.

Electrical Assembly

- The Lusso Array is supplied with a high-performance driver available in 1200, 1300 and 1400 mA. The driver is integrally-located in the housing, and is operational from 120 V through 480 V, 50 Hz to 60 Hz input.
- Power factor is 90%.
- Rated for -40° to 50°C operation.
- 10 kV surge protector supplied as standard.

Warranty

- Ten (10) year Limited Warranty on electrical components.
 - Five (5) year on finish.
- For full warranty information, please visit visionairelighting.com.

Options

- Photocell & Receptacle
 - Photocell Receptacle with shunting cap
 - 0-10v Dimming Driver
 - WattStopper FSP-211 Motion Sensor
 - Wireless Control
 - Rotated Optics
 - Cutoff Louver Shield
- Please consult factory for detailed custom options.

Listings

- Lusso-L is cUL listed
- IP65 Rated
- Powder Coated Tough™
- IDA dark sky Certification



DesignLights Consortium (DLC) qualified Product. Some configurations of this product family may not be DesignLights Consortium (DLC) listed, please refer to the DLC qualified products list to confirm listed configurations. <http://www.designlights.org/>

3000K must be selected for IDA certification.
Fixed Mount must be selected for IDA dark sky certification.

ELECTRICAL LOAD (A)							
Ordering Nomenclature	System Watts	120	208	240	277	347	480
LSO-L-T5LS-25L	202	1.68	0.97	0.84	0.73	0.58	0.42
LSO-L-T5LS-30L	234	1.95	1.13	0.98	0.84	0.67	0.49
LSO-L-T5LS-35L	278	2.32	1.34	1.16	1.00	0.80	0.58
LSO-L-T5LS-40L	321	2.68	1.54	1.34	1.16	0.93	0.67
LSO-L-T5LS-45L	342	2.85	1.64	1.43	1.23	0.99	0.71
LSO-L-T5LS-50L	377	3.14	1.81	1.57	1.36	1.09	0.79
LSO-L-T5LS-55L	408	3.40	1.96	1.70	1.47	1.18	0.85

Motion Sensor Default Setting		
Type	WSC - Default	WSC Range
High Mode	10V	0-10V
Low Mode	1V	0-9.8V
Time Delay	5 Min	5-30 Min
Cut Off Delay	1 Hour	1-5 Hours
Sensitivity	Max	Low, Med, Max
Hold Off Setpoint	Disabled	1-250FC
Photocell On/Off	Disabled	1-250FC
Ramp Up Time	Disabled	1-60 Dec
Fade Down Time	Disabled	1-60 Dec

LUSSO ARRAY L-PT LED Specifications

Photometric Optical Summary

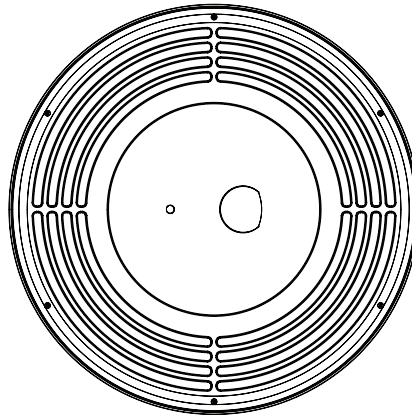


EPA Data

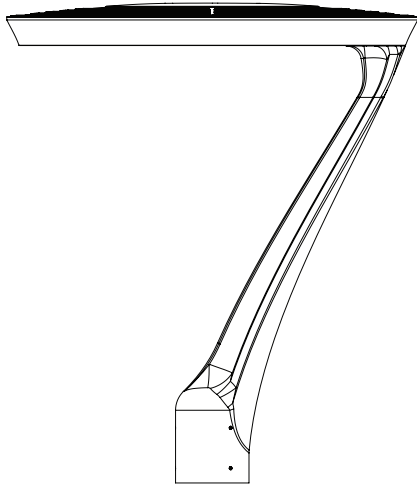


Dimensions

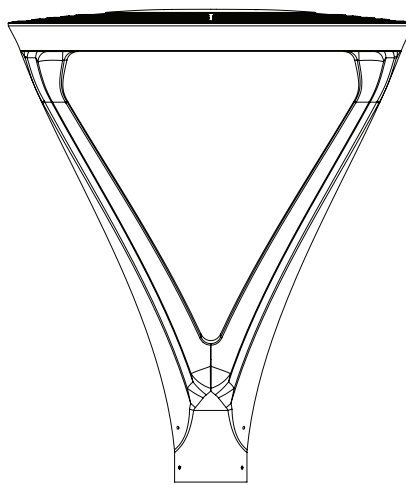
Width:	LSO-L	31"
Depth:	LSO-L	31"
Height:	LSO-L	33"
Weight (Single):	LSO-L	48 lbs
Weight (Double):	LSO-L	54 lbs



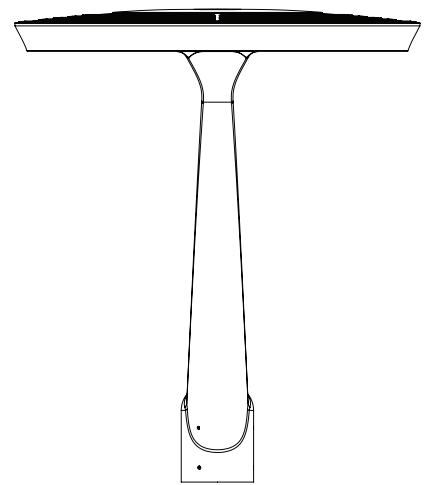
TOP VIEW



FRONT VIEW (SINGLE)



FRONT VIEW (DOUBLE)

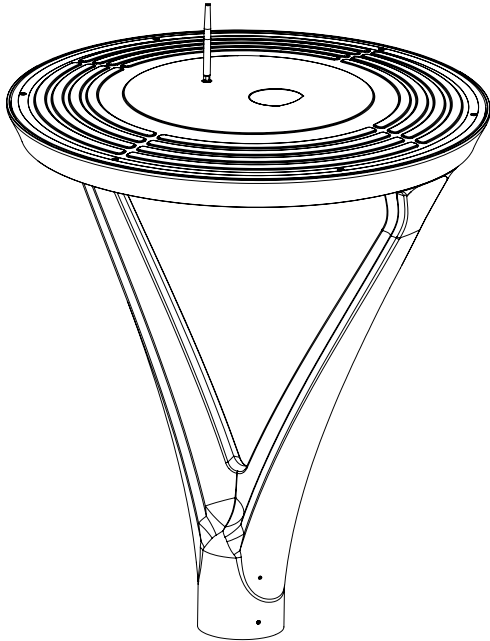


RIGHT VIEW

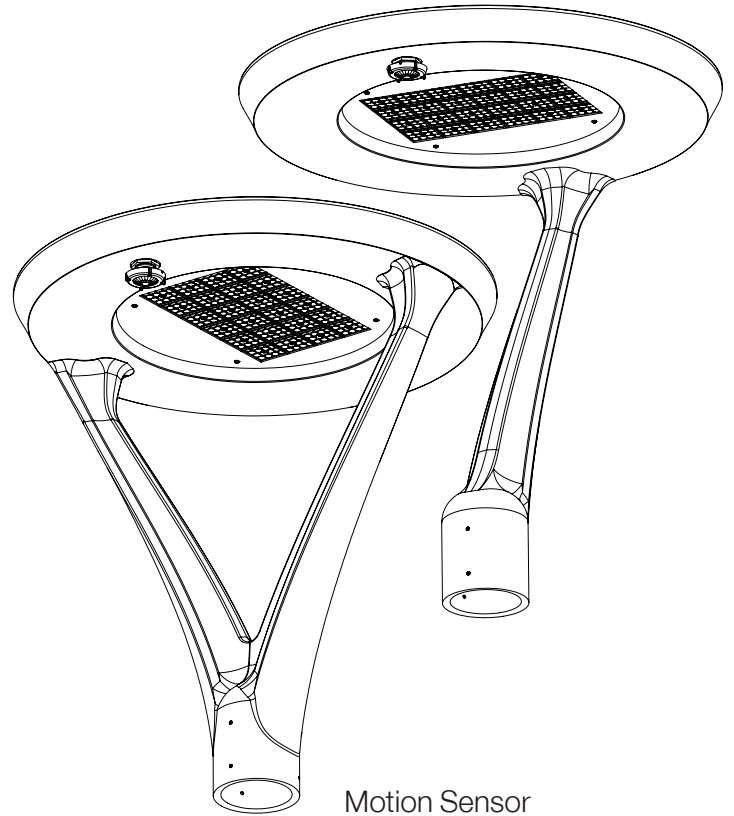
ELECTRICAL LOAD (A)							
Ordering Nomenclature	System Watts	120	208	240	277	347	480
LSO-L-T5LS-25L	202	1.68	0.97	0.84	0.73	0.58	0.42
LSO-L-T5LS-30L	234	1.95	1.13	0.98	0.84	0.67	0.49
LSO-L-T5LS-35L	278	2.32	1.34	1.16	1.00	0.80	0.58
LSO-L-T5LS-40L	321	2.68	1.54	1.34	1.16	0.93	0.67
LSO-L-T5LS-45L	342	2.85	1.64	1.43	1.23	0.99	0.71
LSO-L-T5LS-50L	377	3.14	1.81	1.57	1.36	1.09	0.79
LSO-L-T5LS-55L	408	3.40	1.96	1.70	1.47	1.18	0.85



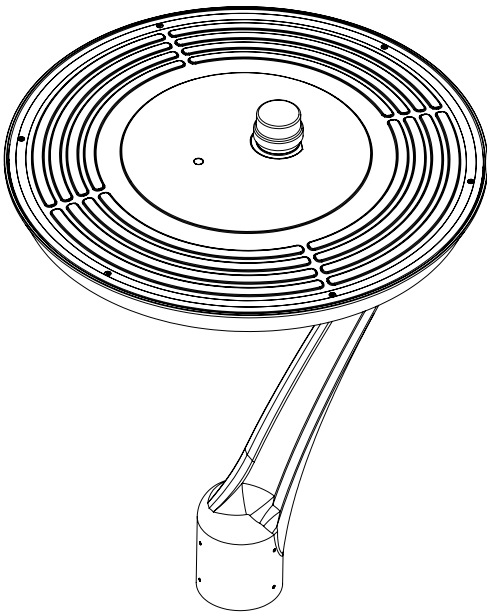
LSO-L-PT Options



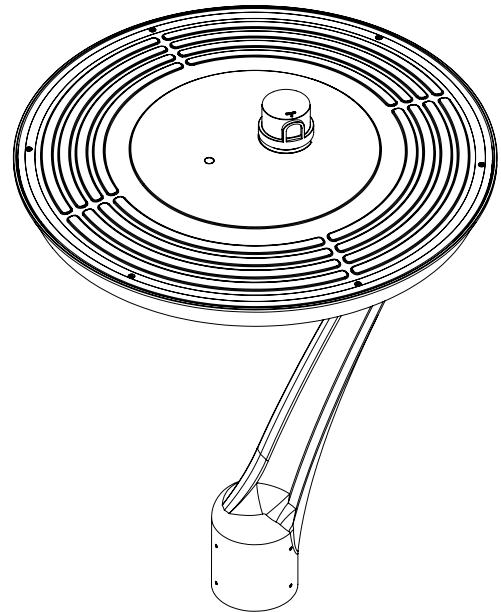
Visionaire Wireless Controls



Motion Sensor



3, 5 or 7 Pin Photo Receptacle w/shorting cap



Photocell & Receptacle

LUSSO ARRAY L-PT LED Specifications

LUSSO LARGE POST TOP SINGLE - 3K LUMEN DATA													
# LEDs	Current (mA)	K Lumens	T1	T2	T3	T3L	T4	T4A	T4L	T5LR	T5LS	T5SR	Wattage
64AR	1050	25L	24097	24368	23722	21072	23352	24258	21287	23002	23715	24618	205
64AR	1200	30L	26874	27177	26456	23500	26043	27053	23740	25653	26448	27456	232
64AR	1400	35L	30866	31213	30385	26991	29911	31071	27266	29462	30375	31533	272
90AR	1300	40L	36571	36982	36002	31980	35440	36814	32306	34908	35990	37362	309
96AR	1200	45L	39770	40217	39151	34777	38540	40034	35131	37962	39138	40630	332
96AR	1300	50L	42545	43024	41883	37204	41229	42828	37583	40611	41870	43465	367
96AR	1400	55L	45584	46097	44874	39861	44174	45887	40267	43511	44860	46570	397
LUSSO LARGE POST TOP SINGLE - 4K LUMEN DATA													
# LEDs	Current (mA)	K Lumens	T1	T2	T3	T3L	T4	T4A	T4L	T5LR	T5LS	T5SR	Wattage
64AR	1050	25L	26025	26318	25620	22758	25220	26199	22990	24842	25612	26588	205
64AR	1200	30L	29025	29351	28573	25381	28127	29218	25639	27705	28564	29652	232
64AR	1400	35L	33335	33710	32816	29150	32304	33557	29447	31820	32806	34056	272
80AR	1300	40L	39497	39941	38882	34538	38275	39760	34890	37701	38870	40351	309
96AR	1200	45L	42952	43435	42283	37559	41623	43237	37942	40999	42270	43881	332
96AR	1300	50L	45949	46466	45234	40180	44528	46255	40590	43860	45220	46943	367
96AR	1400	55L	49231	49785	48465	43050	47708	49558	43489	46993	48449	50296	397
LUSSO LARGE POST TOP SINGLE - 5K LUMEN DATA													
# LEDs	Current (mA)	K Lumens	T1	T2	T3	T3L	T4	T4A	T4L	T5LR	T5LS	T5SR	Wattage
64AR	1050	25L	26673	26973	26258	23324	25848	26850	23562	25460	26249	27250	205
64AR	1200	30L	29747	30081	29284	26012	28827	29945	26277	28394	29274	30390	232
64AR	1400	35L	34164	34549	33633	29875	33108	34392	30180	32611	33622	34903	272
80AR	1300	40L	40480	40935	39849	35398	39228	40749	35759	38639	39837	41355	309
96AR	1200	45L	44020	44516	43335	38494	42659	44313	38886	42019	43321	44972	332
96AR	1300	50L	47092	47622	46359	41180	45636	47406	41600	44951	46345	48111	367
96AR	1400	55L	50456	51023	49670	44121	48895	50791	44571	48162	49655	51547	397
LUSSO LARGE POST TOP SINGLE - 3K LUMEN PER WATT DATA													
# LEDs	Current (mA)	K Lumens	T1	T2	T3	T3L	T4	T4A	T4L	T5LR	T5LS	T5SR	Wattage
64AR	1050	25L	117	119	116	103	114	118	104	112	116	120	205
64AR	1200	30L	116	117	114	101	112	117	102	111	114	118	232
64AR	1400	35L	113	115	112	99	110	114	100	108	112	116	272
80AR	1300	40L	118	120	116	103	115	119	105	113	116	121	309
96AR	1200	45L	118	119	116	103	114	119	104	113	116	121	332
96AR	1300	50L	116	117	114	101	112	117	102	111	114	119	367
96AR	1400	55L	115	116	113	101	111	116	102	110	113	117	397
LUSSO LARGE POST TOP SINGLE - 4K LUMEN PER WATT DATA													
# LEDs	Current (mA)	K Lumens	T1	T2	T3	T3L	T4	T4A	T4L	T5LR	T5LS	T5SR	Wattage
64AR	1050	25L	127	128	125	111	123	128	112	121	125	130	205
64AR	1200	30L	125	127	123	109	121	126	111	119	123	128	232
64AR	1400	35L	122	124	121	107	119	123	108	117	120	125	272
80AR	1300	40L	128	129	126	112	124	129	113	122	126	131	309
96AR	1200	45L	127	129	126	111	124	128	113	122	125	130	332
96AR	1300	50L	125	127	123	110	121	126	111	120	123	128	367
96AR	1400	55L	124	126	122	109	120	125	110	119	122	127	397
LUSSO LARGE POST TOP SINGLE - 5K LUMEN PER WATT DATA													
# LEDs	Current (mA)	K Lumens	T1	T2	T3	T3L	T4	T4A	T4L	T5LR	T5LS	T5SR	Wattage
64AR	1050	25L	130	132	128	114	126	131	115	124	128	133	205
64AR	1200	30L	128	130	126	112	124	129	113	122	126	131	232
64AR	1400	35L	125	127	124	110	122	126	111	120	123	128	272
80AR	1300	40L	131	132	129	115	127	132	116	125	129	134	309
96AR	1200	45L	131	132	129	114	127	132	115	125	129	133	332
96AR	1300	50L	128	130	126	112	124	129	113	123	126	131	367
96AR	1400	55L	127	129	125	111	123	128	112	121	125	130	397

LED Specifications **LUSSO ARRAY L-PT**

LUSSO LARGE POST TOP SINGLE - 3K BUG CHART																																				
# LEDs	Current (mA)	K Lumens	T1			T2			T3			T3L			T4			T4A			T4L			T5LR			T5LS			T5SR			Wattage			
			B	U	G	B	U	G	B	U	G	B	U	G	B	U	G	B	U	G	B	U	G	B	U	G	B	U	G	B	U	G				
64AR	1050	25L	4	0	4	3	0	3	3	0	3	4	0	4	3	0	3	3	0	3	3	0	3	4	0	4	5	0	5	4	0	4	205			
64AR	1200	30L	5	0	5	3	0	3	3	0	3	4	0	4	3	0	3	3	0	3	3	0	3	4	0	4	5	0	5	5	0	5	4	0	4	232
64AR	1400	35L	5	0	5	4	0	4	3	0	4	4	0	4	4	0	4	4	0	4	4	0	3	4	0	4	5	0	5	5	0	5	5	0	5	272
80AR	1300	40L	5	0	5	4	0	4	4	0	4	4	0	5	4	0	4	4	0	4	4	0	4	4	0	4	5	0	5	5	0	5	5	0	5	309
96AR	1200	45L	5	0	5	4	0	4	4	0	4	4	0	5	4	0	4	4	0	4	4	0	4	4	0	4	5	0	5	5	0	5	5	0	5	332
96AR	1300	50L	5	0	5	4	0	4	4	0	4	4	0	5	4	0	4	4	0	4	4	0	4	4	0	4	5	0	5	5	0	5	5	0	5	367
96AR	1400	55L	5	0	5	4	0	4	4	0	5	4	0	5	4	0	4	4	0	4	4	0	4	4	0	5	5	0	5	5	0	5	5	0	5	397
LUSSO LARGE POST TOP SINGLE - 4K BUG CHART																																				
# LEDs	Current (mA)	K Lumens	T1			T2			T3			T3L			T4			T4A			T4L			T5LR			T5LS			T5SR			Wattage			
			B	U	G	B	U	G	B	U	G	B	U	G	B	U	G	B	U	G	B	U	G	B	U	G	B	U	G	B	U	G				
64AR	1050	25L	4	0	4	3	0	3	3	0	3	4	0	4	3	0	3	3	0	3	3	0	3	4	0	4	5	0	5	5	0	5	4	0	4	205
64AR	1200	30L	5	0	5	4	0	4	3	0	4	4	0	4	3	0	3	4	0	3	4	0	3	4	0	4	5	0	5	5	0	5	5	0	5	232
64AR	1400	35L	5	0	5	4	0	4	4	0	4	4	0	4	4	0	4	4	0	3	4	0	4	4	0	4	5	0	5	5	0	5	5	0	5	272
80AR	1300	40L	5	0	5	4	0	4	4	0	4	4	0	5	4	0	4	4	0	4	4	0	4	4	0	4	5	0	5	5	0	5	5	0	5	309
96AR	1200	45L	5	0	5	4	0	4	4	0	4	4	0	5	4	0	4	4	0	4	4	0	4	4	0	5	5	0	5	5	0	5	5	0	5	332
96AR	1300	50L	5	0	5	4	0	4	4	0	5	4	0	5	4	0	4	4	0	4	4	0	4	4	0	5	5	0	5	5	0	5	5	0	5	367
96AR	1400	55L	5	0	5	4	0	4	4	0	5	5	0	5	4	0	4	5	0	4	4	0	5	5	0	5	5	0	5	5	0	5	5	0	5	397
LUSSO LARGE POST TOP SINGLE - 5K BUG CHART																																				
# LEDs	Current (mA)	K Lumens	T1			T2			T3			T3L			T4			T4A			T4L			T5LR			T5LS			T5SR			Wattage			
			B	U	G	B	U	G	B	U	G	B	U	G	B	U	G	B	U	G	B	U	G	B	U	G	B	U	G	B	U	G				
64AR	1050	25L	5	0	5	3	0	3	3	0	3	4	0	4	3	0	3	3	0	3	3	0	3	4	0	4	5	0	5	5	0	5	4	0	4	205
64AR	1200	30L	5	0	5	4	0	4	3	0	4	4	0	4	3	0	3	4	0	3	4	0	3	4	0	4	5	0	5	5	0	5	5	0	5	232
64AR	1400	35L	5	0	5	4	0	4	4	0	4	4	0	4	4	0	4	4	0	3	4	0	4	4	0	4	5	0	5	5	0	5	5	0	5	272
80AR	1300	40L	5	0	5	4	0	4	4	0	4	4	0	5	4	0	4	4	0	4	4	0	4	4	0	4	5	0	5	5	0	5	5	0	5	309
96AR	1200	45L	5	0	5	4	0	4	4	0	5	4	0	5	4	0	4	4	0	4	4	0	4	4	0	5	5	0	5	5	0	5	5	0	5	332
96AR	1300	50L	5	0	5	4	0	4	4	0	5	5	0	5	4	0	4	4	0	4	4	0	4	4	0	5	5	0	5	5	0	5	5	0	5	367
96AR	1400	55L	5	0	5	4	0	4	4	0	5	5	0	5	4	0	5	5	0	4	4	0	5	5	0	5	5	0	5	5	0	5	5	0	5	397

LUSSO ARRAY L-PT LED Specifications

LUSSO LARGE POST TOP DOUBLE - 3K LUMEN DATA													
# LEDs	Current (mA)	K Lumens	T1	T2	T3	T3L	T4	T4A	T4L	T5LR	T5LS	T5SR	Wattage
64AR	1050	25L	24483	23747	23407	21263	22826	24451	21419	23628	24319	24774	205
64AR	1200	30L	27304	26484	26104	23713	25456	27269	23887	26351	27121	27629	232
64AR	1400	35L	31359	30417	29981	27235	29237	31319	27434	30265	31149	31732	272
90AR	1300	40L	37155	36039	35523	32269	34641	37108	32505	35859	36907	37598	309
96AR	1200	45L	40405	39192	38630	35091	37671	40354	35349	38995	40135	40886	332
96AR	1300	50L	43225	41927	41326	37540	40300	43170	37815	41717	42936	43739	367
96AR	1400	55L	46312	44921	44278	40221	43178	46253	40516	44696	46002	46864	397
LUSSO LARGE POST TOP DOUBLE - 4K LUMEN DATA													
# LEDs	Current (mA)	K Lumens	T1	T2	T3	T3L	T4	T4A	T4L	T5LR	T5LS	T5SR	Wattage
64AR	1050	25L	26441	25647	25280	22964	24652	26407	23132	25519	26264	26756	205
64AR	1200	30L	29489	28603	28193	25610	27493	29451	25798	28460	29291	29839	232
64AR	1400	35L	33868	32850	32380	29414	31576	33824	29629	32686	33641	34271	272
80AR	1300	40L	40128	38923	38365	34851	37412	40077	35106	38728	39860	40606	309
96AR	1200	45L	43638	42327	41721	37899	40685	43582	38177	42115	43346	44158	332
96AR	1300	50L	46684	45281	44633	40544	43524	46624	40841	45054	46371	47239	367
96AR	1400	55L	50018	48515	47821	43440	46633	49954	43758	48273	49683	50613	397
LUSSO LARGE POST TOP DOUBLE - 5K LUMEN DATA													
# LEDs	Current (mA)	K Lumens	T1	T2	T3	T3L	T4	T4A	T4L	T5LR	T5LS	T5SR	Wattage
64AR	1050	25L	27099	26285	25909	23535	25265	27065	23708	26154	26918	27422	205
64AR	1200	30L	30222	29314	28894	26247	28177	30183	26440	29168	30020	30582	232
64AR	1400	35L	34711	33668	33186	30145	32361	34666	30367	33499	34478	35124	272
80AR	1300	40L	41127	39891	39320	35718	38343	41074	35980	39692	40851	41616	309
96AR	1200	45L	44724	43380	42759	38842	41697	44667	39127	43163	44425	45256	332
96AR	1300	50L	47845	46408	45743	41552	44607	47784	41857	46175	47525	48414	367
96AR	1400	55L	51262	49722	49010	44520	47793	51197	44847	49474	50919	51872	397
LUSSO LARGE POST TOP DOUBLE - 3K LUMEN PER WATT DATA													
# LEDs	Current (mA)	K Lumens	T1	T2	T3	T3L	T4	T4A	T4L	T5LR	T5LS	T5SR	Wattage
64AR	1050	25L	119	116	114	104	111	119	104	115	119	121	205
64AR	1200	30L	118	114	113	102	110	118	103	114	117	119	232
64AR	1400	35L	115	112	110	100	107	115	101	111	114	117	272
80AR	1300	40L	120	117	115	104	112	120	105	116	119	122	309
96AR	1200	45L	120	116	115	104	112	120	105	116	119	121	332
96AR	1300	50L	118	114	113	102	110	118	103	114	117	119	367
96AR	1400	55L	117	113	112	101	109	117	102	113	116	118	397
LUSSO LARGE POST TOP DOUBLE - 4K LUMEN PER WATT DATA													
# LEDs	Current (mA)	K Lumens	T1	T2	T3	T3L	T4	T4A	T4L	T5LR	T5LS	T5SR	Wattage
64AR	1050	25L	129	125	123	112	120	129	113	124	128	130	205
64AR	1200	30L	127	123	122	110	119	127	111	123	126	129	232
64AR	1400	35L	124	121	119	108	116	124	109	120	124	126	272
80AR	1300	40L	130	126	124	113	121	130	114	125	129	131	309
96AR	1200	45L	130	126	124	112	121	129	113	125	129	131	332
96AR	1300	50L	127	123	122	111	119	127	111	123	126	129	367
96AR	1400	55L	126	122	121	110	118	126	110	122	125	128	397
LUSSO LARGE POST TOP DOUBLE - 5K LUMEN PER WATT DATA													
# LEDs	Current (mA)	K Lumens	T1	T2	T3	T3L	T4	T4A	T4L	T5LR	T5LS	T5SR	Wattage
64AR	1050	25L	132	128	126	115	123	132	116	128	131	134	205
64AR	1200	30L	130	126	125	113	121	130	114	126	129	132	232
64AR	1400	35L	127	124	122	111	119	127	112	123	127	129	272
80AR	1300	40L	133	129	127	116	124	133	116	128	132	135	309
96AR	1200	45L	133	129	127	115	124	133	116	128	132	134	332
96AR	1300	50L	130	127	125	113	122	130	114	126	130	132	367
96AR	1400	55L	129	125	124	112	121	129	113	125	128	131	397

LED Specifications **LUSSO ARRAY L-PT**

LUSSO LARGE POST TOP DOUBLE - 3K BUG CHART																																	
# LEDs	Current (mA)	K Lumens	T1			T2			T3			T3L			T4			T4A			T4L			T5LR			T5LS			T5SR			Wattage
			B	U	G	B	U	G	B	U	G	B	U	G	B	U	G	B	U	G	B	U	G	B	U	G	B	U	G	B	U	G	
64AR	1050	25L	5	0	5	3	0	3	3	0	3	4	0	4	3	0	3	3	0	3	4	0	4	5	0	5	5	0	5	4	0	4	205
64AR	1200	30L	5	0	5	4	0	4	3	0	3	4	0	4	4	0	4	3	0	3	4	0	4	5	0	5	5	0	5	5	0	5	232
64AR	1400	35L	5	0	5	4	0	4	4	0	4	4	0	4	4	0	4	4	0	3	4	0	4	5	0	5	5	0	5	5	0	5	272
80AR	1300	40L	5	0	5	4	0	4	4	0	4	4	0	5	4	0	4	4	0	4	4	0	4	5	0	5	5	0	5	5	0	5	309
96AR	1200	45L	5	0	5	4	0	4	4	0	4	4	0	5	4	0	4	4	0	4	4	0	5	5	0	5	5	0	5	5	0	5	332
96AR	1300	50L	5	0	5	4	0	4	4	0	4	4	0	5	4	0	4	4	0	4	4	0	5	5	0	5	5	0	5	5	0	5	367
96AR	1400	55L	5	0	5	4	0	4	4	0	5	5	0	5	4	0	4	4	0	4	4	0	5	5	0	5	5	0	5	5	0	5	397
LUSSO LARGE POST TOP DOUBLE - 4K BUG CHART																																	
# LEDs	Current (mA)	K Lumens	T1			T2			T3			T3L			T4			T4A			T4L			T5LR			T5LS			T5SR			Wattage
			B	U	G	B	U	G	B	U	G	B	U	G	B	U	G	B	U	G	B	U	G	B	U	G	B	U	G	B	U	G	
64AR	1050	25L	5	0	5	4	0	4	3	0	3	4	0	4	3	0	3	3	0	3	4	0	4	5	0	5	5	0	5	5	0	5	205
64AR	1200	30L	5	0	5	4	0	4	4	0	4	4	0	4	4	0	4	4	0	3	4	0	4	5	0	5	5	0	5	5	0	5	232
64AR	1400	35L	5	0	5	4	0	4	4	0	4	4	0	5	4	0	4	4	0	4	4	0	4	5	0	5	5	0	5	5	0	5	272
80AR	1300	40L	5	0	5	4	0	4	4	0	4	4	0	5	4	0	4	4	0	4	4	0	4	5	0	5	5	0	5	5	0	5	309
96AR	1200	45L	5	0	5	4	0	4	4	0	4	4	0	5	4	0	4	4	0	4	4	0	5	5	0	5	5	0	5	5	0	5	332
96AR	1300	50L	5	0	5	4	0	4	4	0	5	5	0	5	4	0	4	4	0	4	4	0	5	5	0	5	5	0	5	5	0	5	367
96AR	1400	55L	5	0	5	5	0	4	4	0	5	5	0	5	5	0	5	5	0	4	5	0	5	5	0	5	5	0	5	5	0	5	397
LUSSO LARGE POST TOP DOUBLE - 5K BUG CHART																																	
# LEDs	Current (mA)	K Lumens	T1			T2			T3			T3L			T4			T4A			T4L			T5LR			T5LS			T5SR			Wattage
			B	U	G	B	U	G	B	U	G	B	U	G	B	U	G	B	U	G	B	U	G	B	U	G	B	U	G	B	U	G	
64AR	1050	25L	5	0	5	4	0	4	3	0	3	4	0	4	4	0	4	3	0	3	4	0	4	5	0	5	5	0	5	5	0	5	205
64AR	1200	30L	5	0	5	4	0	4	4	0	4	4	0	4	4	0	4	4	0	3	4	0	4	5	0	5	5	0	5	5	0	5	232
64AR	1400	35L	5	0	5	4	0	4	4	0	4	4	0	5	4	0	4	4	0	4	4	0	4	5	0	5	5	0	5	5	0	5	272
80AR	1300	40L	5	0	5	4	0	4	4	0	4	4	0	5	4	0	4	4	0	4	4	0	4	5	0	5	5	0	5	5	0	5	309
96AR	1200	45L	5	0	5	4	0	4	4	0	4	5	0	5	4	0	4	4	0	4	4	0	5	5	0	5	5	0	5	5	0	5	332
96AR	1300	50L	5	0	5	4	0	4	4	0	5	5	0	5	4	0	4	5	0	4	5	0	5	5	0	5	5	0	5	5	0	5	367
96AR	1400	55L	5	0	5	5	0	5	4	0	5	5	0	5	5	0	5	5	0	4	5	0	5	5	0	5	5	0	5	5	0	5	397

LUSSO ARRAY L-PT LED Specifications

LUSSO ARRAY L-PTS-HS 3K LUMEN CHART													
#LEDs	Current (mA)	K Lumens	T1	T2	T3	T3L	T4	T4A	T4L	T5LR	T5LS	T5SR	Watts
64AR	1050	25L	20417	20951	19716	17365	18789	22013	16188	17999	18426	19702	205
64AR	1200	30L	22770	23366	21988	19366	20955	24550	18053	20073	20550	21972	232
64AR	1400	35L	26151	26836	25253	22242	24067	28196	20734	23054	23602	25235	272
80AR	1300	40L	30985	31796	29921	26353	28515	33408	24567	27315	27964	29900	309
96AR	1200	45L	33696	34578	32539	28658	31010	36330	26716	29705	30410	32515	337
96AR	1300	50L	36047	36991	34809	30658	33174	38865	28580	31777	32532	34785	367
96AR	1400	55L	38622	39633	37296	32848	35543	41641	30622	34047	34856	37269	397
LUSSO ARRAY L-PTS-HS 4K LUMEN CHART													
#LEDs	Current (mA)	K Lumens	T1	T2	T3	T3L	T4	T4A	T4L	T5LR	T5LS	T5SR	Watts
64AR	1050	25L	22051	22628	21293	18754	20293	23775	17483	19439	19901	21278	205
64AR	1200	30L	24592	25235	23747	20915	22631	26514	19498	21679	22194	23730	232
64AR	1400	35L	28244	28983	27274	24022	25992	30452	22393	24898	25490	27255	272
80AR	1300	40L	33465	34340	32315	28462	30797	36081	26533	29501	30202	32292	309
96AR	1200	45L	36392	37344	35142	30951	33491	39237	28854	32081	32843	35117	337
96AR	1300	50L	38931	39950	37594	33111	35828	41975	30867	34320	35135	37568	367
96AR	1400	55L	41712	42804	40280	35476	38387	44973	33072	36771	37645	40251	397
LUSSO ARRAY L-PTS-HS 5K LUMEN CHART													
#LEDs	Current (mA)	K Lumens	T1	T2	T3	T3L	T4	T4A	T4L	T5LR	T5LS	T5SR	Watts
64AR	1050	25L	22599	23191	21823	19221	20798	24366	17918	19922	20396	21808	205
64AR	1200	30L	25203	25863	24338	21436	23194	27174	19983	22218	22746	24321	232
64AR	1400	35L	28946	29704	27952	24619	26639	31210	22951	25518	26124	27933	272
80AR	1300	40L	34297	35195	33119	29170	31563	36979	27193	30235	30953	33096	309
96AR	1200	45L	37297	38273	36016	31721	34324	40213	29571	32879	33660	35991	337
96AR	1300	50L	39900	40944	38530	33935	36719	43019	31635	35174	36009	38502	367
96AR	1400	55L	42750	43869	41282	36359	39342	46092	33895	37686	38581	41252	397
LUSSO ARRAY L-PTS-HS 3K LUMEN PER WATT CHART													
#LEDs	Current (mA)	K Lumens	T1	T2	T3	T3L	T4	T4A	T4L	T5LR	T5LS	T5SR	Watts
64AR	1050	25L	100	102	96	85	92	107	79	88	90	96	205
64AR	1200	30L	98	101	95	83	90	106	78	87	89	95	232
64AR	1400	35L	96	99	93	82	88	104	76	85	87	93	272
80AR	1300	40L	100	103	97	85	92	108	79	88	90	97	309
96AR	1200	45L	100	103	97	85	92	108	79	88	90	97	337
96AR	1300	50L	98	101	95	84	90	106	78	87	89	95	367
96AR	1400	55L	97	100	94	83	90	105	77	86	88	94	397
LUSSO ARRAY L-PTS-HS 4K LUMEN PER WATT CHART													
#LEDs	Current (mA)	K Lumens	T1	T2	T3	T3L	T4	T4A	T4L	T5LR	T5LS	T5SR	Watts
64AR	1050	25L	108	110	104	91	99	116	85	95	97	104	205
64AR	1200	30L	106	109	102	90	98	114	84	93	96	102	232
64AR	1400	35L	104	106	100	88	95	112	82	91	94	100	272
80AR	1300	40L	108	111	105	92	100	117	86	95	98	104	309
96AR	1200	45L	108	111	104	92	99	116	86	95	97	104	337
96AR	1300	50L	106	109	103	90	98	114	84	94	96	102	367
96AR	1400	55L	105	108	102	89	97	113	83	93	95	102	397
LUSSO ARRAY L-PTS-HS 5K LUMEN PER WATT CHART													
#LEDs	Current (mA)	K Lumens	T1	T2	T3	T3L	T4	T4A	T4L	T5LR	T5LS	T5SR	Watts
64AR	1050	25L	110	113	106	94	101	119	87	97	99	106	205
64AR	1200	30L	109	111	105	92	100	117	86	96	98	105	232
64AR	1400	35L	106	109	103	90	98	115	84	94	96	103	272
80AR	1300	40L	111	114	107	94	102	120	88	98	100	107	309
96AR	1200	45L	111	114	107	94	102	119	88	98	100	107	337
96AR	1300	50L	109	112	105	93	100	117	86	96	98	105	367
96AR	1400	55L	108	111	104	92	99	116	85	95	97	104	397

LED Specifications **LUSSO ARRAY L-PT**

LUSSO ARRAY L-PTS-HS 3K BUG CHART																																	
#LEDs	Current (mA)	K Lumens	T1			T2			T3			T3L			T4			T4A			T4L			T5LR			T5LS			T5SR			Watts
			B	U	G	B	U	G	B	U	G	B	U	G	B	U	G	B	U	G	B	U	G	B	U	G	B	U	G	B	U	G	
64AR	1050	25L	3	0	3	3	0	2	3	0	3	3	0	4	3	0	3	3	0	2	2	0	3	3	0	3	3	0	3	3	0	3	205
64AR	1200	30L	3	0	3	3	0	3	3	0	3	3	0	4	3	0	3	3	0	2	3	0	3	3	0	3	3	0	3	3	0	3	232
64AR	1400	35L	4	0	3	3	0	3	3	0	4	3	0	4	3	0	3	3	0	2	3	0	4	3	0	3	3	0	4	4	0	3	272
80AR	1300	40L	4	0	4	3	0	3	3	0	4	3	0	5	3	0	4	4	0	3	3	0	4	4	0	4	4	0	4	4	0	3	309
96AR	1200	45L	4	0	4	4	0	3	3	0	4	3	0	5	3	0	4	4	0	3	3	0	4	4	0	4	4	0	4	4	0	4	337
96AR	1300	50L	4	0	4	4	0	4	4	0	4	3	0	5	4	0	4	4	0	3	3	0	5	4	0	4	4	0	4	4	0	4	367
96AR	1400	55L	4	0	4	4	0	4	4	0	4	3	0	5	4	0	4	4	0	3	3	0	5	4	0	4	4	0	4	4	0	4	397
LUSSO ARRAY L-PTS-HS 4K BUG CHART																																	
#LEDs	Current (mA)	K Lumens	T1			T2			T3			T3L			T4			T4A			T4L			T5LR			T5LS			T5SR			Watts
			B	U	G	B	U	G	B	U	G	B	U	G	B	U	G	B	U	G	B	U	G	B	U	G	B	U	G	B	U	G	
64AR	1050	25L	3	0	3	3	0	3	3	0	3	3	0	4	3	0	3	3	0	2	3	0	3	3	0	3	3	0	3	3	0	3	205
64AR	1200	30L	4	0	3	3	0	3	3	0	3	3	0	4	3	0	3	3	0	2	3	0	4	3	0	3	3	0	3	4	0	3	232
64AR	1400	35L	4	0	3	3	0	3	3	0	4	3	0	4	3	0	3	3	0	3	3	0	4	3	0	4	4	0	4	4	0	3	272
80AR	1300	40L	4	0	4	4	0	3	3	0	4	3	0	5	3	0	4	4	0	3	3	0	4	4	0	4	4	0	4	4	0	4	309
96AR	1200	45L	4	0	4	4	0	4	4	0	4	3	0	5	4	0	4	4	0	3	3	0	5	4	0	4	4	0	4	4	0	4	337
96AR	1300	50L	4	0	4	4	0	4	4	0	4	3	0	5	4	0	4	4	0	3	3	0	5	4	0	4	4	0	4	4	0	4	367
96AR	1400	55L	5	0	4	4	0	4	4	0	5	4	0	5	4	0	4	4	0	4	4	0	5	4	0	5	4	0	5	5	0	4	397
LUSSO ARRAY L-PTS-HS 5K BUG CHART																																	
#LEDs	Current (mA)	K Lumens	T1			T2			T3			T3L			T4			T4A			T4L			T5LR			T5LS			T5SR			Watts
			B	U	G	B	U	G	B	U	G	B	U	G	B	U	G	B	U	G	B	U	G	B	U	G	B	U	G	B	U	G	
64AR	1050	25L	3	0	3	3	0	3	3	0	3	3	0	4	3	0	3	3	0	2	3	0	3	3	0	3	3	0	3	3	0	3	205
64AR	1200	30L	4	0	3	3	0	3	3	0	3	3	0	4	3	0	3	3	0	2	3	0	4	3	0	3	3	0	3	4	0	3	232
64AR	1400	35L	4	0	3	3	0	3	3	0	4	3	0	4	3	0	4	3	0	3	3	0	4	3	0	4	4	0	4	4	0	3	272
80AR	1300	40L	4	0	4	4	0	4	3	0	4	3	0	5	3	0	4	4	0	3	3	0	4	4	0	4	4	0	4	4	0	4	309
96AR	1200	45L	4	0	4	4	0	4	4	0	4	3	0	5	4	0	4	4	0	3	3	0	5	4	0	4	4	0	4	4	0	4	337
96AR	1300	50L	5	0	4	4	0	4	4	0	4	3	0	5	4	0	4	4	0	3	3	0	5	4	0	4	4	0	4	5	0	4	367
96AR	1400	55L	5	0	4	4	0	4	4	0	5	4	0	5	4	0	4	4	0	4	4	0	5	4	0	5	4	0	5	5	0	4	397

LUSSO ARRAY L-PT LED Specifications

LUSSO ARRAY L-PTD-HS 3K LUMEN CHART													
#LEDs	Current (mA)	K Lumens	T1	T2	T3	T3L	T4	T4A	T4L	T5LR	T5LS	T5SR	Watts
64AR	1050	25L	20366	20046	19100	17203	18032	21785	15992	18153	18552	19466	205
64AR	1200	30L	22713	22356	21301	19186	20110	24296	17835	20245	20690	21709	232
64AR	1400	35L	26086	25676	24465	22035	23096	27904	20483	23251	23762	24933	272
80AR	1300	40L	30908	30422	28987	26108	27366	33062	24270	27549	28155	29542	309
96AR	1200	45L	33612	33083	31522	28392	29759	35954	26392	29959	30617	32126	337
96AR	1300	50L	35957	35392	33722	30373	31836	38463	28234	32049	32754	34368	367
96AR	1400	55L	38526	37920	36131	32542	34110	41210	30251	34338	35094	36822	397
LUSSO ARRAY L-PTD-HS 4K LUMEN CHART													
#LEDs	Current (mA)	K Lumens	T1	T2	T3	T3L	T4	T4A	T4L	T5LR	T5LS	T5SR	Watts
64AR	1050	25L	21996	21650	20628	18580	19475	23529	17271	19605	20036	21023	205
64AR	1200	30L	24530	24145	23006	20721	21719	26240	19262	21864	22345	23446	232
64AR	1400	35L	28174	27730	26422	23798	24944	30137	22122	25111	25664	26928	272
80AR	1300	40L	33381	32856	31306	28197	29555	35708	26211	29753	30407	31905	309
96AR	1200	45L	36301	35730	34045	30663	32140	38831	28504	32356	33067	34696	337
96AR	1300	50L	38834	38224	36420	32803	34383	41541	30493	34614	35375	37117	367
96AR	1400	55L	41608	40954	39022	35146	36839	44508	32671	37086	37901	39769	397
LUSSO ARRAY L-PTD-HS 5K LUMEN CHART													
#LEDs	Current (mA)	K Lumens	T1	T2	T3	T3L	T4	T4A	T4L	T5LR	T5LS	T5SR	Watts
64AR	1050	25L	22543	22188	21142	19042	19959	24114	17701	20093	20535	21546	205
64AR	1200	30L	25141	24745	23578	21236	22259	26893	19741	22408	22901	24029	232
64AR	1400	35L	28874	28420	27080	24390	25565	30887	22673	25736	26302	27598	272
80AR	1300	40L	34212	33674	32085	28899	30291	36596	26864	30493	31164	32699	309
96AR	1200	45L	37204	36619	34892	31426	32940	39797	29213	33161	33890	35559	337
96AR	1300	50L	39801	39175	37326	33619	35239	42574	31252	35475	36255	38041	367
96AR	1400	55L	42643	41973	39992	36021	37756	45615	33484	38009	38844	40758	397
LUSSO ARRAY L-PTD-HS 3K LUMEN PER WATT CHART													
#LEDs	Current (mA)	K Lumens	T1	T2	T3	T3L	T4	T4A	T4L	T5LR	T5LS	T5SR	Watts
64AR	1050	25L	99	98	93	84	88	106	78	89	90	95	205
64AR	1200	30L	98	96	92	83	87	105	77	87	89	94	232
64AR	1400	35L	96	94	90	81	85	102	75	85	87	92	272
80AR	1300	40L	100	98	94	84	89	107	79	89	91	96	309
96AR	1200	45L	100	98	94	84	88	107	78	89	91	95	337
96AR	1300	50L	98	97	92	83	87	105	77	87	89	94	367
96AR	1400	55L	97	96	91	82	86	104	76	87	89	93	397
LUSSO ARRAY L-PTD-HS 4K LUMEN PER WATT CHART													
#LEDs	Current (mA)	K Lumens	T1	T2	T3	T3L	T4	T4A	T4L	T5LR	T5LS	T5SR	Watts
64AR	1050	25L	107	106	101	91	95	115	84	96	98	103	205
64AR	1200	30L	106	104	99	89	94	113	83	94	96	101	232
64AR	1400	35L	103	102	97	87	92	111	81	92	94	99	272
80AR	1300	40L	108	106	101	91	96	116	85	96	98	103	309
96AR	1200	45L	108	106	101	91	95	115	85	96	98	103	337
96AR	1300	50L	106	104	99	89	94	113	83	94	96	101	367
96AR	1400	55L	105	103	98	89	93	112	82	94	96	100	397
LUSSO ARRAY L-PTD-HS 5K LUMEN PER WATT CHART													
#LEDs	Current (mA)	K Lumens	T1	T2	T3	T3L	T4	T4A	T4L	T5LR	T5LS	T5SR	Watts
64AR	1050	25L	110	108	103	93	97	118	86	98	100	105	205
64AR	1200	30L	108	107	102	92	96	116	85	97	99	104	232
64AR	1400	35L	106	104	99	90	94	113	83	95	97	101	272
80AR	1300	40L	111	109	104	93	98	118	87	99	101	106	309
96AR	1200	45L	110	109	104	93	98	118	87	98	101	106	337
96AR	1300	50L	109	107	102	92	96	116	85	97	99	104	367
96AR	1400	55L	108	106	101	91	95	115	84	96	98	103	397

LED Specifications **LUSSO ARRAY L-PT**

LUSSO ARRAY L-PTD-HS 3K BUG CHART																																	
#LEDs	Current (mA)	K Lumens	T1			T2			T3			T3L			T4			T4A			T4L			T5LR			T5LS			T5SR			Watts
			B	U	G	B	U	G	B	U	G	B	U	G	B	U	G	B	U	G	B	U	G	B	U	G	B	U	G	B	U	G	
64AR	1050	25L	3	0	3	3	0	2	3	0	3	3	0	4	3	0	3	3	0	2	2	0	3	3	0	3	3	0	3	3	0	3	205
64AR	1200	30L	3	0	3	3	0	3	3	0	3	3	0	4	3	0	3	3	0	2	3	0	3	3	0	3	3	0	3	3	0	3	232
64AR	1400	35L	4	0	3	3	0	3	3	0	3	3	0	4	3	0	3	3	0	2	3	0	4	3	0	4	3	0	4	4	0	3	272
80AR	1300	40L	4	0	3	3	0	3	3	0	4	3	0	5	3	0	4	4	0	3	3	0	4	4	0	4	4	0	4	4	0	3	309
96AR	1200	45L	4	0	4	4	0	3	3	0	4	3	0	5	3	0	4	4	0	3	3	0	4	4	0	4	4	0	4	4	0	4	337
96AR	1300	50L	4	0	4	4	0	4	3	0	4	3	0	5	3	0	4	4	0	3	3	0	4	4	0	4	4	0	4	4	0	4	367
96AR	1400	55L	4	0	4	4	0	4	4	0	4	3	0	5	4	0	4	4	0	3	3	0	5	4	0	4	4	0	4	4	0	4	397
LUSSO ARRAY L-PTD-HS 4K BUG CHART																																	
#LEDs	Current (mA)	K Lumens	T1			T2			T3			T3L			T4			T4A			T4L			T5LR			T5LS			T5SR			Watts
			B	U	G	B	U	G	B	U	G	B	U	G	B	U	G	B	U	G	B	U	G	B	U	G	B	U	G	B	U	G	
64AR	1050	25L	3	0	3	3	0	3	3	0	3	3	0	4	3	0	3	3	0	2	3	0	3	3	0	3	3	0	3	3	0	3	205
64AR	1200	30L	4	0	3	3	0	3	3	0	3	3	0	4	3	0	3	3	0	2	3	0	4	3	0	3	3	0	3	4	0	3	232
64AR	1400	35L	4	0	3	3	0	3	3	0	4	3	0	4	3	0	3	3	0	3	3	0	4	3	0	4	4	0	4	4	0	3	272
80AR	1300	40L	4	0	4	4	0	3	3	0	4	3	0	5	3	0	4	4	0	3	3	0	4	4	0	4	4	0	4	4	0	4	309
96AR	1200	45L	4	0	4	4	0	4	3	0	4	3	0	5	3	0	4	4	0	3	3	0	4	4	0	4	4	0	4	4	0	4	337
96AR	1300	50L	4	0	4	4	0	4	4	0	4	3	0	5	4	0	4	4	0	3	3	0	5	4	0	4	4	0	4	4	0	4	367
96AR	1400	55L	5	0	4	4	0	4	4	0	4	4	0	5	4	0	4	4	0	4	3	0	5	4	0	5	4	0	5	5	0	4	397
LUSSO ARRAY L-PTD-HS 5K BUG CHART																																	
#LEDs	Current (mA)	K Lumens	T1			T2			T3			T3L			T4			T4A			T4L			T5LR			T5LS			T5SR			Watts
			B	U	G	B	U	G	B	U	G	B	U	G	B	U	G	B	U	G	B	U	G	B	U	G	B	U	G	B	U	G	
64AR	1050	25L	3	0	3	3	0	3	3	0	3	3	0	4	3	0	3	3	0	2	3	0	3	3	0	3	3	0	3	3	0	3	205
64AR	1200	30L	4	0	3	3	0	3	3	0	3	3	0	4	3	0	3	3	0	2	3	0	4	3	0	3	3	0	3	4	0	3	232
64AR	1400	35L	4	0	3	3	0	3	3	0	4	3	0	4	3	0	3	3	0	3	3	0	4	3	0	4	4	0	4	4	0	3	272
80AR	1300	40L	4	0	4	4	0	3	3	0	4	3	0	5	3	0	4	4	0	3	3	0	4	4	0	4	4	0	4	4	0	4	309
96AR	1200	45L	4	0	4	4	0	4	4	0	4	3	0	5	3	0	4	4	0	3	3	0	5	4	0	4	4	0	4	4	0	4	337
96AR	1300	50L	5	0	4	4	0	4	4	0	4	3	0	5	4	0	4	4	0	3	3	0	5	4	0	4	4	0	4	5	0	4	367
96AR	1400	55L	5	0	4	4	0	4	4	0	5	4	0	5	4	0	4	4	0	4	4	0	5	4	0	5	4	0	5	5	0	4	397