

PRE-2-M LED Specifications



Project Name:

Catalog Number:

Type:

Contemporary design meets the new generation of LED green technology in this stunning luminaire, the **PRE-2-M**. The PRE-2-M series provides up to fifty percent energy savings over traditional HID light sources; and offers excellent beam control and LED life beyond 100,000 hours for 350 milliamp systems. The PRE-2-M is offered in six optical distributions.

The PRE-2-M's fully-sealed housing features an exceptionally well-designed thermal management system that provides superior heat dissipation.

The PRE-2-M fixture is built with a cast aluminum housing, extruded aluminum arms and a spun aluminum, removable top.

The popular **PRE-2-M** is the perfect compliment to any university campus, business park, or walkway project where contemporary, architectural design is desired.

Ordering Information

MODEL	OPTICS	SOURCE	CURRENT	KELVIN	VOLTAGE	MOUNTING	FINISH	OPTIONS	OPTIONS
PRE-2-M	T1 T2 T3 T4 T5 T5W T5WR	16LC 32LC 48LC	3 350mA 5 530mA 7 700mA	3K 3000K 4K 4000K 5K 5000K	UNV 120-277V 8 347V 5 480V	PT Post Top *Slips over 3" OD tenon X 4.5" tall as standard	BZ Bronze BK Black SBK Smooth Black WH White SWH Smooth White GP Graphite GY Grey SL Silver Metallic CC Custom Color	PC-120 PC-208 PC-240 PC-277 Button Type Photocell WSC-8 Motion Sensor 8' Mounting Height WSC-20 Motion Sensor 9-20' Mounting Height WSC-40 Motion Sensor 21-40' Mounting Height This option will require (1) FSIR 100 remote for programming	DIM 0-10v Dimming Driver VWC Visionaire Wireless Controls *Consult Factory IR-(R, B, G Illuminated Rings (Red, Blue, Green) PER 3, 5, or 7 Pin Photo Receptacle w/shorting cap

Features & Specifications

PRE-2-M

Housing

The PRE-2-M's housing is constructed from durable, corrosion-resistant, cast aluminum. The spun aluminum top cap is .080 gauge, and easily removable for service. Silicone gasketing is provided for complete weather and insect protection.

Thermal Management

The PRE-2-M provides excellent overall thermal management by maximizing the efficiency of the heat sink in the fixture. This enables the PRE-2-M to withstand higher ambient temperatures and higher drive currents without degrading LED life.

Optical System

- The highest lumen output LEDs are utilized. High-performance acrylic optics feature industry leading Type 1, 2, 3, 4, 5, 5W and 5WR optical distributions. Acrylic optics are impact-resistant and rated to 94 percent translucence.
- L70 life of our LEDs is rated over 100,000 hours (for 350 mA), The optical system qualifies as IES full cutoff to restrict light trespass, glare and light pollution for neighborhood-friendly lighting. CRI values are 70.

Quali-Guard® Finish

- Fixture components are chemically pretreated through a multiple-stage washer, and finished with an electrostatically-applied, thermoset polyester powder coat textured paint with a 3 to 5 mils thickness.
- Finish is oven-baked at 400 °F for maximum adherence and finish hardness.
 - Available in standard and custom colors.
 - Finish is guaranteed for five (5) years.

Post Top Mount

The PRE-2-M contractor-friendly mounting hardware slips over 3" OD tenon X 4.5" tall as standard utilizing stainless steel hardware.

Electrical Assembly

- The PRE-2-M is supplied with a high-performance driver available in 350, 530 or 700. The driver is integrally-located in the housing, and is operational from 120 V through 480 V, 50 Hz to 60 Hz input.
- Power factor is 90%.
- Rated for -40o to 50° C operation.
- 10 kV surge protector supplied as standard.

Warranty

Five (5) year Limited Warranty on entire system, including finish. For full warranty information, please visit www.visionairelighting.com.

Options

- Button type photocell
 - 0-10v Dimming Driver
 - WattStopper FSP-211
 - Motion Sensor
 - Wireless Control
 - Illuminated Rings
 - Photo Receptacle
- Please consult factory for detailed custom options.

Listings

- PRE-2-M is cUL listed
- DLC Listed
- IDA Certification
- IP66 Rated
- LM79 and LM80
- Powder Coated Tough™

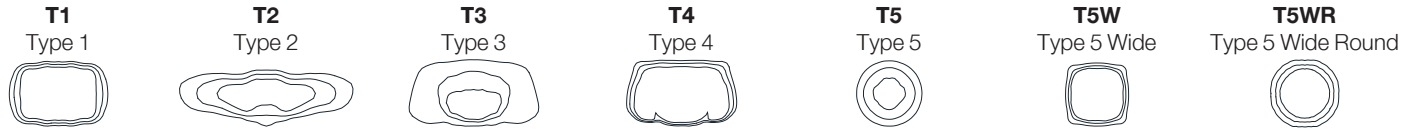


DesignLights Consortium (DLC) qualified Product. Some configurations of this product family may not be DesignLights Consortium (DLC) listed, please refer to the DLC qualified products list to confirm listed configurations. <http://www.designlights.org/>
3000K must be selected for IDA certification.

PRE-2-M - Electrical Load (A)							
Ordering Nomenclature	System Watts	120V	208V	240V	277V	347V	480V
PRE-2-M-T5-16LC-3-4K	18	0.15	0.09	0.08	0.06	0.05	0.04
PRE-2-M-T5-16LC-5-4K	26	0.22	0.13	0.11	0.09	0.07	0.05
PRE-2-M-T5-16LC-7-4K	39	0.33	0.19	0.16	0.14	0.11	0.08
PRE-2-M-T5-32LC-3-4K	35	0.29	0.17	0.15	0.13	0.10	0.07
PRE-2-M-T5-32LC-5-4K	56	0.47	0.27	0.23	0.20	0.16	0.12
PRE-2-M-T5-32LC-7-4K	73	0.61	0.35	0.30	0.26	0.21	0.15
PRE-2-M-T5-48LC-3-4K	55	0.46	0.26	0.23	0.20	0.16	0.11
PRE-2-M-T5-48LC-5-4K	80	0.67	0.38	0.33	0.29	0.23	0.17
PRE-2-M-T5-48LC-7-4K	106	0.88	0.51	0.44	0.38	0.31	0.22

PRE-2-M LED Specifications

Photometric Optical Summary



EPA Data

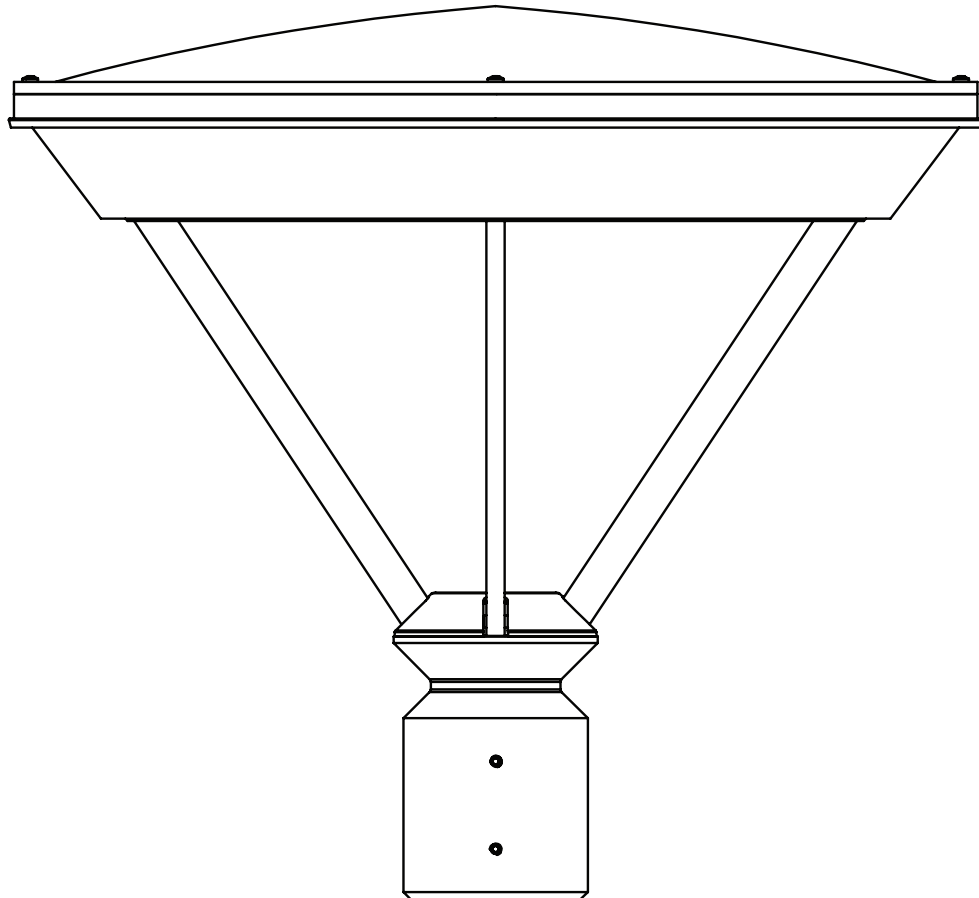

.88

Dimensions

Width: PRE-2-M 20"

Height: PRE-2-M 18.4"

Weight: 37 LBS



Motion Sensor Default Setting									
Type	High Mode	Low Mode	Time Delay	Cut off Delay	Sensitivity	Hold Off Set Point	Photocell On/Off	Ramp up Time	Fade Down Time
WSC- Default	10V	1V	5 Min	1 Hour	Max	Disabled	Disabled	Disabled	Disabled
WSC Range	0-10V	0-9.8V	5-30 Min	1-5 Hours	Low, Med, Max	1-250FC	1-250FC	1-60 Dec	1-60 Dec



