

# LUSSO ARRAY M-PT LED Specifications



Project Name:

Catalog Number:

Type:

Contemporary design meets the new generation of LED green technology in this stunning luminaire, the **Lusso Array**. The Lusso Array series provides over fifty percent energy savings over traditional HID light sources; and offers excellent beam control and LED life beyond 100,000 hours for 1400 milliamp systems. The Lusso Array is offered in ten optical distributions.

The Lusso Array's fully-sealed housing features an exceptionally well-designed thermal management system that provides superior heat dissipation.

The Lusso Array fixture is built with cast aluminum.

The **Lusso Array** is the perfect compliment to any university campus, business park, or walkway project where contemporary, architectural design is desired.

## Ordering Information

MODEL	OPTICS	LUMENS	KELVIN	VOLTAGE	MOUNTING	FINISH	OPTIONS	OPTIONS
LSO-M	<b>T1</b> Type 1	<b>5L</b>	<b>3K</b> 3000K	<b>UNV</b> 120-277V	<b>PTS</b> Post Top Single Arm	<b>BK</b> Black	<b>PCR-120</b>	<b>WSC-8</b> Motion Sensor 8' Mounting Height
	<b>T2</b> Type 2	<b>10L</b>	<b>4K</b> 4000K	<b>8</b> 347V		<b>SBK</b> Smooth Black	<b>PCR-208</b> <b>PCR-240</b>	
	<b>T3</b> Type 3	<b>15L</b>	<b>4K</b> 4000K	<b>5</b> 480V	<b>PTD</b> Post Top Double Arm  The Lusso Medium Post Top will slip over a 3" O.D. X 4" Tall tenon	<b>BZ</b> Bronze	<b>PCR-277</b> <b>PCR-347</b>	<b>WSC-20</b> Motion Sensor 9-20' Mounting Height
	<b>T3L</b> Type 3 Long	<b>20L</b>	<b>5K</b> 5000K	<b>GP</b> Graphite		<b>PCR-480</b> Photocell & Receptacle		
	<b>T4</b> Type 4	<b>25L</b>		<b>GY</b> Grey		<b>PER</b> <b>5PINPER</b> <b>7PINPER</b> 3, 5, or 7 Pin Photo Receptacle w/shorting cap *Requires Dimming Driver		
	<b>T4A</b> Type 4 Automotive			<b>SL</b> Silver Metallic	<b>WH</b> White	<b>DIM</b> 0-10v Dimming Driver	<b>CLC</b> Cutoff Louver Shield	
	<b>T4L</b> Type 4 Long			<b>SWH</b> Smooth White	<b>FG</b> Forest Green	<b>VWC</b> Visionaire Wireless Controls * Consult Factory	<b>ROT-R</b> Rotated Optics Right Side	
	<b>T5LR</b> Type 5 Long Round			<b>VD</b> Verdigris Green	<b>CC</b> Custom Color		<b>ROT-L</b> Rotated Optics Left Side	
	<b>T5LS</b> Type 5 Long Square						<b>HS</b> House Side Shield	
	<b>T5SR</b> Type 5 Short Round							

# Features & Specifications

## LUSSO ARRAY M-PT

### Housing

The Lusso Arrays housing is constructed from durable, corrosion-resistant, cast aluminum. The Cast aluminum top cap is easily removable for service. Silicone gasketing is provided for complete weather and insect protection.

### Thermal Management

The Lusso Array provides excellent overall thermal management by maximizing the efficiency of the heat sink in the fixture. This enables the Lusso Array to withstand higher ambient temperatures and higher drive currents without degrading LED life.

### Optical System

- The highest lumen output LEDs are utilized. High-performance acrylic optics feature industry leading Type 1, 2, 3, 3L, 4, 4A, 4L, 5LR, 5LS and 5SR optical distributions. Acrylic optics are impact-resistant and rated to 94 percent translucence.
- L70 life of our LEDs is rated over 100,000 hours (for 1400 mA).
- CRI values are 70.

### New LED Array Technology

- 4 Diodes now replace a single Led chip and operate at 25% of the drive current allowing for higher efficiency, less heat and longer life. (10 Year Warranty)
- More LEDs at a lower drive current provides a more comfortable visual effect.

### Quali-Guard® Finish

- Fixture components are chemically pretreated through a multiple-stage washer, and finished with an electrostatically-applied, thermoset polyester powder coat textured paint with a 3 to 5 millimeters thickness. Finish is oven-baked at 400 °F for maximum adherence and finish hardness.
- Available in standard and custom colors.
- Finish is guaranteed for five (5) years.

### Post Top Mount

- Lusso Arrays contractor-friendly mounting hardware slips over 3" O.D. x 4" tall tenon utilizing stainless steel hardware.
- Round Internal Tenon Adaptors (RITA) are recommended for a smooth-looking connection. Standard for 4" poles, custom size required for 3" or 5" poles.

### Electrical Assembly

- The Lusso Array is supplied with a high-performance driver available in 700, 1050, 1200 and 1400 mA. The driver is integrally-located in the housing, and is operational from 120 V through 480 V, 50 Hz to 60 Hz input.
- Power factor is 90%.
- Rated for -40° to 50°C operation.
- 10 kV surge protector supplied as standard.

### Warranty

- Ten (10) year Limited Warranty on electrical components.
  - Five (5) year on finish.
- For full warranty information, please visit [visionairelighting.com](http://visionairelighting.com).

### Options

- Photocell & Receptacle
  - Photocell Receptacle with shunting cap
  - 0-10v Dimming Driver
  - WattStopper FSP-211 Motion Sensor
  - Wireless Control
  - Lightly Diffused Lens
  - Highly Diffused Lens
  - Cutoff Louver Shield
- Please consult factory for detailed custom options.

### Listings

- cUL Listed
- IP65 Rated
- Powder Coated Tough™
- IDA dark sky certification



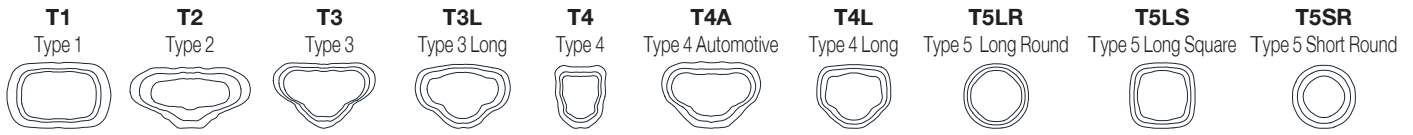
DesignLights Consortium (DLC) qualified Product. Some configurations of this product family may not be DesignLights Consortium (DLC) listed, please refer to the DLC qualified products list to confirm listed configurations. <http://www.designlights.org/> 3000K must be selected for IDA certification.

Fixed Mount must be selected for IDA dark sky certification.

Motion Sensor Default Setting		
Type	WSC - Default	WSC Range
High Mode	10V	0 -10V
Low Mode	1V	0 - 9.8V
Time Delay	5 Min	5 - 30 Min
Cut Off Delay	1 Hour	1 - 5 Hours
Sensitivity	Max	Low, Med, Max
Hold Off Setpoint	Disabled	1 - 250FC
Photocell On/Off	Disabled	1 - 250FC
Ramp Up Time	Disabled	1 - 60 Dec
Fade Down Time	Disabled	1 - 60 Dec

# LUSSO ARRAY M-PT LED Specifications

## Photometric Optical Summary

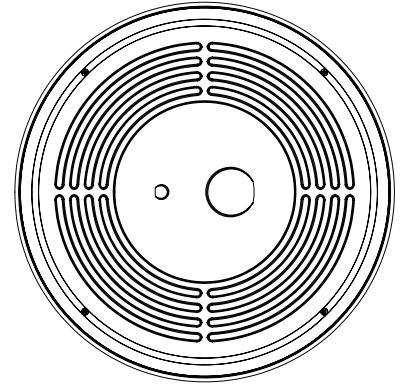


**EPA Data**

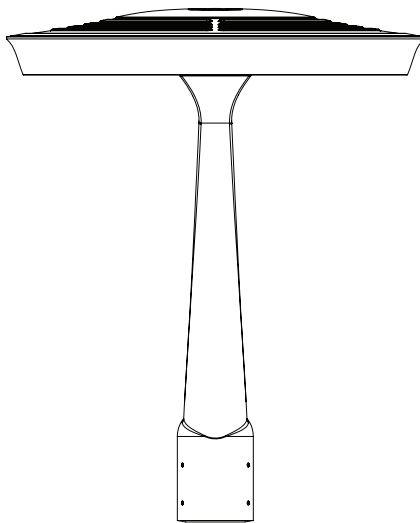


## Dimensions

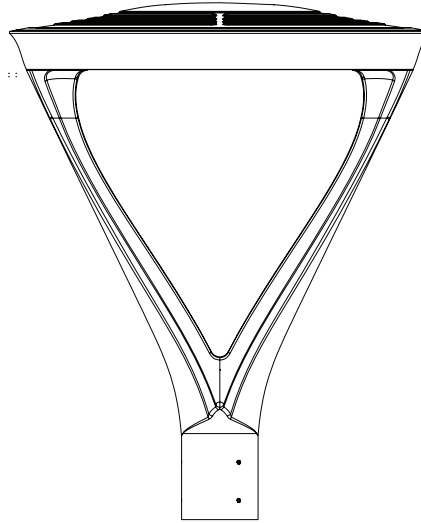
<b>Width:</b>	LSO-M 21"
<b>Depth:</b>	LSO-M 21"
<b>Height:</b>	LSO-M 25.5"
<b>Weight (Single):</b>	LSO-M 30 lbs
<b>Weight (Double):</b>	LSO-M 32 lbs



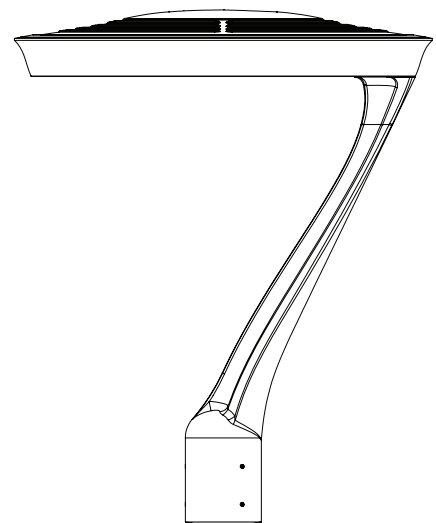
TOP VIEW



SIDE VIEW



FRONT VIEW (DOUBLE)



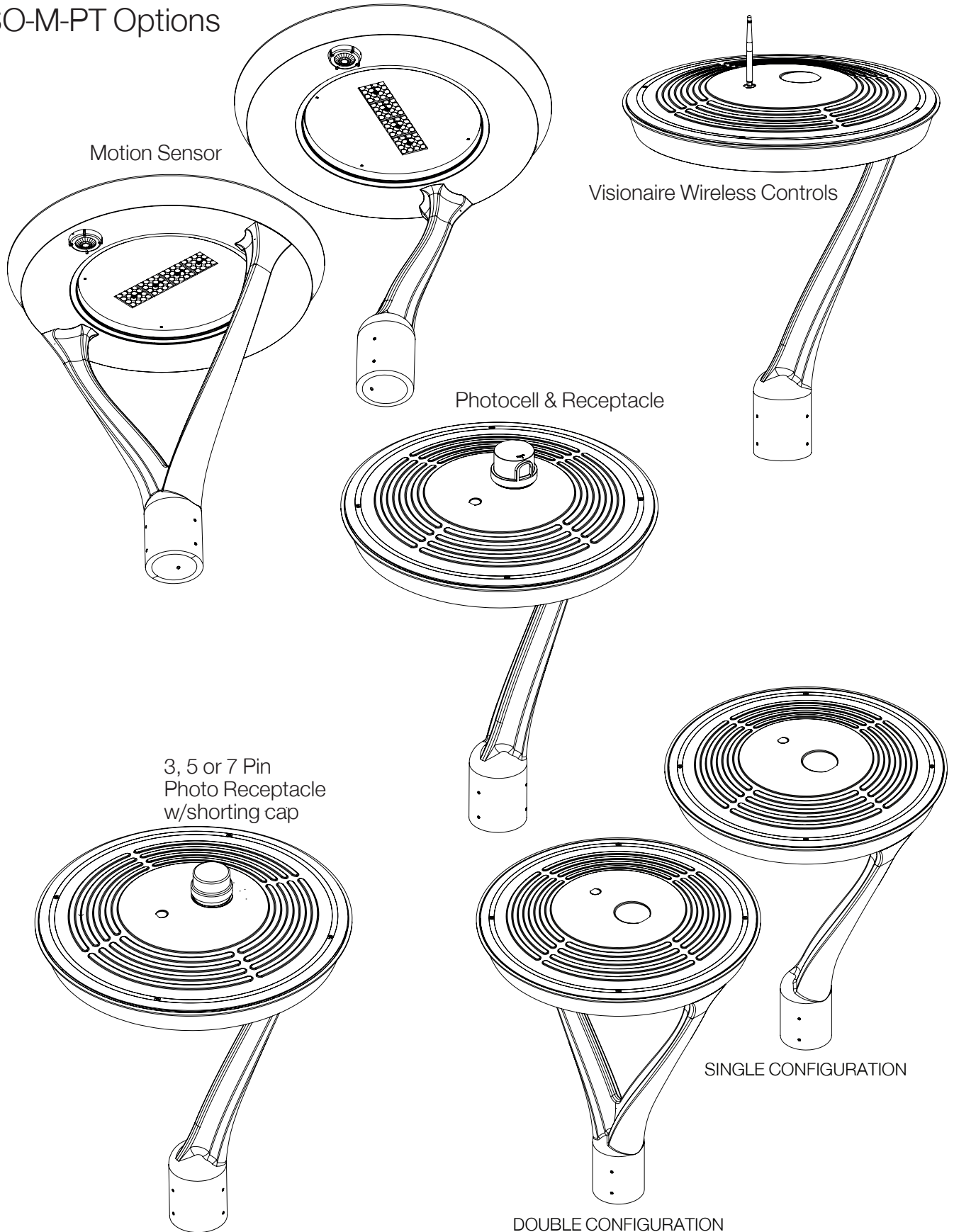
FRONT VIEW (SINGLE)

ELECTRICAL LOAD (A)							
Ordering Nomenclature	System Watts	120	208	240	277	347	480
LSO-M-T5LS-5L	52	0.43	0.25	0.22	0.19	0.15	0.11
LSO-M-T5LS-10L	67	0.56	0.32	0.28	0.24	0.19	0.14
LSO-M-T5LS-15L	99	0.83	0.48	0.41	0.36	0.29	0.21
LSO-M-T5LS-20L	148	1.23	0.71	0.62	0.53	0.43	0.31
LSO-M-T5LS-25L	200	1.67	0.96	0.83	0.72	0.58	0.42



# LED Specifications **LUSSO ARRAY M-PT**

## LSO-M-PT Options



# LUSSO ARRAY M-PT LED Specifications

LUSSO MEDIUM POST TOP SINGLE - 3K LUMEN DATA													
# LEDs	Current (mA)	K Lumens	T1	T2	T3	T3L	T4	T4A	T4L	T5LR	T5LS	T5SR	Wattage
16AR	1050	5L	6867	6850	6805	6637	6671	6956	6626	6677	6844	7018	52
32AR	700	10L	9222	9199	9139	8913	8959	9342	8898	8966	9192	9425	67
32AR	1200	15L	13200	13167	13081	12759	12823	13372	12737	12834	13157	13490	99
48AR	1050	20L	19658	19610	19482	19001	19098	19915	18969	19114	19594	20091	148
48AR	1400	25L	24807	24747	24585	23978	24100	25131	23938	24120	24726	25353	200
LUSSO MEDIUM POST TOP SINGLE - 4K LUMEN DATA													
# LEDs	Current (mA)	K Lumens	T1	T2	T3	T3L	T4	T4A	T4L	T5LR	T5LS	T5SR	Wattage
16AR	1050	5L	7134	7117	7070	6896	6931	7227	6884	6937	7111	7291	52
32AR	700	10L	9581	9557	9495	9261	9308	9706	9245	9315	9550	9792	67
32AR	1200	15L	13714	13680	13591	13256	13323	13893	13233	13334	13669	14016	99
48AR	1050	20L	20424	20374	20241	19742	19842	20691	19708	19858	20358	20874	148
48AR	1400	25L	25774	25711	25543	24912	25038	26110	24870	25059	25690	26341	200
LUSSO MEDIUM POST TOP SINGLE - 5K LUMEN DATA													
# LEDs	Current (mA)	K Lumens	T1	T2	T3	T3L	T4	T4A	T4L	T5LR	T5LS	T5SR	Wattage
16AR	1050	5L	7402	7384	7336	7155	7191	7498	7142	7197	7378	7565	52
32AR	700	10L	9940	9916	9851	9608	9657	10070	9592	9665	9908	10159	67
32AR	1200	15L	14228	14193	14101	13753	13822	14414	13729	13834	14182	14541	99
48AR	1050	20L	21190	21138	21000	20482	20586	21466	20447	20603	21121	21656	148
48AR	1400	25L	26740	26675	26500	25847	25977	27089	25803	25999	26653	27329	200

LUSSO MEDIUM POST TOP SINGLE - 3K BUG CHART																																				
# LEDs	Current (mA)	K Lumens	T1			T2			T3			T3L			T4			T4A			T4L			T5LR			T5LS			T5SR			Wattage			
			B	U	G	B	U	G	B	U	G	B	U	G	B	U	G	B	U	G	B	U	G	B	U	G	B	U	G	B	U	G				
16AR	1050	5L	3	0	3	2	0	2	2	0	2	2	0	2	2	0	2	2	0	2	2	0	1	2	0	2	3	0	3	3	0	3	3	0	3	52
32AR	700	10L	3	0	3	2	0	2	2	0	2	3	0	3	2	0	2	2	0	2	2	0	2	3	0	3	3	0	3	3	0	3	3	0	3	67
32AR	1200	15L	4	0	4	3	0	3	3	0	3	3	0	3	3	0	3	2	0	2	3	0	3	4	0	4	4	0	4	4	0	4	3	0	3	99
48AR	1050	20L	4	0	4	3	0	3	3	0	3	3	0	3	3	0	3	3	0	3	3	0	3	3	0	3	4	0	4	4	0	4	4	0	4	148
48AR	1400	25L	4	0	4	3	0	3	3	0	3	4	0	4	3	0	3	3	0	3	3	0	3	4	0	4	5	0	5	5	0	5	4	0	4	200
LUSSO MEDIUM POST TOP SINGLE - 4K BUG CHART																																				
# LEDs	Current (mA)	K Lumens	T1			T2			T3			T3L			T4			T4A			T4L			T5LR			T5LS			T5SR			Wattage			
			B	U	G	B	U	G	B	U	G	B	U	G	B	U	G	B	U	G	B	U	G	B	U	G	B	U	G	B	U	G				
16AR	1050	5L	3	0	3	2	0	2	2	0	2	2	0	2	2	0	2	2	0	2	2	0	1	2	0	2	3	0	3	3	0	3	3	0	3	52
32AR	700	10L	3	0	3	2	0	2	2	0	2	3	0	3	2	0	2	2	0	2	2	0	2	3	0	3	3	0	3	3	0	3	3	0	3	67
32AR	1200	15L	4	0	4	3	0	3	3	0	3	3	0	3	3	0	3	2	0	2	3	0	3	4	0	4	4	0	4	4	0	4	3	0	3	99
48AR	1050	20L	4	0	4	3	0	3	3	0	3	3	0	3	3	0	3	3	0	3	3	0	3	3	0	3	4	0	4	4	0	4	4	0	4	148
48AR	1400	25L	4	0	4	3	0	3	3	0	3	4	0	4	3	0	3	3	0	3	3	0	3	4	0	4	5	0	5	5	0	5	4	0	4	200
LUSSO MEDIUM POST TOP SINGLE - 5K BUG CHART																																				
# LEDs	Current (mA)	K Lumens	T1			T2			T3			T3L			T4			T4A			T4L			T5LR			T5LS			T5SR			Wattage			
			B	U	G	B	U	G	B	U	G	B	U	G	B	U	G	B	U	G	B	U	G	B	U	G	B	U	G	B	U	G				
16AR	1050	5L	3	0	3	2	0	2	2	0	2	2	0	2	2	0	2	2	0	2	2	0	2	2	0	2	3	0	3	3	0	3	3	0	3	52
32AR	700	10L	3	0	3	2	0	2	2	0	2	3	0	3	2	0	2	2	0	2	2	0	2	3	0	3	3	0	3	3	0	3	3	0	3	67
32AR	1200	15L	4	0	4	3	0	3	3	0	3	3	0	3	3	0	3	2	0	2	3	0	3	4	0	4	4	0	4	4	0	4	3	0	3	99
48AR	1050	20L	4	0	4	3	0	3	3	0	3	3	0	4	3	0	3	3	0	3	3	0	3	3	0	3	4	0	4	5	0	5	4	0	4	148
48AR	1400	25L	5	0	5	3	0	3	3	0	4	4	0	4	3	0	3	3	0	3	3	0	3	4	0	4	5	0	5	5	0	5	4	0	4	200

# LED Specifications **LUSSO ARRAY M-PT**

LUSSO MEDIUM POST TOP DOUBLE - 3K LUMEN DATA													
# LEDs	Current (mA)	K Lumens	T1	T2	T3	T3L	T4	T4A	T4L	T5LR	T5LS	T5SR	Wattage
16AR	1050	5L	6756	6739	6695	6530	6563	6844	6519	6568	6734	6904	52
32AR	700	10L	9072	9050	8991	8769	8813	9191	8754	8821	9043	9272	67
32AR	1200	15L	12986	12954	12869	12552	12615	13155	12531	12626	12944	13272	99
48AR	1050	20L	19340	19293	19167	18694	18788	19592	18662	18804	19277	19766	148
48AR	1400	25L	24405	24346	24187	23590	23709	24724	23550	23729	24326	24942	200

LUSSO MEDIUM POST TOP DOUBLE - 4K LUMEN DATA													
# LEDs	Current (mA)	K Lumens	T1	T2	T3	T3L	T4	T4A	T4L	T5LR	T5LS	T5SR	Wattage
16AR	1050	5L	7019	7002	6956	6784	6819	7110	6773	6824	6996	7173	52
32AR	700	10L	9426	9403	9341	9111	9157	9549	9095	9165	9395	9633	67
32AR	1200	15L	13492	13459	13371	13041	13107	13668	13019	13118	13448	13789	99
48AR	1050	20L	20093	20044	19913	19422	19520	20355	19389	19537	20028	20536	148
48AR	1400	25L	25356	25294	25129	24509	24633	25687	24468	24654	25274	25914	200

LUSSO MEDIUM POST TOP DOUBLE - 5K LUMEN DATA													
# LEDs	Current (mA)	K Lumens	T1	T2	T3	T3L	T4	T4A	T4L	T5LR	T5LS	T5SR	Wattage
16AR	1050	5L	7282	7264	7217	7039	7074	7377	7027	7080	7258	7442	52
32AR	700	10L	9779	9755	9691	9452	9500	9907	9436	9508	9747	9994	67
32AR	1200	15L	13998	13963	13872	13530	13598	14180	13507	13610	13952	14306	99
48AR	1050	20L	20847	20796	20660	20150	20252	21119	20116	20269	20779	21306	148
48AR	1400	25L	26307	26243	26071	25428	25557	26650	25385	25578	26221	26886	200

LUSSO MEDIUM POST TOP DOUBLE - 3K BUG CHART																																							
# LEDs	Current (mA)	K Lumens	T1			T2			T3			T3L			T4			T4A			T4L			T5LR			T5LS			T5SR			Wattage						
			B	U	G	B	U	G	B	U	G	B	U	G	B	U	G	B	U	G	B	U	G	B	U	G	B	U	G	B	U	G							
16AR	1050	5L	3	0	3	2	0	2	2	0	2	2	0	2	2	0	2	2	0	2	2	0	2	2	0	2	3	0	3	3	0	3	3	0	3	52			
32AR	700	10L	3	0	3	2	0	2	2	0	2	3	0	3	2	0	2	2	0	2	2	0	2	2	0	2	3	0	3	3	0	3	3	0	3	67			
32AR	1200	15L	3	0	3	3	0	3	3	0	3	3	0	3	3	0	3	3	0	3	3	0	3	3	0	3	4	0	4	4	0	4	3	0	3	99			
48AR	1050	20L	4	0	4	3	0	3	3	0	3	3	0	3	3	0	3	3	0	3	3	0	3	3	0	3	4	0	4	4	0	4	4	0	4	148			
48AR	1400	25L	4	0	4	3	0	3	3	0	3	4	0	4	3	0	3	3	0	3	3	0	3	4	0	4	4	0	4	5	0	5	5	0	5	4	0	4	200

LUSSO MEDIUM POST TOP DOUBLE - 4K BUG CHART																																							
# LEDs	Current (mA)	K Lumens	T1			T2			T3			T3L			T4			T4A			T4L			T5LR			T5LS			T5SR			Wattage						
			B	U	G	B	U	G	B	U	G	B	U	G	B	U	G	B	U	G	B	U	G	B	U	G	B	U	G	B	U	G							
16AR	1050	5L	3	0	3	2	0	2	2	0	2	2	0	2	2	0	2	2	0	2	2	0	2	2	0	2	3	0	3	3	0	3	3	0	3	52			
32AR	700	10L	3	0	3	2	0	2	2	0	2	3	0	3	2	0	2	2	0	2	2	0	2	3	0	3	3	0	3	3	0	3	3	0	3	67			
32AR	1200	15L	4	0	4	3	0	3	3	0	3	3	0	3	3	0	3	3	0	3	3	0	3	3	0	3	4	0	4	4	0	4	3	0	3	99			
48AR	1050	20L	4	0	4	3	0	3	3	0	3	3	0	3	3	0	3	3	0	3	3	0	3	3	0	3	4	0	4	4	0	4	4	0	4	148			
48AR	1400	25L	4	0	4	4	0	4	3	0	3	4	0	4	3	0	3	3	0	3	3	0	3	4	0	4	4	0	4	5	0	5	5	0	5	4	0	4	200

LUSSO MEDIUM POST TOP DOUBLE - 5K BUG CHART																																							
# LEDs	Current (mA)	K Lumens	T1			T2			T3			T3L			T4			T4A			T4L			T5LR			T5LS			T5SR			Wattage						
			B	U	G	B	U	G	B	U	G	B	U	G	B	U	G	B	U	G	B	U	G	B	U	G	B	U	G	B	U	G							
16AR	1050	5L	3	0	3	2	0	2	2	0	2	2	0	2	2	0	2	2	0	2	2	0	2	2	0	2	3	0	3	3	0	3	3	0	3	52			
32AR	700	10L	3	0	3	2	0	2	2	0	2	3	0	3	2	0	2	2	0	2	2	0	2	3	0	3	3	0	3	3	0	3	3	0	3	67			
32AR	1200	15L	4	0	4	3	0	3	3	0	3	3	0	3	3	0	3	3	0	3	3	0	3	3	0	3	4	0	4	4	0	4	4	0	4	99			
48AR	1050	20L	4	0	4	3	0	3	3	0	3	3	0	3	3	0	3	3	0	3	3	0	3	3	0	3	4	0	4	4	0	4	4	0	4	148			
48AR	1400	25L	4	0	4	4	0	4	3	0	3	4	0	4	3	0	3	3	0	3	3	0	3	4	0	4	4	0	4	5	0	5	5	0	5	4	0	4	200

# LUSSO ARRAY M-PT LED Specifications

LUSSO ARRAY M-PTS-HS 3K LUMEN CHART													
#LEDs	Current (mA)	K Lumens	T1	T2	T3	T3L	T4	T4A	T4L	T5LR	T5LS	T5SR	Watts
16AR	1050	5L	5818	5889	5656	5470	5368	6237	5039	5224	5318	5616	52
32AR	700	10L	7813	7909	7595	7345	7208	8376	6767	7016	7142	7542	67
32AR	1200	15L	11184	11321	10872	10514	10318	11990	9686	10042	10223	10796	99
48AR	1050	20L	16656	16860	16192	15658	15366	17856	14426	14956	15225	16079	148
48AR	1400	25L	21018	21276	20433	19760	19391	22533	18204	18873	19212	20290	200

LUSSO ARRAY M-PTS-HS 4K LUMEN CHART													
#LEDs	Current (mA)	K Lumens	T1	T2	T3	T3L	T4	T4A	T4L	T5LR	T5LS	T5SR	Watts
16AR	1050	5L	6045	6119	5876	5683	5577	6480	5235	5428	5525	5835	52
32AR	700	10L	8118	8217	7891	7631	7489	8703	7031	7289	7420	7836	67
32AR	1200	15L	11619	11762	11296	10924	10720	12457	10063	10434	10621	11217	99
48AR	1050	20L	17305	17517	16823	16269	15965	18552	14987	15539	15818	16705	148
48AR	1400	25L	21837	22105	21229	20530	20146	23411	18913	19609	19961	21080	200

LUSSO ARRAY M-PTS-HS 5K LUMEN CHART													
#LEDs	Current (mA)	K Lumens	T1	T2	T3	T3L	T4	T4A	T4L	T5LR	T5LS	T5SR	Watts
16AR	1050	5L	6271	6348	6097	5896	5786	6723	5432	5631	5732	6054	52
32AR	700	10L	8422	8525	8187	7918	7770	9029	7294	7562	7698	8130	67
32AR	1200	15L	12055	12203	11719	11333	11122	12924	10441	10825	11019	11637	99
48AR	1050	20L	17954	18174	17453	16879	16563	19248	15549	16122	16411	17331	148
48AR	1400	25L	22656	22934	22025	21299	20902	24289	19622	20344	20709	21871	200

LUSSO ARRAY M-PTS-HS 3K BUG CHART																																				
# LEDs	Current (mA)	K Lumens	T1			T2			T3			T3L			T4			T4A			T4L			T5LR			T5LS			T5SR			Wattage			
			B	U	G	B	U	G	B	U	G	B	U	G	B	U	G	B	U	G	B	U	G	B	U	G	B	U	G	B	U	G				
16AR	1050	5L	2	0	1	1	0	1	1	0	1	1	0	2	1	0	2	1	0	1	1	0	2	1	0	2	2	0	1	2	0	1	2	0	1	52
32AR	700	10L	2	0	2	2	0	1	2	0	2	2	0	2	2	0	2	2	0	1	2	0	2	2	0	2	2	0	2	2	0	2	2	0	2	67
32AR	1200	15L	2	0	2	2	0	2	2	0	2	2	0	3	2	0	2	2	0	2	2	0	2	2	0	3	2	0	2	2	0	2	2	0	2	99
48AR	1050	20L	3	0	3	3	0	2	2	0	2	2	0	3	3	0	3	3	0	2	2	0	3	3	0	3	3	0	3	3	0	3	3	0	2	148
48AR	1400	25L	3	0	3	3	0	2	3	0	3	3	0	4	3	0	3	3	0	3	3	0	2	3	0	3	3	0	3	3	0	3	3	0	3	200

LUSSO ARRAY M-PTS-HS 4K BUG CHART																																				
# LEDs	Current (mA)	K Lumens	T1			T2			T3			T3L			T4			T4A			T4L			T5LR			T5LS			T5SR			Wattage			
			B	U	G	B	U	G	B	U	G	B	U	G	B	U	G	B	U	G	B	U	G	B	U	G	B	U	G	B	U	G				
16AR	1050	5L	2	0	1	1	0	1	1	0	1	1	0	2	1	0	2	1	0	1	1	0	2	2	0	2	2	0	2	2	0	1	2	0	1	52
32AR	700	10L	2	0	2	2	0	1	2	0	2	2	0	2	2	0	2	2	0	1	2	0	2	2	0	2	2	0	2	2	0	2	2	0	2	67
32AR	1200	15L	3	0	2	2	0	2	2	0	2	2	0	3	2	0	2	2	0	2	2	0	2	2	0	3	2	0	2	2	0	2	3	0	2	99
48AR	1050	20L	3	0	3	3	0	2	2	0	3	2	0	3	3	0	3	3	0	2	2	0	3	3	0	3	3	0	3	3	0	3	3	0	2	148
48AR	1400	25L	3	0	3	3	0	3	3	0	3	3	0	4	3	0	3	3	0	3	3	0	2	3	0	3	3	0	3	3	0	3	3	0	3	200

LUSSO ARRAY M-PTS-HS 5K BUG CHART																																				
# LEDs	Current (mA)	K Lumens	T1			T2			T3			T3L			T4			T4A			T4L			T5LR			T5LS			T5SR			Wattage			
			B	U	G	B	U	G	B	U	G	B	U	G	B	U	G	B	U	G	B	U	G	B	U	G	B	U	G	B	U	G				
16AR	1050	5L	2	0	1	1	0	1	1	0	2	1	0	2	1	0	2	2	0	1	1	0	2	2	0	2	2	0	2	2	0	2	2	0	1	52
32AR	700	10L	2	0	2	2	0	2	2	0	2	2	0	3	2	0	2	2	0	1	2	0	2	2	0	2	2	0	2	2	0	2	2	0	2	67
32AR	1200	15L	3	0	2	2	0	2	2	0	2	2	0	3	2	0	2	2	0	2	2	0	2	2	0	3	2	0	3	2	0	2	3	0	2	99
48AR	1050	20L	3	0	3	3	0	2	3	0	3	2	0	3	3	0	3	3	0	2	2	0	3	3	0	3	3	0	3	3	0	3	3	0	2	148
48AR	1400	25L	3	0	3	3	0	3	3	0	3	3	0	4	3	0	3	3	0	2	3	0	4	3	0	3	3	0	3	3	0	3	3	0	3	200

# LED Specifications **LUSSO ARRAY M-PT**

LUSSO ARRAY M-PTD-HS 3K LUMEN CHART													
#LEDs	Current (mA)	K Lumens	T1	T2	T3	T3L	T4	T4A	T4L	T5LR	T5LS	T5SR	Watts
16AR	1050	5L	5765	5836	5605	5420	5319	6181	4993	5177	5270	5565	52
32AR	700	10L	7742	7837	7526	7279	7143	8300	6705	6952	7077	7474	67
32AR	1200	15L	11082	11218	10773	10418	10224	11881	9598	9951	10130	10698	99
48AR	1050	20L	16504	16707	16045	15516	15227	17694	14294	14820	15086	15932	148
48AR	1400	25L	20827	21083	20247	19580	19215	22328	18038	18702	19038	20105	200

LUSSO ARRAY M-PTD-HS 4K LUMEN CHART													
#LEDs	Current (mA)	K Lumens	T1	T2	T3	T3L	T4	T4A	T4L	T5LR	T5LS	T5SR	Watts
16AR	1050	5L	5990	6063	5823	5631	5526	6421	5188	5378	5475	5782	52
32AR	700	10L	8044	8143	7820	7562	7421	8624	6967	7223	7353	7765	67
32AR	1200	15L	11514	11655	11193	10824	10622	12344	9972	10339	10524	11115	99
48AR	1050	20L	17147	17358	16670	16121	15820	18383	14851	15398	15674	16553	148
48AR	1400	25L	21639	21904	21036	20343	19963	23198	18741	19430	19779	20889	200

LUSSO ARRAY M-PTD-HS 5K LUMEN CHART													
#LEDs	Current (mA)	K Lumens	T1	T2	T3	T3L	T4	T4A	T4L	T5LR	T5LS	T5SR	Watts
16AR	1050	5L	6214	6291	6041	5842	5733	6662	5382	5580	5680	5999	52
32AR	700	10L	8345	8448	8113	7846	7699	8947	7228	7494	7628	8056	67
32AR	1200	15L	11945	12092	11613	11230	11020	12806	10346	10726	10919	11531	99
48AR	1050	20L	17790	18009	17295	16725	16413	19073	15408	15975	16262	17174	148
48AR	1400	25L	22450	22726	21825	21106	20712	24068	19444	20159	20521	21672	200

LUSSO ARRAY M-PTD-HS 3K BUG CHART																																				
# LEDs	Current (mA)	K Lumens	T1			T2			T3			T3L			T4			T4A			T4L			T5LR			T5LS			T5SR			Wattage			
			B	U	G	B	U	G	B	U	G	B	U	G	B	U	G	B	U	G	B	U	G	B	U	G	B	U	G	B	U	G				
16AR	1050	5L	2	0	1	1	0	1	1	0	1	1	0	2	1	0	2	1	0	1	1	0	2	1	0	2	1	0	2	2	0	1	2	0	1	52
32AR	700	10L	2	0	2	2	0	1	2	0	2	2	0	2	2	0	2	2	0	1	2	0	2	2	0	2	2	0	2	2	0	2	2	0	1	67
32AR	1200	15L	2	0	2	2	0	2	2	0	2	2	0	3	2	0	2	2	0	2	2	0	2	2	0	3	2	0	2	2	0	2	2	0	2	99
48AR	1050	20L	3	0	3	3	0	2	2	0	2	2	0	3	3	0	3	3	0	3	3	0	2	2	0	3	3	0	3	3	0	3	3	0	2	148
48AR	1400	25L	3	0	3	3	0	2	3	0	3	3	0	4	3	0	3	3	0	3	3	0	2	3	0	3	3	0	3	3	0	3	3	0	3	200

LUSSO ARRAY M-PTD-HS 4K BUG CHART																																				
# LEDs	Current (mA)	K Lumens	T1			T2			T3			T3L			T4			T4A			T4L			T5LR			T5LS			T5SR			Wattage			
			B	U	G	B	U	G	B	U	G	B	U	G	B	U	G	B	U	G	B	U	G	B	U	G	B	U	G	B	U	G				
16AR	1050	5L	2	0	1	1	0	1	1	0	1	1	0	2	1	0	2	1	0	1	1	0	2	1	0	2	2	0	2	2	0	1	2	0	1	52
32AR	700	10L	2	0	2	2	0	1	2	0	2	2	0	2	2	0	2	2	0	1	2	0	2	2	0	2	2	0	2	2	0	2	2	0	2	67
32AR	1200	15L	2	0	2	2	0	2	2	0	2	2	0	3	2	0	2	2	0	2	2	0	2	2	0	3	2	0	2	2	0	2	3	0	2	99
48AR	1050	20L	3	0	3	3	0	2	2	0	3	2	0	3	3	0	3	3	0	3	3	0	2	2	0	3	3	0	3	3	0	3	3	0	2	148
48AR	1400	25L	3	0	3	3	0	3	3	0	3	3	0	4	3	0	3	3	0	3	3	0	2	3	0	3	3	0	3	3	0	3	3	0	3	200

LUSSO ARRAY M-PTD-HS 5K BUG CHART																																				
# LEDs	Current (mA)	K Lumens	T1			T2			T3			T3L			T4			T4A			T4L			T5LR			T5LS			T5SR			Wattage			
			B	U	G	B	U	G	B	U	G	B	U	G	B	U	G	B	U	G	B	U	G	B	U	G	B	U	G	B	U	G				
16AR	1050	5L	2	0	1	1	0	1	1	0	2	1	0	2	1	0	2	2	0	1	1	0	2	2	0	2	2	0	2	2	0	1	2	0	1	52
32AR	700	10L	2	0	2	2	0	2	2	0	2	2	0	3	2	0	2	2	0	1	2	0	2	2	0	2	2	0	2	2	0	2	2	0	2	67
32AR	1200	15L	3	0	2	2	0	2	2	0	2	2	0	3	2	0	2	2	0	2	2	0	2	2	0	3	2	0	2	2	0	2	3	0	2	99
48AR	1050	20L	3	0	3	3	0	2	3	0	3	2	0	3	3	0	3	3	0	3	3	0	2	2	0	3	3	0	3	3	0	3	3	0	2	148
48AR	1400	25L	3	0	3	3	0	3	3	0	3	3	0	4	3	0	3	3	0	3	3	0	2	3	0	4	3	0	3	3	0	3	3	0	3	200



# LUSSO ARRAY M-PT LED Specifications

**LUSSO ARRAY M-PTS-CLS 3K LUMEN CHART**

#LEDs	Current (mA)	K Lumens	T1	T2	T3	T3L	T4	T4A	T4L	T5LR	T5LS	T5SR	Watts
16AR	1050	5L	5289	5354	5142	4972	4880	5739	4581	4749	4835	5106	52
32AR	700	10L	7103	7190	6905	6678	6553	7707	6152	6378	6493	6857	67
32AR	1200	15L	10167	10292	9884	9558	9380	11031	8805	9129	9293	9814	99
48AR	1050	20L	15142	15328	14720	14235	13969	16429	13114	13597	13841	14617	148
48AR	1400	25L	19108	19342	18575	17963	17628	20732	16549	17158	17466	18445	200

**LUSSO ARRAY M-PTS-CLS 4K LUMEN CHART**

#LEDs	Current (mA)	K Lumens	T1	T2	T3	T3L	T4	T4A	T4L	T5LR	T5LS	T5SR	Watts
16AR	1050	5L	5495	5563	5342	5166	5070	5962	4759	4934	5023	5305	52
32AR	700	10L	7380	7470	7174	6938	6808	8007	6391	6627	6745	7124	67
32AR	1200	15L	10563	10693	10269	9930	9745	11461	9149	9485	9655	10197	99
48AR	1050	20L	15732	15925	15293	14790	14513	17069	13625	14126	14380	15186	148
48AR	1400	25L	19852	20096	19299	18663	18315	21540	17194	17826	18146	19164	200

**LUSSO ARRAY M-PTS-CLS 5K LUMEN CHART**

#LEDs	Current (mA)	K Lumens	T1	T2	T3	T3L	T4	T4A	T4L	T5LR	T5LS	T5SR	Watts
16AR	1050	5L	5701	5771	5542	5360	5260	6186	4938	5119	5211	5504	52
32AR	700	10L	7656	7750	7443	7198	7063	8307	6631	6875	6998	7391	67
32AR	1200	15L	10959	11094	10654	10303	10111	11891	9492	9841	10017	10579	99
48AR	1050	20L	16322	16522	15867	15344	15058	17709	14136	14656	14919	15756	148
48AR	1400	25L	20596	20849	20023	19363	19002	22348	17838	18495	18826	19882	200

**LUSSO ARRAY M-PTS-CLS 3K BUG CHART**

# LEDs	Current (mA)	K Lumens	T1			T2			T3			T3L			T4			T4A			T4L			T5LR			T5LS			T5SR			Wattage
			B	U	G	B	U	G	B	U	G	B	U	G	B	U	G	B	U	G	B	U	G	B	U	G	B	U	G	B	U	G	
16AR	1050	5L	1	2	2	1	2	2	1	1	1	1	2	2	1	2	2	1	1	2	1	2	2	1	2	2	1	1	2	1	2	2	52
32AR	700	10L	2	2	2	2	2	2	1	1	2	2	2	2	1	2	2	1	2	2	1	2	2	2	2	2	2	2	2	2	2	2	67
32AR	1200	15L	2	2	3	2	2	2	2	2	2	2	2	3	2	2	2	2	2	3	2	2	3	2	2	3	2	2	3	2	2	3	99
48AR	1050	20L	3	2	3	2	2	3	2	2	3	3	2	3	3	2	3	2	2	3	2	2	3	3	2	3	3	2	3	3	3	3	148
48AR	1400	25L	3	2	4	3	2	3	2	2	3	3	2	4	3	3	3	3	2	3	3	2	3	3	2	3	3	2	4	3	2	3	200

**LUSSO ARRAY M-PTS-CLS 4K BUG CHART**

# LEDs	Current (mA)	K Lumens	T1			T2			T3			T3L			T4			T4A			T4L			T5LR			T5LS			T5SR			Wattage
			B	U	G	B	U	G	B	U	G	B	U	G	B	U	G	B	U	G	B	U	G	B	U	G	B	U	G	B	U	G	
16AR	1050	5L	1	2	2	1	2	2	1	1	1	1	2	2	1	2	2	1	1	2	1	2	2	1	2	2	1	1	2	2	2	2	52
32AR	700	10L	2	2	3	2	2	2	1	1	2	2	2	2	1	2	2	1	2	2	2	2	2	2	2	2	2	2	2	2	2	2	67
32AR	1200	15L	2	2	3	2	2	2	2	2	2	2	2	3	2	2	2	2	2	3	2	2	3	2	2	3	2	2	3	2	2	3	99
48AR	1050	20L	3	2	3	2	2	3	2	2	3	3	2	3	3	2	3	2	2	3	2	2	3	3	2	3	3	2	3	3	3	3	148
48AR	1400	25L	3	2	4	3	2	3	2	2	3	3	2	4	3	3	3	3	2	3	3	2	3	3	2	3	3	2	4	3	2	3	200

**LUSSO ARRAY M-PTS-CLS 5K BUG CHART**

# LEDs	Current (mA)	K Lumens	T1			T2			T3			T3L			T4			T4A			T4L			T5LR			T5LS			T5SR			Wattage
			B	U	G	B	U	G	B	U	G	B	U	G	B	U	G	B	U	G	B	U	G	B	U	G	B	U	G	B	U	G	
16AR	1050	5L	1	2	2	1	2	2	1	1	2	1	2	2	1	2	2	1	1	2	1	2	2	1	2	2	1	1	2	2	2	2	52
32AR	700	10L	2	2	3	2	2	2	1	1	2	2	2	3	2	2	2	2	2	2	2	2	2	2	2	2	2	2	2	2	2	2	67
32AR	1200	15L	2	2	3	2	2	2	2	2	2	2	2	3	2	2	3	2	2	3	2	2	3	2	2	3	2	2	3	2	2	3	99
48AR	1050	20L	3	2	4	2	2	3	2	2	3	3	2	3	3	2	3	2	2	3	2	2	3	3	2	3	3	2	3	3	3	3	148
48AR	1400	25L	3	2	4	3	2	3	3	2	3	3	2	4	3	3	3	3	2	3	3	3	3	3	2	3	3	2	4	3	3	4	200

LED Specifications **LUSSO ARRAY M-PT**

LUSSO ARRAY M-PTD-CLS 3K LUMEN CHART													
#LEDs	Current (mA)	K Lumens	T1	T2	T3	T3L	T4	T4A	T4L	T5LR	T5LS	T5SR	Watts
16AR	1050	5L	5203	5267	5058	4892	4801	5646	4507	4672	4756	5023	52
32AR	700	10L	6988	7074	6793	6569	6447	7582	6052	6275	6387	6746	67
32AR	1200	15L	10002	10125	9724	9403	9228	10853	8663	8982	9143	9656	99
48AR	1050	20L	14897	15079	14481	14004	13743	16163	12902	13376	13616	14380	148
48AR	1400	25L	18798	19029	18274	17672	17343	20397	16281	16880	17183	18147	200

LUSSO ARRAY M-PTD-CLS 4K LUMEN CHART													
#LEDs	Current (mA)	K Lumens	T1	T2	T3	T3L	T4	T4A	T4L	T5LR	T5LS	T5SR	Watts
16AR	1050	5L	5406	5473	5256	5082	4988	5866	4682	4854	4942	5219	52
32AR	700	10L	7260	7349	7058	6825	6698	7877	6288	6519	6636	7008	67
32AR	1200	15L	10392	10520	10102	9770	9587	11276	9000	9331	9499	10032	99
48AR	1050	20L	15477	15667	15046	14550	14278	16793	13404	13897	14147	14940	148
48AR	1400	25L	19530	19770	18986	18361	18018	21191	16915	17537	17852	18853	200

LUSSO ARRAY M-PTD-CLS 5K LUMEN CHART													
#LEDs	Current (mA)	K Lumens	T1	T2	T3	T3L	T4	T4A	T4L	T5LR	T5LS	T5SR	Watts
16AR	1050	5L	5609	5678	5453	5273	5175	6086	4858	5037	5127	5414	52
32AR	700	10L	7532	7625	7322	7081	6949	8173	6524	6764	6885	7271	67
32AR	1200	15L	10782	10914	10481	10136	9947	11698	9338	9681	9855	10408	99
48AR	1050	20L	16057	16254	15610	15096	14814	17423	13907	14419	14677	15501	148
48AR	1400	25L	20263	20512	19698	19049	18694	21986	17549	18195	18522	19560	200

LUSSO ARRAY M-PTD-CLS 3K BUG CHART																																	
# LEDs	Current (mA)	K Lumens	T1			T2			T3			T3L			T4			T4A			T4L			T5LR			T5LS			T5SR			Wattage
			B	U	G	B	U	G	B	U	G	B	U	G	B	U	G	B	U	G	B	U	G	B	U	G	B	U	G	B	U	G	
16AR	1050	5L	1	3	2	1	3	2	1	3	2	1	2	2	1	2	2	1	3	2	1	3	2	1	3	2	1	2	2	1	3	2	52
32AR	700	10L	2	3	2	1	3	2	1	3	2	1	3	2	1	2	2	1	3	2	1	3	2	2	3	2	1	3	2	2	3	2	67
32AR	1200	15L	2	3	3	2	3	3	2	3	3	2	3	3	2	3	3	2	3	3	2	3	3	2	3	3	2	3	3	2	3	3	99
48AR	1050	20L	3	3	3	2	3	3	2	3	3	3	3	3	2	3	3	2	3	3	2	3	3	3	3	3	3	3	3	3	3	3	148
48AR	1400	25L	3	3	4	3	3	3	2	3	4	3	3	4	3	3	3	3	3	3	3	3	3	3	3	4	3	3	4	3	3	4	200

LUSSO ARRAY M-PTD-CLS 4K BUG CHART																																	
# LEDs	Current (mA)	K Lumens	T1			T2			T3			T3L			T4			T4A			T4L			T5LR			T5LS			T5SR			Wattage
			B	U	G	B	U	G	B	U	G	B	U	G	B	U	G	B	U	G	B	U	G	B	U	G	B	U	G	B	U	G	
16AR	1050	5L	1	3	2	1	3	2	1	3	2	1	2	2	1	2	2	1	3	2	1	3	2	1	3	2	1	3	2	1	2	2	52
32AR	700	10L	2	3	2	1	3	2	1	3	2	1	3	3	1	3	2	1	3	2	1	3	2	2	3	2	2	3	2	2	3	2	67
32AR	1200	15L	2	3	3	2	3	3	2	3	3	2	3	3	2	3	3	2	3	3	2	3	3	2	3	3	2	3	3	2	3	3	99
48AR	1050	20L	3	3	3	2	3	3	2	3	3	3	3	3	3	3	3	2	3	3	2	3	3	3	3	3	3	3	3	3	3	3	148
48AR	1400	25L	3	3	4	3	3	3	2	3	4	3	3	4	3	3	4	3	3	4	3	3	4	3	3	4	3	3	4	3	3	4	200

LUSSO ARRAY M-PTD-CLS 5K BUG CHART																																	
# LEDs	Current (mA)	K Lumens	T1			T2			T3			T3L			T4			T4A			T4L			T5LR			T5LS			T5SR			Wattage
			B	U	G	B	U	G	B	U	G	B	U	G	B	U	G	B	U	G	B	U	G	B	U	G	B	U	G	B	U	G	
16AR	1050	5L	1	3	2	1	3	2	1	3	2	1	2	2	1	2	2	1	3	2	1	3	2	1	3	2	1	3	2	1	3	2	52
32AR	700	10L	2	3	2	1	3	2	1	3	2	2	3	3	1	3	2	1	3	2	1	3	2	2	3	2	2	3	2	2	3	2	67
32AR	1200	15L	2	3	3	2	3	3	2	3	3	2	3	3	2	3	3	2	3	3	2	3	3	2	3	3	2	3	3	2	3	3	99
48AR	1050	20L	3	3	3	2	3	3	2	3	3	3	3	4	3	3	3	2	3	3	2	3	3	3	3	3	3	3	3	3	3	3	148
48AR	1400	25L	3	3	4	3	3	4	2	3	4	3	3	4	3	3	4	3	3	4	3	3	4	3	3	4	3	3	4	3	3	4	200