

American LED Specifications



Project Name: _____

Catalog Number: _____

Type: _____

The new **American LED** Luminaire from Visionaire combines contemporary design with new LED technology; while maintaining a traditional fixture image. The LEDs Performance and Life are maximized by the unique integral aluminum heat sink built into the door frame. Maintenance of the drivers is simplified by making them easily accessible and provided with quick wiring connections.

80, 144 or 224 LEDs are available in 350 or 530 mA rating providing up to 42,000 lumens. Seven optical distribution patterns are available and feature a unique Type T-4A automotive pattern for the front row of auto dealerships. Choose between 3000, 4000 or 5000 Kelvin temperature of the LEDs. The **American LED** series is an exceptional choice for auto dealerships, shopping centers, commercial parking lots and general parking area lighting.

Ordering Information

MODEL	OPTICS	LEDS	CURRENT	KELVIN	VOLTAGE	MOUNTING	FINISH	OPTIONS	OPTIONS
AME-2-L	T1 Type 1	80LC	3 350mA	3K 3000K	UNV 120-277V	KM Knuckle Mount	GY Grey	PCR-120	VWC Visionaire Wireless Controls * Consult Factory
	T2 Type 2	144LC	5 530mA	4K 4000K	8 347V	BOA6 6" Bolt-On Arm	SL Silver Metallic	PCR-208	
	T3 Type 3			5K 5000K	5 480V	BOA10 10" Bolt-On Arm	BK Black	PCR-240	WSC-8 Motion Sensor 8' Mounting Height
AME-4-L	T4 Type 4	224LC				* Required for any 90 degree pole configuration (D90/T90/QD)	SBK Smooth Black	PCR-347 PhotoCell & Receptacle	WSC-20 Motion Sensor 9-20' Mounting Height
	T4A Type 4 Automotive					WM Wall Mount *Cast Wall Plate (BAWP) to be ordered separately	WH White	PER 5PINPER 7PINPER 3, 5, or 7 Pin Photo Receptacle w/shorting cap	WSC-40 Motion Sensor 21-40' Mounting Height
	T5 Type 5					BAWP Bolt-On Arm Wall Plate	SWH Smooth White	* 5 and 7 PIN Requires Dimming Driver	* WSC options will require (1) FSLR 100 remote for programming
	T5W Type 5 Wide					SM Spider Mount *Fits 2 3/8" O.D.	BZ Bronze	PC-120 PC-208 PC-240 PC-277 Button Type Photocell	UPMA-S Universal Square Pole Mount Adapter
	T5WR Type 5 Wide Round						GP Graphite CC Custom Color	DIM 0-10v Dimming Driver *No Controls	UPMA-R Universal Round Pole Mount Adapter RPP Round Pole Plate Adaptor For 3"Ø - 5"Ø Pole

Features & Specifications

American

Housing

- All housings are manufactured using advanced computerized numerical control (CNC) machinery. Precision sheared and formed from one-piece, corrosion-resistant aluminum, with tooled external reveal.
- The computerized CNC machinery enables all American housings to be constructed quickly, efficiently and adhering to exacting ISO 9002 standards. All external hardware is stainless steel.

Driver Compartment

- Removable hinged door assembly is CNC precision, sheared and formed from one-piece, corrosion-resistant aluminum with captive stainless steel fastener. The LEDs and drivers are mounted to an aluminum heat sink that is attached to the door frame.

Thermal Management

- The American LED Series provides excellent overall thermal management by maximizing the fixture's heat sink capabilities. This enables the American LED Series to withstand higher ambient temperatures and drive currents without degrading LED life.
- The L70 test determines the point in an LED's life when it reaches 70 percent of its initial output. The American Series LEDs have been determined to last a minimum of 100,000 hours in 25°C environments when driven at 350 mA.

Optical System

- The LED light assemblies come with up to 224 LEDs. Eight IES distribution patterns are offered as standard; with a unique Type 4 Automotive optic available for Dealerships. The optical system qualifies as IES full cutoff; to restrict light trespass, glare, and light pollution.

Quali-Guard® Finish

- The finish is a Quali-Guard® textured, chemically pretreated through a multiple-stage washer, electrostatically applied, thermoset polyester powder coat finish, with a minimum of 3-5 millimeter thickness. Finish is oven-baked at 400 °F to promote maximum adherence and finish hardness.
- All finishes are available in standard and custom colors.
- Finish is guaranteed for five (5) years.

Mounting

- A rounded extruded aluminum, Bolt-On Arm (BOA), with an in-pole nut plate, securing (2) ½ inch zinc running bolts with stainless steel hardware is standard. A Round Pole Plate Adapter (RPP) is required for mounting to 3" - 5" round poles. Use BOA10 for 90 degree pole configurations (D90/T90/QD)

Electrical Assembly

- The American LED Series is supplied with a choice of 350 or 530 mA high-performance LED drivers that accept 120 v thru 480v, 50 Hz to 60 Hz, input. Power factor of 90%. Rated for -40°C operations.
- 10 kV surge protector supplied as standard.

Warranty

- Five (5) year Limited Warranty on entire system, including finish. For full warranty information, please visit VisionaireLighting.com.

Options

- Photocell & Receptacle
 - Photo receptacle
 - Button type photocell
 - House side light shield
 - Round pole plate adaptor
 - Dimming Driver
 - Wireless Controls
 - Motion Sensor
- Please consult factory for custom options.

Listings

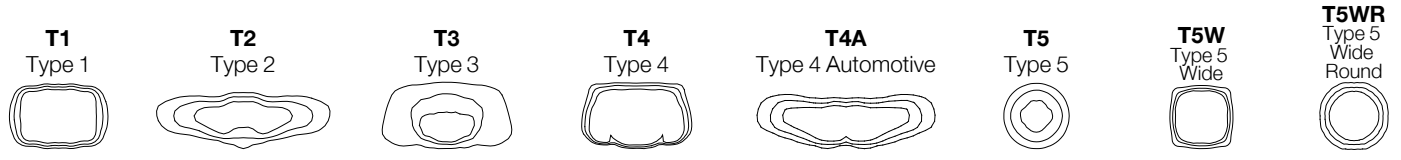
- American is ETL listed, suitable for wet locations
- IP65 Rated
- LM79 and LM80.
- EISA compliant.
- RoHS compliant
- Powder Coated Tough™
- DLC Listed


**IP65
Rated**


DesignLights Consortium (DLC) qualified Product. Some configurations of this product family may not be DesignLights Consortium (DLC) listed, please refer to the DLC qualified products list to confirm listed configurations. <http://www.designlights.org/>
3000K must be selected with a fixed mount for IDA certification.

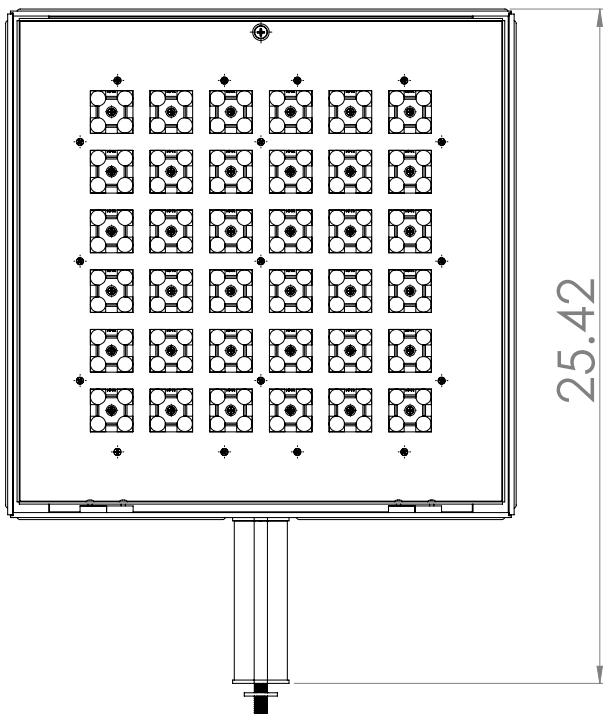
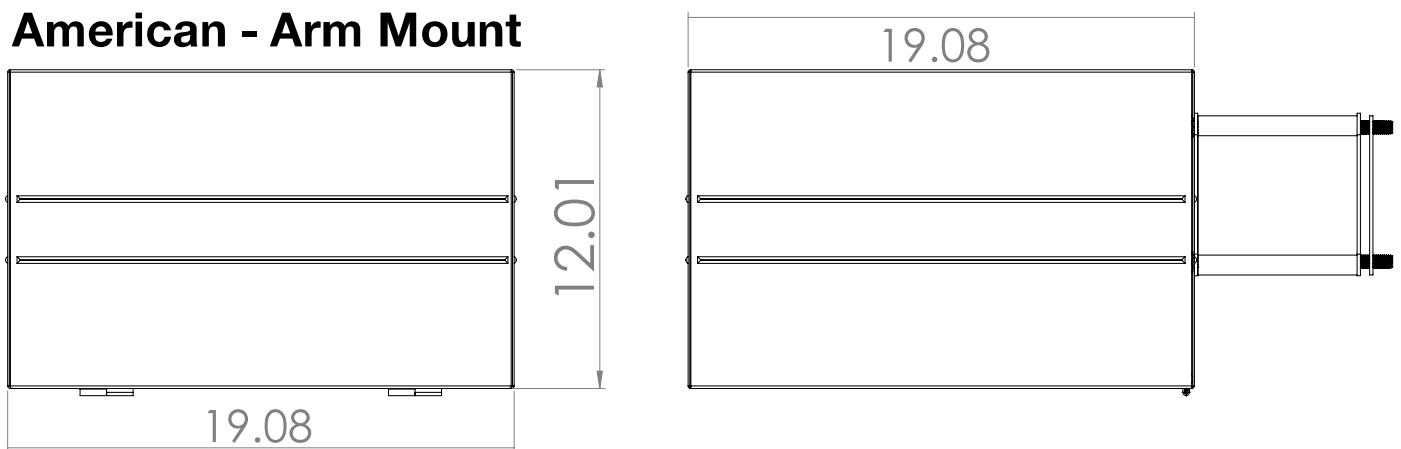
American LED Specifications

Photometric Optical Summary

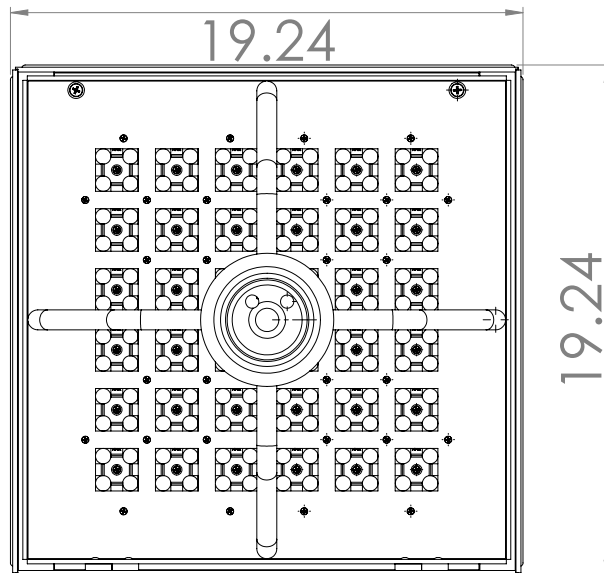
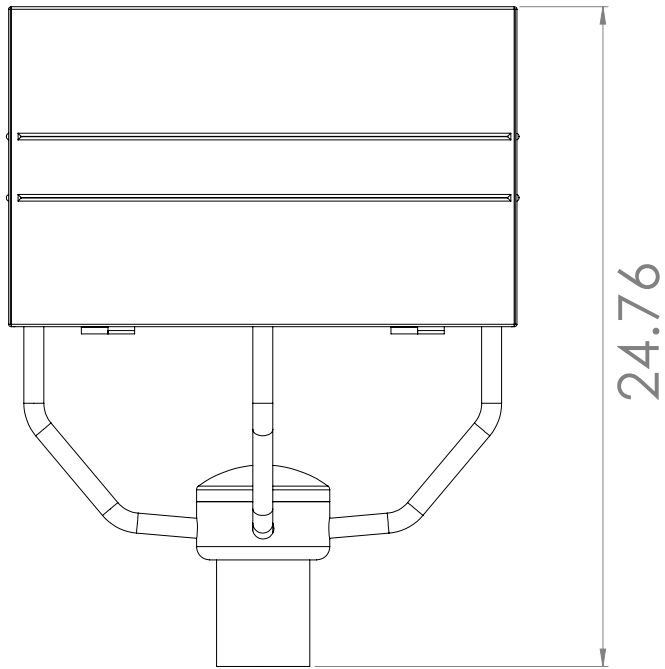


American EPA Data								
Fixture with Arm								WEIGHT
AME-2	2.2	4.0	4.4	6.0	5.1	7.1	2.6	29 lbs.
AME-4	3.4	6.2	6.8	9.2	7.8	10.9	3.9	68 lbs.

American - Arm Mount



American - Post Top

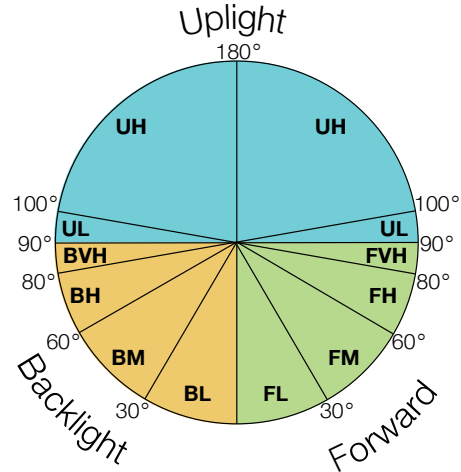


American LED Specifications

American LED - 3k Lumen Data											
Configuration	# LEDs	Current	T1	T2	T3	T4	T4A	T5	T5W	T5WR	Wattage
AME-2	80	350	10096	9996	10288	10025	11194	10515	11808	11690	85
		530	12679	12553	12920	12589	14049	13204	15591	15436	119
AME-2	144	350	18286	18105	18633	18156	20275	19044	20734	20526	154
		530	24399	24157	24862	24225	27035	25410	29523	29228	229
AME-4	224	350	30645	30342	31228	30428	33957	32249	30734	30427	237
		530	41898	41483	42694	41600	46424	44090	42018	41598	363
American LED - 4k Lumen Data											
Configuration	# LEDs	Current	T1	T2	T3	T4	T4A	T5	T5W	T5WR	Wattage
AME-2	80	350	10708	10602	10911	10632	11873	11152	12523	12398	85
		530	13447	13314	13703	13352	14900	14005	16536	16371	119
AME-2	144	350	19394	18105	18633	18156	20275	19044	20734	21770	154
		530	25877	24157	24862	24225	27035	25410	29523	30999	229
AME-4	224	350	32502	30342	31228	30428	33957	32249	30734	32271	237
		530	44437	41483	42694	41600	46424	44090	42018	44119	363
American LED - 5k Lumen Data											
Configuration	# LEDs	Current	T1	T2	T3	T4	T4A	T5	T5W	T5WR	Wattage
AME-2	80	350	10198	10097	10392	10126	11307	10621	11927	11808	85
		530	12807	12680	13050	12716	14190	13338	15749	15591	119
AME-2	144	350	18471	18105	18633	18156	20275	19044	20734	20734	154
		530	24645	24157	24862	24225	27035	25410	29523	29523	229
AME-4	224	350	30955	30342	31228	30428	33957	32249	30734	30734	237
		530	42321	41483	42694	41600	46424	44090	42018	42018	363
American LED - 3k Lumen Per Watt Data											
Configuration	# LEDs	Current	T1	T2	T3	T4	T4A	T5	T5W	T5WR	Wattage
AME-2	80	350	119	118	121	118	132	124	139	138	85
		530	107	105	109	106	118	111	131	130	119
AME-2	144	350	119	118	121	118	132	124	135	133	154
		530	107	105	109	106	118	111	129	128	229
AME-4	224	350	129	128	132	128	143	136	130	128	237
		530	115	114	118	115	128	121	116	115	363
American LED - 4k Lumen Per Watt Data											
Configuration	# LEDs	Current	T1	T2	T3	T4	T4A	T5	T5W	T5WR	Wattage
AME-2	80	350	126	125	128	125	140	131	147	146	85
		530	113	112	115	112	125	118	139	138	119
AME-2	144	350	126	118	121	118	132	124	135	141	154
		530	113	105	109	106	118	111	129	135	229
AME-4	224	350	137	128	132	128	143	136	130	136	237
		530	122	114	118	115	128	121	116	122	363
American LED - 5k Lumen Per Watt Data											
Configuration	# LEDs	Current	T1	T2	T3	T4	T4A	T5	T5W	T5WR	Wattage
AME-2	80	350	120	119	122	119	133	125	140	139	85
		530	108	107	110	107	119	112	132	131	119
AME-2	144	350	120	118	121	118	132	124	135	135	154
		530	108	105	109	106	118	111	129	129	229
AME-4	224	350	131	128	132	128	143	136	130	130	237
		530	117	114	118	115	128	121	116	116	363

Bug Rating -

The subzones are individually rated on a scale from 0 to 5, going from lowest to highest luminous flux. The highest rating of a subzone is considered the overall rating for that zone, and these readings are compiled into the BUG lighting classification: for example, B3 U1 G0. The tables below, which are based on the standards established by the IES, show the thresholds for each subzone.



American LED - 3k BUG Data																														
Configuration	# LEDs	Current	T1			T2			T3			T4			T4A			T5			T5W			T5WR			Wattage			
			B	U	G	B	U	G	B	U	G	B	U	G	B	U	G	B	U	G	B	U	G	B	U	G				
AME-2	80	350	3	0	3	2	0	3	2	0	2	2	0	2	2	0	2	2	0	2	3	0	2	4	0	2	3	0	2	85
		530	4	0	4	3	0	3	2	0	2	2	0	3	2	0	2	3	0	2	4	0	2	4	0	2	4	0	2	119
AME-2	144	350	4	0	4	3	0	3	3	0	3	3	0	3	3	0	3	3	0	2	4	0	2	4	0	2	4	0	3	154
		530	4	0	4	3	0	4	3	0	3	3	0	4	3	0	3	4	0	3	4	0	2	5	0	3	5	0	3	229
AME-4	224	350	5	0	5	4	0	5	3	0	4	3	0	4	3	0	4	3	0	3	5	0	3	5	0	3	5	0	3	237
		530	5	0	5	4	0	5	3	0	5	4	0	5	4	0	3	5	0	4	5	0	4	5	0	4	5	0	4	363

American LED - 4k BUG Data																														
Configuration	# LEDs	Current	T1			T2			T3			T4			T4A			T5			T5W			T5WR			Wattage			
			B	U	G	B	U	G	B	U	G	B	U	G	B	U	G	B	U	G	B	U	G	B	U	G				
AME-2	80	350	3	0	3	2	0	3	2	0	2	2	0	2	2	0	2	3	0	2	4	0	2	4	0	2	4	0	2	85
		530	4	0	4	3	0	3	2	0	2	2	0	3	2	0	2	4	0	2	4	0	2	4	0	2	4	0	2	119
AME-2	144	350	4	0	4	3	0	3	3	0	3	3	0	3	3	0	2	4	0	2	4	0	2	4	0	2	4	0	3	154
		530	5	0	5	3	0	4	3	0	3	3	0	4	3	0	3	4	0	2	5	0	3	5	0	3	5	0	3	229
AME-4	224	350	5	0	5	4	0	5	3	0	4	3	0	4	3	0	3	5	0	3	5	0	3	5	0	3	5	0	3	237
		530	5	0	5	4	0	5	3	0	5	4	0	5	4	0	3	5	0	4	5	0	4	5	0	4	5	0	4	363

American LED - 5k BUG Data																														
Configuration	# LEDs	Current	T1			T2			T3			T4			T4A			T5			T5W			T5WR			Wattage			
			B	U	G	B	U	G	B	U	G	B	U	G	B	U	G	B	U	G	B	U	G	B	U	G				
AME-2	80	350	3	0	3	2	0	3	2	0	2	2	0	2	2	0	2	3	0	2	4	0	2	4	0	2	3	0	2	85
		530	4	0	4	3	0	3	2	0	2	2	0	3	2	0	2	3	0	2	4	0	2	4	0	2	4	0	2	119
AME-2	144	350	4	0	4	3	0	3	3	0	3	3	0	3	3	0	2	4	0	2	4	0	2	4	0	2	4	0	3	154
		530	5	0	5	3	0	4	3	0	3	3	0	4	3	0	3	4	0	2	5	0	3	5	0	3	5	0	3	229
AME-4	224	350	5	0	5	4	0	5	3	0	4	3	0	4	3	0	3	5	0	3	5	0	3	5	0	3	5	0	3	237
		530	5	0	5	4	0	5	3	0	5	4	0	5	4	0	3	5	0	4	5	0	4	5	0	4	5	0	4	363