

PRE-2-L LED Specifications



Project Name:

Catalog Number:

Type:

Contemporary design meets the new generation of LED green technology in this stunning luminaire, the **PRE-2-L**. The Premier II series provides over fifty percent energy savings over traditional HID light sources; and offers excellent beam control and LED life beyond 100,000 hours for 350 milliamp systems. The PRE-2-L is offered in six optical distributions.

The PRE-2-L's fully-sealed housing features an exceptionally well-designed thermal management system that provides superior heat dissipation.

The PRE-2-L fixture is built with a cast aluminum housing, extruded aluminum arms and a spun aluminum, removable top.

The popular **PRE-2-L** is the perfect compliment to any university campus, business park, or walkway project where contemporary, architectural design is desired.

Ordering Information

MODEL	OPTICS	SOURCE	CURRENT	KELVIN	VOLTAGE	MOUNTING	FINISH	OPTIONS
PRE-2-L	T1	32LC	3 350mA	3K 3000K	UNV 120-277V	PT Post Top *Slips over 4" OD tenon X 4.5" tall as standard	BZ Bronze	PC-120 PC-208 PC-240
	T2	48LC	5 530mA	4K 4000K	8 347V		BK Black	PC-277 Button Type Photocell
	T3	64LC	7 700mA	5K 5000K	5 480V		SBK Smooth Black	WSC-8 Motion Sensor 8' Mounting Height
	T4	80LC					WH White	WSC-20 Motion Sensor 9-20' Mounting Height
	T5	96LC					SWH Smooth White	WSC-40 Motion Sensor 21-40' Mounting Height
	T5W						GP Graphite	This option will require (1) FSIR 100 remote for programming
							GY Grey	
							SL Silver Metallic	
							CC Custom Color	DIM 0-10v Dimming Driver
								VWC Visionaire Wireless Controls *Consult Factory
								IR-(R, B, G) Illuminated Rings (Red, Blue, Green)

Features & Specifications

PRE-2-L

Housing

The PRE-2-L's housing is constructed from durable, corrosion-resistant, cast aluminum. The spun aluminum top cap is .080 gauge, and easily removable for service. Silicone gasketing is provided for complete weather and insect protection.

Thermal Management

The PRE-2-L provides excellent overall thermal management by maximizing the efficiency of the heat sink in the fixture. This enables the Premier II to withstand higher ambient temperatures and higher drive currents without degrading LED life.

Optical System

The highest lumen output LEDs are utilized. High-performance acrylic optics feature industry leading Type I, II, III, IV, V and VW optical distributions. Acrylic optics are impact-resistant and rated to 94 percent translucence.

L70 life of our LEDs is rated over 100,000 hours (for 350 mA), The optical system qualifies as IES full cutoff to restrict light trespass, glare and light pollution for neighborhood-friendly lighting. CRI values are 70.

Quali-Guard® Finish

Fixture components are chemically pretreated through a multiple-stage washer, and finished with an electrostatically-applied, thermoset polyester powder coat textured paint with a 3 to 5 mils thickness. Finish is oven-baked at 400 °F for maximum adherence and finish hardness. Available in standard and custom colors. Finish is guaranteed for five (5) years.

Post Top Mount

- The PRE-2-L's contractor-friendly mounting hardware slips over 3" or 4" O.D. x 4" tall tenon utilizing stainless steel hardware.
- Round Internal Tenon Adaptors (RITA) are recommended for a smooth-looking connection. Standard for 4" poles, custom size required for 3" or 5" poles.

Electrical Assembly

- The PRE-2-L is supplied with a high-performance driver available in 350, 530 or 700mA. The driver is integrally-located in the housing, and is operational from 120 V through 480 V, 50 Hz to 60 Hz input. Power factor is 90%.
- Rated for -40o to 50°C operation.
- 10 kV surge protector supplied as standard.

Warranty

Five (5) year Limited Warranty on entire system, including finish. For full warranty information, please visit www.visionairelighting.com.

Options

- Button type photocell
- 0-10v Dimming Driver
- WattStopper FSP-211
- Motion Sensor
- Wireless Control
- Illuminated Ring

Please consult factory for detailed custom options.

Listings

- PRE-2-L is cUL listed
- DLC Listed
- IDA Certification
- IP66 Rated
- LM79 and LM80
- Powder Coated Tough™



DesignLights Consortium (DLC) qualified Product. Some configurations of this product family may not be DesignLights Consortium (DLC) listed, please refer to the DLC qualified products list to confirm listed configurations. <http://www.designlights.org/>
3000K must be selected for IDA certification.

PRE-2-L - Electrical Load (A)							
Ordering Nomenclature	System Watts	120V	208V	240V	277V	347V	480V
PRE-2-L-T5-32LD-3-4K	35	0.29	0.17	0.15	0.13	0.10	0.07
PRE-2-L-T5-32LD-5-4K	56	0.47	0.27	0.23	0.20	0.16	0.12
PRE-2-L-T5-32LD-7-4K	73	0.61	0.35	0.30	0.26	0.21	0.15
PRE-2-L-T5-48LD-3-4K	55	0.46	0.26	0.23	0.20	0.16	0.11
PRE-2-L-T5-48LD-5-4K	80	0.67	0.38	0.33	0.29	0.23	0.17
PRE-2-L-T5-48LD-7-4K	106	0.88	0.51	0.44	0.38	0.31	0.22
PRE-2-L-T5-64LD-3-4K	71	0.59	0.34	0.30	0.26	0.20	0.15
PRE-2-L-T5-64LD-5-4K	104	0.87	0.50	0.43	0.38	0.30	0.22
PRE-2-L-T5-64LD-7-4K	139	1.16	0.67	0.58	0.50	0.40	0.29
PRE-2-L-T5-80LD-3-4K	84	0.70	0.40	0.35	0.30	0.24	0.18
PRE-2-L-T5-80LD-5-4K	128	1.07	0.62	0.53	0.46	0.37	0.27
PRE-2-L-T5-80LD-7-4K	176	1.47	0.85	0.73	0.64	0.51	0.37
PRE-2-L-T5-96LD-3-4K	101	0.84	0.49	0.42	0.36	0.29	0.21
PRE-2-L-T5-96LD-5-4K	152	1.27	0.73	0.63	0.55	0.44	0.32
PRE-2-L-T5-96LD-7-4K	209	1.74	1.00	0.87	0.75	0.60	0.44

PRE-2-L LED Specifications

Photometric Optical Summary



EPA Data

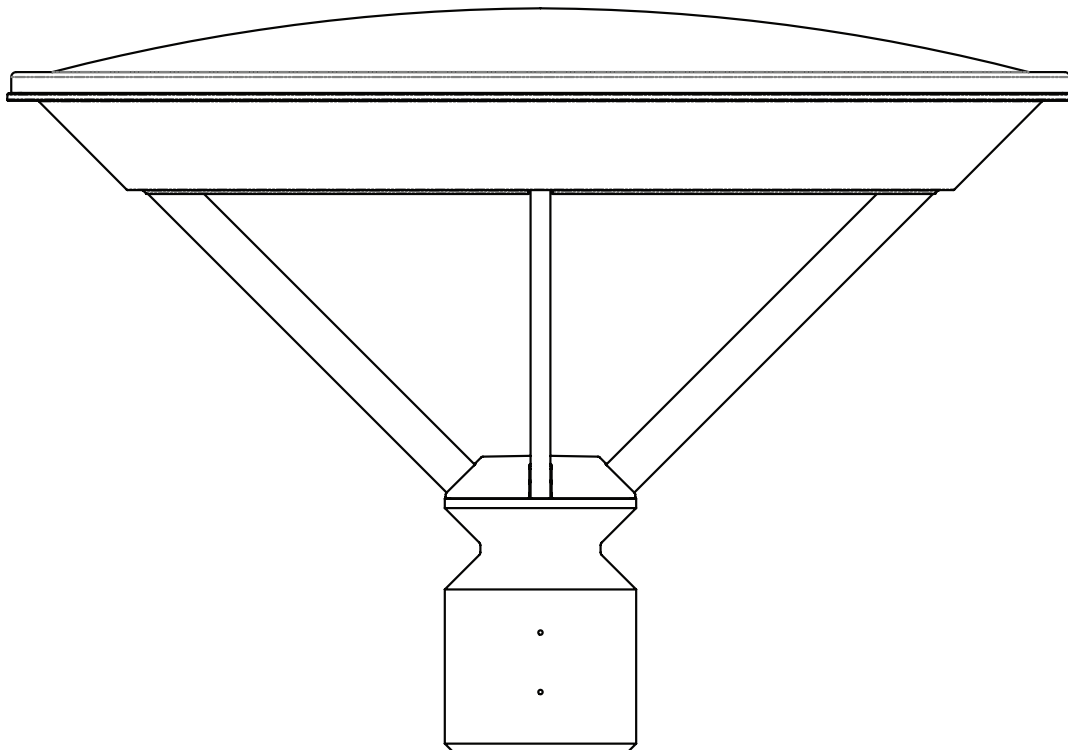
●
1.2

Dimensions

Width: PRE-2-L 27"

Height: PRE-2-L 19"

Weight: 56 LBS



Motion Sensor Default Setting									
Type	High Mode	Low Mode	Time Delay	Cut off Delay	Sensitivity	Hold Off Set Point	Photocell On/Off	Ramp up Time	Fade Down Time
WSC- Default	10V	1V	5 Min	1 Hour	Max	Disabled	Disabled	Disabled	Disabled
WSC Range	0-10V	0-9.8V	5-30 Min	1-5 Hours	Low, Med, Max	1-250FC	1-250FC	1-60 Dec	1-60 Dec



LED Specifications **PRE-2-L**

PRE-2-L 3K Lumen Data																																
# LEDs	mA	Type 1	B	U	G	LPW	Type 2	B	U	G	LPW	Type 3	B	U	G	LPW	Type 4	B	U	G	LPW	Type 5	B	U	G	LPW	Type 5W	B	U	G	LPW	Watts
32	350	4531	2	0	2	129	4171	1	0	2	119	4135	1	0	1	118	4064	1	0	1	116	4469	2	0	1	128	4265	3	0	1	122	35
	530	6610	3	0	3	118	6085	2	0	2	109	6032	1	0	2	108	5929	1	0	2	106	6519	3	0	1	116	6222	3	0	1	111	56
	700	8423	3	0	3	115	7753	2	0	2	106	7687	11	0	2	105	7555	1	0	2	103	8307	3	0	1	114	7928	3	0	2	109	73
48	350	6916	3	0	3	126	6366	2	0	2	116	6311	1	0	2	115	6203	1	0	2	113	6821	3	0	1	124	6509	3	0	1	118	55
	530	9810	3	0	3	123	9030	2	0	3	113	8952	2	0	2	112	8799	2	0	2	110	9675	3	0	2	121	9233	3	0	2	115	80
	700	12431	3	0	3	117	11443	3	0	3	108	11344	2	0	2	107	11150	2	0	2	105	12260	3	0	2	116	11700	4	0	2	110	106
64	350	9000	3	0	3	127	8284	2	0	3	117	8213	2	0	2	116	8072	1	0	2	114	8876	3	0	1	125	8470	3	0	2	119	71
	530	12766	3	0	3	123	11750	3	0	3	113	11650	2	0	2	112	11450	2	0	2	110	12590	3	0	2	121	12015	4	0	2	116	104
	700	16122	4	0	4	116	14839	3	0	3	107	14712	2	0	2	106	14460	2	0	3	104	15900	4	0	2	114	15173	4	0	2	109	139
80	350	11149	3	0	3	133	10262	2	0	3	122	10174	2	0	2	121	10000	2	0	2	119	10996	3	0	2	131	10493	4	0	2	125	84
	530	15876	4	0	4	124	14614	3	0	3	114	14488	2	0	2	113	14240	2	0	3	111	15658	4	0	2	122	14943	4	0	2	117	128
	700	19801	4	0	4	113	18226	3	0	3	104	18069	3	0	3	103	17760	3	0	3	101	19528	4	0	2	111	18636	4	0	2	106	176
96	350	13212	3	0	3	131	12161	3	0	3	120	12057	2	0	2	119	11850	2	0	2	117	13030	3	0	2	129	12435	4	0	2	123	101
	530	18552	4	0	4	122	17077	3	0	3	112	16930	3	0	3	111	16640	2	0	3	109	18297	4	0	2	120	17461	4	0	2	115	152
	700	23380	4	0	4	112	21520	3	0	4	103	21335	3	0	3	102	20970	3	0	3	100	23058	4	0	2	110	22005	5	0	3	105	209
PRE-2-L 4K Lumen Data																																
32	350	4769	2	0	2	136	4390	1	0	2	125	4352	1	0	1	124	4278	1	0	1	122	4704	2	0	1	134	4489	3	0	1	128	35
	530	6958	3	0	3	124	6405	2	0	2	114	6350	1	0	2	113	6241	1	0	2	111	6862	3	0	1	123	6549	3	0	1	117	56
	700	8866	3	0	3	121	8161	2	0	2	112	8091	1	0	2	111	7953	1	0	2	109	8744	3	0	1	120	8345	3	0	2	114	73
48	350	7280	3	0	3	132	6701	2	0	2	122	6643	1	0	2	121	6529	1	0	2	119	7180	3	0	1	131	6852	3	0	1	125	55
	530	10326	3	0	3	129	9505	2	0	3	119	9424	2	0	2	118	9262	2	0	2	116	10184	3	0	2	127	9719	3	0	2	121	80
	700	13086	3	0	3	123	12045	3	0	3	114	11941	2	0	2	113	11737	2	0	2	111	12905	3	0	2	122	12316	4	0	2	116	106
64	350	9473	3	0	3	133	8720	2	0	3	123	8645	2	0	2	122	8497	2	0	2	120	9343	3	0	1	132	8916	3	0	2	126	71
	530	13438	3	0	3	129	12369	3	0	3	119	12263	2	0	2	118	12053	2	0	2	116	13253	3	0	2	127	12647	4	0	2	122	104
	700	16970	4	0	4	122	15620	3	0	3	112	15486	2	0	3	111	15221	2	0	3	110	16736	4	0	2	120	15972	4	0	2	115	139
80	350	11736	3	0	3	140	10803	3	0	3	129	10710	2	0	2	127	10526	2	0	2	125	11574	3	0	2	138	11046	4	0	2	131	84
	530	16712	4	0	4	131	15383	3	0	3	120	15251	2	0	2	119	14989	2	0	3	117	16482	4	0	2	129	15729	4	0	2	123	128
	700	20843	4	0	4	118	19185	3	0	4	109	19021	3	0	3	108	18695	3	0	3	106	20556	4	0	2	117	19617	4	0	2	111	176
96	350	13907	3	0	3	138	12801	3	0	3	127	12691	2	0	2	126	12474	2	0	2	124	13715	4	0	2	136	13089	4	0	2	130	101
	530	19529	4	0	4	128	17975	3	0	3	118	17821	3	0	3	117	17516	3	0	3	115	19260	4	0	2	127	18380	4	0	2	121	152
	700	24610	4	0	4	118	22653	3	0	4	108	22458	3	0	3	107	22074	3	0	4	106	24271	4	0	2	116	23163	5	0	3	111	209
PRE-2-L 5K Lumen Data																																
32	350	4577	2	0	2	131	4213	1	0	2	120	4177	1	0	1	119	4105	1	0	1	117	4514	2	0	1	129	4308	3	0	1	123	35
	530	6677	3	0	3	119	6146	2	0	2	110	6093	1	0	2	109	5989	1	0	2	107	6585	3	0	1	118	6284	3	0	1	112	56
	700	8508	3	0	3	117	7832	3	0	2	107	7764	1	0	2	106	7631	1	0	2	105	8391	3	0	1	115	8008	3	0	2	110	73
48	350	6986	3	0	3	127	6430	2	0	2	117	6375	1	0	2	116	6266	1	0	2	114	6889	3	0	1	125	6575	3	0	1	120	55
	530	9909	3	0	3	124	9121	2	0	3	114	9043	2	0	2	113	8888	2	0	2	111	9773	3	0	2	122	9326	3	0	2	117	80
	700	12557	3	0	3	118	11558	3	0	3	109	11459	2	0	2	108	11263	2	0	2	106	12384	3	0	2	117	11818	4	0	2	111	106
64	350	9090	3	0	3	128	8367	2	0	3	118	8296	2	0	2	117	8154	1	0	2	115	8965	3	0	1	126	8556	3	0	2	121	71
	530	12895	3	0	3	124	11869	3	0	3	114	11767	2	0	2	113	11566	2	0	2	111	12717	3	0	2	122	12136	4	0	2	117	104
	700	16284	4	0	4	117	14989	3	0	3	108	14861	2	0	2	107	14606	2	0	3	105	16060	4	0	2	116	15327	4	0	2	110	139
80	350	11262	3	0	3	134	10366	2	0	3	123	10277	2	0	2	122	10101	2	0	2	120	11107	3	0	2	132	10599	4	0	2	126	84
	530	16037	4	0	4	125	14761	3	0	3	115	14635	2	0	2	114	14384	2	0	3	112	15816	4	0	2	124	15094	4	0	2	118	128
	700	20001	4	0	4	114	18410	3	0	4	105	18252	3	0	3	104	17939	3	0	3	102	19725	4	0	2	112	18825	4	0	2	107	176
96	350	13345	3	0	3	132	12284	3	0	3	122	12178	2	0	2	121	11970	2	0	2	119	13161	3	0	2	130	12560	4	0	2	124	101
	530	18739	4	0	4	123	17249	3	0	3	113	17101	3	0	3	113	16808	3	0	3	111	18481	4	0	2	122						