

PRE-2-M LED Specifications



Project Name:

Catalog Number:

Type:

Contemporary design meets the new generation of LED green technology in this stunning luminaire, the **PRE-2-M**. The PRE-2-M series provides up to fifty percent energy savings over traditional HID light sources; and offers excellent beam control and LED life beyond 100,000 hours for 350 milliamp systems. The PRE-2-M is offered in six optical distributions.

The PRE-2-M's fully-sealed housing features an exceptionally well-designed thermal management system that provides superior heat dissipation.

The PRE-2-M fixture is built with a cast aluminum housing, extruded aluminum arms and a spun aluminum, removable top.

The popular **PRE-2-M** is the perfect compliment to any university campus, business park, or walkway project where contemporary, architectural design is desired.

Ordering Information

MODEL	OPTICS	SOURCE	CURRENT	KELVIN	VOLTAGE	MOUNTING	FINISH	OPTIONS	OPTIONS
PRE-2-M	T1 Type 1	16LC	3 350mA	TS 590 nm	UNV 120-277V	PT Post Top *Slips over 3" OD tenon X 4.5" tall as standard	BZ Bronze	PC-120	DIM 0-10v Dimming Driver
	T2 Type 2	32LC	5 530mA		8 347V		BK Black	PC-208	
	T3 Type 3	48LC		5 480V	SBK Smooth Black	WSC-8 Motion Sensor 8' Mounting Height	PER 3, 5, or 7 Pin Photo Receptacle w/shorting cap		
	T4 Type 4				WH White	WSC-20 Motion Sensor 9-20' Mounting Height			
	T5 Type 5				SWH Smooth White	GP Graphite	WSC-40 Motion Sensor 21-40' Mounting Height This option will require (1) FSIR 100 remote for programming		
	T5W Type 5 Wide					GY Grey			
	T5WR Type 5 Wide Round					SL Silver Metallic			
						CC Custom Color			

Housing

The PRE-2-M's housing is constructed from durable, corrosion-resistant, cast aluminum. The spun aluminum top cap is .080 gauge, and easily removable for service. Silicone gasketing is provided for complete weather and insect protection.

Thermal Management

The PRE-2-M provides excellent overall thermal management by maximizing the efficiency of the heat sink in the fixture. This enables the PRE-2-M to withstand higher ambient temperatures and higher drive currents without degrading LED life.

Optical System

- The highest lumen output LEDs are utilized. High-performance acrylic optics feature industry leading Type 1, 2, 3, 4, 5, 5W and 5WR optical distributions. Acrylic optics are impact-resistant and rated to 94 percent translucence.
- L70 life of our LEDs is rated over 100,000 hours (for 350 mA), The optical system qualifies as IES full cutoff to restrict light trespass, glare and light pollution for neighborhood-friendly lighting.

Quali-Guard® Finish

Fixture components are chemically pretreated through a multiple-stage washer, and finished with an electrostatically-applied, thermoset polyester powder coat textured paint with a 3 to 5 mils thickness.

- Finish is oven-baked at 400 °F for maximum adherence and finish hardness.
- Available in standard and custom colors.
- Finish is guaranteed for five (5) years.

Post Top Mount

The PRE-2-M contractor-friendly mounting hardware slips over 3" OD tenon X 4.5" tall as standard utilizing stainless steel hardware.

Electrical Assembly

- The PRE-2-M is supplied with a high-performance driver available in 350, 530 or 700. The driver is integrally-located in the housing, and is operational from 120 V through 480 V, 50 Hz to 60 Hz input.
- Power factor is 90%.
- Rated for -40o to 50° C operation.
- 10 kV surge protector supplied as standard.

Warranty

Five (5) year Limited Warranty on entire system, including finish. For full warranty information, please visit www.visionairelighting.com.

Options

- Button type photocell
 - 0-10v Dimming Driver
 - WattStopper FSP-211
 - Motion Sensor
 - Wireless Control
 - Photo Receptacle
- Please consult factory for detailed custom options.

Listings

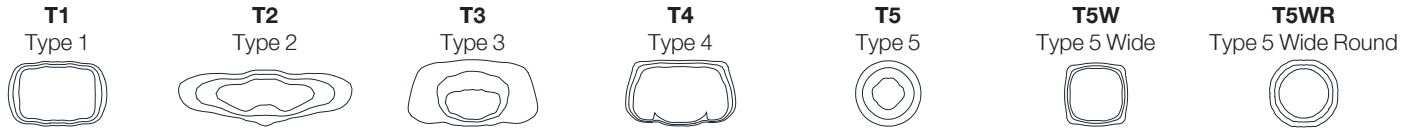
- PRE-2-M is cUL listed
- IDA Certification
- IP66 Rated
- LM79 and LM80
- Powder Coated Tough™



PRE-2-M - Electrical Load (A)							
Ordering Nomenclature	System Watts	120V	208V	240V	277V	347V	480V
PRE-2-M-T5-16LC-3-4K	18	0.15	0.09	0.08	0.06	0.05	0.04
PRE-2-M-T5-16LC-5-4K	26	0.22	0.13	0.11	0.09	0.07	0.05
PRE-2-M-T5-32LC-3-4K	35	0.29	0.17	0.15	0.13	0.10	0.07
PRE-2-M-T5-32LC-5-4K	56	0.47	0.27	0.23	0.20	0.16	0.12
PRE-2-M-T5-48LC-3-4K	55	0.46	0.26	0.23	0.20	0.16	0.11
PRE-2-M-T5-48LC-5-4K	80	0.67	0.38	0.33	0.29	0.23	0.17

PRE-2-M Turtle Safe LED Specifications

Photometric Optical Summary



EPA Data

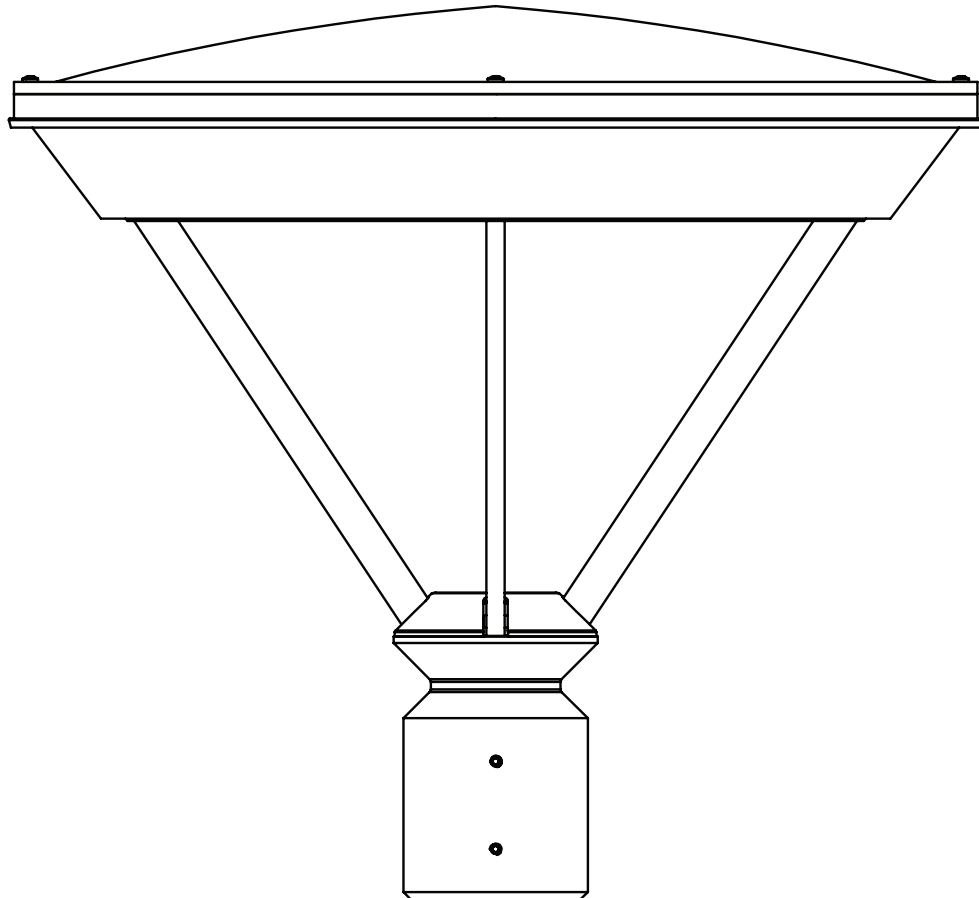

.88

Dimensions

Width: PRE-2-M 20"

Height: PRE-2-M 18.4"

Weight: 37 LBS



Motion Sensor Default Setting									
Type	High Mode	Low Mode	Time Delay	Cut off Delay	Sensitivity	Hold Off Set Point	Photocell On/Off	Ramp up Time	Fade Down Time
WSC- Default	10V	1V	5 Min	1 Hour	Max	Disabled	Disabled	Disabled	Disabled
WSC Range	0-10V	0-9.8V	5-30 Min	1-5 Hours	Low, Med, Max	1-250FC	1-250FC	1-60 Dec	1-60 Dec

PRE-2-M- TURTLE SAFE LUMEN DATA CHART									
# LEDs	Current (mA)	T1	T2	T3	T4	T5	T5W	T5WR	Watts
16	350	533	490	486	478	526	502	502	18
	530	731	672	667	677	721	688	688	26
32	350	1041	958	950	934	1026	980	980	35
	530	1518	1398	1386	1362	1497	1429	1430	56
48	350	1589	1462	1450	1425	1567	1495	1496	55
	530	2253	2074	2056	2021	2222	2121	2122	80

PRE-2-M- TURTLE SAFE LPW									
# LEDs	Current (mA)	T1	T2	T3	T4	T5	T5W	T5WR	Watts
16	350	30	27	27	27	29	28	28	18
	530	28	26	26	26	28	26	26	26
32	350	30	27	27	27	29	28	28	35
	530	27	25	25	24	27	26	26	56
48	350	29	27	26	26	28	27	27	55
	530	28	26	26	25	28	27	27	80

