

# PGAS-2 LED Specifications



Project Name:

Catalog Number:

Type:

The **PGAS-2 LED** luminaire from Visionaire combines contemporary design with new LED technology; while maintaining a traditional fixture image. The LED performance and Life are maximized by the unique integral aluminum heat sink. It is an ideal replacement for the high-maintenance fluorescent or HID fixtures of yesterday.

The LED housing is cast aluminum with internal heat sink for maximum heat dissipation; with 16 or 32 LEDs. The cast aluminum driver compartment allows the driver to operate cooler for long life.

Three optical distribution patterns are available. Choose between 3000, 4000 or 5000 Kelvin temperature of the LED's.

A durable polyester powder coat finish is guaranteed for five years; and is available in standard or custom colors.

The **PGAS-2 LED** series is an exceptional choice for all wall mount applications.

## Ordering Information

MODEL	OPTICS	SOURCE	CURRENT	KELVIN	VOLTAGE	MOUNTING	FINISH	OPTIONS	OPTIONS
PGAS-2	<b>T2</b> Type 2	<b>16LC</b>	<b>3</b> 350mA	<b>3K</b> 3000K	<b>UNV</b> 120-277V	<b>WM</b> Wall Mount	<b>BZ</b> Bronze	<b>PC-120</b> Button Type Photocell	<b>EBPL</b> Emergency Battery Pack 120V-277V Only
	<b>T3</b> Type 3	<b>32LC</b>	<b>5</b> 530mA	<b>4K</b> 4000K	<b>8</b> 347V		<b>BK</b> Black	<b>PC-208</b> Button Type Photocell	<b>WVC</b> Visionaire Wireless Controls Consult Factory
	<b>T4</b> Type 4		<b>7</b> 700mA	<b>5K</b> 5000K	<b>5</b> 480V		<b>SBK</b> Smooth Black	<b>PC-240</b> Button Type Photocell	
							<b>WH</b> White	<b>PC-277</b> Button Type Photocell	<b>BP</b> Back Plate
							<b>SWH</b> Smooth White	<b>WCS-8</b> Motion Sensor 8' Mounting Height	<b>EBPL-CLD</b> Cold Weather Emergency Battery Pack *Universal Voltage only Rated for -20° C to 50° C
							<b>GP</b> Graphite	<b>WCS-20</b> Motion Sensor 9-20' Mounting Height	* Not available in Up Light Orientation
							<b>GY</b> Grey		
							<b>SL</b> Silver Metallic		
							<b>CC</b> Custom Color	<b>WCS-40</b> Motion Sensor 21-40' Mounting Height	

\*WCS options will require (1) FSIR 100 remote for programing

### Housing

Heavy duty cast aluminum housing with internal heat sink for maximum heat dissipation. Silicone gasket is used for weather tight operation.

### Mounting

A Wall Mount bracket can be secured directly to a 4"-5" recessed junction box.

### Thermal Management

The PGAS series provides excellent thermal management by mounting the LEDs to the substantial heat sink within the housing. This enables the Luminaire to withstand higher ambient temperatures and driver currents without degrading LED life.

### Optical System

- The highest lumen output LEDs are utilized. High-performance acrylic optics feature industry leading Type II, III, and IV optical distributions. Acrylic optics are impact-resistant and rated to 94 percent translucence.
- L70 life of our LEDs is rated over 100,000 hours (for 700 mA), The optical system qualifies as IES full cutoff to restrict light trespass, glare and light pollution for neighborhood-friendly lighting.
- CRI values are 70.

### Quali-Guard® Finish

The finish is a Quali-Guard® textured, chemically pretreated through a multiple-stage washer, electrostatically applied, thermoset polyester powder coat finish, with a minimum of 3-5 millimeter thickness. Finish is oven-baked at 400° F to promote maximum adherence and finish hardness.

- All finishes are available in standard and custom colors.
- Finish is guaranteed for five (5) years.

### Electrical Assembly

The PGAS-2 LED series is supplied with a choice of 350, 530 or 700 high-performance LED drivers that accept 120v thru 480v, 50 Hz to 60 Hz, input.

- Power factor of 90%.
- Rated for -40°C operations.
- 10 kV surge protector supplied as standard.

### Warranty

Five (5) year Limited Warranty on electrical components, Five (5) year on finish. For full warranty information, please visit [visionairelighting.com](http://visionairelighting.com).

### Options

- Button Style Photocell
- Watt Stopper FSP-211
- Back Plate
- Emergency Battery Pack
- Wireless Control
- Cold Weather Emergency Battery Pack (Rated for -20°C)

### Listings

- PGAS-2 is cUL listed, suitable for wet locations.
- IP66 Rated
- Powder Coated Tough™



3000K must be selected for IDA certification.  
Fixed mount must be selected for IDA dark sky certification.

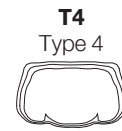
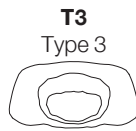
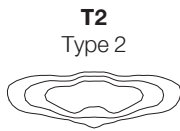
PGAS-2 - Electrical Load (A)							
Ordering Nomenclature	System Watts	120V	208V	240V	277V	347V	480V
PGAS-2-T3-16LC-350MA	18	0.14	0.08	0.07	0.06	0.05	0.04
PGAS-2-T3-16LC-530MA	26	0.22	0.12	0.11	0.09	0.07	0.05
PGAS-2-T3-16LC-700MA	37	0.28	0.16	0.14	0.12	0.10	0.07
PGAS-2-T3-32LC-350MA	34	0.28	0.16	0.14	0.12	0.10	0.07
PGAS-2-T3-32LC-530MA	53	0.43	0.25	0.22	0.19	0.15	0.11
PGAS-2-T3-32LC-700MA	70	0.58	0.33	0.29	0.25	0.20	0.14

Motion Sensor Default Setting									
FSP - 211	High Mode	Low Mode	Time Delay	Cut Off Delay	Sensitivity	Hold Off Setpoint	Photocell On/Off	Ramp Up Time	Fade Down Time
WSC - Default	10V	1V	5 Minutes	1 Hour	Max	Disabled	Disabled	Disabled	Disabled
WSC Range	0-10V	0-9.8V	5-30 Minutes	1-5 Hours	Low, Med, Max	1-250FC	1-250FC	1-60 Dec	1-60 Dec

\*Settings can be field modified with the FSIR-100 Programming remote

# PGAS-2 LED Specifications

## Photometric Optical Summary



## Dimensions

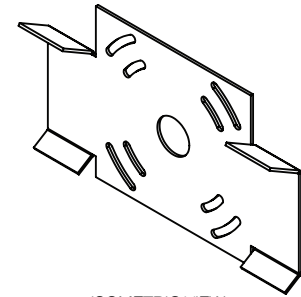
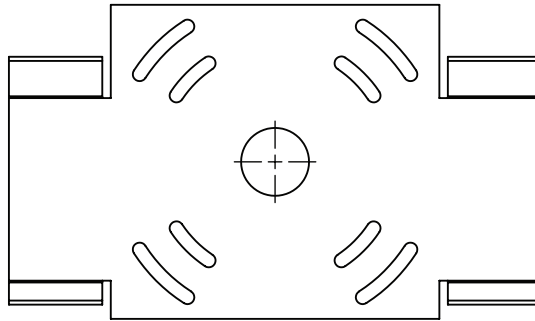
**Width:** PGAS-2 17.96"

**Height:** PGAS-2 5.53"

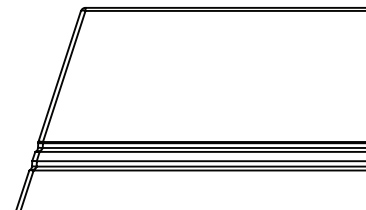
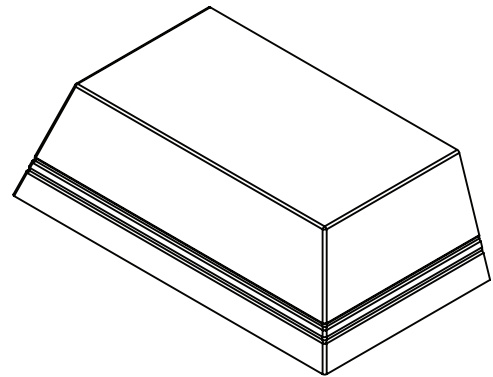
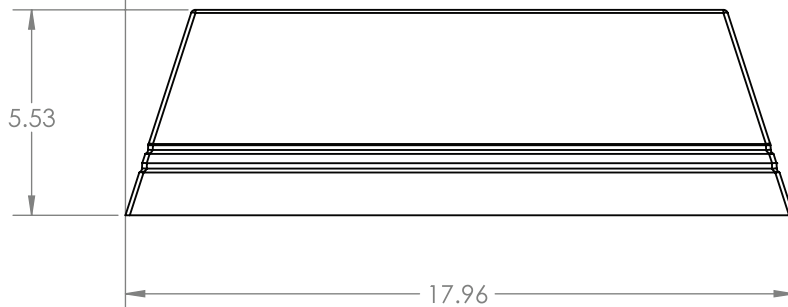
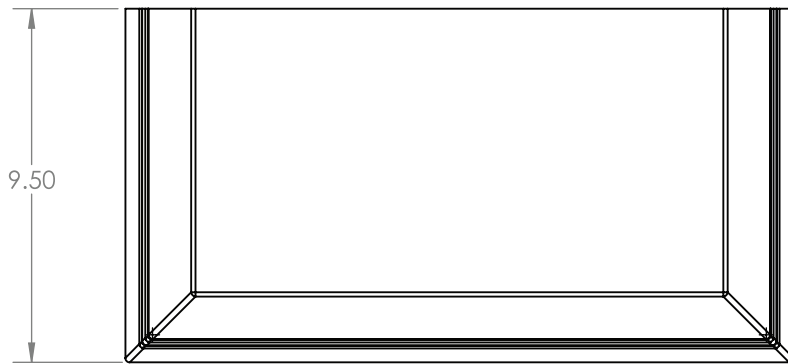
**Depth:** PGAS-2 9.50"

**Weight:** 20 LBS

Bracket Wall Mount Support  
Compatible with 4" and 5" J-Box



ISOMETRIC VIEW



PGAS-2 3K LUMEN DATA						PGAS-2 3K LUMEN DATA																	
# LEDs	mA	T2	T3	T4	Power (W)	# LEDs	mA	T2	T3	T4	Power (W)												
16	350	2261	2271	2210	17	32	350	4448	4359	4380	34												
	530	3103	3117	3033	26		530	6280	6155	6185	52												
	700	4009	4027	3919	34		700	7810	7654	7691	69												
PGAS-2 4K LUMEN DATA						PGAS-2 4K LUMEN DATA																	
# LEDs	mA	T2	T3	T4	Power (W)	# LEDs	mA	T2	T3	T4	Power (W)												
16	350	2235	2245	2185	17	32	350	4541	4450	4472	34												
	530	3068	3082	2999	26		530	6253	6128	6158	52												
	700	3964	3982	3875	34		700	7645	7492	7528	69												
PGAS-2 5K LUMEN DATA						PGAS-2 5K LUMEN DATA																	
# LEDs	mA	T2	T3	T4	Power (W)	# LEDs	mA	T2	T3	T4	Power (W)												
16	350	2191	2201	2142	17	32	350	4437	4348	4369	34												
	530	3007	3020	2939	26		530	6220	6096	6125	52												
	700	3885	3903	3798	34		700	7556	7405	7441	69												
PGAS-2 3K LPW DATA						PGAS-2 3K LPW DATA																	
# LEDs	mA	T2	T3	T4	Power (W)	# LEDs	mA	T2	T3	T4	Power (W)												
16	350	133	134	130	17	32	350	131	128	129	34												
	530	119	120	117	26		530	121	118	119	52												
	700	118	118	115	34		700	113	111	111	69												
PGAS-2 4K LPW DATA						PGAS-2 4K LPW DATA																	
# LEDs	mA	T2	T3	T4	Power (W)	# LEDs	mA	T2	T3	T4	Power (W)												
16	350	131	132	129	17	32	350	134	131	132	34												
	530	118	119	115	26		530	120	118	118	52												
	700	117	117	114	34		700	111	109	109	69												
PGAS-2 5K LPW DATA						PGAS-2 5K LPW DATA																	
# LEDs	mA	T2	T3	T4	Power (W)	# LEDs	mA	T2	T3	T4	Power (W)												
16	350	129	129	126	17	32	350	130	128	128	34												
	530	116	116	113	26		530	120	117	118	52												
	700	114	115	112	34		700	110	107	108	69												
PGAS-2 3K BUG DATA						PGAS-2 3K BUG DATA																	
# LEDs	mA	T2			T3			T4			Power (W)	# LEDs	mA	T2			T3			T4			Power (W)
		B	U	G	B	U	G	B	U	G				B	U	G	B	U	G	B	U	G	
16	350	1	0	1	1	0	1	1	0	1	17	32	350	1	0	2	1	0	1	1	0	1	34
	530	1	0	1	1	0	1	1	0	1	26		530	1	0	2	2	0	2	2	0	2	52
	700	1	0	1	1	0	1	1	0	1	34		700	2	0	3	2	0	2	2	0	2	69
PGAS-2 4K BUG DATA						PGAS-2 4K BUG DATA																	
# LEDs	mA	T2			T3			T4			Power (W)	# LEDs	mA	T2			T3			T4			Power (W)
		B	U	G	B	U	G	B	U	G				B	U	G	B	U	G	B	U	G	
16	350	1	0	1	1	0	1	1	0	1	17	32	350	1	0	2	1	0	1	1	0	1	34
	530	1	0	1	1	0	1	1	0	1	26		530	1	0	2	2	0	2	2	0	2	52
	700	1	0	1	1	0	1	1	0	1	34		700	2	0	2	2	0	2	2	0	2	69
PGAS-2 5K BUG DATA						PGAS-2 5K BUG DATA																	
# LEDs	mA	T2			T3			T4			Power (W)	# LEDs	mA	T2			T3			T4			Power (W)
		B	U	G	B	U	G	B	U	G				B	U	G	B	U	G	B	U	G	
16	350	1	0	1	1	0	1	1	0	1	17	32	350	1	0	2	1	0	1	1	0	1	34
	530	1	0	1	1	0	1	1	0	1	26		530	1	0	2	2	0	2	2	0	2	52
	700	1	0	1	1	0	1	1	0	1	34		700	2	0	2	2	0	2	2	0	2	69