

# CROSS BOW - BOLLARD LED Specifications



Project Name:

Catalog Number:

Type:

The **Cross Bow LED** Series continues the unique contemporary design inspired by the sleek styling of the BOW Collection. Separating the Driver(s) from the individual die-cast aluminum linear LED engines; optimize the life of the LEDs and the Driver(s); and maximizes the lumen output of the fixture.

The LED light assemblies come in multiples of 16 LEDs; and are offered in up to 32 LEDs.

Six optical distribution patterns are available. Choose between 3000, 4000 or 5000 Kelvin temperature of the LEDs.

A durable polyester powdercoat finish is guaranteed for five years; and is available in standard or custom colors.

The **Cross Bow LED** series is an exceptional choice for low level lighting applications.

## Ordering Information

MODEL	HEIGHT	OPTICS	SOURCE	CURRENT	KELVIN	VOLTAGE	MOUNTING	FINISH	OPTIONS
<b>C-BOW-1</b>	<b>3</b> 36"	<b>T1</b> Type 1	<b>16LC</b> Single	<b>3</b> 350mA	<b>3K</b> 3000K	<b>UNV</b> 120-277V	<b>AB</b> Anchor Base (ANCHOR BOLT KIT SUPPLIED)	<b>BZ</b> Bronze	<b>PC-120</b> Button Type Photocell
	<b>3.5</b> 42"	<b>T2</b> Type 2	<b>32LC</b> Double	<b>5</b> 530mA	<b>4K</b> 4000K			<b>BK</b> Black	<b>PC-208</b> Button Type Photocell
		<b>T3</b> Type 3		<b>7</b> 700mA	<b>5K</b> 5000K			<b>SBK</b> Smooth Black	<b>PC-240</b> Button Type Photocell
		<b>T4</b> Type 4		<b>10</b> 1050mA				<b>WH</b> White	<b>PC-277</b> Button Type Photocell
		<b>T5</b> Type 5						<b>SWH</b> Smooth White	<b>DIM</b> 0-10v Dimming Driver
		<b>T5W</b> Type 5 Wide						<b>GP</b> Graphite	<b>GFI</b> GFI Receptacle *Standard location is in hand hole
								<b>GY</b> Grey	
								<b>SL</b> Silver Metallic	
								<b>CC</b> Custom Color	

# Features & Specifications

## CROSS BOW - BOLLARD

### Housing

· The LED light engines are constructed of heavy-duty, die-cast aluminum, with external heat radiating fins. The 4" extruded pole contains the driver(s), allowing for cooler operation and longer life. Silicone gasketing is utilized throughout the fixture for weather tight operation.

### Thermal Management

· The Cross Bow Series provides excellent overall thermal management by maximizing the fixture's heat sink capabilities. This enables the Cross Bow Series to withstand higher ambient temperatures and drive currents without degrading LED life. The Cross BOW Series has a very low thermal resistance rating.

· The L70 test determines the point in an LEDs life when it reaches 70 percent of its initial output. The Cross Bow Series LEDs have been determined to last a minimum of 140,000 hours in 25° C environments when driven at 350 mA.

### Optical System

The highest lumen output LED Arrays are utilized in the Cross Bow Array Series. IES distribution Types I, II, III, IV, V, and V-W are available. LED Array light assemblies come in multiples of 16 LEDs. The optical system qualifies as IES full cutoff to restrict light trespass, glare and light pollution. CRI values are 70.

### Quali-Guard® Finish

· The finish is a Quali-Guard® textured, chemically pretreated through a multiple-stage washer, electrostatically applied, thermoset polyester powder coat finish, with a minimum of 3-5 mil thickness. Finish is oven-baked at 400° F to promote maximum adherence and finish hardness. All finishes are available in standard and custom colors. Finish is guaranteed for five (5) years.

### Mounting

The Cross Bow Luminaire is easily attached to the pole by 2 tamper-proof countersunk screws.

### Electrical Assembly

· The Cross Bow Series is supplied with a choice of 350 to 1050 mA high-performance LED drivers that accept 120v 50 Hz to 60 Hz, input.

· 10 kV surge protector supplied as standard.

### Warranty

· Five (5) year Limited Warranty on electrical components, Five (5) year on finish. For full warranty information, please visit [visionairelighting.com](http://visionairelighting.com).

### Options

· Button Type Photocell

· 0-10v Dimming Driver

· Dual Circuit

### Listings

· Cross Bow Series is ETL listed, suitable for wet locations.

· LM79 and LM80

· RoHS compliant

· IP66 rated

· DLC Listed

· Powder Coated Tough™

DesignLights Consortium (DLC) qualified Product. Some configurations of this product family may not be DesignLights Consortium (DLC) listed, please refer to the DLC qualified products list to confirm listed configurations. <http://www.designlights.org/>  
3000K must be selected for IDA certification.



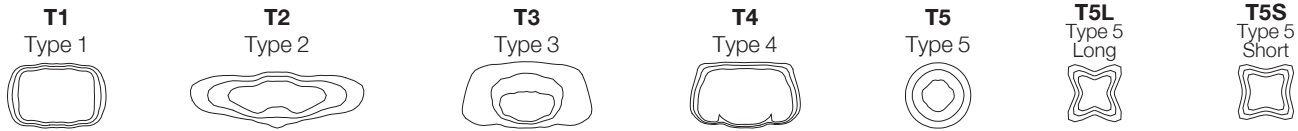
**IP66**  
Rated



CROSS BOW - BOLLARD - ELECTRICAL LOAD (A)							
Ordering Nomenclature	System Watts	120	208	240	277	347	480
<b>Single Configuration</b>							
<b>C-BOW-1-3-T5-16LC-3</b>	<b>18</b>	0.15	0.09	0.08	0.06	0.05	0.04
<b>C-BOW-1-3-T5-16LC-5</b>	<b>26</b>	0.22	0.13	0.11	0.09	0.07	0.05
<b>C-BOW-1-3-T5-16LC-7</b>	<b>36</b>	0.30	0.17	0.15	0.13	0.10	0.08
<b>C-BOW-1-3-T5-16LC-10</b>	<b>53</b>	0.44	0.25	0.22	0.19	0.15	0.11
<b>Double Configuration</b>							
<b>C-BOW-1-3-T5-32LC-3</b>	<b>36</b>	0.30	0.17	0.15	0.13	0.10	0.08
<b>C-BOW-1-3-T5-32LC-5</b>	<b>51</b>	0.43	0.25	0.21	0.18	0.15	0.11
<b>C-BOW-1-3-T5-32LC-7</b>	<b>72</b>	0.60	0.35	0.30	0.26	0.21	0.15
<b>C-BOW-1-3-T5-32LC-10</b>	<b>105</b>	0.88	0.50	0.44	0.38	0.30	0.22

# CROSS BOW - BOLLARD LED Specifications

## Photometric Optical Summary



C-BOW-1-16LC	
EPA	0.2 ft <sup>2</sup>
C-BOW-1-32LC	
EPA	0.3 ft <sup>2</sup>

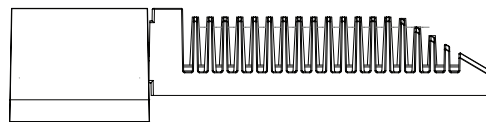
## Dimensions

### Single

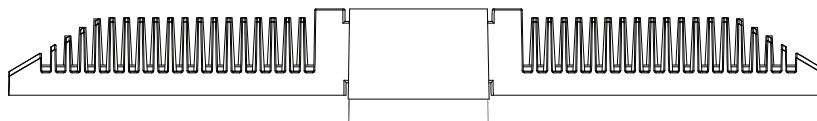
<b>Width:</b>	C-BOW-1 4"
<b>Height:</b>	C-BOW-1 2.5"
<b>Depth:</b>	C-BOW-1 14"

### Double

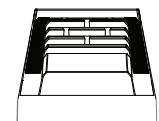
<b>Width:</b>	C-BOW-1 4"
<b>Height:</b>	C-BOW-1 2.5"
<b>Depth:</b>	C-BOW-1 24"



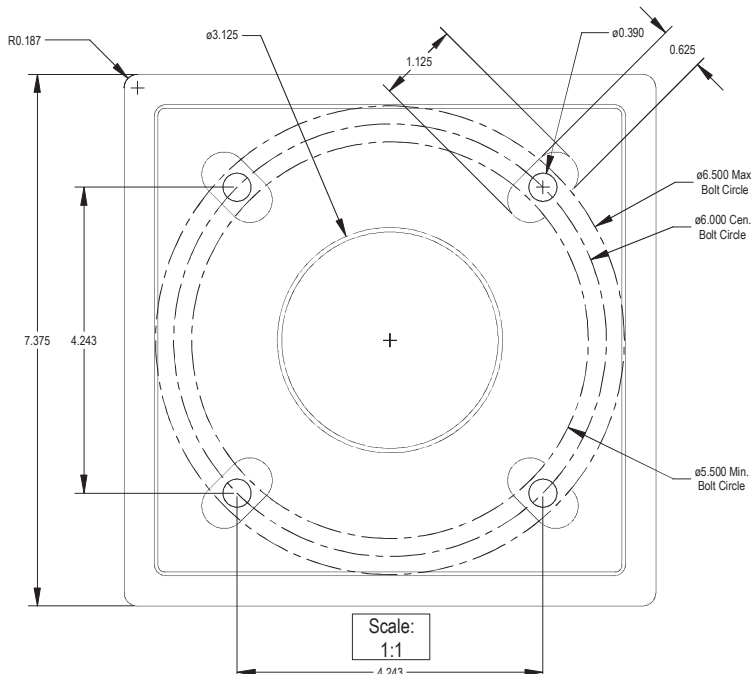
Single



Double

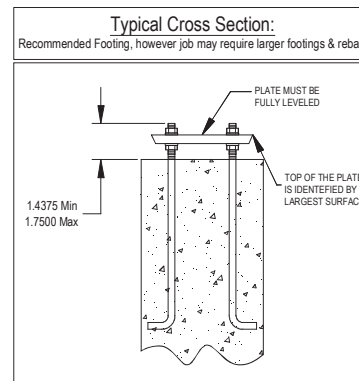


## BASE DETAIL



## Base Template:

Aluminum Shaft 4" Square  
for 3/8 Anchor Bolts



LED Specifications **CROSS BOW - BOLLARD**

Cross Bow - Bollard - 3K Lumen Chart										
# LEDs	Current (mA)	T1	T2	T3	T4	T4A	T5	T5W	T5WR	Wattage
16	350	2290	2192	2213	2060	2275	2298	2205	2227	18
	530	3196	3059	3089	2876	3176	3207	3077	3108	26
	700	4465	4274	4316	4018	4437	4481	4299	4342	36
	1050	6072	5812	5869	5464	6034	6094	5847	5905	53
32	350	4556	4361	4404	4100	4528	4573	4387	4431	36
	530	6360	6087	6147	5723	6320	6383	6124	6185	51
	700	8885	8504	8588	7995	8829	8917	8555	8641	72
	1050	12084	11566	11680	10874	12007	12127	11635	11752	105
Cross Bow - Bollard - 4K Lumen Chart										
# LEDs	Current (mA)	T1	T2	T3	T4	T4A	T5	T5W	T5WR	Wattage
16	350	2336	2236	2258	2102	2322	2345	2250	2272	18
	530	3261	3121	3152	2935	3240	3273	3140	3172	26
	700	4556	4361	4404	4100	4527	4572	4387	4431	36
	1050	6196	5931	5989	5576	6157	6218	5966	6026	53
32	350	4649	4450	4494	4184	4620	4666	4477	4522	36
	530	6490	6211	6273	5840	6449	6513	6249	6311	51
	700	9066	8678	8763	8159	9009	9099	8730	8817	72
	1050	12330	11802	11918	11096	12252	12375	11873	11991	105
Cross Bow - Bollard - 5K Lumen Chart										
# LEDs	Current (mA)	T1	T2	T3	T4	T4A	T5	T5W	T5WR	Wattage
16	350	2384	2282	2304	2145	2369	2393	2296	2319	18
	530	3328	3185	3216	2994	3307	3340	3204	3236	26
	700	4649	4450	4494	4183	4620	4666	4476	4521	36
	1050	6323	6052	6111	5689	6283	6345	6088	6149	53
32	350	4744	4541	4586	4269	4714	4761	4568	4614	36
	530	6622	6338	6401	5959	6580	6646	6376	6440	51
	700	9251	8855	8942	8325	9193	9285	8908	8997	72
	1050	12582	12043	12162	11322	12502	12627	12115	12236	105

# CROSS BOW - BOLLARD LED Specifications

Cross Bow - Bollard - 3K Lumen per Watt Chart										
# LEDs	Current (mA)	T1	T2	T3	T4	T4A	T5	T5W	T5WR	Wattage
16	350	127	121	122	114	126	127	122	123	18
	530	125	120	121	113	125	126	121	122	26
	700	123	118	119	111	123	124	119	120	36
	1050	115	110	112	104	115	116	111	112	53
32	350	126	121	122	113	125	126	121	122	36
	530	125	119	121	112	124	125	120	121	51
	700	123	118	119	110	122	123	118	119	72
	1050	115	110	111	103	114	115	111	112	105
Cross Bow - Bollard - 4K Lumen per Watt Chart										
# LEDs	Current (mA)	T1	T2	T3	T4	T4A	T5	T5W	T5WR	Wattage
16	350	129	124	125	116	128	130	124	126	18
	530	128	122	124	115	127	128	123	124	26
	700	126	121	122	113	125	126	121	122	36
	1050	118	113	114	106	117	118	113	115	53
32	350	128	123	124	116	128	129	124	125	36
	530	127	122	123	115	126	128	123	124	51
	700	125	120	121	113	124	126	121	122	72
	1050	117	112	113	105	116	118	113	114	105
Cross Bow - Bollard - 5K Lumen per Watt Chart										
# LEDs	Current (mA)	T1	T2	T3	T4	T4A	T5	T5W	T5WR	Wattage
16	350	132	126	127	119	131	132	127	128	18
	530	130	125	126	117	130	131	126	127	26
	700	128	123	124	116	128	129	124	125	36
	1050	120	115	116	108	119	121	116	117	53
32	350	131	125	127	118	130	132	126	128	36
	530	130	124	126	117	129	130	125	126	51
	700	128	122	124	115	127	128	123	124	72
	1050	120	114	116	108	119	120	115	116	105

# LED Specifications **CROSS BOW - BOLLARD**

Cross Bow - Bollard - 3K BUG Chart																										
# LEDs	Current (mA)	T1			T2			T3			T4			T4A			T5			T5W			T5WR			Wattage
		B	U	G	B	U	G	B	U	G	B	U	G	B	U	G	B	U	G	B	U	G	B	U	G	
16	350	1	0	1	1	0	1	1	0	1	1	0	1	1	0	1	1	0	0	2	0	1	2	0	1	18
	530	2	0	2	1	0	1	1	0	1	1	0	1	1	0	1	2	0	1	2	0	1	2	0	1	26
	700	2	0	2	1	0	2	1	0	1	1	0	1	1	0	1	2	0	1	3	0	1	3	0	1	36
	1050	3	0	3	1	0	2	2	0	2	1	0	2	1	0	1	2	0	1	3	0	1	3	0	1	53
32	350	2	0	2	1	0	2	1	0	1	1	0	1	1	0	1	2	0	1	3	0	1	3	0	1	36
	530	3	0	3	2	0	2	2	0	2	1	0	2	1	0	1	3	0	1	3	0	2	3	0	1	51
	700	3	0	3	2	0	3	2	0	2	2	0	2	2	0	1	3	0	1	4	0	2	3	0	2	72
	1050	4	0	4	2	0	3	3	0	3	2	0	2	2	0	2	3	0	2	4	0	2	4	0	2	105
Cross Bow - Bollard - 4K BUG Chart																										
# LEDs	Current (mA)	T1			T2			T3			T4			T4A			T5			T5W			T5WR			Wattage
		B	U	G	B	U	G	B	U	G	B	U	G	B	U	G	B	U	G	B	U	G	B	U	G	
16	350	1	0	1	1	0	1	1	0	1	1	0	1	1	0	1	1	0	1	2	0	1	2	0	1	18
	530	2	0	2	1	0	1	1	0	1	1	0	1	1	0	1	2	0	1	2	0	1	2	0	1	26
	700	2	0	2	1	0	2	1	0	1	1	0	1	1	0	1	2	0	1	3	0	1	3	0	1	36
	1050	3	0	3	1	0	2	2	0	2	1	0	2	1	0	1	3	0	1	3	0	1	3	0	1	53
32	350	2	0	2	1	0	2	1	0	1	1	0	1	1	0	1	2	0	1	3	0	1	3	0	1	36
	530	3	0	3	2	0	2	2	0	2	1	0	2	1	0	1	3	0	1	3	0	2	3	0	1	51
	700	3	0	3	2	0	3	2	0	2	2	0	2	2	0	1	3	0	1	4	0	2	3	0	2	72
	1050	4	0	4	2	0	3	3	0	3	2	0	2	2	0	2	3	0	2	4	0	2	4	0	2	105
Cross Bow - Bollard - 5K BUG Chart																										
# LEDs	Current (mA)	T1			T2			T3			T4			T4A			T5			T5W			T5WR			Wattage
		B	U	G	B	U	G	B	U	G	B	U	G	B	U	G	B	U	G	B	U	G	B	U	G	
16	350	2	0	2	1	0	1	1	0	1	1	0	1	1	0	1	1	0	1	2	0	1	2	0	1	18
	530	2	0	2	1	0	1	1	0	1	1	0	1	1	0	1	2	0	1	2	0	1	2	0	1	26
	700	2	0	2	1	0	2	1	0	1	1	0	1	1	0	1	2	0	1	3	0	1	3	0	1	36
	1050	3	0	3	2	0	2	2	0	2	1	0	2	1	0	1	3	0	1	3	0	2	3	0	1	53
32	350	3	0	3	1	0	2	1	0	1	1	0	1	1	0	1	2	0	1	3	0	1	3	0	1	36
	530	3	0	3	2	0	2	2	0	2	1	0	2	1	0	1	3	0	1	3	0	2	3	0	1	51
	700	3	0	3	2	0	3	2	0	2	2	0	2	2	0	1	3	0	1	4	0	2	3	0	2	72
	1050	4	0	4	2	0	3	3	0	3	2	0	2	2	0	2	3	0	2	4	0	2	4	0	2	105