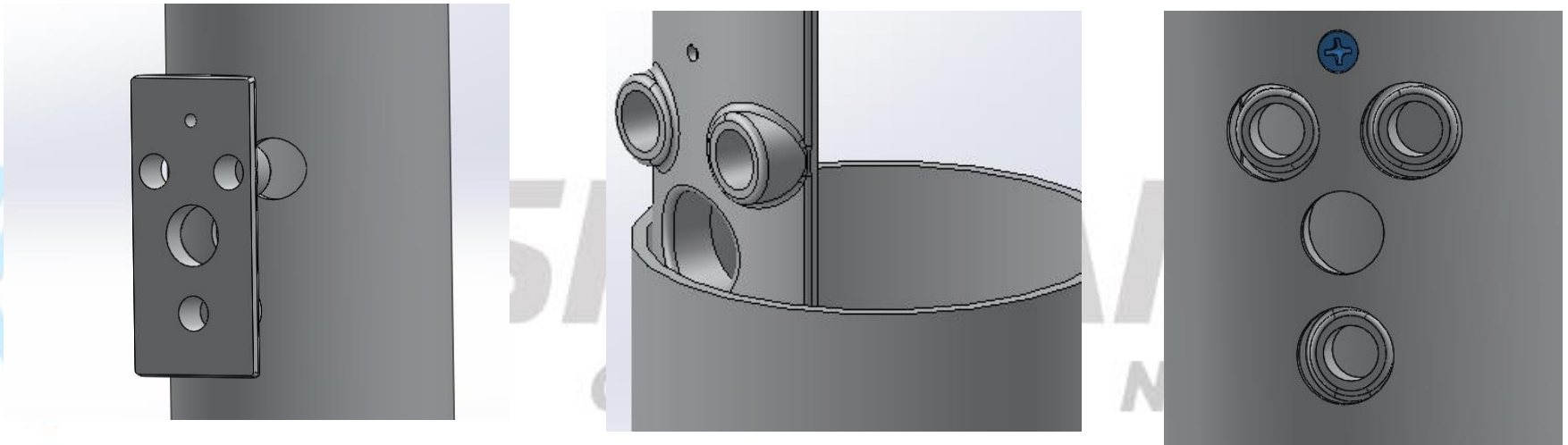


INSTALLATION OF ARIA ARM MOUNT

All installation work must be performed by a qualified, certified electrician.

Caution! Disconnect all power before installation.

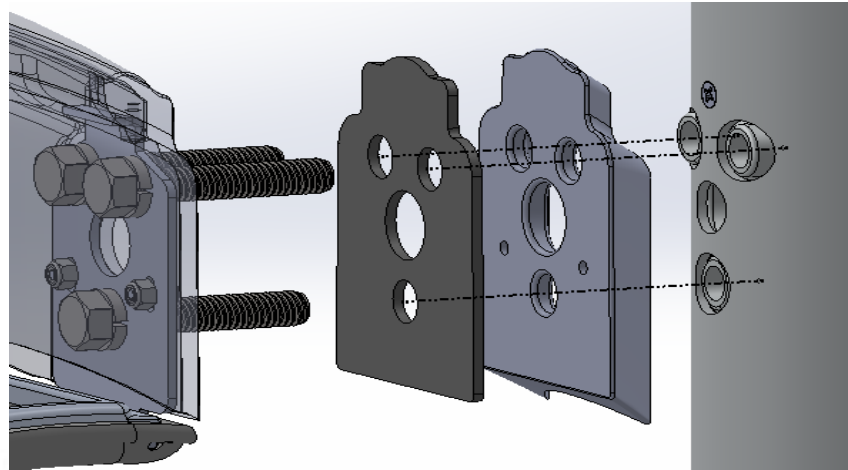
1. Put the nut plate inside of the post and align the screw hole and the hole of the post, put screw to set and fasten to prevent the nut plate to fall.



2. Open the fixture, push down the button to open



- Put washers(X3) in bolts(X3) then put inside the holes of the fixture, align gasket and round pole plate adaptor (RPP) in pole, fasten the components to secure mounting in pole, make sure the 3 bolts are tight.



- Align the bottom half of the luminaire to normal position to close the door.

