

VA107

Mounting Arms

VA107 is constructed of 2"x4" (small) or 3"x5" (large) rectangular extruded aluminum tubing with 1/2"-thick angled flat bar. The center slip fitter can be made to slip over the following tenon (or pole) sizes: 3" Ø to 5" Ø. VA107 is available in the following pole mounting configurations: Single and Double 180°. Please consult factory for custom mounting.

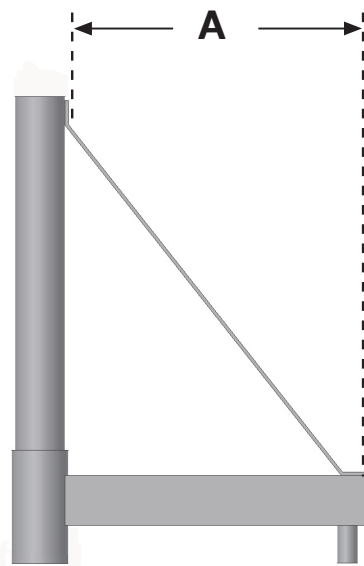
Fixture	A	B	C	D	E	EPA S1	EPA D2	EPA WM
VA107-L	24"	36"	7"	36"	2.3	1.1	3.1	1.2
VA107-S	18"	30"	7"	30"	1.5	2.1	.7	.8
VA107 S1		VA107 D2						

Project Name:

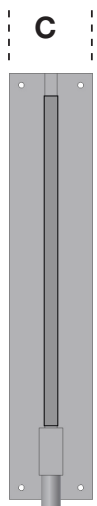
Catalog Number:

Type:

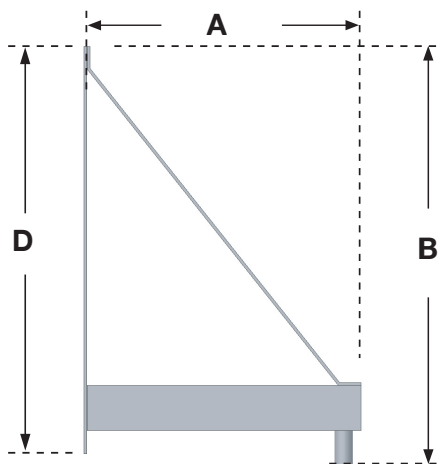
Model	Mounting	Pole or Tenon Size	Finish
VA107-L	S1	3	BZ Bronze
VA107-S	Single	3" Dia.	BK Black
	D2	3.5	WH White
	Double	3 1/2" Dia.	SN Sandstone
	WM	4	WB Weathered Brown
	Wall Mount	4" Dia.	SL Silver Metallic
		4.5	VG Verdigris
		4 1/2" Dia.	FG Forest Green
		5	CC Custom Color
		5" Dia.	



S1



WM



D2

