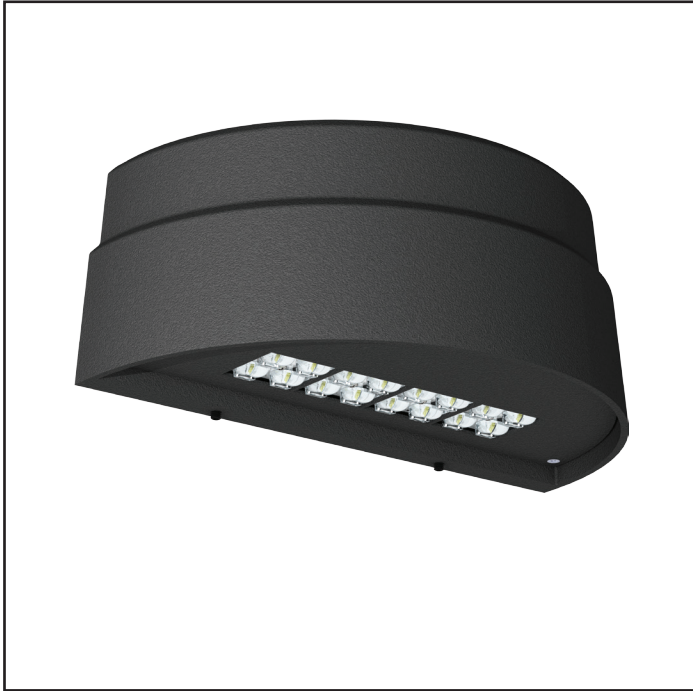


PGRS-1 LED Specifications



Project Name:

Catalog Number:

Type:

The **PGRS-1 LED** luminaire from Visionaire combines contemporary design with new LED technology; while maintaining a traditional fixture image. The LED performance and Life are maximized by the unique integral aluminum heat sink. It is an ideal replacement for the high-maintenance fluorescent or HID fixtures of yesterday.

The LED housing is spun aluminum with internal heat sink for maximum heat dissipation; with 16 LEDs. The formed aluminum driver compartment allows the driver to operate cooler for long life.

Choose between 3000, 4000 or 5000 Kelvin temperature of the LED's.

A durable polyester powder coat finish is guaranteed for five years; and is available in standard or custom colors.

The **PGRS-1 LED** series is an exceptional choice for wall mounts at Parking Garages, Recreational Areas, Office Parks, Medical Centers, Hospitality, Large Area Parking, Educational Institutions, perfect for any upscale Traditional Area lighting application.

Ordering Information

MODEL	OPTICS	SOURCE	CURRENT	KELVIN	VOLTAGE	MOUNTING	FINISH	OPTIONS
PGRS-1	T2 Type 2	16LC	3 350mA	3K 3000K	UNV 120-277V	WM Wall Mount	BZ Bronze	PC-120 Button Type Photocell
	T3 Type 3		5 530mA	4K 4000K	8 347V		BK Black	PC-208 Button Type Photocell
	T4 Type 4		7 700mA	5K 5000K	5 480V		SBK Smooth Black	PC-240 Button Type Photocell
							WH White	PC-277 Button Type Photocell
							SWH Smooth White	WSC-8 Motion Sensor 8' Mounting Height
							GP Graphite	WSC-20 Motion Sensor 9-20' Mounting Height
							GY Grey	WSC-40 Motion Sensor 21-40' Mounting Height
							SL Silver Metallic	
							CC Custom Color	
								WSC options will require (1) FSIR 100 remote for programming
								BP Back Plate

Features & Specifications

PGRS-1

Housing

Heavy duty cast aluminum housing with internal heat sink for maximum heat dissipation. Silicone gasket is used for weather tight operation.

Mounting

A Wall Mount bracket can be secured directly to a 4"-5" recessed junction box.

Thermal Management

The PGRS-1 series provides excellent thermal management by mounting the LEDs to the substantial heat sink within the housing. This enables the Luminaire to withstand higher ambient temperatures and driver currents without degrading LED life.

Optical System

- The highest lumen output LEDs are utilized. High-performance acrylic optics feature industry leading Type II, III, and IV optical distributions. Acrylic optics are impact-resistant and rated to 94 percent translucence.
- L70 life of our LEDs is rated over 100,000 hours (for 700 mA). The optical system qualifies as IES full cutoff to restrict light trespass, glare and light pollution for neighborhood-friendly lighting.
- CRI values are 70.

Quali-Guard® Finish

The finish is a Quali-Guard® textured, chemically pretreated through a multiple-stage washer, electrostatically applied, thermoset polyester powder coat finish, with a minimum of 3-5 millimeter thickness. Finish is oven-baked at 400° F to promote maximum adherence and finish hardness.

- All finishes are available in standard and custom colors.
- Finish is guaranteed for five (5) years.

Electrical Assembly

The PGRS-1 LED series is supplied with a choice of 350, 530 or 700 high-performance LED drivers that accept 120v thru 480v, 50 Hz to 60 Hz, input.

- Power factor of 90%.
- Rated for -40°C operations.
- 10 kV surge protector supplied as standard.

Warranty

Five (5) year Limited Warranty on electrical components, Five (5) year on finish. For full warranty information, please visit visionairelighting.com.

Options

- Watt Stopper FSP-211
- Button Style Photocell
- Back Plate
- Visionaire Wireless Controls
 - Enables high end trim
 - Based on Zigbee wireless communication protocol

Listings

- PGRS-1 is UL listed, suitable for wet locations.
- IP66 Rated
- Powder Coated Tough™
- DLC Listed
- IDA Listed



DesignLights Consortium (DLC) qualified Product. Some configurations of this product family may not be DesignLights Consortium (DLC) listed, please refer to the DLC qualified products list to confirm listed configurations. <http://www.designlights.org/>
3000K must be selected for IDA certification.
Fixed mount must be selected for IDA dark sky certification.

PGRS-1 Electrical Load (A)

Ordering Nomenclature	System Watts	120V	208V	240V	277V	347V	480V
PGRS-1-T3-16LC-350MA	18	0.14	0.08	0.07	0.06	0.05	0.04
PGRS-1-T3-16LC-530MA	26	0.22	0.12	0.11	0.09	0.07	0.05
PGRS-1-T3-16LC-700MA	37	0.28	0.16	0.14	0.12	0.10	0.07

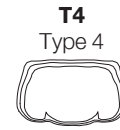
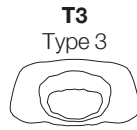
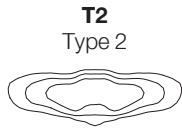
Motion Sensor Default Setting

FSP - 211	High Mode	Low Mode	Time Delay	Cut Off Delay	Sensitivity	Hold Off Setpoint	Photocell On/Off	Ramp Up Time	Fade Down Time
WSC - Default	10V	1V	5 Minutes	1 Hour	Max	Disabled	Disabled	Disabled	Disabled
WSC Range	0-10V	0-9.8V	5-30 Minutes	1-5 Hours	Low, Med, Max	1-250FC	1-250FC	1-60 Dec	1-60 Dec

*Settings can be field modified with the FSIR-100 Programming remote

PGRS-1 LED Specifications

Photometric Optical Summary



Dimensions

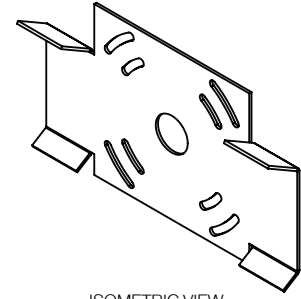
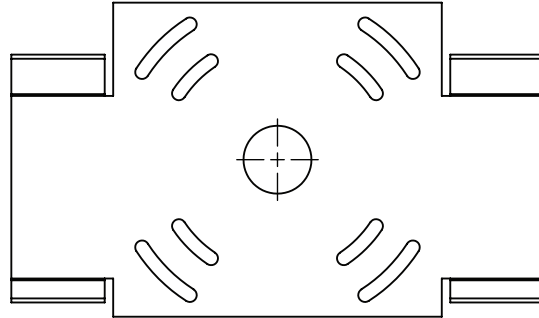
Width: PGRS-1 13.70"

Height: PGRS-1 5.53"

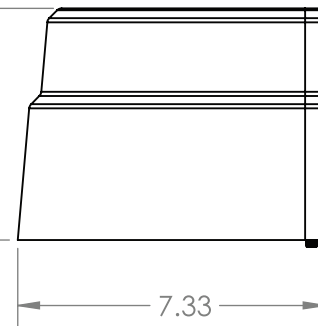
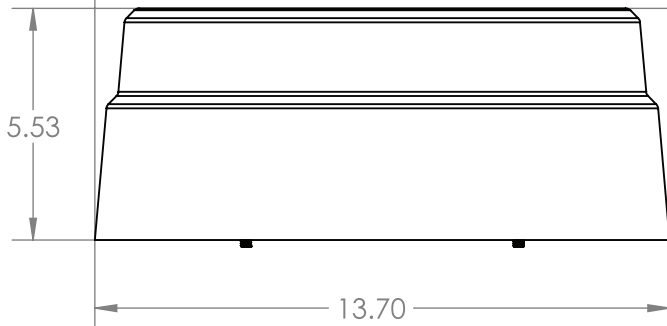
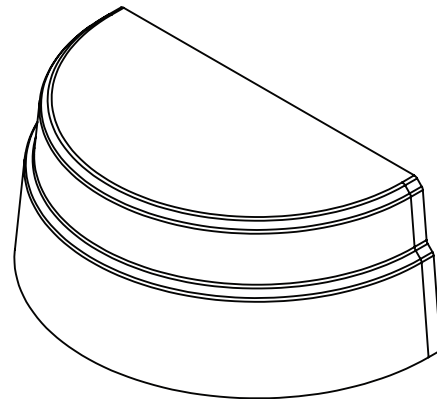
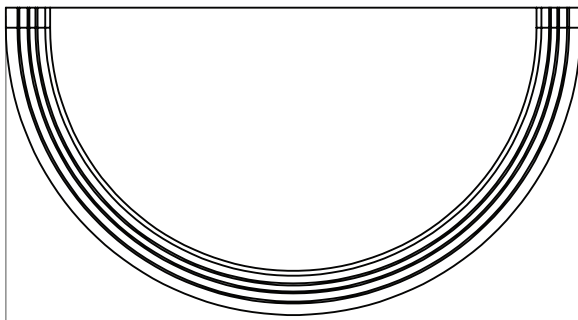
Depth: PGRS-1 7.33"

Weight: 20 LBS

Bracket Wall Mount Support
Compatible with 4" and 5" J-Box



ISOMETRIC VIEW



PGRS-1 3K LUMEN DATA											
# LEDs	mA	T2			T3			T4			Power (W)
16	350	2332			2334			2322			17
	530	3253			3256			3239			26
	700	4068			4071			4050			34
PGRS-1 4K LUMEN DATA											
# LEDs	mA	T2			T3			T4			Power (W)
16	350	2172			2173			2162			17
	530	3029			3032			3016			26
	700	3788			3791			3771			34
PGRS-1 5K LUMEN DATA											
# LEDs	mA	T2			T3			T4			Power (W)
16	350	2226			2227			2216			17
	530	3105			3107			3091			26
	700	3882			3885			3865			34
PGRS-1 3K LPW DATA											
# LEDs	mA	T2			T3			T4			Power (W)
16	350	137			137			137			17
	530	125			125			125			26
	700	120			120			119			34
PGRS-1 4K LPW DATA											
# LEDs	mA	T2			T3			T4			Power (W)
16	350	128			128			127			17
	530	116			117			116			26
	700	111			112			111			34
PGRS-1 5K LPW DATA											
# LEDs	mA	T2			T3			T4			Power (W)
16	350	131			131			130			17
	530	119			120			119			26
	700	114			114			114			34
PGRS-1 3K BUG DATA											
# LEDs	mA	T2			T3			T4			Power (W)
		B	U	G	B	U	G	B	U	G	
16	350	1	0	1	1	0	1	1	0	1	17
	530	1	0	1	1	0	1	1	0	1	26
	700	1	0	1	1	0	1	1	0	2	34
PGRS-1 4K BUG DATA											
# LEDs	mA	T2			T3			T4			Power (W)
		B	U	G	B	U	G	B	U	G	
16	350	1	0	1	1	0	1	1	0	1	17
	530	1	0	1	1	0	1	1	0	1	26
	700	1	0	1	1	0	1	1	0	2	34
PGRS-1 5K BUG DATA											
# LEDs	mA	T2			T3			T4			Power (W)
		B	U	G	B	U	G	B	U	G	
16	350	1	0	1	1	0	1	1	0	1	17
	530	1	0	1	1	0	1	1	0	1	26
	700	1	0	1	1	0	1	1	0	2	34