

# VLX Wildlife Certified LED Specifications



Project Name:

Catalog Number:

Type:

The new **VLX LED** series offers clean, functional styling that is defined by its sleek low profile design and rugged construction. It combines LED performance and advanced LED thermal management technology and provides outdoor lighting that is both energy efficient and aesthetically pleasing.

The LED's performance and the driver's life are maximized by enclosing them in two separate die cast aluminum housings. Easy tool-less access for mounting and maintenance.

The LED light assemblies come with 96 to 192 LEDs. Eight optical distribution patterns are available. 590 nm diode supplied as standard.

A durable polyester powder coat finish is guaranteed for five years; and is available in standard or custom colors.

The **VLX LED** series is an exceptional choice for commercial parking lots, office complexes, architectural projects, and other general lighting projects.

## Ordering Information

MODEL	OPTICS	LEDS	CURRENT	KELVIN	VOLTAGE	MOUNTING	FINISH	OPTIONS	OPTIONS
<b>VLX-1</b>	<b>T1</b> Type 1	<b>96LC</b>	<b>3</b> 350mA	<b>TS</b> 590 nm	<b>UNV</b> 120-277V	<b>AM</b> Arm Mount	<b>BZ</b> Bronze	<b>PCR-120</b>	<b>RPP3</b> For 3" Ø Pole - Round Pole Plate Adaptor
		<b>128LC</b>							
	<b>T2</b> Type 2	<b>160LC</b>	<b>5</b> 530mA		<b>8</b> 347V	<b>WM</b> Wall Mount Requires BAWP	<b>BK</b> Black	<b>PCR-240</b>	<b>RPP4</b> For 4" Ø Pole - Round Pole Plate Adaptor
	<b>T3</b> Type 3	<b>192LC</b>			<b>5</b> 480V			<b>SBK</b> Smooth Black	
	<b>T4</b> Type 4					<b>WH</b> White	<b>SWH</b> Smooth White	<b>PCR-347</b>	<b>RPP5</b> For 5" Ø Pole - Round Pole Plate Adaptor
	<b>T4A</b> Type 4 Automotive							<b>PER</b> 3 Pin Photo Receptacle w/shorting cap	
	<b>T5</b> Type 5					<b>GP</b> Graphite	<b>GY</b> Grey	<b>5PINPER</b> 5 Pin Photo Receptacle w/shorting cap Requires Dimming Driver	<b>UPMA-R</b> Universal Round Pole Mount Adaptor
	<b>T5W</b> Type 5 Wide							<b>7PINPER</b> 7 Pin Photo Receptacle w/shorting cap Requires Dimming Driver	
	<b>T5WR</b> Type 5 Wide Round							<b>DIM</b> 0-10v Dimming Driver	<b>ROT-R</b> Rotated Optics Right Side
								<b>WSC-8</b> Motion Sensor 8' Mounting Height	
							<b>SL</b> Silver Metallic	<b>WSC-20</b> Motion Sensor 9-20' Mounting Height	<b>VWC</b> Visionaire Wireless Controls Consult Factory
							<b>CC</b> Custom Color	<b>WSC-40</b> Motion Sensor 21-40' Mounting Height	

The WSC option will require (1) FSIR 100 remote for programming

## Heatsink

Die cast aluminum heatsink with integral cooling fins for thermal management.

## Mounting Arm/Driver Compartment

- Durable two-piece die cast aluminum driver compartment utilizes a tool-less push button latch for ease of maintenance and sealed with a one-piece silicone gasket.
- Meets ANSI C136.31-2010 1.5G Vibration Standards.

## Thermal Management

- The VLX series provides excellent thermal management by mounting the LEDs to the substantial heat sink of the housing. This enables the Luminaire to withstand higher ambient temperatures and driver currents without degrading LED life.
- The L70 test determines the point in an LEDs life when it reaches 70 percent of its initial output. The VLX series LEDs have been determined to last 90,000+ hours in 25° C environments when driven at 350 mA.

## Optical System

- The highest lumen output LEDs are utilized in the VLX series.
- IES distribution Types 1, 2, 3, 4, 4A, 5, 5W and 5WR are available.
- The optical system qualifies as IES full cutoff to restrict light trespass, glare and light pollution.
- 590 nm diode supplied as standard.

## Quali-Guard® Finish

- The finish is a Quali-Guard® textured, chemically pretreated through a multiple-stage washer, electrostatically applied, thermoset polyester powder coat finish, with a minimum of 3-5 millimeter thickness. Finish is oven-baked at 400° F to promote maximum adherence and finish hardness.
- All finishes are available in standard and custom colors.
- Finish is guaranteed for five (5) years.

## Electrical Assembly

- The VLX LED series is supplied with a choice of 350 or 530 mA high-performance LED drivers that accept 120v thru 480v, 50 Hz to 60 Hz, input.
- Power factor of 90%.
- Rated for -40° C operations.
- 10 kV surge protector supplied as standard.
- Terminal block supplied as standard.

## Warranty

Five (5) year Limited Warranty on entire system, including finish. For full warranty information, please visit [visionairelighting.com](http://visionairelighting.com).

## Options

- Photocell & receptacle
- Photo receptacle
- Round pole plate adapter
- Cast Wall Plate
- 0-10v Dimming Driver
- Motion Sensor
- Wireless Control
- Universal Pole Mount Adaptor

## Listings

- The VLX is ETL listed
- IP65 Rated
- Powder Coated Tough™
- IDA Certification
- Turtle Safe
- Certified Wildlife Lighting



The Wildlife Lighting Program was developed by the Department of the Interior's U.S. Fish and Wildlife Service and the Florida Fish and Wildlife Conservation Commission to address light pollution issues in ecologically sensitive areas while ensuring human safety and security.



Motion Sensor Default Setting									
Type	High Mode	Low Mode	Time Delay	Cut off Delay	Sensitivity	Hold Off Setpoint	Photocell On/Off	Ramp Up Time	Fade Down Time
WSC - Default	10V	1V	5 Min	1 Hour	Max	Disabled	Disabled	Disabled	Disabled
WSC Range	0 -10V	0 -9.8V	5 -30 Min	1 -5 Hours	Low, Med, Max	1 -250FC	1 -250FC	1 -60 Dec	1-60 Dec

# VLX Wildlife Certified LED Specifications

## Photometric Optical Summary

T1 Type 1	T2 Type 2	T3 Type 3	T4 Type 4	T4A Type 4 Automotive	T5 Type 5	T5W Type 5 Wide	T5WR Type 5 Wide Round
<b>EPA Data</b>							
		1.0	1.6	2.0	2.5	2.4	2.5

## Dimensions

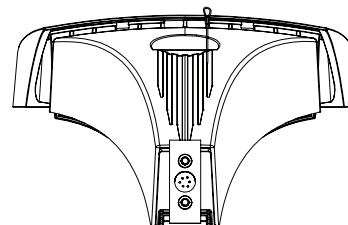
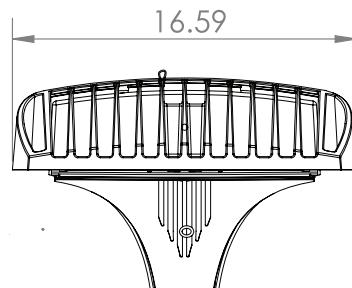
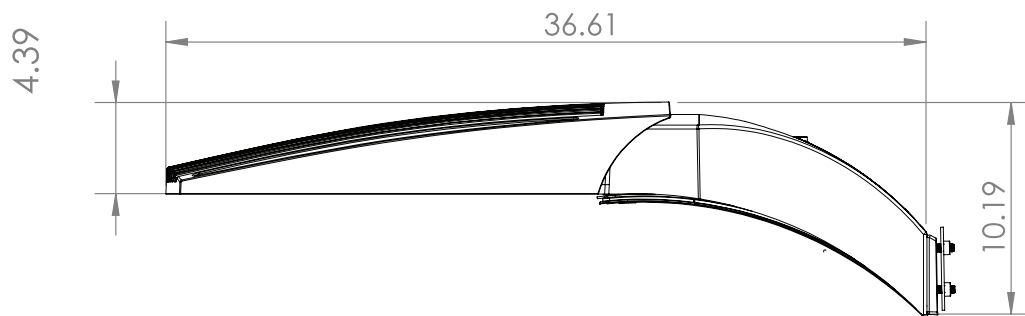
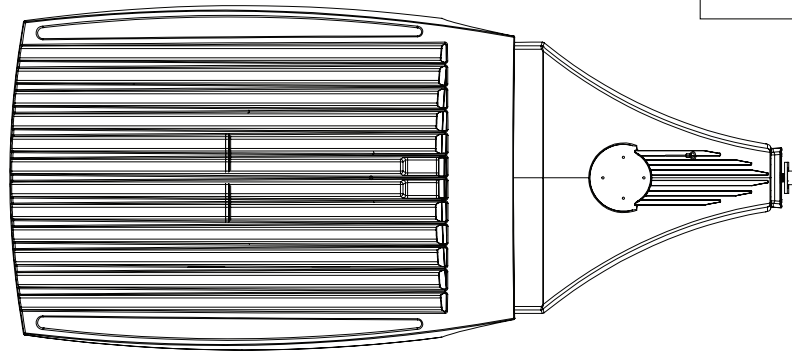
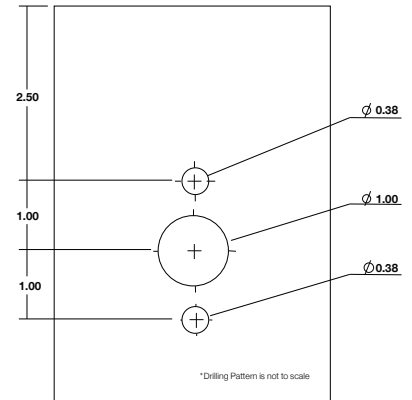
**Width:** VLX-1 16.5"

**Depth:** VLX-1 36.6"

**Height:** VLX-1 4.39"

**Overall Height:** VLX-1 10.19"

**Weight:** 58 LBS



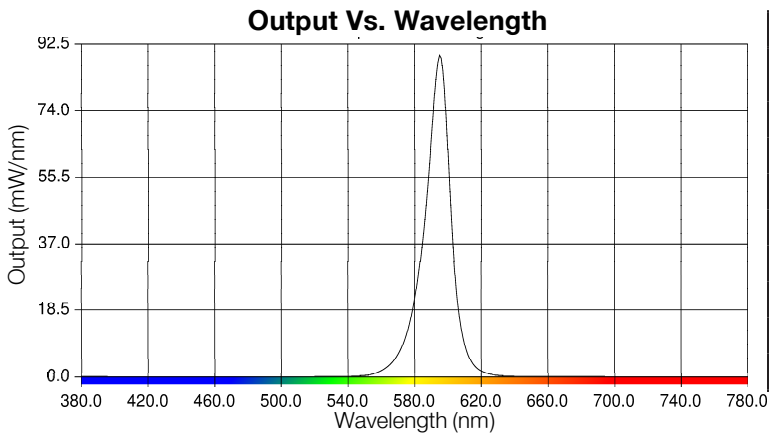
VLX-I Wildlife Certified TS (590 nm) LUMEN DATA										
# LEDs	Current (mA)	T1	T2	T3	T4	T4A	T5	T5W	T5WR	Wattage
96	350	3472	3242	3294	3105	3481	3376	3376	3311	103
	530	4929	4597	4671	4403	4936	4787	4788	4695	159
128	350	4585	4281	4349	4100	4597	4458	4458	4372	136
	530	6845	6392	6494	6121	6863	6655	6656	6527	215
160	350	5765	5382	5469	5155	5779	5605	5605	5497	171
	530	8346	7793	7918	7463	8368	8115	8116	7958	266
192	350	6944	6484	6588	6210	6962	6752	6753	6622	206
	530	9847	9194	9341	8806	9872	9574	9575	9390	317

VLX-I Wildlife Certified TS (590 nm) LPW DATA										
# LEDs	Current (mA)	T1	T2	T3	T4	T4A	T5	T5W	T5WR	Wattage
96	350	34	31	32	30	34	33	33	32	103
	530	31	29	29	28	31	30	30	30	159
128	350	34	31	32	30	34	33	33	32	136
	530	32	30	30	28	32	31	31	30	215
160	350	34	31	32	30	34	33	33	32	171
	530	31	29	30	28	31	31	31	30	266
192	350	34	31	32	30	34	33	33	32	206
	530	31	29	29	28	31	30	30	30	317

VLX-I Wildlife Certified TS (590 nm) BUG DATA																										
# LEDs	Current (mA)	T1			T2			T3			T4			T4A			T5			T5W			T5WR			Wattage
		B	U	G	B	U	G	B	U	G	B	U	G	B	U	G	B	U	G	B	U	G				
96	350	2	0	2	1	0	1	1	0	1	1	0	1	1	0	1	1	0	1	2	0	1	2	0	1	103
	530	2	0	2	1	0	1	1	0	1	1	0	1	1	0	1	2	0	1	3	0	1	3	0	1	159
128	350	2	0	2	1	0	1	1	0	1	1	0	1	1	0	1	2	0	1	3	0	1	3	0	1	136
	530	2	0	2	1	0	2	2	0	2	1	0	1	1	0	1	2	0	1	3	0	2	3	0	1	215
160	350	2	0	2	1	0	1	1	0	1	1	0	1	1	0	1	2	0	1	3	0	1	3	0	1	171
	530	3	0	3	2	0	2	2	0	2	2	0	2	2	0	1	3	0	1	3	0	2	3	0	2	266
192	350	2	0	2	1	0	2	2	0	2	2	0	2	1	0	1	2	0	1	3	0	2	3	0	1	206
	530	3	0	3	2	0	2	2	0	2	2	0	2	2	0	1	3	0	1	4	0	2	3	0	2	317



VLX Wildlife Certified - ELECTRICAL LOAD (A)							
Ordering Nomenclature	System Watts	120	208	240	277	347	480
VLX-1-T5-96LC-3	103	0.86	0.50	0.43	0.37	0.30	0.21
VLX-1-T5-96LC-5	159	1.33	0.76	0.66	0.57	0.46	0.33
VLX-1-T5-128LC-3	136	1.13	0.65	0.57	0.49	0.39	0.28
VLX-1-T5-128LC-5	215	1.79	1.03	0.90	0.78	0.62	0.45
VLX-1-T5-160LC-3	171	1.43	0.82	0.71	0.62	0.49	0.36
VLX-1-T5-160LC-5	266	2.22	1.28	1.11	0.96	0.77	0.55
VLX-1-T5-192LC-3	206	1.72	0.99	0.86	0.74	0.59	0.43
VLX-1-T5-192LC-5	317	2.64	1.52	1.32	1.14	0.91	0.66