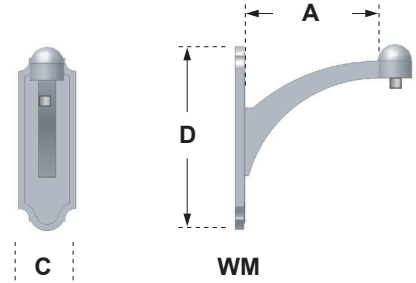
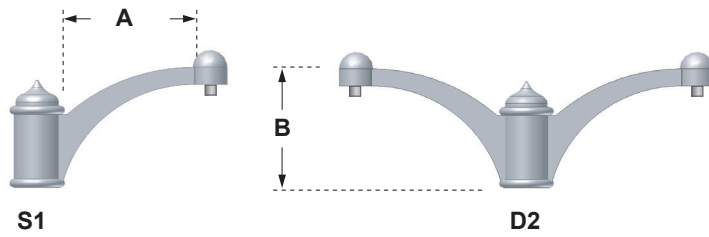


# VA110

Project Name:

Catalog Number:

Type



\*Shown with decorative cast aluminum wall plate

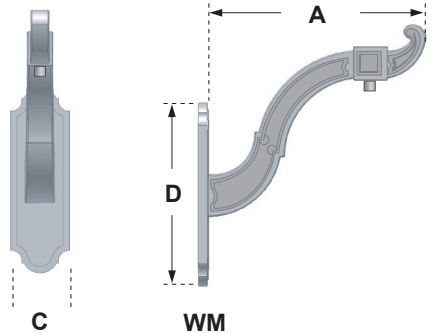
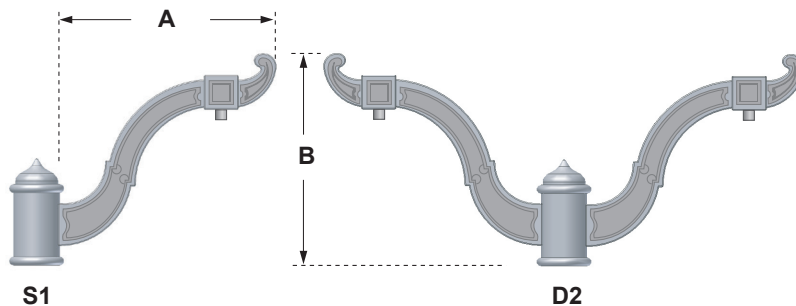
VA110 is available for both post top and suspended luminaires.

VA110 is constructed from corrosion resistant, durable cast aluminum. This arm is designed to slip over the following tenon (or pole) sizes: 4" Ø, 4½" Ø and 5" Ø. VA110 is available in the following pole mounting configurations: Single and Double 180°. Please consult factory for custom mounting.

Fixture	A	B	C	D	EPA S1	EPA D2	EPA WM
VA110-L	20¾"	13½"	7"	22"	1	1.6	.8
VA110-S	15¾"	13½"	7"	22"	.9	1.4	.7
VA110 S1		➡		VA110 D2		➡➡	

Model	Mounting	Pole or Tenon Size	Finish
VA110-L VA110-S	Single (S1) Double (D2) Wall Mount (WM)	3½" dia. (3½) 4" dia. (4) 4½" dia. (4½) 5" dia. (5)	Bronze (BZ) Black (BK) White (WH) Sandstone (SN) Weathered Brown (WB) Silver Metallic (SL) Verdigris (VG) Forest Green (FG) Custom Color (CC)

# VA111



\*Shown with decorative cast aluminum wall plate

VA111 is available for both post top and suspended luminaires.

VA111 is constructed from corrosion-resistant, durable cast aluminum. This arm is designed to slip over the following tenon (or pole) sizes: 4" Ø, 4½" Ø and 5" Ø. VA111 is available in the following pole mounting configurations: Single and Double 180°. Please consult factory for custom mounting.

Fixture	A	B	C	D	EPA S1	EPA D2	EPA WM
VA111	25½"	21½"	7"	22"	1	1.6	.8
VA111 S1		➡		VA111 D2		➡➡	

Model	Mounting	Pole or Tenon Size	Finish
VA111	Single (S1) Double (D2) Wall Mount (WM)	3½" dia. (3½) 4" dia. (4) 4½" dia. (4½) 5" dia. (5)	Bronze (BZ) Black (BK) White (WH) Sandstone (SN) Weathered Brown (WB) Silver Metallic (SL) Verdigris (VG) Forest Green (FG) Custom Color (CC)