



AriaTM
LED Luminaire

 **VISIONAIRE LIGHTING**
Performance In A Whole New Light



The University
of Michigan - Flint



Aria LED – A Complete Family of Architectural LED Luminaires

The Aria series is a contemporary family of products designed to promote architectural continuity. The unique fixture profile looks great in parking areas, as a building mounted sconce and a walkway bollard.

Pole Mounted

- Arm Mount and Pole Top Mount
- 42 or 84 LEDs in 350 mA and 530 mA
- Low-Profile (7" depth) Arm Mount
- Post Top Mounting – Internal Mounting – No Visible Hardware
- Tool-less Access
- Die Cast Aluminum Housing and Arm

Building Mounted

- Aria Sconce
- 21 or 42 LEDs in 350 mA and 530 mA
- Two (2) Styles – ARS-1 and ARS-2

Walkway – Aria LED Bollard

- 20 LED Bollard
- 20, 40 and 60 watt options
- 8" Round
- Flat Top and Dome Top

ARM MOUNT / POST TOP
ARIA 1 & 2



BUILDING MOUNTED
ARIA SCONCE

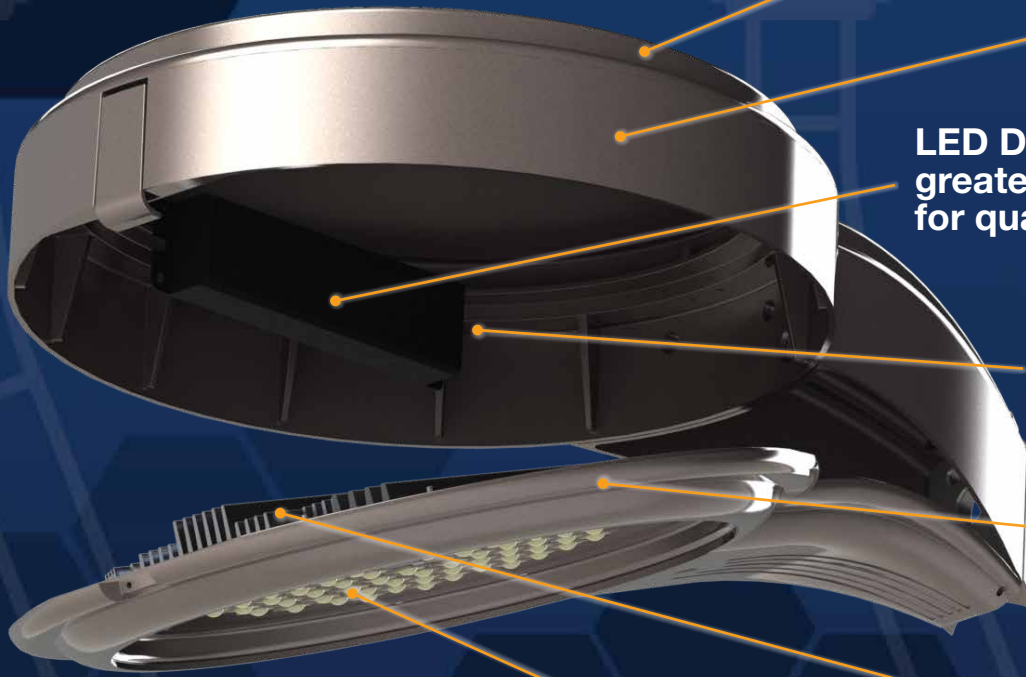


WALKWAY
ARIA BOLLARD



Aria™

Area Arm Mount LED



Heavy-duty sealed, spun

Die cast aluminum housing with
integral tool-less push

LED Driver is high-performance
greater than 90% and rated for
for quality of performance and

Quick Disconnects are standard
of the driver for convenient
driver access.

Die cast aluminum die cast
silicone channel gasket
weather seal.

Extruded Aluminum
heat away from the
extended LED life.

Optics are available in 6 ft

Alum

Spun alum
easy-acce

Cast aluminum po
over a 3" O.D. x 4
special threaded r

High stren
tenon with

Aria™

Area Post Top LED



aluminum top.

housing with
push latch.

LEDs with power factor
-40 °C operations
long life.

LEDs secured to both sides
of board, easy-to-maintain,

LED board frame incorporates
locking mechanism for complete

LED heat sink is built to draw
heat from LED junction points for

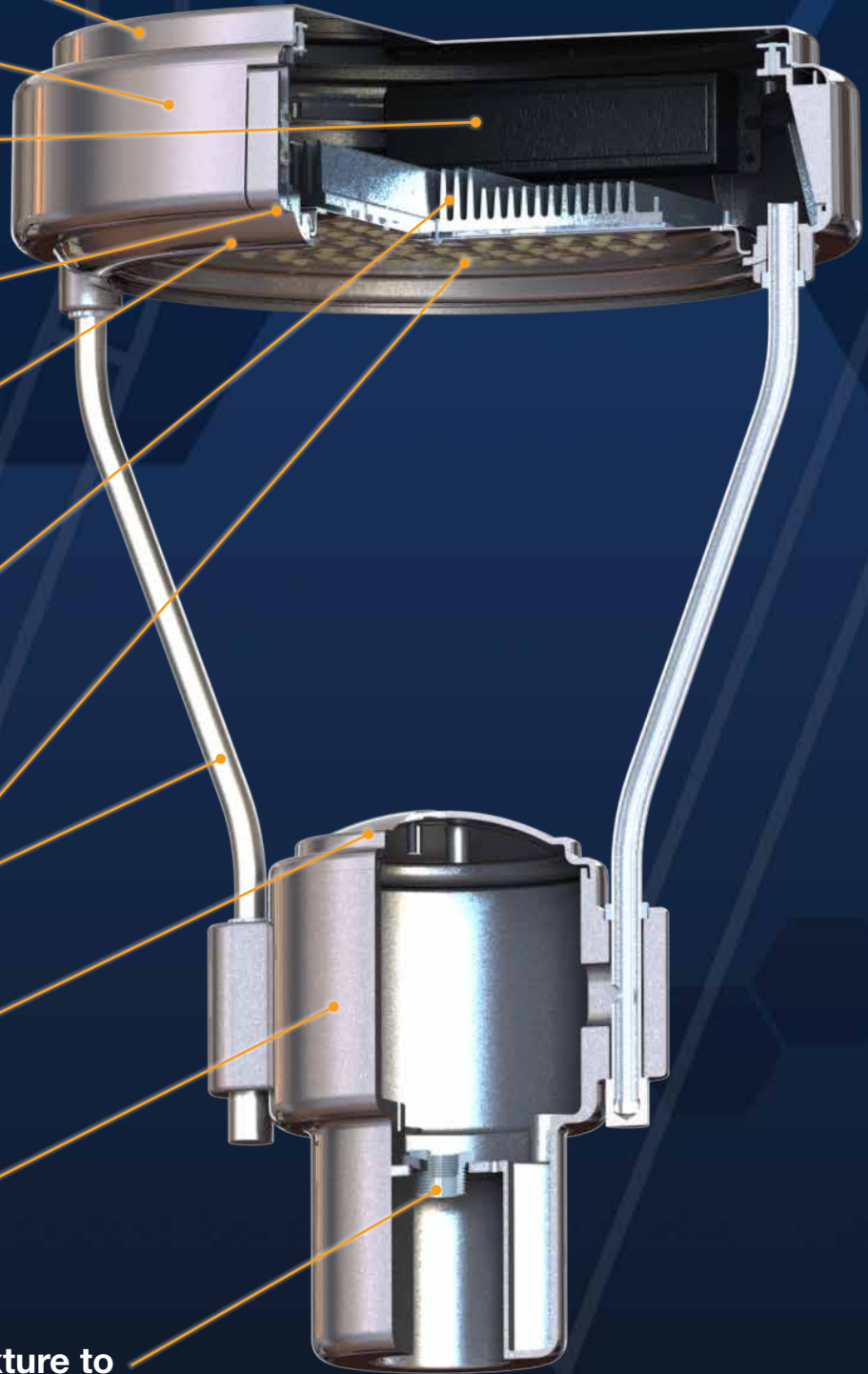
full-cutoff distribution types.

aluminum mounting arms.

aluminum twist lock cover for
flush fixture mounting.

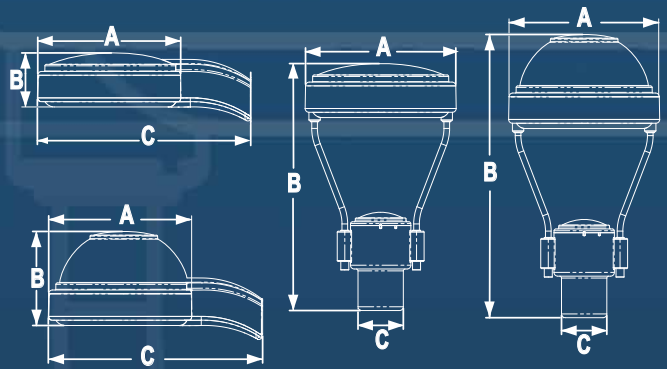
LED post top fitter designed to slip
over 1/2" tall tenon supplied with
locking mounting plate.

1/2" length mounting bolt attaches fixture to
1/2" threaded mounting plate.





Dimensional Drawings



Fixture	A	B	C	Max. LEDs	Lbs.
ARI-1 (AM)	20"	7¼"	28¼"	84	41
ARI-1 (PT)	20"	29¾"	6"	84	41½
ARI-2 (AM)	20"	12¼"	28¼"	84	42½
ARI-2 (PT)	20"	35"	6"	84	46

EPA Data

Fixture with Arm							
ARI-1-L	1.2	2.2	2.5	2.7	2.6	2.7	1.8
ARI-2-L	1.7	3.2	3.5	4.2	4.1	4.2	2.3

Model	Optics	# of LEDs	Milliamps	Kelvin	Voltage	Mounting	Finish	Options
ARI-1-L Low Profile	Type I (T1) 	42 (42LC)	350 (3)	4000K *Neutral white (4K)	120-277 *Universal voltage (UNV)	Arm Mount (AM)	Bronze (BZ)	Photocell & Receptacle *Specify voltage (PCR120) (PCR208) (PCR240) (PCR277) Photo Receptacle (PER) *With shunting cap Button Type Photocell *Specify voltage (PC120) (PC208) (PC240) (PC277) Fusing *Specify voltage. Single in-line fuse. (SF120) (SF277) Double in-line fuse. (DF208) (DF240) Painted Bars (PB) *For Post Top: Painted same color as housing. Bars come standard with chrome finish. Round Pole Plate Adaptor For 4"Ø Pole (RPP4) For 5"Ø Pole (RPP5) Cutoff Louver System (CLS) Aria Wall Plate (AWP) Aria Conduit Box (ACB) 0-10 V Dimming Driver *No controls (DIM)
		84 (84LC)	530 (5)	5500K *Cool white (55K)	Solar 24VDC (24VDC)	Post Top *Slips over 3"Ø tenon x 4" tall with special threaded mounting plate (PT)	Black (BK) White (WH) Forest Green (FG) Grey (GY) Silver Metallic (SL) Verdigris (VG) Weathered Brown (WB) Soft Gold (SG) Custom Color (CC)	
ARI-2-L Dome Top	Type II (T2) 					Wall Mount (WM)		
	Type III (T3) 							
	Type IV (T4) 							
	Type V (T5) 							
	Type V-W (T5W) 							

LED - Light Emitting Diode

Consult factory
for 347- 480 V

Round Pole Plate
Adaptors (RPP) are
to be ordered separately.

Housing

- Die cast aluminum fixture housing is 20" diameter with integral tool-less push latch sealing mechanism.

Door Frame and Lens

- Die cast aluminum door frame incorporates two one-piece silicone channel gaskets to seal the housing and arm completely. Opening the hinged door frame allows for direct access to the lamps and driver. The door frame includes an aircraft cable support to hold it securely while servicing the fixture.

Thermal Management

- The Aria provides excellent overall thermal management by maximizing the efficiency of the heat sink in the fixture. This enables the Aria to withstand higher ambient temperatures and higher drive currents without degrading LED life.
- The L70 test determines the point in an LED's life when it reaches 70 percent of its initial output. Aria series LEDs have been determined to last a minimum of 100,000 hours in 40 °C environments when driven at 350 mA. See LED Data Chart below for actual test results.

Optical System

- The highest lumen output Evo/C LEDs are utilized in the Aria series. IES Types I, II, III, IV, V and VW distributions are standard. The LED light engines are field replaceable. Available with up to 84 LEDs. The optical system qualifies as IES full cutoff; and is Dark-Sky certified to restrict light trespass, glare and light pollution.
- CRI values are 70 for 4000K and 75 for 5500K.

Quali-Guard® Finish

- Fixture components are chemically pretreated through a multiple stage washer and finished with an electrostatically applied, thermoset polyester powder coat textured paint with a 3 to 5 mils thickness. Finish is oven baked at 400 °F for maximum adherence and finish hardness.
- Available in standard and custom colors.
- Finish is guaranteed for five (5) years.

Mounting

- Post Top Mount: The contractor-friendly mounting hardware is concealed inside the post top fitter; which slips over a 3" O.D. x 4" tall tenon with a special threaded mounting plate, and is secured by a high-strength bolt.
- Arm Mount: The fixture mounts directly to the pole by means of three stainless steel mounting bolts attaching to an in-pole nut plate, to ensure level installation.
- A Round Pole Plate Adaptor (RPP-4/5) is required for mounting to 4" or 5" round poles.

Electrical Assembly

- The Aria is supplied with a choice of 350 or 530 mA high-performance LED drivers that accept 120 V through 277 V, 50 Hz to 60 Hz, input. Power factor of 90%. Rated for -40 °C operations.
- 3 kV surge protector supplied as standard.

Warranty

- Five (5) year Limited Warranty on entire system, including finish. For full warranty information, please visit VisionaireLighting.com.

Solar Panel Option

- The Aria is compatible for use with Visionaire Lighting's Solar Panel Pole™.

Options

- Photocell & receptacle
 - Photo receptacle
 - Button type photocell
 - Fusing
 - Aria conduit box
 - Painted bars for post top mount
 - Round pole plate adaptor
 - Cutoff louver system
 - Aria wall plate
 - 0-10 V dimming driver
- Please consult factory for custom options.

Listings

- Aria is  listed, suitable for wet locations.
- Dark-Sky Friendly®, full cutoff certified by the International Dark-Sky Association.
- LM179.
- LM80.
- RoHS compliant.
- Powder Coated Tough.



LED - HID Comparison Chart - Aria LED

Comparison 1			Comparison 2		
	ARIA-42LC-350MA	Savings		ARIA-42LC-530MA	Savings
LED Wattage Compared to 100 HID	LED Life Hours Compared to 100 HID	10 Year Energy Savings*	LED Wattage Compared to 150 HID	LED Life Hours Compared to 150 HID	10 Year Energy Savings*
46 / 130 Watts	100,000 / 20,000 Hours	\$435	70 / 185 Watts	80,000 / 20,000 Hours	\$596
Comparison 3			Comparison 4		
	ARIA-84LC-350MA	Savings		ARIA-84LC-530MA	Savings
LED Wattage Compared to 250 HID	LED Life Hours Compared to 250 HID	10 Year Energy Savings*	LED Wattage Compared to 400 HID	LED Life Hours Compared to 400 HID	10 Year Energy Savings*
92 / 295 Watts	100,000 / 20,000 Hours	\$1,052	137 / 465 Watts	80,000 / 20,000 Hours	\$1,170

* Savings based on 12 hours operation per night, \$.12 per kwh. Refer to the LED Data Chart below for lumen ratings and addtl wattage information.

LED Data Chart for 5500K*

# LEDs	Output mA	Type 1	Type 2	Type 3	Type 4	Type 5	Type 5W	System Watts	L70 Hours
42	350	3,840	3,941	3,754	3,811	3,988	4,140	46	100,000
	530	4,647	5,132	4,925	4,855	5,410	5,644	68	80,000
84	350	7,507	7,883	6,663	7,320	7,976	8,280	92	100,000
	530	9,155	10,265	9,988	9,710	10,820	11,288	136	80,000

Visit www.VisionaireLighting.com for up-to-the-minute chart information, including types not listed here.

* For 4000K multiply values by 0.97



19645 Rancho Way . Rancho Dominguez, CA 90220

310.512.6480

www.VisionaireLighting.com