

# V Sconce Installation Instructions



All installation work must be performed by a qualified, certified electrician.

Caution! Disconnect all power before installation.

## BEFORE YOU BEGIN

- Read these instructions completely and carefully.
- Save these instructions for future use.

## WARNING

- To avoid possible risk of fire or shock turn off power prior to installation or maintenance preferably at circuit breaker. Product must be installed following all NEC and local Electrical Codes

## UNPACKING

- This luminaire has been properly packaged so that no damage shall occur during transportation
- Inspect and confirm

## NOTE

- Integrity of luminaire mounting to surface is not responsibility of Visionaire Lighting

## INSTALLATION

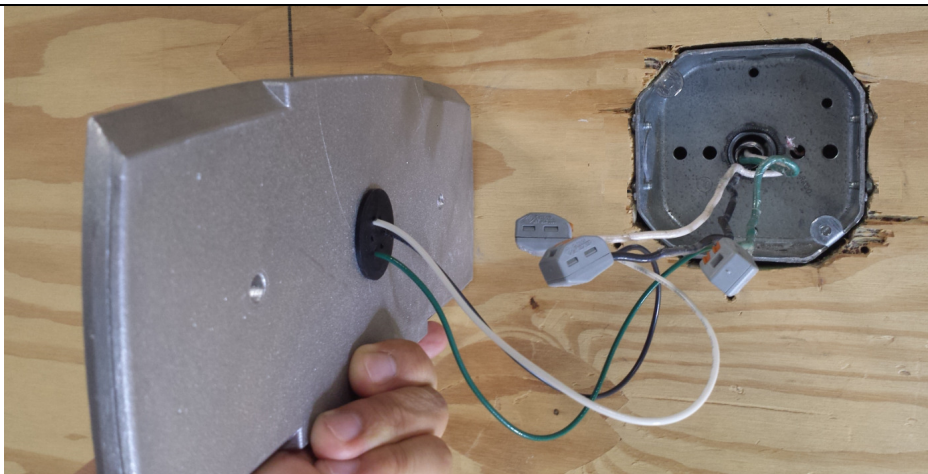


Figure. 1

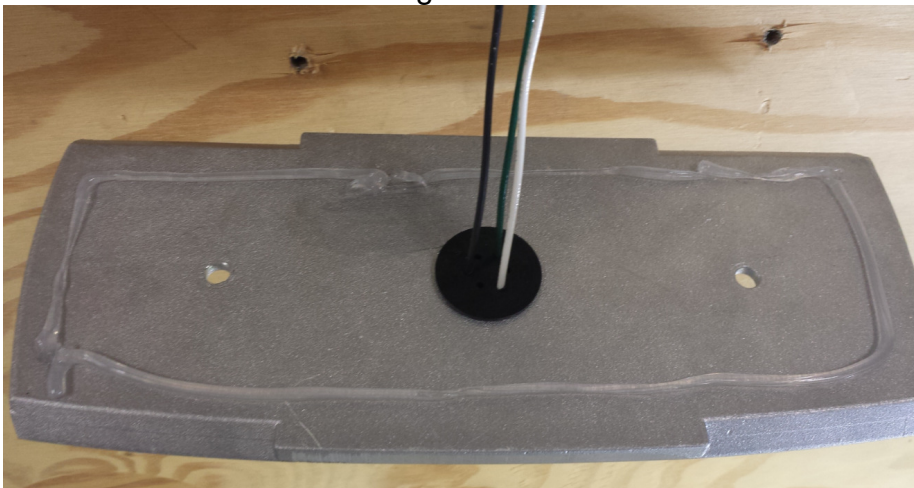


Figure. 2

1. Make electrical connections from the wall to the wires supplied by fixture (Fig. 1)
2. Apply silicone at the Wall plate. (Fig. 2)



Figure. 3

3. Wall plate is supplied with (2) clearance holes for 1/4 – 20 bolts (by others) and (4) dill points for mounting directly to wall surface. (Fig. 3)

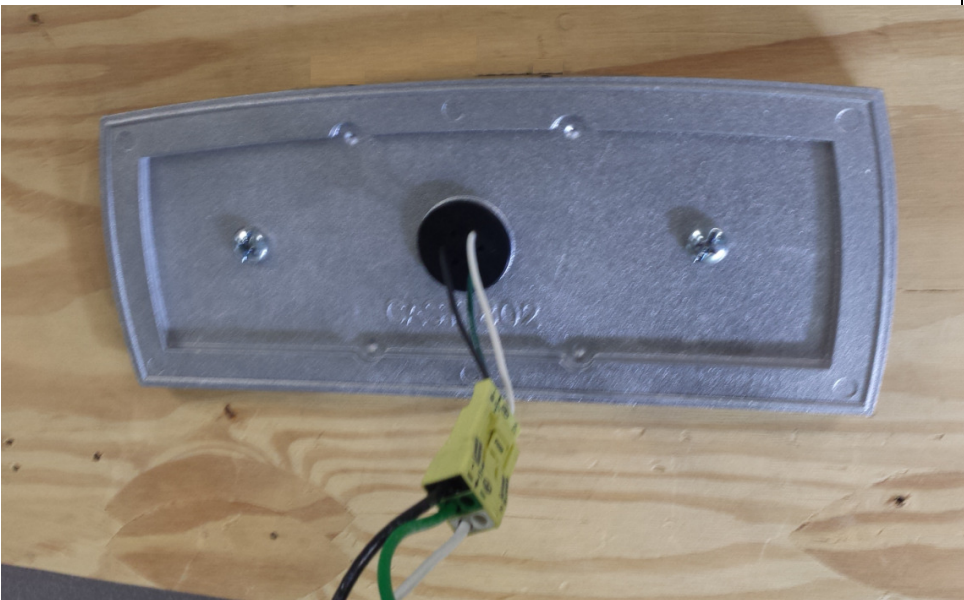


Figure. 4

4. Make electrical connections and firmly slide luminaire into the wall plate. (Fig. 4 & 5 & 6)

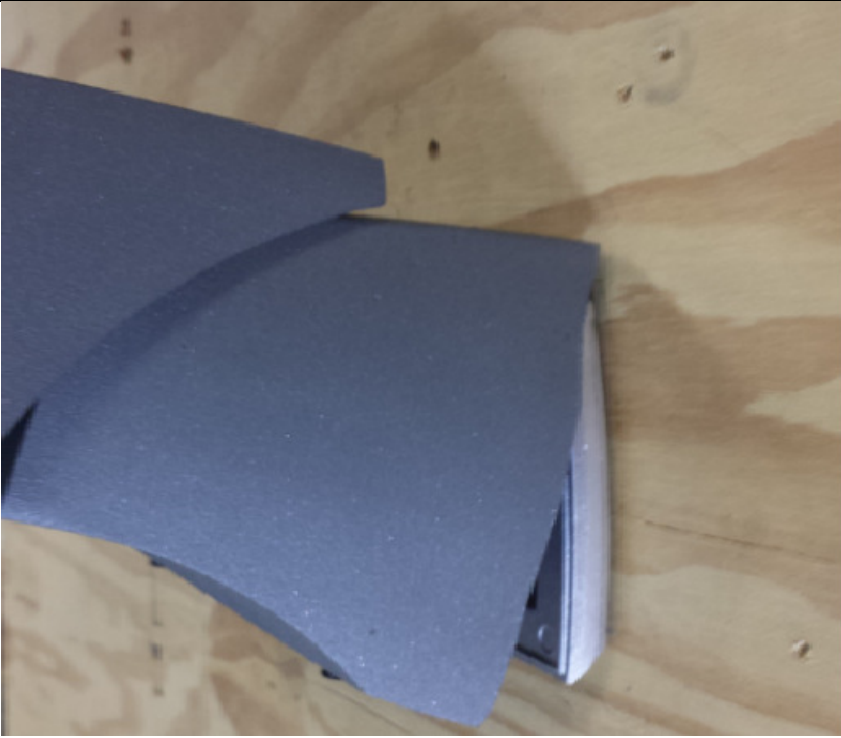


Figure. 5

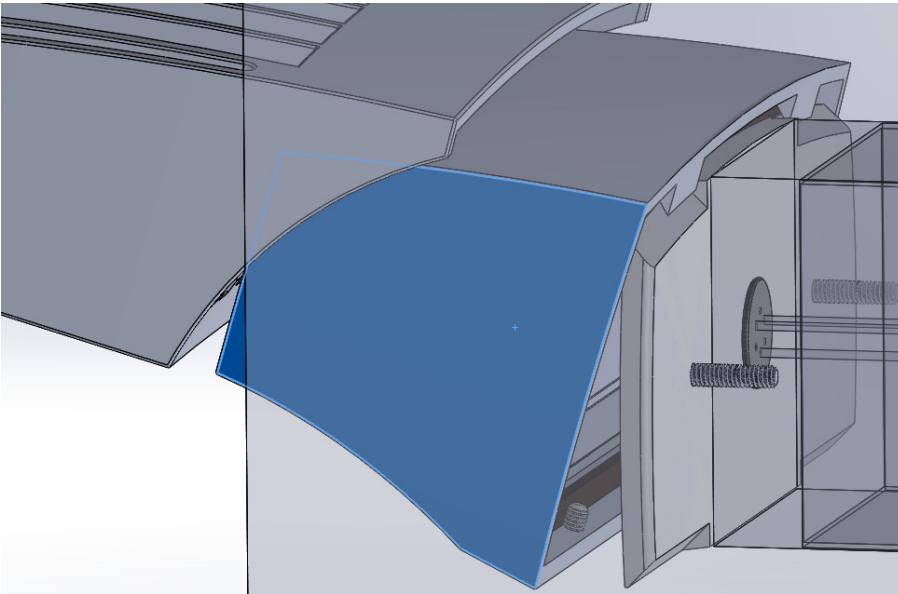


Figure. 6

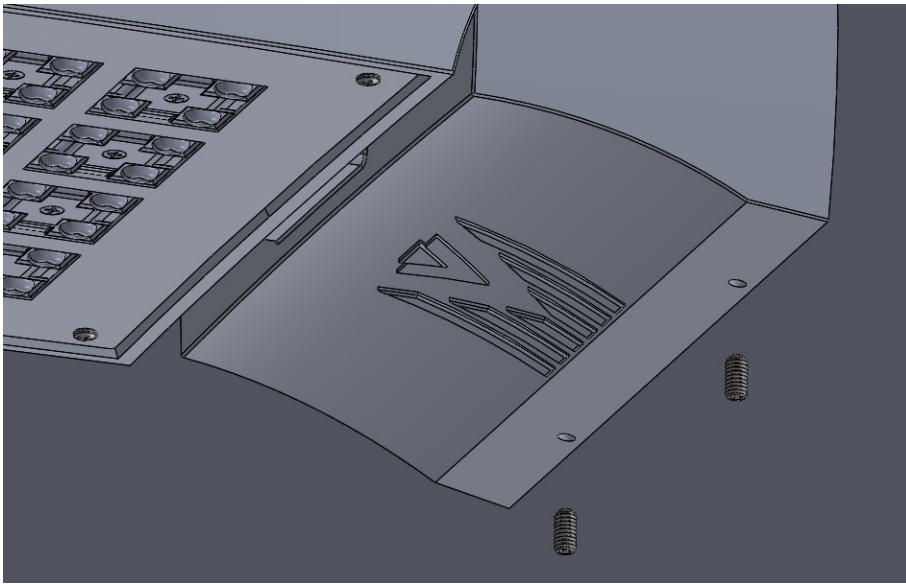
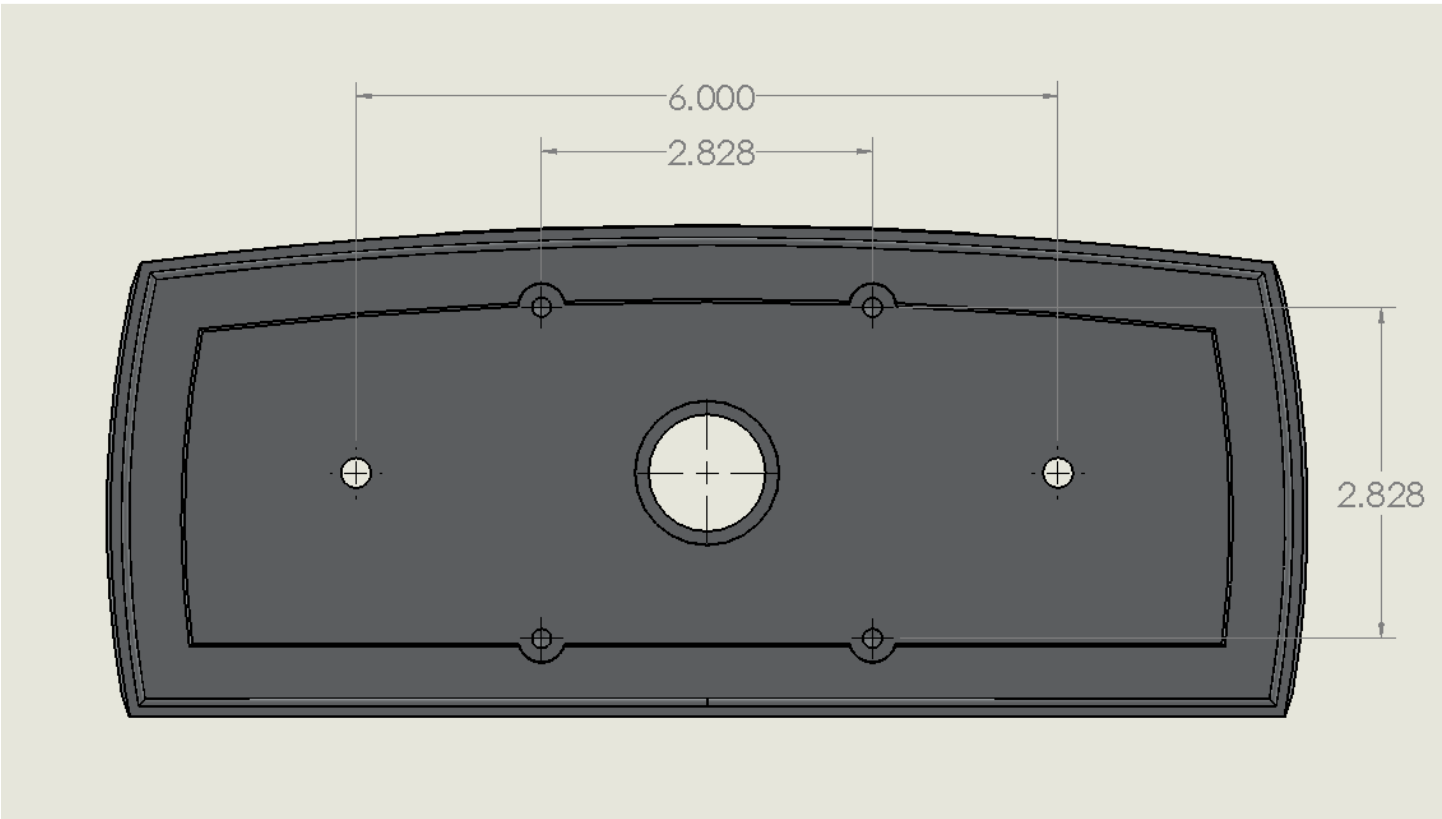
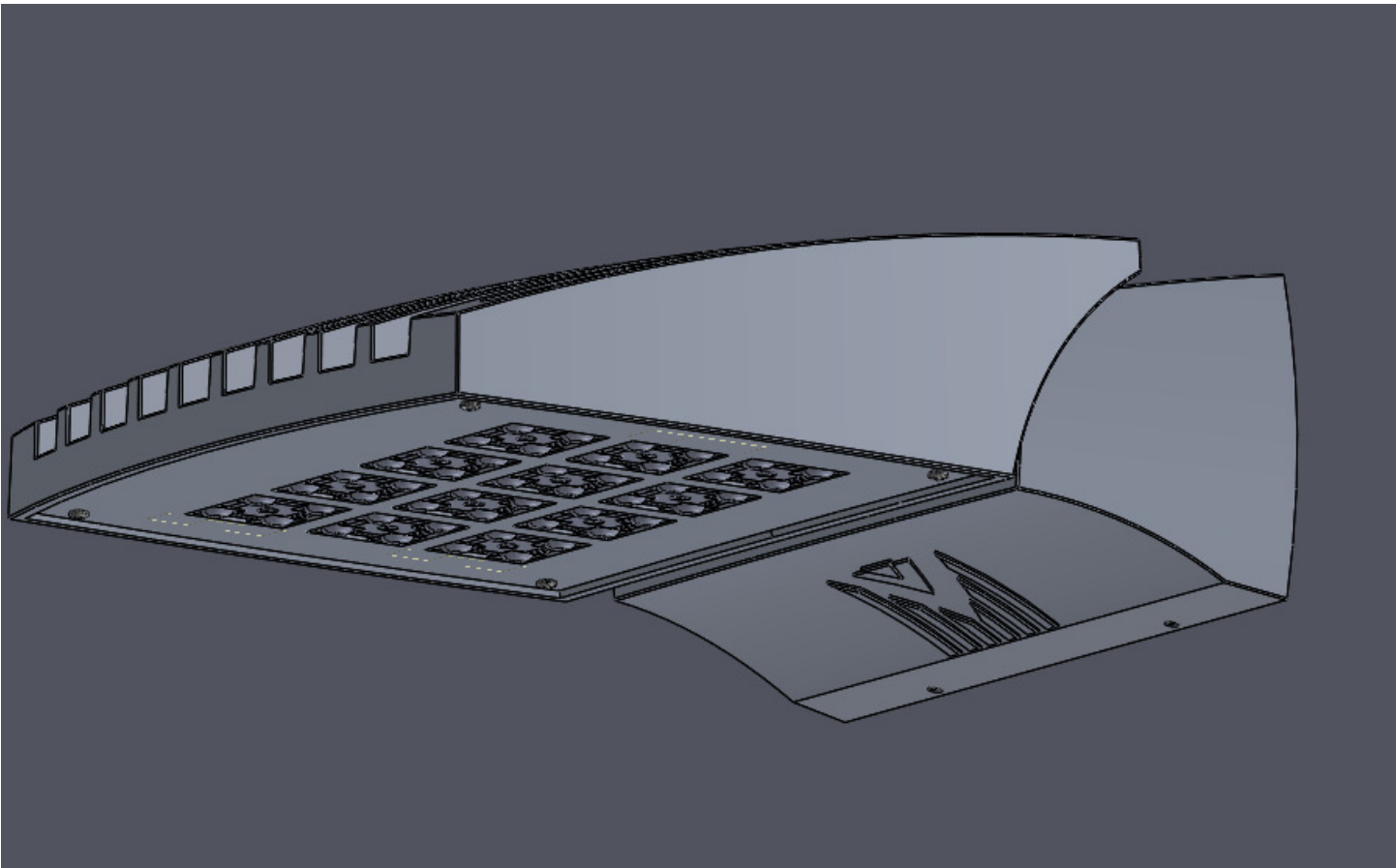


Figure. 6



Figure. 7

5. Firmly tighten luminaire to wall with (2) set screws attached to the luminaire (Fig. 6 & 7)





**Visionaire Lighting, LLC**  
877.977.LITE (5483)

19645 Rancho Way  
Rancho Dominguez, CA 90220  
[www.visionairelighting.com](http://www.visionairelighting.com)