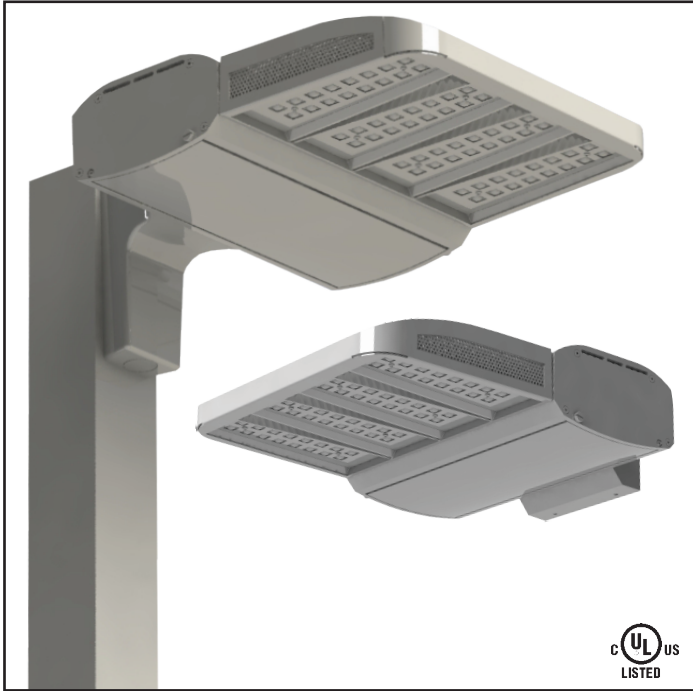


BSX-II Wildlife Certified LED Specifications



Project Name:

Catalog Number:

Type:

The new **BOW SX LED** Series continues the unique contemporary design inspired by the sleek styling of the BOW family. Separating the extruded aluminum driver housing and the individual die-cast aluminum linear LED engines: optimize the life of the LEDs and the Driver(s); and maximizes the lumen output of the fixture.

Each of the individual LED light engines come with 16 LEDs; for a max total of 64 LEDs. Nine optical distribution patterns are available. 590 nm diode supplied as standard.

A durable polyester powder coat finish is guaranteed for five years; and is available in standard or custom colors.

The **BOW SX LED** series is an exceptional choice for shopping centers, schools, office buildings, and general area lighting.

Ordering Information

MODEL	OPTICS	SOURCE	CURRENT	KELVIN	VOLTAGE	MOUNTING	FINISH	OPTIONS	OPTIONS
BSX-II-2	FM Flood Medium	32LC	3 350mA	TS 590 nm	UNV 120-277V	MA Mast Arm Fitter	GY Grey	PCR-120 Photocell & Receptacle	VWC Visionaire Wireless Controls Consult Factory
BSX-II-3	FN Flood Narrow	48LC	5 530mA		8 347V	BOA Bolt-On Arm	SL Silver Metallic	PCR-208 Photocell & Receptacle	RPP Round Pole Plate Adaptor For 3"Ø - 5"Ø Pole
BSX-II-4	T1 Type 1	64LC			5 480V	WM Wall Mount	BK Black	PCR-240 Photocell & Receptacle	UPMA-S Universal Square Pole Mount Adaptor
	T2 Type 2						SBK Smooth Black	PCR-277 Photocell & Receptacle	UPMA-R Universal Round Pole Mount Adaptor
	T3 Type 3						WH White	PCR-480 Photocell & Receptacle	DS Decorative Shroud
	T4 Type 4						SWH Smooth White	PER 3 Pin Photo Receptacle w/shorting cap	ROT-R Rotated Optics Right Side
	T5 Type 5						BZ Bronze	5PINPER 5 Pin Photo Receptacle w/shorting cap Requires Dimming Driver	ROT-L Rotated Optics Left Side
	T5W Type 5 Wide						GP Graphite	7PINPER 7 Pin Photo Receptacle w/shorting cap Requires Dimming Driver	LS Light Shield
	T5WR Type 5 Wide Round						CC Custom Color	DIM 0-10v Dimming Driver No Controls	
								WSC-8 Motion Sensor 8' Mounting Height	
								WSC-20 Motion Sensor 9-20' Mounting Height	
								WSC-40 Motion Sensor 21-40' Mounting Height	
								The WSC option will require (1) FSIR 100 remote for programming	

Housing

The LED light engines are constructed of heavy-duty, die-cast aluminum, with external heat radiating fins.

Driver Compartment

The separate driver housing is constructed of extruded aluminum, with vented cast aluminum end covers and stainless steel fasteners; for easy access to the LED driver(s); allowing for cooler operation and longer driver life. One-piece gasketing is utilized throughout the fixture for weather tight operation.

Thermal Management

- The BOW SX Series provides excellent overall thermal management by maximizing the fixture's heat sink capabilities. This enables the BOW SX Series to withstand higher ambient temperatures and drive currents without degrading LED life.
- The L70 test determines the point in an LEDs life when it reaches 70 percent of its initial output. The BOW SX Series LEDs have been determined to last a minimum of 100,000 hours in 25°C environments when driven at 350 mA.

Optical System

- The highest lumen output, LEDs are utilized in the BOW SX Series.
- IES distribution Types FM, FN, 1, 2, 3, 4, 5, 5W and 5WR are available.
- LED light engines come in multiples of 16 LEDs.
- 590 nm diode supplied as standard.

Quali-Guard® Finish

- The finish is a Quali-Guard® textured, chemically pretreated through a multiple-stage washer, electrostatically applied, thermoset polyester powder coat finish, with a minimum of 3-5 millimeter thickness. Finish is oven-baked at 400° F to promote maximum adherence and finish hardness.
- All finishes are available in standard and custom colors.
- Finish is guaranteed for five (5) years.

Mounting

- A round extruded 6" aluminum, Bolt-On Arm (BOA) with an in-pole nut plate. A Round Pole Plate Adapter (RPP) is required for mounting to round poles.
- A cast wall mount plate is available for wall mount applications.

Electrical Assembly

- The BOW SX Series is supplied with a choice of 350 or 530 mA high-performance LED drivers, that accept 120v thru 480v, 50 Hz to 60 Hz, input.
- Power factor of 90%.
- Rated for -40° C to +55° C operations.
- THD less than or equal to 20%
- 20 kV surge protector supplied as standard.
- 0-10v Dimming Driver supplied as standard.

Warranty

Five (5) year Limited Warranty on entire system, including finish. For full warranty information, please visit VisionaireLighting.com.

Options

- Photocell & Receptacle
- Photo Receptacle
- Round Pole Plate Adapter
- Motion Sensor
- Universal Pole Mount Adapter
- Decorative Shroud
- Dimming Driver
- Wireless Controls
- Rotated Optics

Listings

- BOW SX Series is UL Listed, suitable for wet locations.
- IP65 Rated
- Powder Coated Tough™
- IDA Certification
- Turtle Safe
- Certified Wildlife Lighting



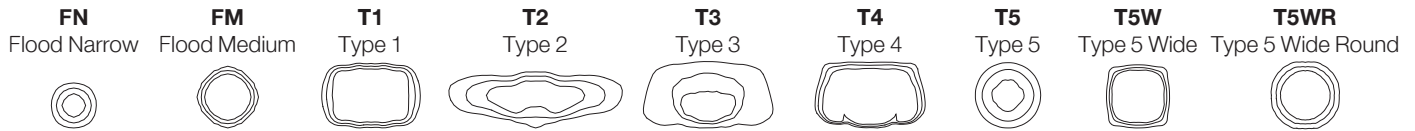
The Wildlife Lighting Program was developed by the Department of the Interior's U.S. Fish and Wildlife Service and the Florida Fish and Wildlife Conservation Commission to address light pollution issues in ecologically sensitive areas while ensuring human safety and security.



Motion Sensor Default Setting									
Type	High Mode	Low Mode	Time Delay	Cut off Delay	Sensitivity	Hold Off Setpoint	Photocell On/Off	Ramp Up Time	Fade Down Time
WSC - Default	10V	1V	5 Min	1 Hour	Max	Disabled	Disabled	Disabled	Disabled
WSC Range	0 -10V	0 -9.8V	5 -30 Min	1 -5 Hours	Low, Med, Max	1 -250FC	1 -250FC	1 -60 Dec	1-60 Dec

BSX-II Wildlife Certified LED Specifications

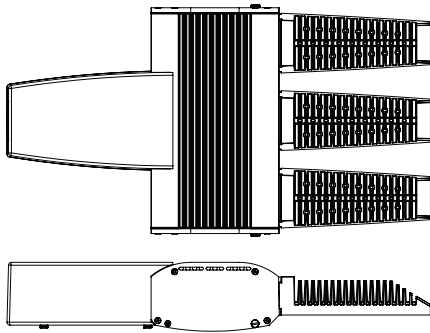
Photometric Optical Summary



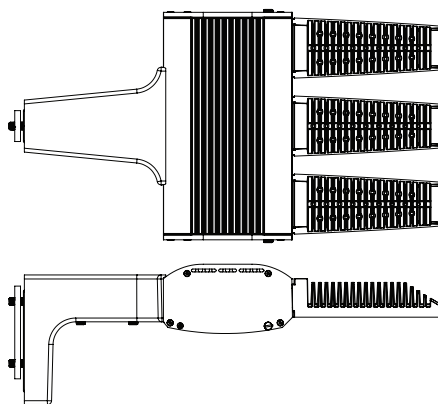
Dimensions

Mast Arm		Bolt-On Arm	
Width:	BSX-II-2 15" BSX-II-3 15" BSX-II-4 17"	Width:	BSX-II-2 15" BSX-II-3 15" BSX-II-4 17"
Depth:	BSX-II-2 28" BSX-II-3 28" BSX-II-4 28"	Depth:	BSX-II-2 27" BSX-II-3 27" BSX-II-4 27"
Height:	BSX-II-2 5" BSX-II-3 5" BSX-II-4 5"	Height:	BSX-II-2 9" BSX-II-3 9" BSX-II-4 9"

Mast Arm



Bolt-On Arm



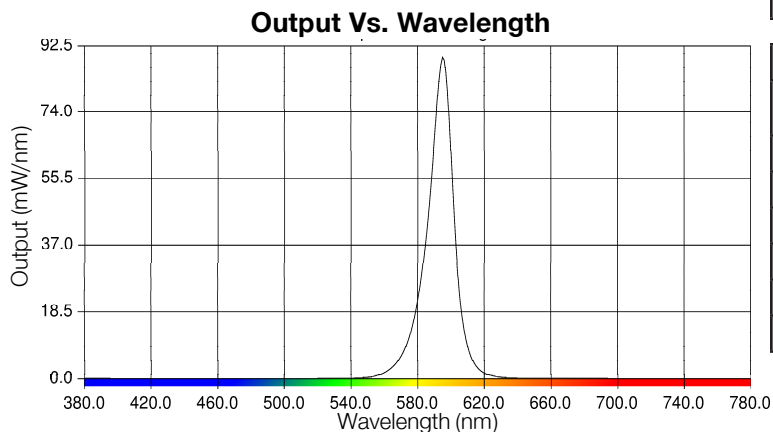
BSX-II Wildlife Certified TS (590 nm) LUMEN DATA											
# LEDs	Current (mA)	FM	FN	T1	T2	T3	T4	T5	T5W	T5WR	Watts
32	350	1316	1284	1214	1112	1114	1118	1128	1068	1079	36
	530	1852	1807	1708	1565	1568	1573	1588	1503	1518	53
48	350	1909	1864	1761	1614	1617	1622	1637	1550	1565	54
	530	2749	2684	2537	2324	2328	2336	2358	2232	2254	81
64	350	2665	2601	2459	2252	2256	2264	2286	2163	2185	73
	530	3849	3757	3552	3253	3260	3271	3302	3124	3156	107

BSX-II Wildlife Certified TS (590 nm) LPW DATA											
# LEDs	Current (mA)	FM	FN	T1	T2	T3	T4	T5	T5W	T5WR	Watts
32	350	37	36	34	31	31	31	31	30	30	36
	530	35	34	32	30	30	30	30	28	29	53
48	350	35	35	33	30	30	30	30	29	29	54
	530	34	33	31	29	29	29	29	28	28	81
64	350	37	36	34	31	31	31	31	30	30	73
	530	36	35	33	30	30	31	31	29	29	107

BSX-II Wildlife Certified TS (590 nm) BUG DATA																																
# LEDs	Current (mA)	FM			FN			T1			T2			T3			T4			T5			T5W			T5WR			Watts			
		B	U	G	B	U	G	B	U	G	B	U	G	B	U	G	B	U	G	B	U	G	B	U	G							
32	350	1	0	0	1	0	0	1	0	1	0	0	0	0	0	0	0	0	0	0	0	0	1	0	0	1	0	0	1	0	0	36
	530	2	0	0	2	0	0	1	0	1	0	0	0	1	0	1	1	0	1	1	0	1	1	0	0	1	0	0	1	0	0	53
48	350	2	0	0	2	0	0	1	0	1	0	0	0	1	0	1	1	0	1	1	0	1	1	0	0	1	0	0	1	0	0	54
	530	3	0	0	3	0	0	1	0	1	0	0	0	1	0	1	1	0	1	1	0	1	2	0	1	2	0	1	2	0	1	81
64	350	3	0	0	3	0	0	1	0	1	0	0	0	1	0	1	1	0	1	1	0	1	2	0	0	2	0	1	2	0	1	73
	530	3	0	0	3	0	0	2	0	2	0	0	1	1	0	1	1	0	1	2	0	1	2	0	1	2	0	1	2	0	1	107

BSX-II WEIGHT		
BSX-2	BSX-3	BSX-4
16 LBS	21 LBS	26 LBS

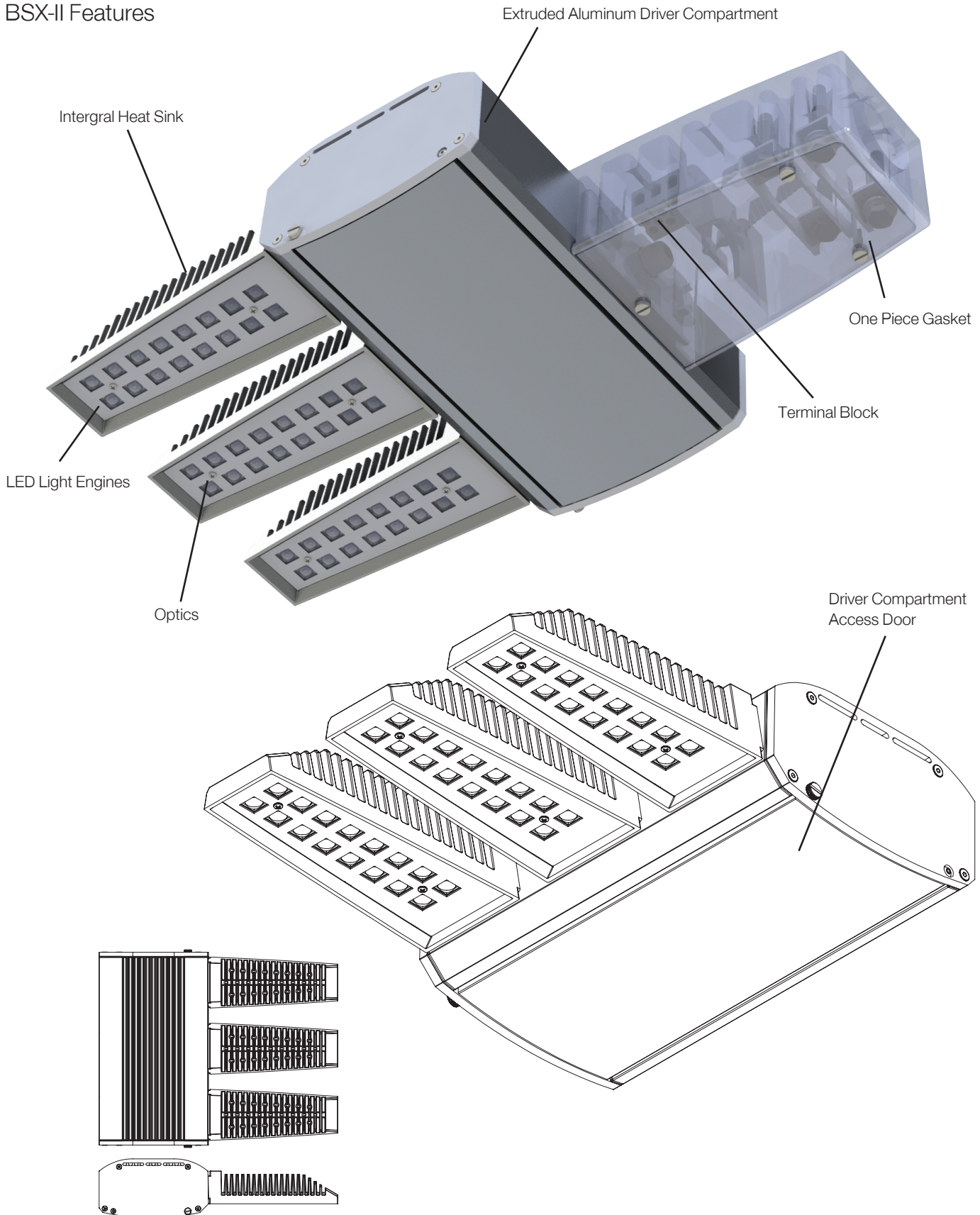
BSX-II EPA DATA			
Tilt Deg.	BSX-2	BSX-3	BSX-4
0	.58	.58	.59
10	.58	.62	.77
20	.62	.82	1.02
30	.76	1.02	1.28
40	.9	1.2	1.53
50	1.01	1.36	1.75
60	1.11	1.5	1.93
70	1.14	1.6	2.06
80	1.19	1.66	2.13
90	1.21	1.68	2.14



BSX-II Wildlife Certified - ELECTRICAL LOAD (A)							
Ordering Nomenclature	System Watts	120	208	240	277	347	480
BSX-II-2-T5W-32LC-3	36	0.30	0.17	0.15	0.13	0.10	0.08
BSX-II-2-T5W-32LC-5	53	0.44	0.25	0.22	0.19	0.15	0.11
BSX-II-3-T5W-48LC-3	54	0.45	0.26	0.23	0.19	0.16	0.11
BSX-II-3-T5W-48LC-5	81	0.68	0.39	0.34	0.29	0.23	0.17
BSX-II-4-T5W-64LC-3	73	0.61	0.35	0.30	0.26	0.21	0.15
BSX-II-4-T5W-64LC-5	107	0.89	0.51	0.45	0.39	0.31	0.22

BSX-II Wildlife Certified LED Specifications

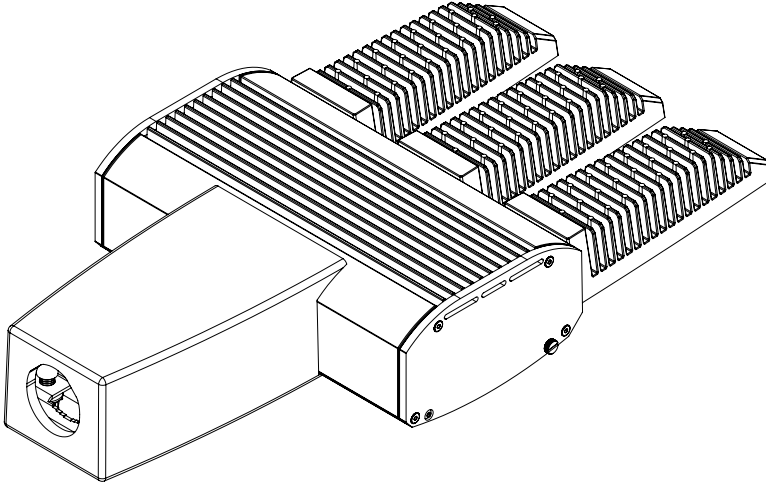
BSX-II Features



BSX-II Mounting Options

Mast Arm Mount

Mast Arm Fitter fits over a 2 3/8" tenon.



Arm Mount

The Bolt-On Arm (BOA) utilizes a 2 piece cleat system for easy installation. A Round Pole Plate Adaptor (RPP) is required for mounting to round poles.

