

All installation work must be performed by a qualified, certified electrician.

Caution! Disconnect all power before installation.

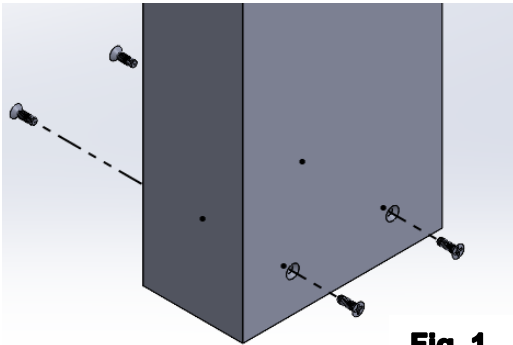


Fig. 1



BEFORE YOU BEGIN

Read these instructions completely and carefully. Save these instructions for future use.

WARNING

To avoid possible risk of fire or shock turn off power prior to installation or maintenance preferably at circuit breaker. Product must be installed following all NEC and local Electrical Codes.

Wire lead color specifications.

(Fixture) Black → Load/Hot

(Fixture) White → Neutral/Common

(Fixture) Green → Ground

(Fixture) Purple → Dim+ (If required)

(Fixture) Grey → Dim- (If required)

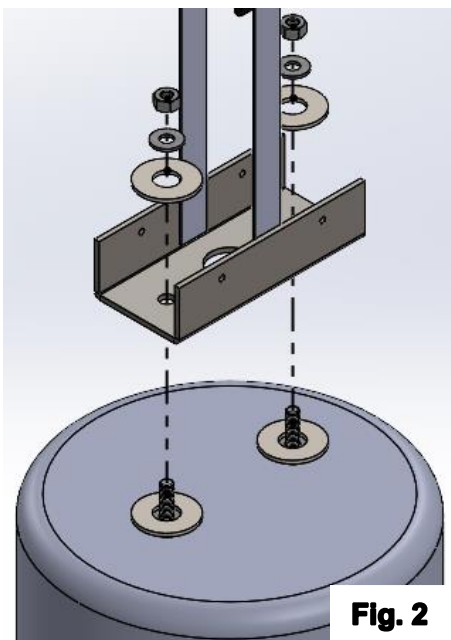


Fig. 2

UNPACKING

- This luminaire has been properly packaged so that no damage shall occur during transportation.
- Inspect and confirm.

INSTALLATION

- Loosen the (4X) screws and remove the mount bracket from the luminaire (**Fig. 1**).
- Install the base plate and secure tightly to anchor bolts with retaining nuts. Be sure wire-way hole is free of rough edges and adverse burr (**Fig. 2**).
- Slide the power leads cable between the wire way hole and make electrical connections per NEC (the National Electrical Code).

NOTES:

Not to scale, for reference only.

Luminaire model or components can vary.

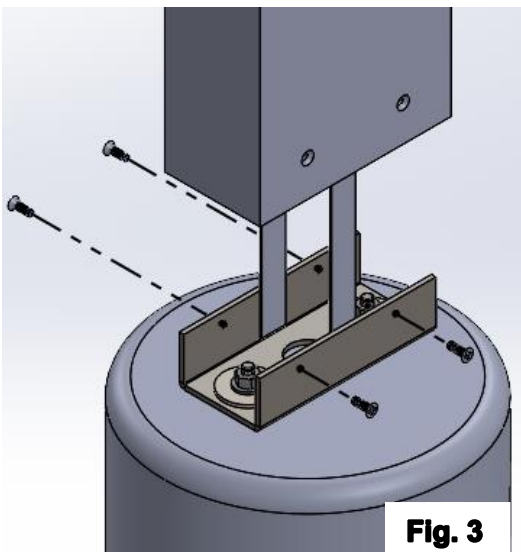
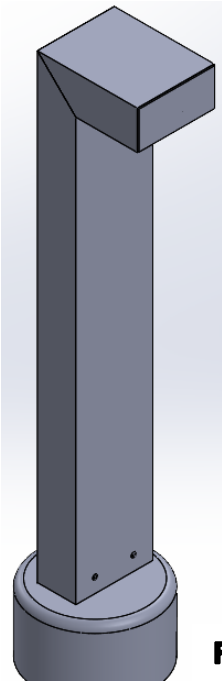


Fig. 3



**Fig. 4****INSTALLATION**

- Place luminaire into the mount bracket and fasten (4X) set screws to secure the luminaire (**Fig. 3**).
- Final assembly (**Fig. 4**).

NOTES:

Not to scale, for reference only.

Luminaire model or components can vary.

