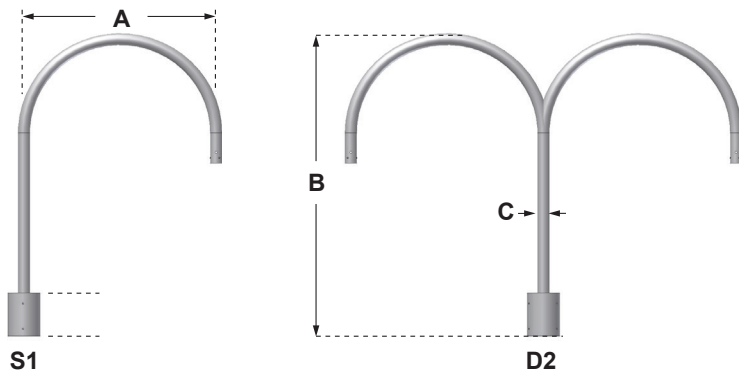


# VA100

Project Name:

Catalog Number:

Type



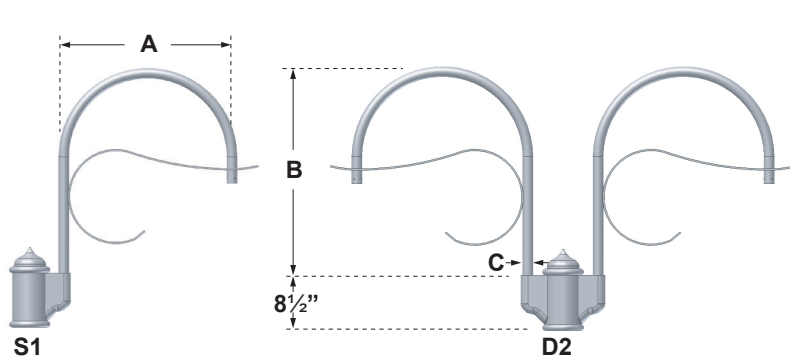
\*Please consult factory for mounting hole template

The **VA100-L** and **VA100-M** crook arm dimensions are for standard size 2 or size 3 Architectural luminaires only. **VA100-S** is standard for smaller, size 1 luminaires. Please consult factory for custom options.

Fixture	A	B	C	D	E	EPA S1	EPA D2	EPA WM
VA100-L	26"	42"	2 <sup>3</sup> / <sub>8</sub> " Ø	7"	24"	1.2	1.9	1.1
VA100-M	26"	42"	1 <sup>5</sup> / <sub>8</sub> " Ø	7"	24"	.9	1.3	.9
VA100-S	16 <sup>1</sup> / <sub>2</sub> "	36"	1 <sup>5</sup> / <sub>8</sub> " Ø	7"	20"	.7	1.0	.6

Model	Mounting	Pole or Tenon Size	Finish
VA100-L	Single (S1)	2 <sup>3</sup> / <sub>8</sub> " dia. (2 <sup>3</sup> / <sub>8</sub> )	Bronze (BZ)
VA100-M	Double (D2)	3" dia. (3)	Black (BK)
VA100-S	Wall Mount (WM)	3 <sup>1</sup> / <sub>2</sub> " dia. (3 <sup>1</sup> / <sub>2</sub> )	White (WH)
		4" dia. (4)	Sandstone (SN)
		4 <sup>1</sup> / <sub>2</sub> " dia. (4 <sup>1</sup> / <sub>2</sub> )	Weathered Brown (WB)
			Silver Metallic (SL)
			Verdigris (VG)
			Forest Green (FG)
			Custom Color (CC)

# VA101



\*Please consult factory for mounting hole template

The **VA101-L** crook arm dimensions are for standard size 2 or size 3 Architectural luminaires only. **VA 101-S** is standard for smaller, size 1 luminaires. Please consult factory for custom options.

Fixture	A	B	C	D	E	EPA S1	EPA D2	EPA WM
VA101-L	26"	33 <sup>3</sup> / <sub>4</sub> "	2 <sup>3</sup> / <sub>8</sub> " Ø	7"	22"	1.5	2.8	1.4
VA101-M	26"	33 <sup>3</sup> / <sub>4</sub> "	1 <sup>5</sup> / <sub>8</sub> " Ø	7"	22"	1.2	2.2	1.1
VA101-S	16 <sup>1</sup> / <sub>2</sub> "	26"	1 <sup>5</sup> / <sub>8</sub> " Ø	7"	22"	1.2	1.9	.9

Model	Mounting	Pole or Tenon Size	Finish
VA101-L	Single (S1)	3 <sup>1</sup> / <sub>2</sub> " dia. (3 <sup>1</sup> / <sub>2</sub> )	Bronze (BZ)
VA101-M	Double (D2)	4" dia. (4)	Black (BK)
VA101-S	Wall Mount (WM)	4 <sup>1</sup> / <sub>2</sub> " dia. (4 <sup>1</sup> / <sub>2</sub> )	White (WH)
		5" dia. (5)	Sandstone (SN)
			Weathered Brown (WB)
			Silver Metallic (SL)
			Verdigris (VG)
			Forest Green (FG)
			Custom Color (CC)

For more detailed information on mounting, wiring or installation instructions, please consult factory. If poles are not ordered with fixtures, please specify mounting requirements. This document contains proprietary information of Visionaire Lighting, LLC. Any use of this information requires the written approval of Visionaire Lighting, LLC. In keeping with our TQM policy of continuous improvement, Visionaire reserves the right to change any specifications contained herein without prior notice.