



PREMIER
Collection



PREMIER *Collection*

Check Out What's New!

At Visionaire Lighting we are always looking to advance and engineer the latest in LED technology and lighting. In our efforts of advancement we have taken our highly rated Premier II LED luminaire and revamped it. Now with more optics, better thermal management, advanced LED technology, easy mounting, maintenance and great energy efficiency. Plus a separate driver compartment allows for our longest LED life yet.

The Premier Collection is now available in a family of fixtures to help create a complete, modern, unified look for any site. The collection comes complete with 2 area light sizes in: post-top and arm mount, wall mounting capabilities and a bollard.



Quality Through & Through!

The Premier Collection offers contemporary architectural design and meets the new generation of LED technology. It is the perfect complement to any university campus, business park, or walkway project where performance and esthetics are required.

The Premier Collection is built to last with cast aluminum housings; hinged, spun aluminum top; and extruded aluminum arms.

The Premier Collection provides over fifty percent energy savings over traditional light sources, and reduces maintenance costs by years and years. Life expectancy of the LEDs is upwards of 20 years!

A variety of optical distributions are available for unlimited design applications. For more information contact us at, www.visionairelighting.com

06.09.2020

 **VISIONAIRE LIGHTING**

PRE-2-L LED Specifications



Project Name: _____

Catalog Number: _____

Type: _____

Contemporary design meets the new generation of LED green technology in this stunning luminaire, the **PRE-2-L**. The Premier II series provides over fifty percent energy savings over traditional HID light sources; and offers excellent beam control and LED life beyond 100,000 hours for 350 milliamp systems. The PRE-2-L is offered in six optical distributions.

The PRE-2-L's fully-sealed housing features an exceptionally well-designed thermal management system that provides superior heat dissipation.

The PRE-2-L fixture is built with a cast aluminum housing, extruded aluminum arms and a spun aluminum, removable top.

The popular **PRE-2-L** is the perfect compliment to any university campus, business park, or walkway project where contemporary, architectural design is desired.

Ordering Information

MODEL	OPTICS	SOURCE	CURRENT	KELVIN	VOLTAGE	MOUNTING	FINISH	OPTIONS	
PRE-2-L	T1	48LC	3	3K	UNV	PT Post Top *Slips over 4" OD tenon X 4.5" tall as standard	BZ Bronze	PC-120 PC-208 PC-240	
	T2	64LC	350mA	3000K	120-277V		BK Black	PC-277 Button Type Photocell	
	T3	80LC	530mA	4000K	347V		SBK Smooth Black	WSC-8 Motion Sensor 8' Mounting Height	
	T4	96LC	7	5K	5		480V	WH White	WSC-20 Motion Sensor 9-20' Mounting Height
	T5		700mA	5000K				SWH Smooth White	WSC-40 Motion Sensor 21-40' Mounting Height
	T5W							GP Graphite	GY Grey This option will require (1) FSIR 100 remote for programming
						SL Silver Metallic	CC Custom Color	DIM 0-10v Dimming Driver	
								VWC Visionaire Wireless Controls * Consult Factory	
								IR-(R, B, G) Illuminated Rings (Red, Blue, Green)	

Features & Specifications

PRE-2-L

Housing

The PRE-2-L's housing is constructed from durable, corrosion-resistant, cast aluminum. The spun aluminum top cap is .080 gauge, and easily removable for service. Silicone gasketing is provided for complete weather and insect protection.

Thermal Management

The PRE-2-L provides excellent overall thermal management by maximizing the efficiency of the heat sink in the fixture. This enables the Premier II to withstand higher ambient temperatures and higher drive currents without degrading LED life.

Optical System

The highest lumen output LEDs are utilized. High-performance acrylic optics feature industry leading Type I, II, III, IV, V and VW optical distributions. Acrylic optics are impact-resistant and rated to 94 percent translucence.

L70 life of our LEDs is rated over 100,000 hours (for 350 mA), The optical system qualifies as IES full cutoff to restrict light trespass, glare and light pollution for neighborhood-friendly lighting.

CRI values are 70.

Quali-Guard® Finish

Fixture components are chemically pretreated through a multiple-stage washer, and finished with an electrostatically-applied, thermoset polyester powder coat textured paint with a 3 to 5 mils thickness. Finish is oven-baked at 400 °F for maximum adherence and finish hardness. Available in standard and custom colors.

Finish is guaranteed for five (5) years.

Post Top Mount

The PRE-2-L's contractor-friendly mounting hardware slips over 3" or 4" O.D. x 4" tall tenon utilizing stainless steel hardware.

Round Internal Tenon Adaptors (RITA) are recommended for a smooth-looking connection. Standard for 4" poles, custom size required for 3" or 5" poles.

Electrical Assembly

- The PRE-2-L is supplied with a high-performance driver available in 350, 530 or 700mA. The driver is integrally-located in the housing, and is operational from 120 V through 480 V, 50 Hz to 60 Hz input. Power factor is 90%.
- Rated for -40o to 50°C operation.
- 10 kV surge protector supplied as standard.

Warranty

- Five (5) year Limited Warranty on entire system, including finish. For full warranty information, please visit www.visionairelighting.com.

Options

- Button type photocell
 - 0-10v Dimming Driver
 - WattStopper FSP-211
 - Motion Sensor
 - Wireless Control
 - Illuminated Ring
- Please consult factory for detailed custom options.

Listings

- PRE-2-L is cUL listed
- DLC Listed
- IDA Certification
- IP66 Rated
- LM79 and LM80
- Powder Coated Tough™



DesignLights Consortium (DLC) qualified Product. Some configurations of this product family may not be DesignLights Consortium (DLC) listed, please refer to the DLC qualified products list to confirm listed configurations. <http://www.designlights.org/> 3000K must be selected for IDA certification.

PRE-2-L - Electrical Load (A)							
Ordering Nomenclature	System Watts	120V	208V	240V	277V	347V	480V
PRE-2-L-T5-48LC-3-4K	55	0.46	0.26	0.23	0.20	0.16	0.11
PRE-2-L-T5-48LC-5-4K	80	0.67	0.38	0.33	0.29	0.23	0.17
PRE-2-L-T5-48LC-7-4K	106	0.88	0.51	0.44	0.38	0.31	0.22
PRE-2-L-T5-64LC-3-4K	71	0.59	0.34	0.30	0.26	0.20	0.15
PRE-2-L-T5-64LC-5-4K	104	0.87	0.50	0.43	0.38	0.30	0.22
PRE-2-L-T5-64LC-7-4K	139	1.16	0.67	0.58	0.50	0.40	0.29
PRE-2-L-T5-80LC-3-4K	84	0.70	0.40	0.35	0.30	0.24	0.18
PRE-2-L-T5-80LC-5-4K	128	1.07	0.62	0.53	0.46	0.37	0.27
PRE-2-L-T5-80LC-7-4K	176	1.47	0.85	0.73	0.64	0.51	0.37
PRE-2-L-T5-96LC-3-4K	101	0.84	0.49	0.42	0.36	0.29	0.21
PRE-2-L-T5-96LC-5-4K	152	1.27	0.73	0.63	0.55	0.44	0.32
PRE-2-L-T5-96LC-7-4K	209	1.74	1.00	0.87	0.75	0.60	0.44

Photometric Optical Summary



EPA Data

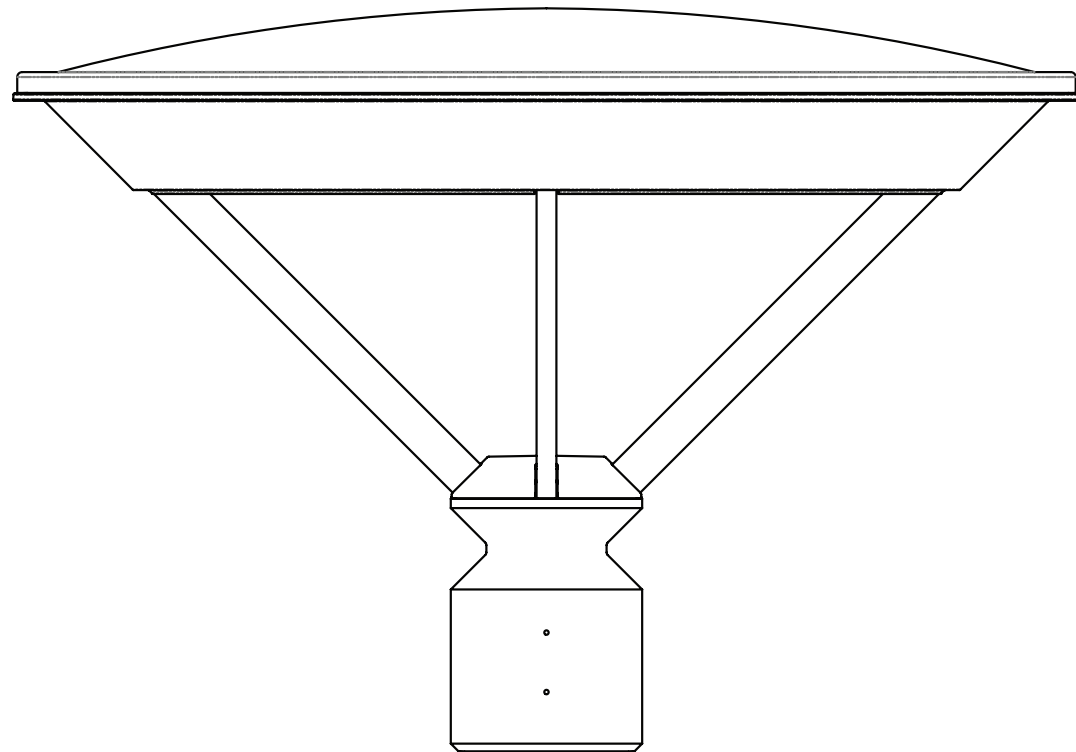
●
1.2

Dimensions

Width: PRE-2-L 27"

Height: PRE-2-L 19"

Weight: 56 LBS



Motion Sensor Default Setting									
Type	High Mode	Low Mode	Time Delay	Cut off Delay	Sensitivity	Hold Off Set Point	Photocell On/Off	Ramp up Time	Fade Down Time
WSC-Default	10V	1V	5 Min	1 Hour	Max	Disabled	Disabled	Disabled	Disabled
WSC Range	0-10V	0-9.8V	5-30 Min	1-5 Hours	Low, Med, Max	1-250FC	1-250FC	1-60 Dec	1-60 Dec

PRE-2-L 3K Lumen Data *Lumen chart updated 11.10.17

# LEDs	mA	Type 1	B	U	G	LPW	Type 2	B	U	G	LPW	Type 3	B	U	G	LPW	Type 4	B	U	G	LPW	Type 5	B	U	G	LPW	Type 5W	B	U	G	LPW	Watts
48	350	6916	3	0	3	126	6366	2	0	2	116	6311	1	0	2	115	6203	1	0	2	113	6821	3	0	1	124	6509	3	0	1	118	55
	530	9810	3	0	3	123	9030	2	0	3	113	8952	2	0	2	112	8799	2	0	2	110	9675	3	0	2	121	9233	3	0	2	115	80
	700	12431	3	0	3	117	11443	3	0	3	108	11344	2	0	2	107	11150	2	0	2	105	12260	3	0	2	116	11700	4	0	2	110	106
64	350	9000	3	0	3	127	8284	2	0	3	117	8213	2	0	2	116	8072	1	0	2	114	8876	3	0	1	125	8470	3	0	2	119	71
	530	12766	3	0	3	123	11750	3	0	3	113	11650	2	0	2	112	11450	2	0	2	110	12590	3	0	2	121	12015	4	0	2	116	104
	700	16122	4	0	4	116	14839	3	0	3	107	14712	2	0	2	106	14460	2	0	3	104	15900	4	0	2	114	15173	4	0	2	109	139
80	350	11149	3	0	3	133	10262	2	0	3	122	10174	2	0	2	121	10000	2	0	2	119	10996	3	0	2	131	10493	4	0	2	125	84
	530	15876	4	0	4	124	14614	3	0	3	114	14488	2	0	2	113	14240	2	0	3	111	15658	4	0	2	122	14943	4	0	2	117	128
	700	19801	4	0	4	113	18226	3	0	3	104	18069	3	0	3	103	17760	3	0	3	101	19528	4	0	2	111	18636	4	0	2	106	176
96	350	13212	3	0	3	131	12161	3	0	3	120	12057	2	0	2	119	11850	2	0	2	117	13030	3	0	2	129	12435	4	0	2	123	101
	530	18552	4	0	4	122	17077	3	0	3	112	16930	3	0	3	111	16640	2	0	3	109	18297	4	0	2	120	17461	4	0	2	115	152
	700	23380	4	0	4	112	21520	3	0	4	103	21335	3	0	3	102	20970	3	0	3	100	23058	4	0	2	110	22005	5	0	3	105	209

PRE-2-L 4K Lumen Data

48	350	7280	3	0	3	132	6701	2	0	2	122	6643	1	0	2	121	6529	1	0	2	119	7180	3	0	1	131	6852	3	0	1	125	55
	530	10326	3	0	3	129	9505	2	0	3	119	9424	2	0	2	118	9262	2	0	2	116	10184	3	0	2	127	9719	3	0	2	121	80
	700	13086	3	0	3	123	12045	3	0	3	114	11941	2	0	2	113	11737	2	0	2	111	12905	3	0	2	122	12316	4	0	2	116	106
64	350	9473	3	0	3	133	8720	2	0	3	123	8645	2	0	2	122	8497	2	0	2	120	9343	3	0	1	132	8916	3	0	2	126	71
	530	13438	3	0	3	129	12369	3	0	3	119	12263	2	0	2	118	12053	2	0	2	116	13253	3	0	2	127	12647	4	0	2	122	104
	700	16970	4	0	4	122	15620	3	0	3	112	15486	2	0	3	111	15221	2	0	3	110	16736	4	0	2	120	15972	4	0	2	115	139
80	350	11736	3	0	3	140	10803	3	0	3	129	10710	2	0	2	127	10526	2	0	2	125	11574	3	0	2	138	11046	4	0	2	131	84
	530	16712	4	0	4	131	15383	3	0	3	120	15251	2	0	2	119	14989	2	0	3	117	16482	4	0	2	129	15729	4	0	2	123	128
	700	20843	4	0	4	118	19185	3	0	4	109	19021	3	0	3	108	18695	3	0	3	106	20556	4	0	2	117	19617	4	0	2	111	176
96	350	13907	3	0	3	138	12801	3	0	3	127	12691	2	0	2	126	12474	2	0	2	124	13715	4	0	2	136	13089	4	0	2	130	101
	530	19529	4	0	4	128	17975	3	0	3	118	17821	3	0	3	117	17516	3	0	3	115	19260	4	0	2	127	18380	4	0	2	121	152
	700	24610	4	0	4	118	22653	3	0	4	108	22458	3	0	3	107	22074	3	0	4	106	24271	4	0	2	116	23163	5	0	3	111	209

PRE-2-L 5K Lumen Data

48	350	6986	3	0	3	127	6430	2	0	2	117	6375	1	0	2	116	6266	1	0	2	114	6889	3	0	1	125	6575	3	0	1	120	55
	530	9909	3	0	3	124	9121	2	0	3	114	9043	2	0	2	113	8888	2	0	2	111	9773	3	0	2	122	9326	3	0	2	117	80
	700	12557	3	0	3	118	11558	3	0	3	109	11459	2	0	2	108	11263	2	0	2	106	12384	3	0	2	117	11818	4	0	2	111	106
64	350	9090	3	0	3	128	8367	2	0	3	118	8296	2	0	2	117	8154	1	0	2	115	8965	3	0	1	126	8556	3	0	2	121	71
	530	12895	3	0	3	124	11869	3	0	3	114	11767	2	0	2	113	11566	2	0	2	111	12717	3	0	2	122	12136	4	0	2	117	104
	700	16284	4	0	4	117	14989	3	0	3	108	14861	2	0	2	107	14606	2	0	3	105	16060	4	0	2	116	15327	4	0	2	110	139
80	350	11262	3	0	3	134	10366	2	0	3	123	10277	2	0	2	122	10101	2	0	2	120	11107	3	0	2	132	10599	4	0	2	126	84
	530	16037	4	0	4	125	14761	3	0	3	115	14635	2	0	2	114	14384	2	0	3	112	15816	4	0	2	124	15094	4	0	2	118	128
	700	20001	4	0	4	114	18410	3	0	4	105	18252	3	0	3	104	17939	3	0	3	102	19725	4	0	2	112	18825	4	0	2	107	176
96	350	13345	3	0	3	132	12284	3	0	3	122	12178	2	0	2	121	11970	2	0	2	119	13161	3	0	2	130	12560	4	0	2	124	101
	530	18739	4	0	4	123	17249	3	0	3	113	17101	3	0	3	113	16808	3	0	3	111	18481	4	0	2	122	17637	4	0	2	116	152
	700	23616	4	0	4	113	21738	3	0	4	104	21551	3	0	3	103	21182	3	0	3	101	23291	4	0	2	111	22227	5	0	3	106	209

Visit www.visionairelighting.com for up-to-the-minute chart information.

PRE-2-L Serenity Lens LED Specifications



Project Name:

Catalog Number:

Type:

Contemporary design meets the new generation of LED green technology in this stunning luminaire, the **PRE-2-L Serenity Lens**. The PRE-2-L Serenity Lens Array series provides up to fifty percent energy savings over traditional HID light sources; and offers excellent beam control and LED life beyond 100,000 hours. The PRE-2-L Array is offered in five optical distributions.

The PRE-2-L Serenity Lens Arrays fully-sealed housing features an exceptionally well-designed thermal management system that provides superior heat dissipation.

The PRE-2-L Serenity Lens fixture is built with a cast aluminum housing, extruded aluminum arms and a spun aluminum, removable top.

The popular **PRE-2-L Serenity Lens** is the perfect compliment to any university campus, business park, or walkway project where contemporary, architectural design is desired.

Ordering Information

MODEL	OPTICS	LUMENS	CURRENT	KELVIN	VOLTAGE	MOUNTING	FINISH	OPTIONS	OPTIONS
PRE-2-L	T1	6L	3	3K	UNV	PT	BZ	LDL	PC-120
	T2	8L	350mA	3000K	120-277V	*Slips over 4" OD	Bronze	Lightly Diffused Lens	PC-208
	T3L	10L	5	4K	8	tenon X 4.5" tall as standard	BK	HDL	PC-240
	T4L	12L	7	5K	5		Black	Lightly Diffused Lens	PC-277
	T5LS	14L	700mA	5000K	480V		Smooth Black		Button Type Photocell
							SBK		WSC-8
							WH		Motion Sensor 8' Mounting Height
							SWH		WSC-20
							GP		Motion Sensor 9-20' Mounting Height
							GY		WSC-40
							SL		Motion Sensor 21-40' Mounting Height
							CC		*The WSC option will require (1) FSIR 100 remote for programming
									DIM
									0-10v Dimming Driver
									VWC
									Visionaire Wireless Controls *Consult Factory
									IR-(R, B, G)
									Illuminated Rings (Red, Blue, Green)

Features & Specifications

PRE-2-L Serenity Lens

Housing

The PRE-2-L Serenity Lens' housing is constructed from durable, corrosion-resistant, cast aluminum. The spun aluminum top cap is .080 gauge, and easily removable for service. Silicone gasketing is provided for complete weather and insect protection.

Thermal Management

The PRE-2-L Serenity Lens provides excellent overall thermal management by maximizing the efficiency of the heat sink in the fixture. This enables the Premier II to withstand higher ambient temperatures and higher drive currents without degrading LED life.

Optical System

The highest lumen output LEDs are utilized. High-performance acrylic optics feature industry leading Type I, II, III, IV, and VLS optical distributions. Acrylic optics are impact-resistant and rated to 94 percent translucence.

L70 life of our LEDs is rated over 100,000 hours (for 350 mA), The optical system qualifies as IES full cutoff to restrict light trespass, glare and light pollution for neighborhood-friendly lighting. CRI values are 70.

Quali-Guard® Finish

Fixture components are chemically pretreated through a multiple-stage washer, and finished with an electrostatically-applied, thermoset polyester powder coat textured paint with a 3 to 5 mils thickness. Finish is oven-baked at 400 °F for maximum adherence and finish hardness. Available in standard and custom colors. Finish is guaranteed for five (5) years.

Post Top Mount

The PRE-2-L Serenity Lens' contractor-friendly mounting hardware slips over 3" or 4" O.D. x 4" tall tenon utilizing stainless steel hardware. Round Internal Tenon Adaptors (RITA) are recommended for a smooth-looking connection. Standard for 4" poles, custom size required for 3" or 5" poles.

Electrical Assembly

The PRE-2-L Serenity Lens is supplied with a high-performance driver available in 350, 530 or 700mA. The driver is integrally-located in the housing, and is operational from 120 V through 480 V, 50 Hz to 60 Hz input. Power factor is 90%. Rated for -40o to 50°C operation. 10 kV surge protector supplied as standard.

Warranty

Five (5) year Limited Warranty on entire system, including finish. For full warranty information, please visit www.visionairelighting.com.

Options

- Button type photocell
 - 0-10v Dimming Driver
 - WattStopper FSP-211
 - Motion Sensor
 - Wireless Control
 - Illuminated Ring
- Please consult factory for detailed custom options.

Listings

- PRE-2-L Serenity Lens is cUL listed
- DLC Listed
- IDA Certification
- IP66 Rated
- LM79 and LM80
- Powder Coated Tough™

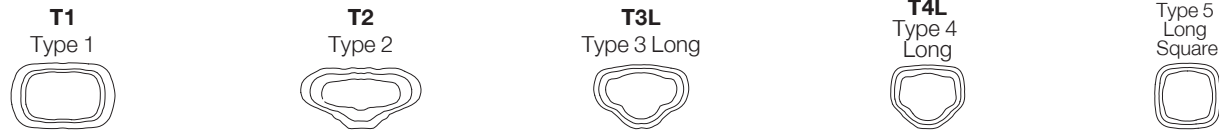


DesignLights Consortium (DLC) qualified Product. Some configurations of this product family may not be DesignLights Consortium (DLC) listed, please refer to the DLC qualified products list to confirm listed configurations. <http://www.designlights.org/> 3000K must be selected for IDA certification.

PRE-2-L Serenity Lens - Electrical Load (A)							
Ordering Nomenclature	System Watts	120V	208V	240V	277V	347V	480V
PRE-2-L-T5LS-6L	85	0.71	0.41	0.35	0.31	0.24	0.18
PRE-2-L-T5LS-8L	111	0.93	0.53	0.46	0.40	0.32	0.23
PRE-2-L-T5LS-10L	139	1.16	0.67	0.58	0.50	0.40	0.29
PRE-2-L-T5LS-12L	165	1.38	0.79	0.69	0.60	0.48	0.34
PRE-2-L-T5LS-14L	193	1.61	0.93	0.80	0.70	0.56	0.40

PRE-2-L Serenity Lens LED Specifications

Photometric Optical Summary



EPA Data

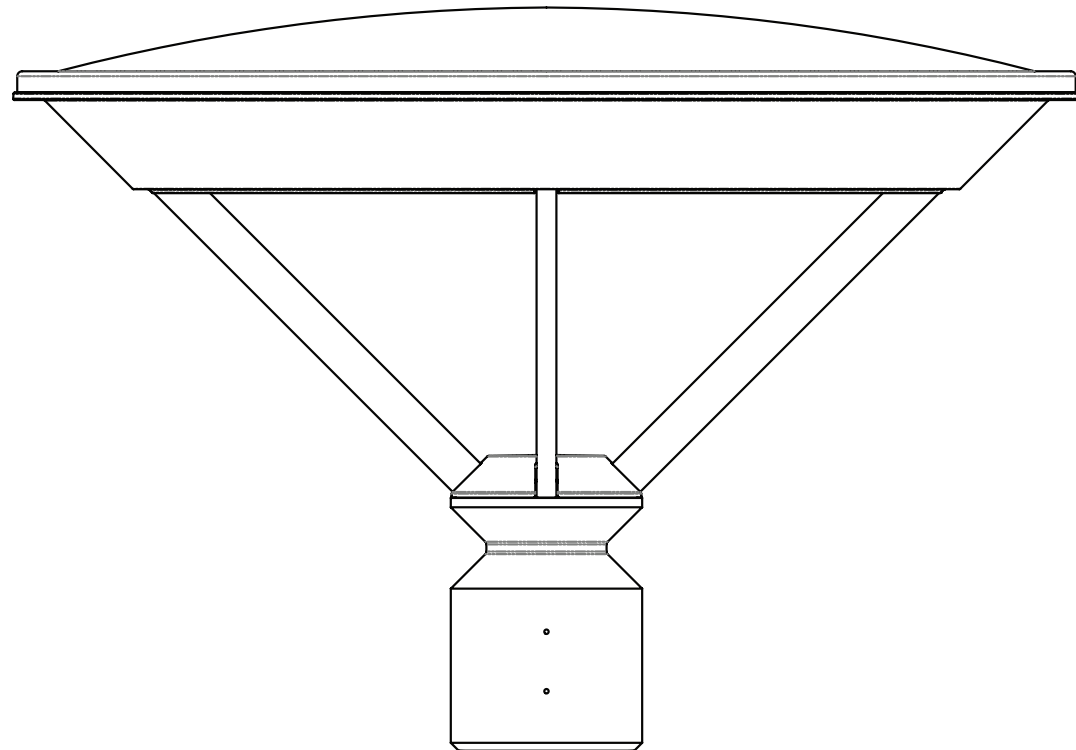
●
1.2

Dimensions

Width: PRE-2-L 27"

Height: PRE-2-L 19"

Weight: 56 LBS



Motion Sensor Default Setting									
Type	High Mode	Low Mode	Time Delay	Cut off Delay	Sensitivity	Hold Off Set Point	Photocell On/Off	Ramp up Time	Fade Down Time
WSC-Default	10V	1V	5 Min	1 Hour	Max	Disabled	Disabled	Disabled	Disabled
WSC Range	0-10V	0-9.8V	5-30 Min	1-5 Hours	Low, Med, Max	1-250FC	1-250FC	1-60 Dec	1-60 Dec

Premier-2-M Serenity Lens - LDL 3K Lumen Data						
Lumens	T1	T2	T3L	T4L	T5LS	Watts
6L	7449	7663	6161	6353	7086	85
8L	9600	9876	7941	8187	9132	111
10L	11986	12329	9914	10221	11401	139
12L	14076	14479	11642	12004	13389	165
14L	15970	16428	13209	13619	15191	193

Premier-2-M Serenity Lens - LDL 4K Lumen Data						
Lumens	T1	T2	T3L	T4L	T5LS	Watts
6L	7862	8087	6503	6705	7479	85
8L	10133	10423	8381	8641	9638	111
10L	12650	13012	10463	10788	12033	139
12L	14856	15281	12287	12669	14131	165
14L	16855	17338	13941	14374	16033	193

Premier-2-M Serenity Lens - LDL 5K Lumen Data						
Lumens	T1	T2	T3L	T4L	T5LS	Watts
6L	7652	7871	6329	6526	7279	85
8L	9862	10145	8157	8410	9381	111
10L	12312	12665	10184	10500	11712	139
12L	14459	14873	11959	12330	13754	165
14L	16405	16875	13569	13990	15605	193

Premier-2-M Serenity Lens - LDL 3K Lumen Per Watt Data						
Lumens	T1	T2	T3L	T4L	T5LS	Watts
6L	88	90	72	75	83	85
8L	87	89	72	74	83	111
10L	86	89	71	74	82	139
12L	85	88	71	73	81	165
14L	83	85	68	70	79	193

Premier-2-M Serenity Lens - LDL 4K Lumen Per Watt Data						
Lumens	T1	T2	T3L	T4L	T5LS	Watts
6L	92	95	76	79	88	85
8L	92	94	76	78	87	111
10L	91	94	75	78	87	139
12L	90	93	75	77	86	165
14L	87	90	72	74	83	193

Premier-2-M Serenity Lens - LDL 5K Lumen Per Watt Data						
Lumens	T1	T2	T3L	T4L	T5LS	Watts
6L	90	92	74	77	86	85
8L	89	92	74	76	85	111
10L	89	91	73	76	84	139
12L	88	90	73	75	84	165
14L	85	87	70	72	81	193

Premier-2-M Serenity Lens - LDL 3K BUG Data												
Lumens	T1		T2		T3L		T4L		T5LS		Watts	
	B	U	G	B	U	G	B	U	G			
6L	3	3	3	3	3	2	3	2	2	3	2	85
8L	3	3	3	3	3	3	3	3	3	3	2	111
10L	3	3	3	3	3	3	3	3	3	3	2	139
12L	2	3	2	2	3	2	2	3	2	3	1	165
14L	3	3	3	2	3	2	2	3	2	3	2	193

Premier-2-M Serenity Lens - LDL 4K BUG Data												
Lumens	T1		T2		T3L		T4L		T5LS		Watts	
	B	U	G	B	U	G	B	U	G			
6L	3	3	3	3	3	3	3	3	3	3	2	85
8L	3	3	3	3	3	3	3	3	3	3	2	111
10L	3	3	3	3	3	3	3	3	3	3	2	139
12L	2	3	2	2	3	2	2	3	2	3	1	165
14L	3	3	3	2	3	2	2	3	2	3	2	193

Premier-2-M Serenity Lens - LDL 5K BUG Data												
Lumens	T1		T2		T3L		T4L		T5LS		Watts	
	B	U	G	B	U	G	B	U	G			
6L	3	3	3	3	3	2	3	2	2	3	2	85
8L	3	3	3	3	3	3	3	3	3	3	2	111
10L	3	3	3	3	3	3	3	3	3	3	2	139
12L	2	3	2	2	3	2	2	3	2	3	1	165
14L	3	3	3	2	3	2	2	3	2	3	2	193

Premier-2-M - Serenity Lens HDL 3K Lumen Data						
Lumens	T1	T2	T3L	T4L	T5LS	Watts
6L	6934	6886	5569	6038	6246	85
8L	8936	8874	7178	7782	8050	111
10L	11156	11079	8961	9716	10050	139
12L	13102	13011	10524	11410	11803	165
14L	14865	14762	11940	12945	13391	193

Premier-2-M - Serenity Lens HDL 4K Lumen Data						
Lumens	T1	T2	T3L	T4L	T5LS	Watts
6L	6906	6858	5547	6014	6221	85
8L	8901	8839	7149	7751	8018	111
10L	11112	11035	8926	9677	10010	139
12L	13050	12959	10482	11364	11756	165
14L	14806	14704	11893	12894	13338	193

Premier-2-M - Serenity Lens HDL 5K Lumen Data						
Lumens	T1	T2	T3L	T4L	T5LS	Watts
6L	6866	6819	5515	5979	6185	85
8L	8849	8788	7108	7706	7972	111
10L	11047	10971	8874	9621	9952	139
12L	12974	12884	10421	11298	11687	165
14L	14720	14618	11824	12819	13260	193

Premier-2-M - Serenity Lens HDL 3K Lumen Per Watt Data						
Lumens	T1	T2	T3L	T4L	T5LS	Watts
6L	81	81	65	71	73	85
8L	81	80	65	70	73	111
10L	80	80	65	70	72	139
12L	80	79	64	69	72	165
14L	77	76	62	67	69	193

Premier-2-M - Serenity Lens HDL 4K Lumen Per Watt Data						
Lumens	T1	T2	T3L	T4L	T5LS	Watts
6L	81	81	65	71	73	85
8L	81	80	65	70	73	111
10L	80	80	64	70	72	139
12L	79	79	64	69	71	165
14L	77	76	62	67	69	193

Premier-2-M - Serenity Lens HDL 5K Lumen Per Watt Data						
Lumens	T1	T2	T3L	T4L	T5LS	Watts
6L	81	80	65	70	73	85
8L	80	80	64	70	72	111
10L	80	79	64	69	72	139
12L	79	78	63	69	71	165
14L	76	76	61	66	69	193

Premier-2-M Serenity Lens - HDL 3K BUG Data														
Lumens	T1		T2		T3L		T4L		T5LS		Watts			
	B	U	G	B	U	G	B	U	G					
6L	2	3	1	2	3	2	2	3	2	2	3	1	85	
8L	3	3	2	3	3	2	2	3	2	2	3	2	111	
10L	3	3	2	3	3	2	2	3	2	2	3	2	139	
12L	3	3	2	3	3	3	3	3	3	3	2	3	2	165
14L	3	3	2	3	3	3	3	3	3	3	3	3	2	193

Premier-2-M Serenity Lens - HDL 4K BUG Data														
Lumens	T1		T2		T3L		T4L		T5LS		Watts			
	B	U	G	B	U	G	B	U	G					
6L	2	3	1	2	3	2	2	3	2	2	3	1	85	
8L	3	3	1	2	3	2	2	3	2	2	3	2	111	
10L	3	3	2	3	3	2	2	3	2	2	3	2	139	
12L	3	3	2	3	3	3	3	3	3	3	2	3	2	165
14L	3	3	2	3	3	3	3	3	3	3	3	3	2	193

Premier-2-M Serenity Lens - HDL 5K BUG Data														
Lumens	T1		T2		T3L		T4L		T5LS		Watts			
	B	U	G	B	U	G	B	U	G					
6L	2	3	1	2	3	2	2	3	2	2	3	1	85	
8L	2	3	1	2	3	2	2	3	2	2	3	2	111	
10L	3	3	2	3	3	2	2	3	2	2	3	2	139	
12L	3	3	2	3	3	3	3	3	3	3	2	3	2	165
14L	3	3	2	3	3	3	3	3	3	3	3	3	2	193

PRE-2-M LED Specifications



Project Name:

Catalog Number:

Type:

Contemporary design meets the new generation of LED green technology in this stunning luminaire, the **PRE-2-M**. The PRE-2-M series provides up to fifty percent energy savings over traditional HID light sources; and offers excellent beam control and LED life beyond 100,000 hours for 350 milliamp systems. The PRE-2-M is offered in six optical distributions.

The PRE-2-M's fully-sealed housing features an exceptionally well-designed thermal management system that provides superior heat dissipation.

The PRE-2-M fixture is built with a cast aluminum housing, extruded aluminum arms and a spun aluminum, removable top.

The popular **PRE-2-M** is the perfect compliment to any university campus, business park, or walkway project where contemporary, architectural design is desired.

Ordering Information

MODEL	OPTICS	SOURCE	CURRENT	KELVIN	VOLTAGE	MOUNTING	FINISH	OPTIONS	OPTIONS	
PRE-2-M	T1	16LC	3	3K	UNV	PT Post Top *Slips over 3" OD tenon X 4.5" tall as standard	BZ Bronze	PC-120	DIM 0-10v Dimming Driver	
	T2	32LC	350mA	3000K	120-277V		BK Black	PC-208	VWC Visionaire Wireless Controls *Consult Factory	
	T3	48LC	530mA	4000K	8		347V	SBK Smooth Black	PC-240	IR-(R, B, G) Illuminated Rings (Red, Blue, Green)
	T4		700mA	5000K	5		480V	WH White	PC-277 Button Type Photocell	PER 3, 5, or 7 Pin Photo Receptacle w/shorting cap
	T5							SWH Smooth White	WSC-8 Motion Sensor 8' Mounting Height	
	T5W							GP Graphite	WSC-20 Motion Sensor 9-20' Mounting Height	
T5WR						GY Grey	WSC-40 Motion Sensor 21-40' Mounting Height This option will require (1) FSIR 100 remote for programming			
						SL Silver Metallic				
						CC Custom Color				

Features & Specifications

Housing

The PRE-2-M's housing is constructed from durable, corrosion-resistant, cast aluminum. The spun aluminum top cap is .080 gauge, and easily removable for service. Silicone gasketing is provided for complete weather and insect protection.

Thermal Management

The PRE-2-M provides excellent overall thermal management by maximizing the efficiency of the heat sink in the fixture. This enables the PRE-2-M to withstand higher ambient temperatures and higher drive currents without degrading LED life.

Optical System

- The highest lumen output LEDs are utilized. High-performance acrylic optics feature industry leading Type 1, 2, 3, 4, 5, 5W and 5WR optical distributions. Acrylic optics are impact-resistant and rated to 94 percent translucence.
- L70 life of our LEDs is rated over 100,000 hours (for 350 mA), The optical system qualifies as IES full cutoff to restrict light trespass, glare and light pollution for neighborhood-friendly lighting. CRI values are 70.

Quali-Guard® Finish

Fixture components are chemically pretreated through a multiple-stage washer, and finished with an electrostatically-applied, thermoset polyester powder coat textured paint with a 3 to 5 mils thickness.

- Finish is oven-baked at 400 °F for maximum adherence and finish hardness.
- Available in standard and custom colors.
- Finish is guaranteed for five (5) years.

Post Top Mount

The PRE-2-M contractor-friendly mounting hardware slips over 3" OD tenon X 4.5" tall as standard utilizing stainless steel hardware.

Electrical Assembly

- The PRE-2-M is supplied with a high-performance driver available in 350, 530 or 700. The driver is integrally-located in the housing, and is operational from 120 V through 480 V, 50 Hz to 60 Hz input.
- Power factor is 90%.
- Rated for -40° to 50° C operation.
- 10 kV surge protector supplied as standard.

Warranty

Five (5) year Limited Warranty on entire system, including finish. For full warranty information, please visit www.visionairelighting.com.

Options

- Button type photocell
 - 0-10v Dimming Driver
 - WattStopper FSP-211
 - Motion Sensor
 - Wireless Control
 - Illuminated Rings
 - Photo Receptacle
- Please consult factory for detailed custom options.

Listings

- PRE-2-M is cUL listed
- DLC Listed
- IDA Certification
- IP66 Rated
- LM79 and LM80
- Powder Coated Tough™

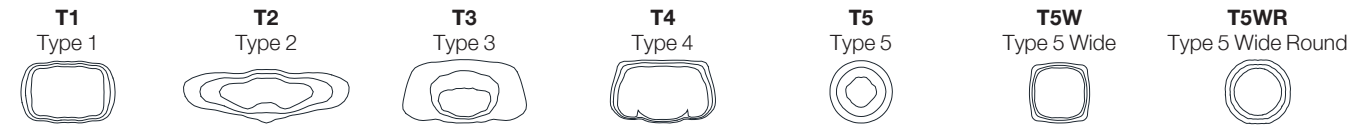


DesignLights Consortium (DLC) qualified Product. Some configurations of this product family may not be DesignLights Consortium (DLC) listed, please refer to the DLC qualified products list to confirm listed configurations. <http://www.designlights.org/> 3000K must be selected for IDA certification.

PRE-2-M - Electrical Load (A)							
Ordering Nomenclature	System Watts	120V	208V	240V	277V	347V	480V
PRE-2-M-T5-16LC-3-4K	18	0.15	0.09	0.08	0.06	0.05	0.04
PRE-2-M-T5-16LC-5-4K	26	0.22	0.13	0.11	0.09	0.07	0.05
PRE-2-M-T5-16LC-7-4K	39	0.33	0.19	0.16	0.14	0.11	0.08
PRE-2-M-T5-32LC-3-4K	35	0.29	0.17	0.15	0.13	0.10	0.07
PRE-2-M-T5-32LC-5-4K	56	0.47	0.27	0.23	0.20	0.16	0.12
PRE-2-M-T5-32LC-7-4K	73	0.61	0.35	0.30	0.26	0.21	0.15
PRE-2-M-T5-48LC-3-4K	55	0.46	0.26	0.23	0.20	0.16	0.11
PRE-2-M-T5-48LC-5-4K	80	0.67	0.38	0.33	0.29	0.23	0.17
PRE-2-M-T5-48LC-7-4K	106	0.88	0.51	0.44	0.38	0.31	0.22

PRE-2-M LED Specifications

Photometric Optical Summary

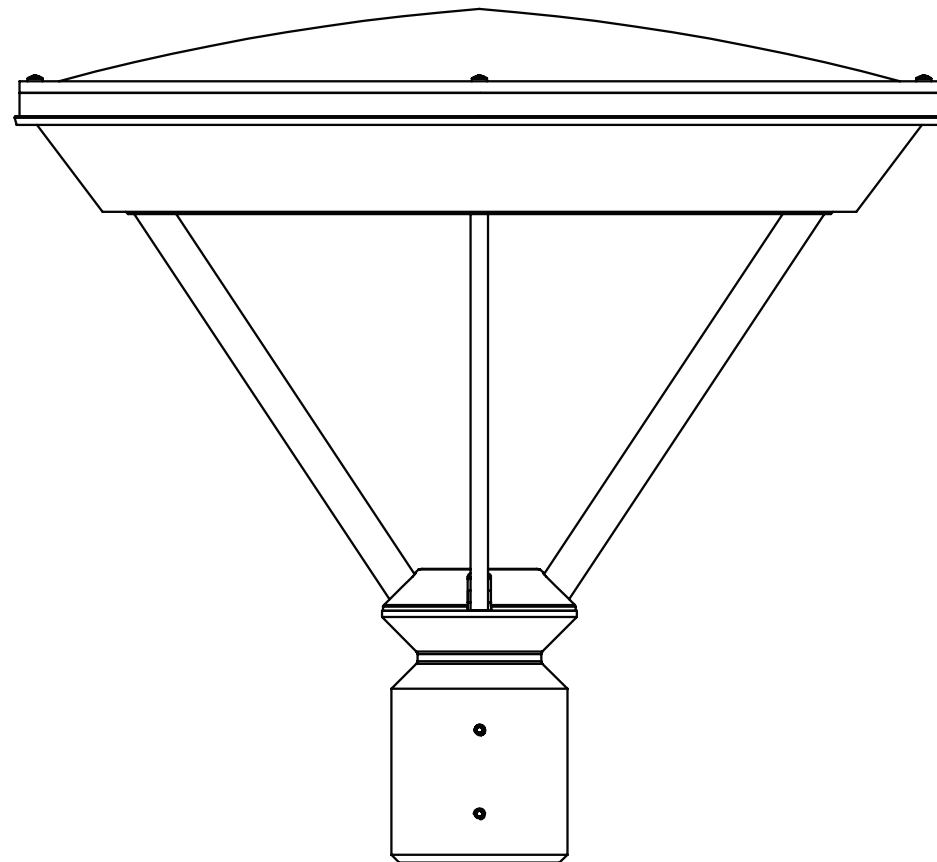


EPA Data

.88

Dimensions

Width:	PRE-2-M 20"
Height:	PRE-2-M 18.4"
Weight:	37 LBS



Motion Sensor Default Setting									
Type	High Mode	Low Mode	Time Delay	Cut off Delay	Sensitivity	Hold Off Set Point	Photocell On/Off	Ramp up Time	Fade Down Time
WSC-Default	10V	1V	5 Min	1 Hour	Max	Disabled	Disabled	Disabled	Disabled
WSC Range	0-10V	0-9.8V	5-30 Min	1-5 Hours	Low, Med, Max	1-250FC	1-250FC	1-60 Dec	1-60 Dec

PRE-2-M 3K Lumen Data *Lumen chart updated 08.20.19																
# LEDs	mA	T1		T2		T3		T4		T5		T5W		T5WR		Watts
		Lumens	LPW	Lumens	LPW	Lumens	LPW	Lumens	LPW	Lumens	LPW	Lumens	LPW	Lumens	LPW	
16	350	2320	129	2136	119	2117	118	2081	116	2288	127	2184	121	2202	123	18
	530	3181	122	2928	113	2903	112	2853	110	3137	121	2994	115	3018	117	26
	700	4417	113	4066	104	4031	103	3962	102	4356	112	4157	107	4192	108	39
32	350	4531	129	4171	119	4135	118	4064	116	4469	128	4265	122	4300	123	35
	530	6610	118	6085	109	6032	108	5929	106	6519	116	6222	111	6273	113	56
	700	8423	115	7753	106	7687	105	7555	103	8307	114	7928	109	7993	110	73
48	350	6916	126	6366	116	6311	115	6203	113	6821	124	6509	118	6563	120	55
	530	9810	123	9030	113	8952	112	8799	110	9675	121	9233	115	9309	117	80
	700	12431	117	11443	108	11344	107	11150	105	12260	116	11700	110	11797	112	106
PRE-2-M 4K Lumen Data																
16	350	2344	130	2157	120	2139	119	2102	117	2311	128	2206	123	2207	123	18
	530	3213	124	2957	114	2932	113	2979	115	3169	122	3024	116	3026	117	26
	700	4462	114	4107	105	4072	104	4002	103	4400	113	4199	108	4202	108	39
32	350	4577	131	4213	120	4177	119	4105	117	4514	129	4308	123	4310	124	35
	530	6677	119	6146	110	6093	109	5989	107	6585	118	6284	112	6289	113	56
	700	8508	117	7832	107	7764	106	7631	105	8391	115	8008	110	8013	110	73
48	350	6986	127	6430	117	6375	116	6266	114	6889	125	6575	120	6579	120	55
	530	9909	124	9121	114	9043	113	8888	111	9773	122	9326	117	9333	117	80
	700	12557	118	11558	109	11459	108	11263	106	12384	117	11818	111	11826	112	106
PRE-2-M 5K Lumen Data																
16	350	2442	136	2248	125	2229	124	2191	122	2409	134	2299	128	2318	129	18
	530	3348	129	3082	119	3055	118	3003	116	3302	127	3151	121	3177	123	26
	700	4650	119	4280	110	4243	109	4171	107	4586	118	4376	112	4412	114	39
32	350	4769	136	4390	125	4352	124	4278	122	4704	134	4489	128	4526	130	35
	530	6958	124	6405	114	6350	113	6241	111	6862	123	6549	117	6603	118	56
	700	8866	121	8161	112	8091	111	7953	109	8744	120	8345	114	8414	116	73
48	350	7280	132	6701	122	6643	121	6529	119	7180	131	6852	125	6908	126	55
	530	10326	129	9505	119	9424	118	9262	116	10184	127	9719	121	9799	123	80
	700	13086	123	12045	114	11941	113	11737	111	12905	122	12316	116	12418	118	106

Visit www.VisionaireLighting.com for up-to-the-minute chart information.

# LEDs	mA	T1			T2			T3			T4			T5			T5W			T5WR			Watts
		B	U	G	B	U	G	B	U	G	B	U	G	B	U	G	B	U	G	B	U	G	
16	350	1	0	1	1	0	1	1	0	1	1	0	1	1	0	1	2	0	1	2	0	1	18
	530	2	0	2	1	0	1	1	0	1	1	0	1	2	0	1	2	0	1	2	0	1	26
	700	2	0	2	1	0	2	1	0	1	1	0	1	2	0	1	3	0	1	3	0	1	39
32	350	2	0	2	1	0	2	1	0	1	1	0	1	2	0	1	3	0	1	3	0	1	35
	530	3	0	3	2	0	2	1	0	2	1	0	2	3	0	1	3	0	1	3	0	2	56
	700	3	0	3	2	0	2	1	0	2	1	0	2	3	0	1	3	0	2	3	0	2	73
48	350	3	0	3	2	0	2	1	0	2	1	0	2	3	0	1	3	0	1	3	0	2	55
	530	3	0	3	2	0	3	2	0	2	2	0	2	3	0	2	3	0	2	4	0	2	80
	700	3	0	3	3	0	3	2	0	2	2	0	2	3	0	2	4	0	2	4	0	2	106
PRE-2-M 4K Bug Data																							
16	350	1	0	1	1	0	1	1	0	1	1	0	1	1	0	1	2	0	1	2	0	1	18
	530	2	0	2	1	0	1	1	0	1	1	0	1	2	0	1	2	0	1	2	0	1	26
	700	2	0	2	1	0	2	1	0	1	1	0	1	2	0	1	3	0	1	3	0	1	39
32	350	2	0	2	1	0	2	1	0	1	1	0	1	2	0	1	3	0	1	3	0	1	35
	530	3	0	3	2	0	2	1	0	2	1	0	2	3	0	1	3	0	1	3	0	2	56
	700	3	0	3	2	0	2	1	0	2	1	0	2	3	0	1	3	0	2	3	0	2	73
48	350	3	0	3	2	0	2	1	0	2	1	0	2	3	0	1	3	0	1	3	0	2	55
	530	3	0	3	2	0	3	2	0	2	2	0	2	3	0	2	3	0	2	4	0	2	80
	700	3	0	3	3	0	3	2	0	2	2	0	2	3	0	2	4	0	2	4	0	2	106
PRE-2-M 5K BUG Data																							
16	350	1	0	1	1	0	1	1	0	1	1	0	1	1	0	1	2	0	1	2	0	1	18
	530	2	0	2	1	0	1	1	0	1	1	0	1	2	0	1	2	0	1	2	0	1	26
	700	2	0	2	1	0	2	1	0	1	1	0	1	2	0	1	3	0	1	3	0	1	39
32	350	2	0	2	1	0	2	1	0	1	1	0	1	2	0	1	3	0	1	3	0	1	35
	530	3	0	3	2	0	2	1	0	2	1	0	2	3	0	1	3	0	1	3	0	2	56
	700	3	0	3	2	0	2	2	0	2	1	0	2	3	0	1	3	0	2	3	0	2	73
48	350	3	0	3	2	0	2	1	0	2	1	0	2	3	0	1	3	0	1	3	0	2	55
	530	3	0	3	2	0	3	2	0	2	2	0	2	3	0	2	3	0	2	4	0	2	80
	700	3	0	3	3	0	3	2	0	2	2	0	2	3	0	2	4	0	2	4	0	2	106

PRE-2-M Serenity Lens LED Specifications



Project Name:

Catalog Number:

Type:

Contemporary design meets the new generation of LED green technology in this stunning luminaire, the **PRE-2-M Serenity Lens**. The PRE-2-M Serenity Lens Array series provides up to fifty percent energy savings over traditional HID light sources; and offers excellent beam control and LED life beyond 100,000 hours. The PRE-2-M Array is offered in five optical distributions.

The PRE-2-M Serenity Lens Arrays fully-sealed housing features an exceptionally well-designed thermal management system that provides superior heat dissipation.

The PRE-2-M Serenity Lens fixture is built with a cast aluminum housing, extruded aluminum arms and a spun aluminum, removable top.

The popular **PRE-2-M Serenity Lens** is the perfect compliment to any university campus, business park, or walkway project where contemporary, architectural design is desired.

Ordering Information

MODEL	OPTICS	LUMENS	CURRENT	KELVIN	VOLTAGE	MOUNTING	FINISH	SERENITY LENS	OPTIONS	OPTIONS
PRE-2-M	T1	2L	3	3K	UNV	PT	BZ	LDL	PC-120	DIM
	T2	4L	350mA	3000K	120-277V	Post Top *Slips over 3" OD tenon X 4.5" tall as standard	Bronze	Lightly Diffused Lens	PC-208	0-10v Dimming Driver
	T3L	6L	5	4K	8		Black	HDL	PC-240	
	T4L	8L	530mA	4000K	347V			Lightly Diffused Lens	PC-277	Button Type Photocell
	T5LS		7	5K	5		Smooth Black		WSC-8	VWC
			700mA	5000K	480V				Motion Sensor 8' Mounting Height	Visionaire Wireless Controls *Consult Factory
							WH		WSC-20	IR-(R, B, G)
							White		Motion Sensor 9-20' Mounting Height	Illuminated Rings (Red, Blue, Green)
							SWH			PER
							Smooth White			3, 5, or 7 Pin Photo Receptacle w/shorting cap
							GP		WSC-40	
							Graphite		Motion Sensor 21-40' Mounting Height the WSC option will require (1) FSIR 100 remote for programming	
							GY			
							Grey			
							SL			
							Silver Metallic			
							CC			
							Custom Color			

Features & Specifications

PRE-2-M Serenity Lens

Housing

The PRE-2-M Serenity Lens' housing is constructed from durable, corrosion-resistant, cast aluminum. The spun aluminum top cap is .080 gauge, and easily removable for service. Silicone gasketing is provided for complete weather and insect protection.

Thermal Management

The PRE-2-M Serenity Lens provides excellent overall thermal management by maximizing the efficiency of the heat sink in the fixture. This enables the PRE-2-M Serenity Lens to withstand higher ambient temperatures and higher drive currents without degrading LED life.

Optical System

- The highest lumen output LEDs are utilized. High-performance acrylic optics feature industry leading Type 1, 2, 3L, 4L, and 5LS optical distributions. Acrylic optics are impact-resistant and rated to 94 percent translucence.
- L70 life of our LEDs is rated over 100,000 hours (for 350 mA), The optical system qualifies as IES full cutoff to restrict light trespass, glare and light pollution for neighborhood-friendly lighting. CRI values are 70.

Quali-Guard® Finish

Fixture components are chemically pretreated through a multiple-stage washer, and finished with an electrostatically-applied, thermoset polyester powder coat textured paint with a 3 to 5 mils thickness.

- Finish is oven-baked at 400 °F for maximum adherence and finish hardness.
- Available in standard and custom colors.
- Finish is guaranteed for five (5) years.

Post Top Mount

The PRE-2-M Serenity Lens contractor-friendly mounting hardware slips over 3" OD tenon X 4.5" tall as standard utilizing stainless steel hardware.

Electrical Assembly

- The PRE-2-M Serenity Lens is supplied with a high-performance driver available in 350, 530 or 700. The driver is integrally-located in the housing, and is operational from 120 V through 480 V, 50 Hz to 60 Hz input.
- Power factor is 90%.
- Rated for -40o to 50° C operation.
- 10 kV surge protector supplied as standard.

Warranty

Five (5) year Limited Warranty on entire system, including finish. For full warranty information, please visit www.visionairelighting.com.

Options

- Button type photocell
- 0-10v Dimming Driver
- WattStopper FSP-211
- Motion Sensor
- Wireless Control
- Illuminated Rings
- Photo Receptacle

Please consult factory for detailed custom options.

Listings

- PRE-2-M Serenity Lens is cUL listed
- DLC Listed
- IDA Certification
- IP66 Rated
- LM79 and LM80
- Powder Coated ToughTM

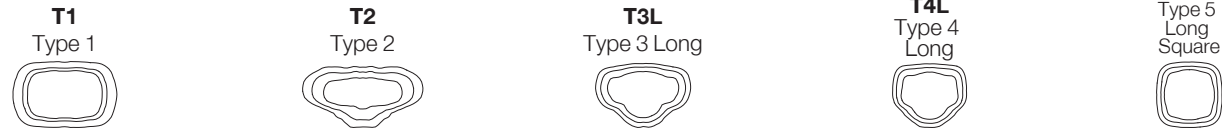


DesignLights Consortium (DLC) qualified Product. Some configurations of this product family may not be DesignLights Consortium (DLC) listed, please refer to the DLC qualified products list to confirm listed configurations. <http://www.designlights.org/>
3000K must be selected for IDA certification.

PRE-2-M Serenity Lens - Electrical Load (A)							
Ordering Nomenclature	System Watts	120V	208V	240V	277V	347V	480V
PRE-2-M-T5LS-2L	22	0.18	0.11	0.09	0.08	0.06	0.05
PRE-2-M-T5LS-4L	43	0.36	0.21	0.18	0.16	0.12	0.09
PRE-2-M-T5LS-6L	70	0.58	0.34	0.29	0.25	0.20	0.15
PRE-2-M-T5LS-8L	97	0.81	0.47	0.40	0.35	0.28	0.20

PRE-2-M Serenity Lens LED Specifications

Photometric Optical Summary

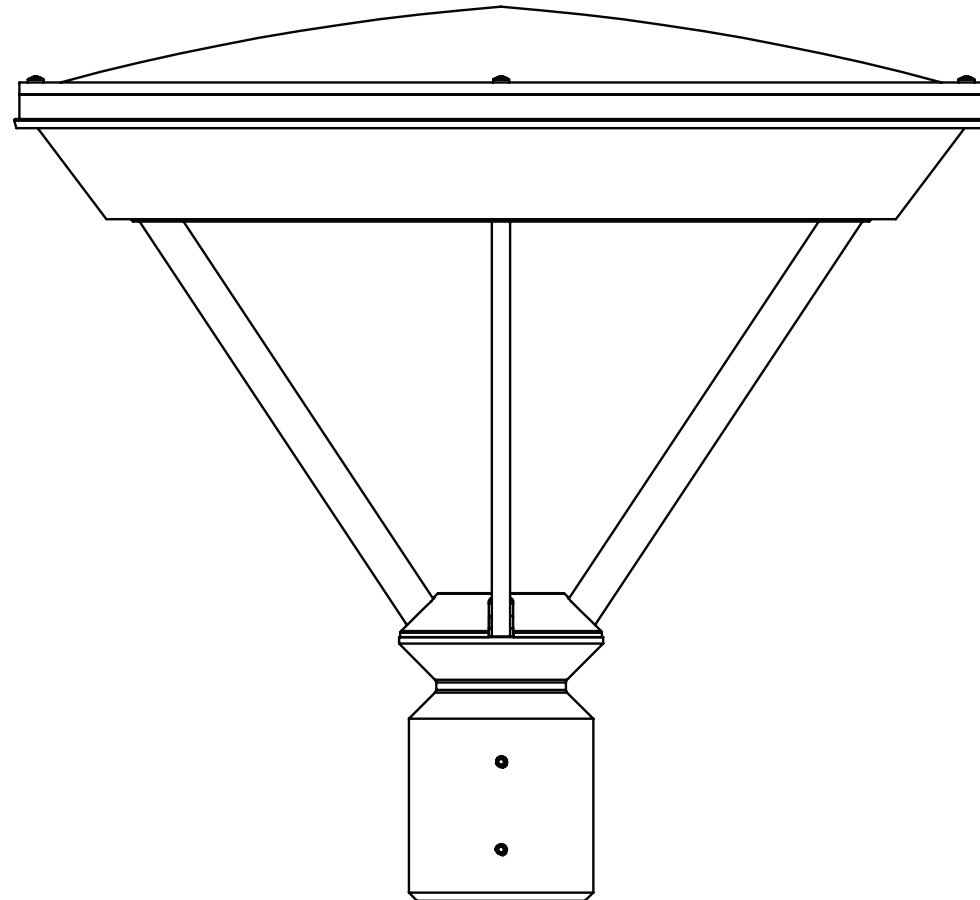


EPA Data

.88

Dimensions

Width:	PRE-2-M 20"
Height:	PRE-2-M 18.4"
Weight:	37 LBS



Motion Sensor Default Setting									
Type	High Mode	Low Mode	Time Delay	Cut off Delay	Sensitivity	Hold Off Set Point	Photocell On/Off	Ramp up Time	Fade Down Time
WSC-Default	10V	1V	5 Min	1 Hour	Max	Disabled	Disabled	Disabled	Disabled
WSC Range	0-10V	0-9.8V	5-30 Min	1-5 Hours	Low, Med, Max	1-250FC	1-250FC	1-60 Dec	1-60 Dec

Premier-2-M Serenity Lens - LDL 3K Lumen Data							
Current	Lumens	T1	T2	T3L	T4L	T5LS	Watts
150	2L	2012	2041	1849	1758	1655	22
300	4L	4024	4081	3698	3516	3310	43
500	6L	6611	6704	6075	5776	5437	70
700	8L	9051	9179	8318	7909	7444	97

Premier-2-M Serenity Lens - LDL 4K Lumen Data							
Current	Lumens	T1	T2	T3L	T4L	T5LS	Watts
150	2L	2169	2200	1993	1895	1784	22
300	4L	4338	4399	3986	3790	3568	43
500	6L	7126	7227	6548	6227	5861	70
700	8L	9757	9895	8966	8525	8025	97

Premier-2-M Serenity Lens - LDL 4K Lumen Data							
Current	Lumens	T1	T2	T3L	T4L	T5LS	Watts
150	2L	2057	2086	1891	1798	1692	22
300	4L	4115	4173	3781	3595	3384	43
500	6L	6759	6855	6211	5906	5559	70
700	8L	9255	9385	8505	8087	7612	97

Premier-2-M Serenity Lens - LDL 3K Lumen Per Watt Data							
Current	Lumens	T1	T2	T3L	T4L	T5LS	Watts
150	2L	91	93	84	80	75	22
300	4L	94	95	86	82	77	43
500	6L	95	96	87	83	78	70
700	8L	93	95	86	82	77	97

Premier-2-M Serenity Lens - LDL 4K Lumen Per Watt Data							
Current	Lumens	T1	T2	T3L	T4L	T5LS	Watts
150	2L	99	100	91	86	81	22
300	4L	101	102	93	88	83	43
500	6L	102	104	94	89	84	70
700	8L	101	102	93	88	83	97

Premier-2-M Serenity Lens - LDL 4K Lumen Per Watt Data							
Current	Lumens	T1	T2	T3L	T4L	T5LS	Watts
150	2L	94	95	86	82	77	22
300	4L	96	97	88	84	79	43
500	6L	97	98	89	85	80	70
700	8L	96	97	88	83	79	97

Premier-2-M Serenity Lens - LDL 3K BUG Data														
Current	Lumens	T1			T2			T5LS			Watts			
		B	U	G	B	U	G	B	U	G				
150	2L	1	2	1	1	2	1	1	2	1	1	2	1	22
300	4L	2	3	1	1	3	1	1	3	1	1	3	1	43
500	6L	2	3	2	2	3	2	2	3	1	2	3	1	70
700	8L	3	3	3	2	3	2	2	3	2	2	3	1	97

Premier-2-M Serenity Lens - LDL 4K BUG Data														
Current	Lumens	T1			T2			T5LS			Watts			
		B	U	G	B	U	G	B	U	G				
150	2L	1	2	1	1	2	1	1	2	1	1	2	1	22
300	4L	2	3	1	1	3	1	1	3	1	1	3	1	43
500	6L	2	3	2	2	3	2	2	3	2	2	3	1	70
700	8L	3	3	3	2	3	2	2	3	2	2	3	1	97

Premier-2-M Serenity Lens - LDL 5K BUG Data														
Current	Lumens	T1			T2			T5LS			Watts			
		B	U	G	B	U	G	B	U	G				
150	2L	1	2	1	1	2	1	1	2	1	1	2	1	22
300	4L	2	3	1	1	3	1	1	3	1	1	3	1	43
500	6L	2	3	2	2	3	2	2	3	2	2	3	1	70
700	8L	3	3	3	2	3	2	2	3	2	2	3	1	97

Premier-2-M Serenity Lens - HDL 3K Lumen Data							
Current	Lumens	T1	T2	T3L	T4L	T5LS	Watts
150	2L	1805	1848	1676	1678	1779	22
300	4L	3611	3696	3352	3356	3558	43
500	6L	5932	6072	5506	5514	5845	70
700	8L	8122	8313	7539	7549	8003	97

Premier-2-M Serenity Lens - HDL 4K Lumen Data							
Current	Lumens	T1	T2	T3L	T4L	T5LS	Watts
150	2L	1946	1992	1806	1809	1918	22
300	4L	3892	3984	3613	3618	3835	43
500	6L	6394	6545	5935	5943	6301	70
700	8L	8755	8961	8126	8138	8627	97

Premier-2-M Serenity Lens - HDL 4K Lumen Data							
Current	Lumens	T1	T2	T3L	T4L	T5LS	Watts
150	2L	1846	1890	1714	1716	1819	22
300	4L	3692	3779	3427	3432	3638	43
500	6L	6065	6208	5630	5638	5976	70
700	8L	8304	8500	7708	7719	8183	97

Premier-2-M Serenity Lens - HDL 3K Lumen Per Watt Data							
Current	Lumens	T1	T2	T3L	T4L	T5LS	Watts
150	2L	82	84	76	76	81	22
300	4L	84	86	78	78	83	43
500	6L	85	87	79	79	84	70
700	8L	84	86	78	78	83	97

Premier-2-M Serenity Lens - HDL 4K Lumen Per Watt Data							
Current	Lumens	T1	T2	T3L	T4L	T5LS	Watts
150	2L	88	91	82	82	87	22
300	4L	91	93	84	84	89	43
500	6L	92	94	85	85	91	70
700	8L	90	92	84	84	89	97

Premier-2-M Serenity Lens - HDL 4K Lumen Per Watt Data							
Current	Lumens	T1	T2	T3L	T4L	T5LS	Watts
150	2L	84	86	78	78	83	22
300	4L	86	88	80	80	85	43
500	6L	87	89	81	81	86	70
700	8L	86	88	80	80	84	97

Premier-2-M Serenity Lens - HDL 3K BUG Data														
Current	Lumens	T1			T2			T5LS			Watts			
		B	U	G	B	U	G	B	U	G				
150	2L	1	2	1	1	2	1	1	2	1	1	2	1	22
300	4L	1	3	1	1	3	1	1	3	1	1	3	1	43
500	6L	2	3	1	2	3	1	2	3	1	2	3	1	70
700	8L	2	3	1	2	3	2	2	3	2	2	3	1	97

Premier-2-M Serenity Lens - HDL 4K BUG Data														
Current	Lumens	T1			T2			T5LS			Watts			
		B	U	G	B	U	G	B	U	G				
150	2L	1	2	1	1	3	1	1	2	1	1	2	1	22
300	4L	2	3	1	1	3	1	1	3	1	1	3	1	43
500	6L	2	3	1	2	3	1	2	3	1	2	3	1	70
700	8L	3	3	1	3	3	2	2	3	2	2	3	1	97

Premier-2-M Serenity Lens - HDL 5K BUG Data														
Current	Lumens	T1			T2			T5LS			Watts			
		B	U	G	B	U	G	B	U	G				
150	2L	1	2	1	1	2	1	1	2	1	1	2	1	22
300	4L	1	3	1	1	3	1	1	3	1	1	3	1	43
500	6L	2	3	1	2	3	1	2	3	1	2	3	1	70
700	8L	3	3	1	2	3	2	2	3	2	2	3	1	97

PREMIER Bollard LED Specifications



Project Name:

Catalog Number:

Type:

The new **Premier Bollard LED** Series continues the unique contemporary design inspired by the sleek styling of the Premier II family. Separating the Driver(s) from the individual die-cast aluminum LED engines: optimize the life of the LEDs and the Driver(s); and maximizes the lumen output of the fixture. The LED light assemblies come in 20 LEDs.

Six optical distribution patterns are available. Choose between 3000, 4000 or 5000 Kelvin temperature of the LED's.

A durable polyester powdercoat finish is guaranteed for five years; and is available in standard or custom colors.

The **Premier Bollard LED** Series is an exceptional choice for low level lighting applications.

Ordering Information

MODEL	HEIGHT	OPTICS	SOURCE	CURRENT	KELVIN	VOLTAGE	MOUNTING	FINISH	OPTIONS
PRB-1	S36 Straight 36"	T1 Type 1	20LC	3 350mA	3K 3000K	UNV 120-277V	AB Anchor Base (Anchor Bolt Kit Supplied)	BZ Bronze	PC-120
	S41 Straight 41"	T2 Type 2		5 530mA	4K 4000K			BK Black	PC-208
	T41 Tapered 41"	T3 Type 3		7 700mA	5K 5000K			SBK Smooth Black	PC-240 PC-277 Button Type Photocell
		T4 Type 4						WH White	DIM 0-10v Dimming Driver
		T5 Type 5						SWH Smooth White	VRB Vandal-Resis- tant Base
	T5W Type 5 Wide			GP Graphite	GFI GFI Receptacle Standard location is 18" from base				
				GY Grey					
				SL Silver Metallic					
				CC Custom Color	IR-(R, B, G, GL, W) Illuminated Ring Red, Blue, Green, Gold, White				
					LDL Lightly Diffused Lens				
					HDL High Diffused Lens				

Features & Specifications

PREMIER Bollard

Housing

The Premier Bollard consists of a durable, cast aluminum housing and lens door frame.

Driver Compartment

The LED light engines are constructed of heavy-duty, cast aluminum. The extruded pole contains the driver(s), allowing for cooler operation and longer life. Silicone gasketing is utilized throughout the fixture for weather tight operation.

Thermal Management

The Premier Bollard Series provides excellent overall thermal management by maximizing the fixture's heat sink capabilities. This enables the Premier Bollard Series to withstand higher ambient temperatures and drive currents without degrading LED life. The Premier Bollard Series has a very low thermal resistance rating. The L70 test determines the point in an LEDs life when it reaches 70 percent of its initial output. The Premier Bollard Series LEDs have been determined to last a minimum of 100,000+ hours in 25° C environments when driven at 350 mA.

Optical System

The highest lumen output LEDs are utilized in the Premier Bollard Series. IES distribution Types 1, 2, 3, 4, 5, and T5W are available. LED light assemblies come in 20 LEDs.

- The optical system qualifies as IES full cutoff to restrict light trespass, glare and light pollution.
- Serenity Lens Option
- CRI values are 70.
- Fixture comes standard with a polycarbonate lens.

Quali-Guard® Finish

The finish is a Quali-Guard® textured, chemically pretreated through a multiple-stage washer, electrostatically applied, thermoset polyester powder coat finish, with a minimum of 3-5 mil thickness. Finish is oven-baked at 400° F to promote maximum adherence and finish hardness.

- All finishes are available in standard and custom colors.
- Finish is guaranteed for five (5) years.

Mounting

The Premier Bollard Luminaire is easily mounted with anchor bolt kit.

Electrical Assembly

- The Premier Bollard Series is supplied with a choice of 175, 350, 530, 700 mA high-performance LED drivers, that accept 120v, 50 Hz to 60 Hz, input.
- Power factor of 90%.
- Rated for -40° to 55° C operations.
- 10 kV surge protector supplied as standard.

Warranty

Five (5) year Limited Warranty on entire system, including finish. For full warranty information, please visit visionairelighting.com.

Options

- 0-10v Dimming Driver
- Button Type Photocell
- Vandal Resistant Base
- Illuminated Ring
- Serenity Lens Option

Listings

- The Premier Bollard is cUL Listed, suitable for wet locations.
- IP-65 Rated
- Powder Coated Tough.
- DLC Listed
- IDA Certification



DesignLights Consortium (DLC) qualified Product. Some configurations of this product family may not be DesignLights Consortium (DLC) listed, please refer to the DLC qualified products list to confirm listed configurations. <http://www.designlights.org/>
3000K must be selected for IDA certification.
Fixed mount must be selected for IDA dark sky certification.

Vandal Resistant Base Detail



Ordering Nomenclature	System Watts	ELECTRICAL LOAD (A)					
		120	208	240	277	347	480
PRB-1-T5W-20LC-1	13	0.11	0.06	0.05	0.05	0.04	0.03
PRB-1-T5W-20LC-3	22	0.18	0.11	0.09	0.08	0.06	0.05
PRB-1-T5W-20LC-5	34	0.28	0.16	0.14	0.12	0.10	0.07
PRB-1-T5W-20LC-7	45	0.38	0.22	0.19	0.16	0.13	0.09

PREMIER Bollard LED Specifications

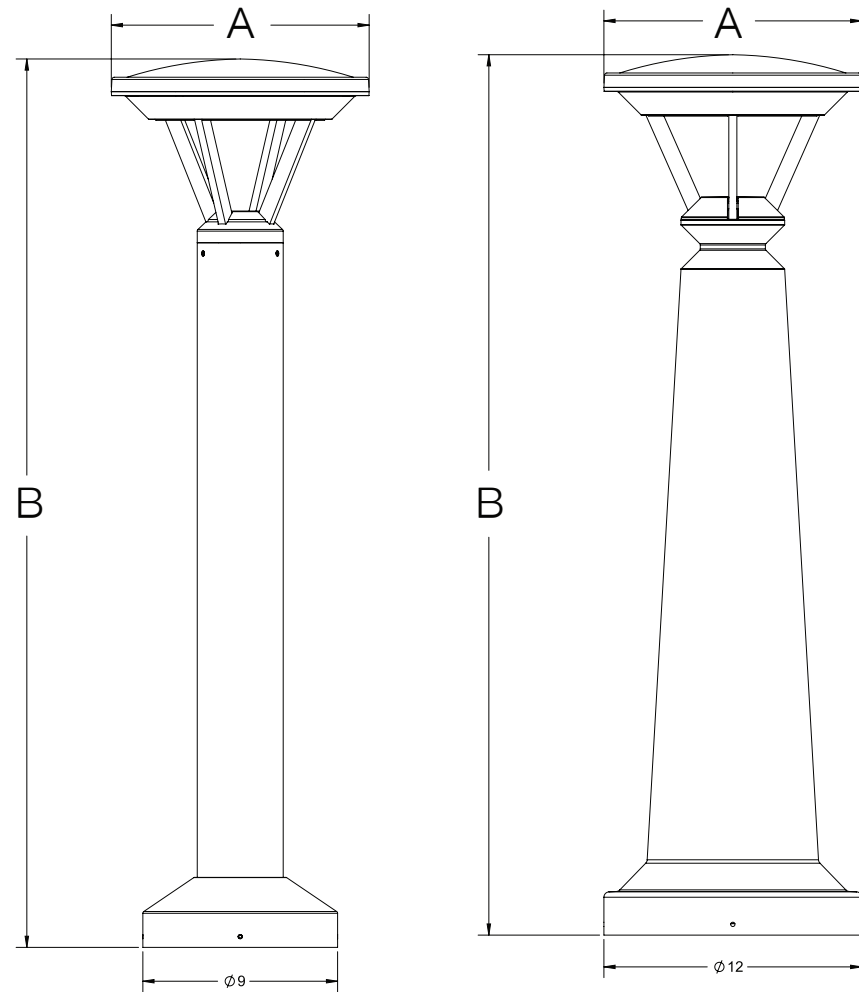
Photometric Optical Summary



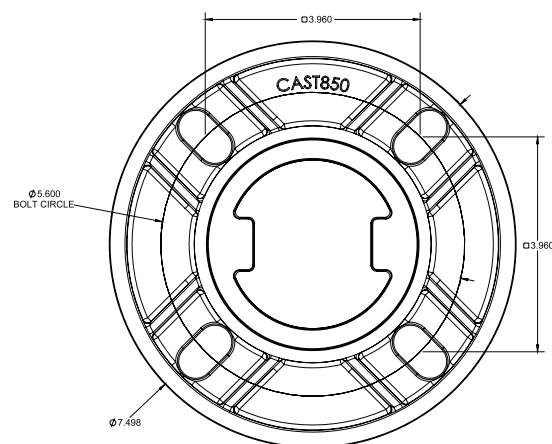
Dimensions

Width: PRB-1 12"

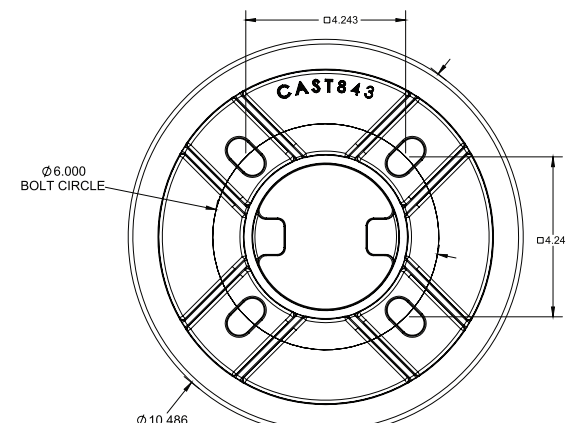
Height: PRB-1 41"



PREMIER BOLLARD
BASE TEMPLATE



PREMIER BOLLARD
TAPERED BASE TEMPLATE



3K LUMEN DATA - Updated 07.24.19

#LED	Current (mA)	T1	LPW	T2	LPW	T3	LPW	T4	LPW	T5	LPW	T5W	LPW	Watts
20	350	2463	112	2283	104	2352	107	2202	100	2470	112	2327	106	22
	530	3849	113	3568	105	3675	108	3341	101	3860	114	3637	107	34
	700	4763	106	4415	98	4548	101	4258	95	4777	106	4500	100	45

4K LUMEN DATA

20	350	2593	118	2404	109	2476	113	2318	105	2600	118	2450	111	22
	530	4052	119	3756	110	3869	114	3622	107	4063	120	3828	113	34
	700	5014	111	4648	103	4787	106	4482	100	5028	112	4737	105	45

5K LUMEN DATA

20	350	2488	113	2307	105	2376	108	2224	101	2495	113	2351	107	22
	530	3888	114	3604	106	3712	109	3460	102	3899	115	3674	108	34
	700	4811	107	4460	99	4594	102	4301	92	4825	107	4546	101	45

3K BUG DATA

#LED	Current (mA)	T1			T2			T3			T4			T5			T5W			Watts
		B	U	G	B	U	G	B	U	G	B	U	G	B	U	G	B	U	G	
	350	1	3	1	1	3	1	1	3	1	1	3	1	1	3	1	2	3	2	22
	530	2	3	2	1	3	1	1	3	1	1	3	1	2	3	1	2	3	2	34
	700	2	3	2	1	3	2	1	3	1	1	3	1	2	3	1	3	3	3	45

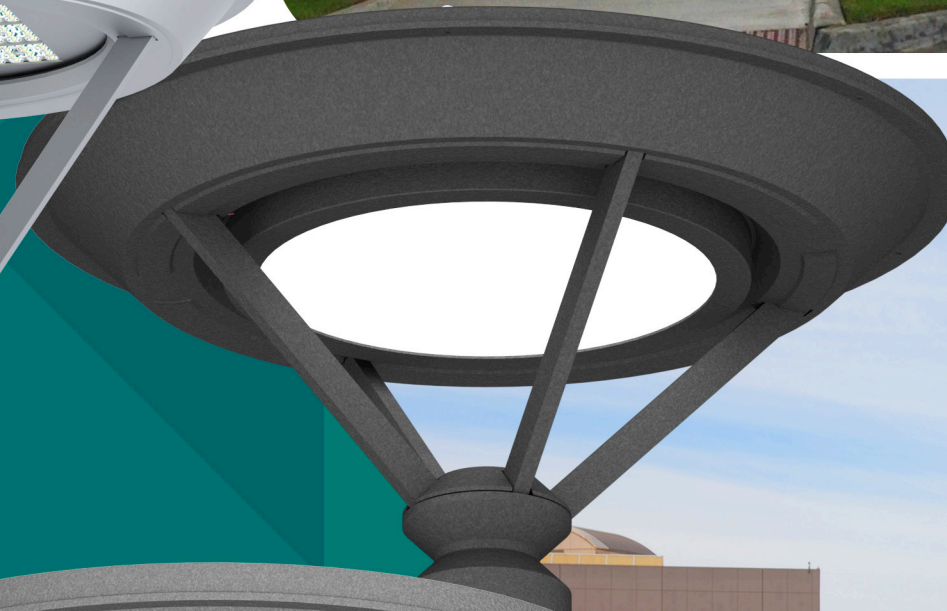
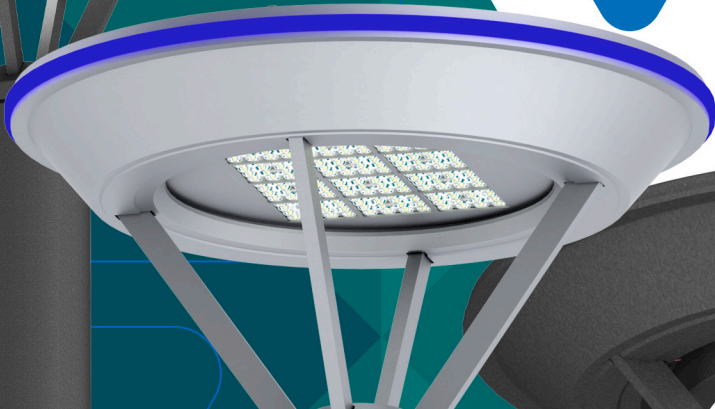
4K BUG DATA

	350	1	3	1	1	3	1	1	3	1	1	3	1	1	3	1	2	3	2	22
	530	2	3	2	1	3	1	1	3	1	1	3	1	2	3	1	2	3	2	34
	700	2	3	2	2	3	2	1	3	1	1	3	1	2	3	1	3	3	3	45

5K BUG DATA

	350	1	0	1	1	0	1	1	0	1	1	0	1	1	0	1	2	0	1	22
	530	2	0	2	1	0	1	1	0	1	1	0	1	2	0	1	2	0	1	34
	700	2	0	2	2	0	2	1	0	1	1	0	1	2	0	1	2	0	1	45

See Visionairelighting.com
for Serenity Lens Data



19645 Rancho Way,
Rancho Dominguez, CA 90220
310.512.6480
www.visionairelighting.com

