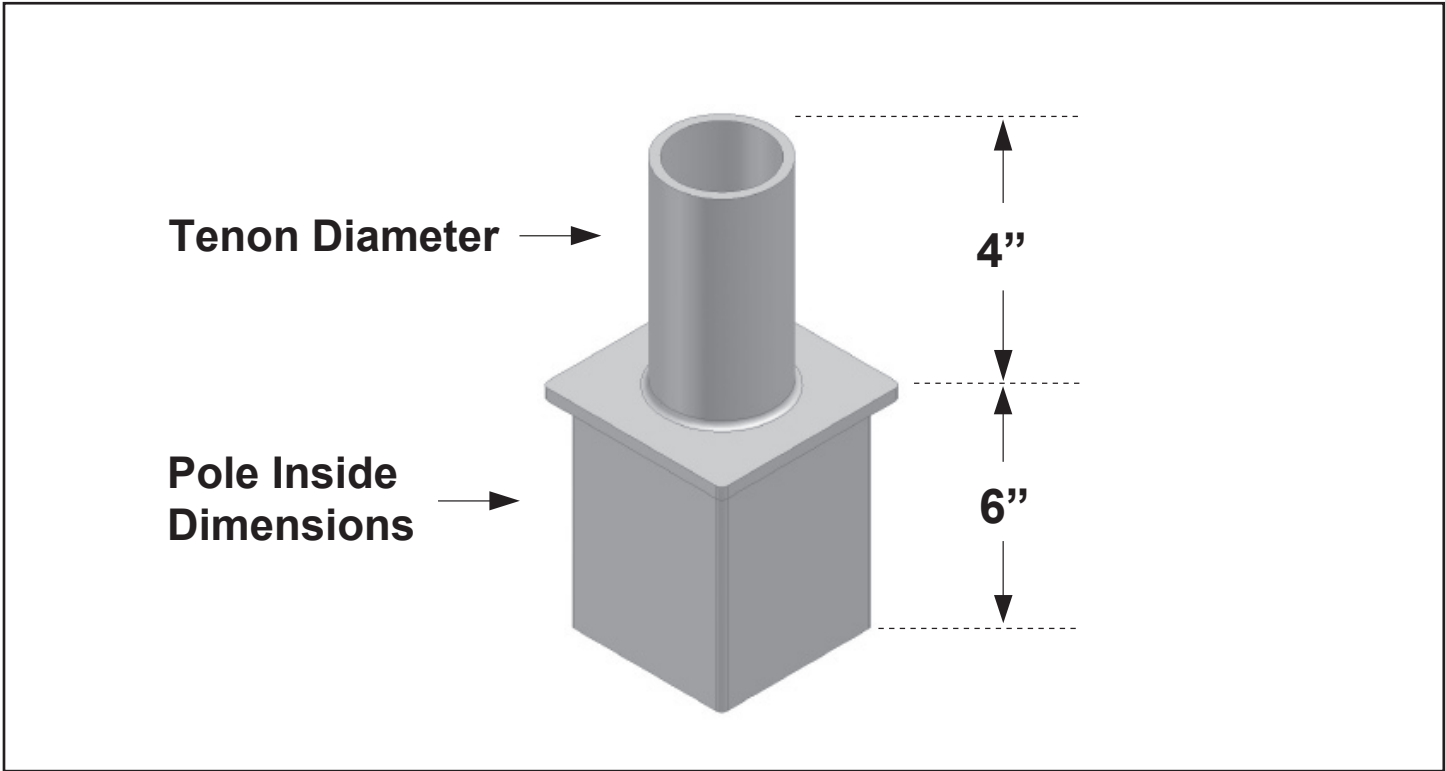


# SITA Specifications



All steel tenon adapters are constructed of square or round steel tubing with tenons. Designed for the following applications: SITA - Square Internal tenon adapter to slip inside 3 1/2" to 6 1/2" Square poles.

Project Name:

Catalog Number:

Type:

Date:

Location:

MODEL	TOP TENON SIZE	BOTTOM POLE SIZE	FINISH
<b>SITA</b>	<b>2 3/8</b> 2-3/8" Dia	<b>3 1/2</b> 3-1/2" x 3-1/2"	<b>BZ</b> Bronze
	<b>3</b> 3" Dia	<b>4</b> 4" x 4"	<b>BK</b> Black
	<b>3 1/2</b> 3-1/2" Dia	<b>4 1/2</b> 4-1/2" x 4-1/2"	<b>GY</b> Grey
	<b>4</b> 4" Dia	<b>5</b> 5" x 5"	<b>SBK</b> Smooth Black
	<b>4 1/2</b> 4-1/2" Dia	<b>5 1/2</b> 5-1/2" x 5-1/2"	<b>WH</b> White
	<b>5</b> 5" Dia	<b>6</b> 6" x 6"	<b>SWH</b> Smooth White
	<b>5 1/2</b> 5-1/2" Dia	<b>6 1/2</b> 6-1/2" x 6-1/2"	<b>GP</b> Graphite
	<b>6</b> 6" Dia		<b>GY</b> Grey
			<b>SL</b> Silver Metallic
			<b>ZRP</b> Zinc-Rich Primer Coat
			<b>CC</b> Custom Color