

# LUSO Bollard LED Specifications



Shown with Serenity Lens

Project Name:

Catalog Number:

Type:

The **Lusso Bollard LED** Series continues the unique contemporary design inspired by the sleek styling of the Lusso family. Separating the Driver(s) from the individual cast aluminum LED engines: optimize the life of the LEDs and the Driver(s); and maximizes the lumen output of the fixture.

Six optical distribution patterns are available. Choose between 3K, 4K or 5K Kelvin temperature of the LED's.

A durable polyester powdercoat finish is guaranteed for five years; and is available in standard or custom colors.

The **Lusso Bollard LED** Series is an exceptional choice for low level lighting applications.

## Ordering Information

MODEL	HEIGHT	OPTICS	SOURCE	CURRENT	KELVIN	VOLTAGE	MOUNTING	FINISH	OPTIONS
<b>LSO-B</b>	<b>S36</b> Straight 36"	<b>T1</b> Type 1	<b>20LC</b>	<b>1</b> 175mA	<b>3K</b> 3000K	<b>UNV</b> 120-277V	<b>AB</b> Anchor Base	<b>BK</b> Black	<b>PC-120</b> Button Type Photocell
	<b>S41</b> Straight 41"	<b>T2</b> Type 2		<b>3</b> 350mA	<b>4K</b> 4000K			<b>SBK</b> Smooth Black	<b>PC-208</b> Button Type Photocell
		<b>T3</b> Type 3		<b>5</b> 530mA	<b>5K</b> 5000K			<b>BZ</b> Bronze	<b>PC-240</b> Button Type Photocell
		<b>T4</b> Type 4		<b>7</b> 700mA				<b>GP</b> Graphite	<b>PC-277</b> Button Type Photocell
		<b>T5</b> Type 5						<b>GY</b> Grey	<b>DIM</b> 0-10v Dimming Driver
		<b>T5W</b> Type 5 Wide						<b>SL</b> Silver Metallic	<b>LDL</b> Lightly Diffused Lens
								<b>WH</b> White	<b>HDL</b> High Diffused Lens
								<b>SWH</b> Smooth White	<b>GFI</b> GFI Receptacle Standard location is 18" from base
								<b>FG</b> Forest Green	
								<b>VD</b> Verdigris Green	
								<b>CC</b> Custom Color	

## Housing

The Lusso Bollard consists of a durable, cast aluminum housing and lens door frame.

## Driver Compartment

The LED light engines are constructed of heavy-duty, cast aluminum. The extruded pole contains the driver(s), allowing for cooler operation and longer life. Silicone gasketing is utilized throughout the fixture for weather tight operation.

## Thermal Management

- The Lusso Bollard Series provides excellent overall thermal management by maximizing the fixture's heat sink capabilities. This enables the Lusso Bollard Series to withstand higher ambient temperatures and drive currents without degrading LED life. The Lusso Bollard Series has a very low thermal resistance rating.
- The L70 test determines the point in an LEDs life when it reaches 70 percent of its initial output. The Lusso Bollard Series LEDs have been determined to last a minimum of 100,000+ hours in 25° C environments when driven at 700 mA.

## Optical System

- Serenity Lens is offered in two different diffusion levels, high and lightly diffused.
- The highest lumen output LEDs are utilized. High performance acrylic optics feature industry-leading Type 1, 2, 3, 4, 5 and 5W optical distributions. LED light assemblies come in 20 LEDs.
- The optical system qualifies as IES full cutoff to restrict light trespass, glare and light pollution.
- CRI values are 70.

## Quali-Guard® Finish

- The finish is a Quali-Guard® textured, chemically pretreated through a multiple-stage washer, electrostatically applied, thermoset polyester powder coat finish, with a minimum of 3-5 millimeters thickness. Finish is oven-baked at 400° F to promote maximum adherence and finish hardness.
- All finishes are available in standard and custom colors.
- Finish is guaranteed for five (5) years.

## Mounting

The Lusso Bollard Luminaire is easily mounted with anchor bolt kit.

## Electrical Assembly

- The Bollard Sconce is supplied with a choice of 175, 350, 530, 700 mA high-performance LED drivers, that accept 120v, 50 Hz to 60 Hz, input.
- Power factor of 90%.
- Rated for -40° to 55° C operations.
- 10 kV surge protector supplied as standard.

## Warranty

- Five (5) year Limited Warranty on electrical components.
  - Five (5) year on finish.
- For full warranty information, please visit [visionairelighting.com](http://visionairelighting.com).

## Options

- Button Style Photocell
- 0-10v Dimming Driver
- Lightly Diffused Lens
- High Diffused Lens

## Listings

- The Lusso Bollard is cUL Listed, suitable for wet locations.
- IP65 Rated
- Powder Coated Tough™
- IDA Certification



DesignLights Consortium (DLC) qualified Product. Some configurations of this product family may not be DesignLights Consortium (DLC) listed, please refer to the DLC qualified products list to confirm listed configurations. <http://www.designlights.org/>  
3000K must be selected for IDA certification.  
Fixed mount must be selected for IDA dark sky certification.

ELECTRICAL LOAD (A)							
Ordering Nomenclature	System Watts	120	208	240	277	347	480
LSO-B-T5W-20LC-1	13	0.11	0.06	0.05	0.05	0.04	0.03
LSO-B-T5W-20LC-3	22	0.18	0.11	0.09	0.08	0.06	0.05
LSO-B-T5W-20LC-5	34	0.28	0.16	0.14	0.12	0.10	0.07
LSO-B-T5W-20LC-7	45	0.38	0.22	0.19	0.16	0.13	0.09

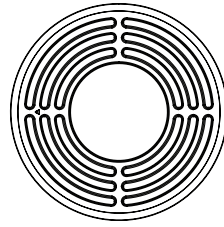
# LUSSO Bollard LED Specifications

## Photometric Optical Summary

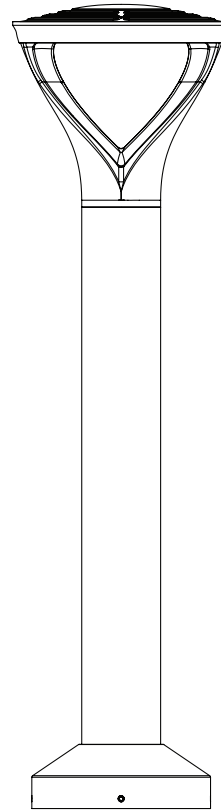


## Dimensions

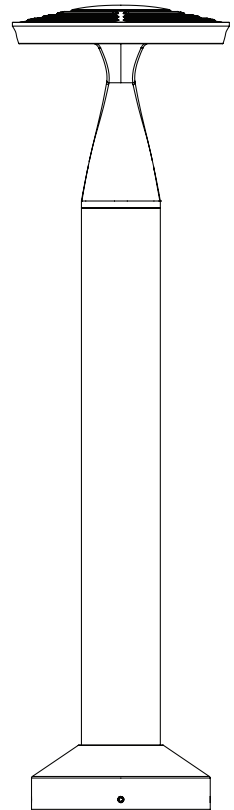
<b>Width:</b>	LSO-B 12"
<b>Depth:</b>	LSO-B 12"
<b>Height:</b>	LSO-B 36" or 41"
<b>Weight:</b>	LSO-B 15 lbs



TOP VIEW

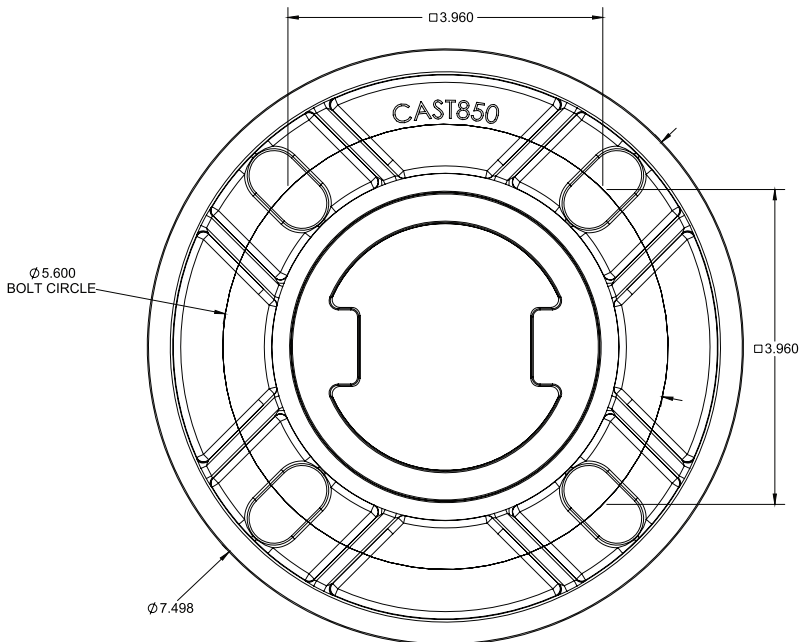


FRONT VIEW



SIDE VIEW

## LUSSO BOLLARD BASE TEMPLATE



3K LUMEN DATA																				
# of LEDs	Current (mA)	T1	T2	T3	T4	T5	T5W	Watts												
20	175	1425	1321	1361	1274	1429	1347	13												
	350	2463	2283	2352	2202	2470	2327	22												
	530	3849	3568	3675	3441	3860	3637	34												
	700	4763	4415	4548	4258	4777	4500	45												
4K LUMEN DATA																				
20	175	1500	1391	1432	1341	1504	1417	13												
	350	2593	2404	2476	2318	2600	2450	22												
	530	4052	3756	3869	3622	4063	3828	34												
	700	5014	4648	4787	4482	5028	4737	45												
5K LUMEN DATA																				
20	175	1439	1334	1374	1287	1444	1360	13												
	350	2488	2307	2376	2224	2495	2351	22												
	530	3888	3604	3712	3460	3899	3674	34												
	700	4811	4460	4594	4301	4825	4546	45												
3K LPW DATA																				
# of LEDs	Current (mA)	T1	T2	T3	T4	T5	T5W	Watts												
20	175	110	102	105	98	110	104	13												
	350	112	104	107	100	112	106	22												
	530	113	105	108	101	114	107	34												
	700	106	98	101	95	106	100	45												
4K LPW DATA																				
20	175	115	107	110	103	116	109	13												
	350	118	109	113	105	118	111	22												
	530	119	110	114	107	120	113	34												
	700	111	103	106	100	112	105	45												
5K LPW DATA																				
20	175	111	103	106	99	111	105	13												
	350	113	105	108	101	113	107	22												
	530	114	106	109	102	115	108	34												
	700	107	99	102	96	107	101	45												
3K BUG DATA																				
# of LEDs	Current (mA)	T1			T2			T3			T4			T5			Watts			
		B	U	G	B	U	G	B	U	G	B	U	G	B	U	G				
20	175	1	0	1	1	0	1	0	0	1	0	0	1	1	0	1	1	0	1	13
	350	1	0	1	1	0	1	1	0	1	1	0	1	1	0	1	2	0	2	22
	530	2	0	2	1	0	1	1	0	1	1	0	1	2	0	1	2	0	2	34
	700	2	0	2	1	0	2	1	0	1	1	0	1	2	0	1	3	0	3	45
4K BUG DATA																				
20	175	1	0	1	1	0	1	0	0	1	0	0	1	1	0	1	1	0	1	13
	350	1	0	1	1	0	1	1	0	1	1	0	1	1	0	1	2	0	2	22
	530	2	0	2	1	0	1	1	0	1	1	0	1	2	0	1	2	0	2	34
	700	2	0	2	2	0	2	1	0	1	1	0	1	2	0	1	3	0	3	45
5K BUG DATA																				
20	175	1	0	1	1	0	1	0	0	1	0	0	1	1	0	1	1	0	1	13
	350	1	0	1	1	0	1	1	0	1	1	0	1	1	0	1	2	0	2	22
	530	2	0	2	1	0	1	1	0	1	1	0	1	2	0	1	2	0	2	34
	700	2	0	2	1	0	2	1	0	1	1	0	1	2	0	1	3	0	3	45

# LUSSO Bollard LED Specifications

3K LUMEN DATA - LDL DIFFUSER																				
# of LEDs	Current (mA)	T1			T2			T3			T4			T5			T5W	Watts		
20	175	919			871			853			846			969			805	13		
	350	1705			1616			1583			1568			1797			1493	22		
	530	2749			2604			2552			2528			2897			2406	34		
	700	3466			3284			3218			3188			3653			3034	45		
4K LUMEN DATA - LDL DIFFUSER																				
20	175	938			889			871			863			989			821	13		
	350	1740			1649			1616			1601			1834			1523	22		
	530	2805			2658			2605			2580			2957			2456	34		
	700	3537			3352			3284			3254			3728			3096	45		
5K LUMEN DATA - LDL DIFFUSER																				
20	175	957			907			889			880			1009			838	13		
	350	1775			1682			1648			1633			1871			1554	22		
	530	2862			2712			2657			2632			3016			2505	34		
	700	3609			3419			3350			3319			3803			3159	45		
3K LPW DATA - LDL DIFFUSER																				
# of LEDs	Current (mA)	T1			T2			T3			T4			T5			T5W	Watts		
20	175	71			67			66			65			75			62	13		
	350	78			73			72			71			82			68	22		
	530	81			77			75			74			85			71	34		
	700	77			73			72			71			81			67	45		
4K LPW DATA - LDL DIFFUSER																				
20	175	72			68			67			66			76			63	13		
	350	79			75			73			73			83			69	22		
	530	83			78			77			76			87			72	34		
	700	79			74			73			72			83			69	45		
5K LPW DATA - LDL DIFFUSER																				
20	175	74			70			68			68			78			64	13		
	350	81			76			75			74			85			71	22		
	530	84			80			78			77			89			74	34		
	700	80			76			74			74			85			70	45		
3K BUG DATA - LDL DIFFUSER																				
# of LEDs	Current (mA)	T1			T2			T3			T4			T5			T5W			Watts
		B	U	G	B	U	G	B	U	G	B	U	G	B	U	G	B	U	G	
20	175	1	0	1	0	0	1	0	0	0	0	0	0	1	0	1	0	0	1	13
	350	1	0	1	1	0	1	0	0	1	0	0	1	1	0	1	1	0	1	22
	530	1	0	1	1	0	1	1	0	1	1	0	1	1	0	1	1	0	1	34
	700	1	0	1	1	0	1	1	0	1	1	0	1	1	0	1	1	0	1	45
4K BUG DATA - LDL DIFFUSER																				
20	175	1	0	1	0	0	1	0	0	0	0	0	0	1	0	1	0	0	1	13
	350	1	0	1	1	0	1	1	0	1	0	0	1	1	0	1	1	0	1	22
	530	1	0	1	1	0	1	1	0	1	1	0	1	1	0	1	1	0	1	34
	700	1	0	1	1	0	1	1	0	1	1	0	1	1	0	1	1	0	1	45
5K BUG DATA - LDL DIFFUSER																				
20	175	1	0	1	0	0	1	0	0	0	0	0	0	1	0	1	0	0	1	13
	350	1	0	1	1	0	1	1	0	1	0	0	1	1	0	1	1	0	1	22
	530	1	0	1	1	0	1	1	0	1	1	0	1	1	0	1	1	0	1	34
	700	1	0	1	1	0	1	1	0	1	1	0	1	1	0	1	1	0	1	45

3K LUMEN DATA - HDL DIFFUSER																							
# of LEDs	Current (mA)	T1			T2			T3			T4			T5			T5W			Watts			
20	175	850			877			847			853			959			839			13			
	350	1518			1391			1344			1354			1523			1332			22			
	530	2468			2262			2185			2202			2475			2166			34			
	700	3124			2863			2765			2787			3133			2741			45			
4K LUMEN DATA - HDL DIFFUSER																							
20	175	860			886			856			863			970			849			13			
	350	1535			1407			1359			1370			1540			1347			22			
	530	2496			2288			2209			2227			2503			2190			34			
	700	3159			2895			2796			2819			3168			2772			45			
5K LUMEN DATA - HDL DIFFUSER																							
20	175	869			896			866			873			981			858			13			
	350	1553			1423			1374			1385			1557			1362			22			
	530	2524			2313			2234			2252			2531			2215			34			
	700	3195			2928			2828			2850			3204			2803			45			
3K LPW DATA - HDL DIFFUSER																							
# of LEDs	Current (mA)	T1			T2			T3			T4			T5			T5W			Watts			
20	175	65			67			65			66			74			65			13			
	350	69			63			61			62			69			61			22			
	530	73			67			64			65			73			64			34			
	700	69			64			61			62			70			61			45			
4K LPW DATA - HDL DIFFUSER																							
20	175	66			68			66			66			75			65			13			
	350	70			64			62			62			70			61			22			
	530	73			67			65			65			74			64			34			
	700	70			64			62			63			70			62			45			
5K LPW DATA - HDL DIFFUSER																							
20	175	67			69			67			67			75			66			13			
	350	71			65			62			63			71			62			22			
	530	74			68			66			66			74			65			34			
	700	71			65			63			63			71			62			45			
3K BUG DATA - HDL DIFFUSER																							
# of LEDs	Current (mA)	T1			T2			T3			T4			T5			T5W			Watts			
		B	U	G	B	U	G	B	U	G	B	U	G	B	U	G	B	U	G				
20	175	0	0	1	0	0	1	0	0	1	0	0	1	0	0	1	1	0	1	0	0	1	13
	350	1	0	1	1	0	1	1	0	1	1	0	1	1	0	1	1	0	1	1	0	1	22
	530	1	0	1	1	0	1	1	0	1	1	0	1	1	0	1	1	0	1	1	0	1	34
	700	1	0	1	1	0	1	1	0	1	1	0	1	1	0	1	1	0	1	1	0	1	45
4K BUG DATA - HDL DIFFUSER																							
20	175	1	0	1	0	0	1	0	0	1	0	0	1	1	0	1	0	0	1	0	0	1	13
	350	1	0	1	1	0	1	1	0	1	1	0	1	1	0	1	1	0	1	1	0	1	22
	530	1	0	1	1	0	1	1	0	1	1	0	1	1	0	1	1	0	1	1	0	1	34
	700	1	0	1	1	0	1	1	0	1	1	0	1	1	0	1	1	0	1	1	0	1	45
5K BUG DATA - HDL DIFFUSER																							
20	175	1	0	1	0	0	1	0	0	1	0	0	1	1	0	1	1	0	1	1	0	1	13
	350	1	0	1	1	0	1	1	0	1	1	0	1	1	0	1	1	0	1	1	0	1	22
	530	1	0	1	1	0	1	1	0	1	1	0	1	1	0	1	1	0	1	1	0	1	34
	700	1	0	1	1	0	1	1	0	1	1	0	1	1	0	1	1	0	1	1	0	1	45