

# CROSS BOW - Architectural LED Specifications



Project Name:

Catalog Number:

Type:

The **Cross Bow LED** Series continues the unique contemporary design inspired by the sleek styling of the BOW Collection. Separating the Driver(s) from the individual die-cast aluminum linear LED engines: optimize the life of the LEDs and the Driver(s); and maximizes the lumen output of the fixture.

The LED light assemblies come in multiples of 32 LEDs; and are offered in up to 64 LEDs.

Six optical distribution patterns are available. Choose between 3000, 4000 or 5000 Kelvin temperature of the LEDs.

A durable polyester powdercoat finish is guaranteed for five years; and is available in standard or custom colors.

The **Cross Bow LED** series is an exceptional choice for low level lighting applications.

## Ordering Information

MODEL	HEIGHT	OPTICS	SOURCE	CURRENT	KELVIN	VOLTAGE	MOUNTING	FINISH	OPTIONS
<b>C-BOW-2</b>	<b>9</b> 9'	<b>T1</b> Type 1	<b>32LC</b> Single	<b>3</b> 350mA	<b>3K</b> 3000K	<b>UNV</b> 120-277V	<b>AB</b> Anchor Base (ANCHOR BOLT KIT SUPPLIED)	<b>BZ</b> Bronze	<b>PC-120</b> Button Type Photocell
	<b>10</b> 10'	<b>T2</b> Type 2	<b>64LC</b> Double	<b>5</b> 530mA	<b>4K</b> 4000K			<b>BK</b> Black	<b>PC-208</b> Button Type Photocell
	<b>11</b> 11'	<b>T3</b> Type 3		<b>7</b> 700mA	<b>5K</b> 5000K			<b>SBK</b> Smooth Black	<b>PC-240</b> Button Type Photocell
		<b>T4</b> Type 4		<b>10</b> 1050mA				<b>WH</b> White	<b>PC-277</b> Button Type Photocell
		<b>T5</b> Type 5						<b>SWH</b> Smooth White	<b>DIM</b> 0-10v Dimming Driver
		<b>T5W</b> Type 5 Wide						<b>GP</b> Graphite	<b>GFI</b> GFI Receptacle *Standard location is in hand hole
								<b>GY</b> Grey	
								<b>SL</b> Silver Metallic	
								<b>CC</b> Custom Color	

# Features & Specifications

## CROSS BOW - Architectural

### Housing

· The LED light engines are constructed of heavy-duty, die-cast aluminum, with external heat radiating fins. The 4" extruded pole contains the driver(s), allowing for cooler operation and longer life. Silicone gasketing is utilized throughout the fixture for weather tight operation.

### Thermal Management

· The Cross Bow Series provides excellent overall thermal management by maximizing the fixture's heat sink capabilities. This enables the Cross Bow Series to withstand higher ambient temperatures and drive currents without degrading LED life. The Cross BOW Series has a very low thermal resistance rating.

· The L70 test determines the point in an LEDs life when it reaches 70 percent of its initial output. The Cross Bow Series LEDs have been determined to last a minimum of 140,000 hours in 25° C environments when driven at 350 mA.

### Optical System

The highest lumen output LED Arrays are utilized in the Cross Bow Array Series. IES distribution Types I, II, III, IV, V and VW are available. LED Array light assemblies come in multiples of 16 LEDs. The optical system qualifies as IES full cutoff to restrict light trespass, glare and light pollution. CRI values are 70.

### Quali-Guard® Finish

· The finish is a Quali-Guard® textured, chemically pretreated through a multiple-stage washer, electrostatically applied, thermoset polyester powder coat finish, with a minimum of 3-5 mil thickness. Finish is oven-baked at 400° F to promote maximum adherence and finish hardness. All finishes are available in standard and custom colors. Finish is guaranteed for five (5) years.

### Mounting

The Cross Bow Luminaire is easily attached to the pole by 2 tamper-proof countersunk screws.

### Electrical Assembly

· The Cross Bow Series is supplied with a choice of 350 to 1050 mA high-performance LED drivers that accept 120v 50 Hz to 60 Hz, input.  
· 10 kV surge protector supplied as standard.

### Warranty

· Five (5) year Limited Warranty on electrical components, Five (5) year on finish. For full warranty information, please visit [visionairelighting.com](http://visionairelighting.com).

### Options

Button Type Photocell  
0-10v Dimming Driver

### Listings

Cross Bow Series is ETL listed, suitable for wet locations.

LM79 and LM80

RoHS compliant

IP66 rated

DLC Listed

Powder Coated Tough™

DesignLights Consortium (DLC) qualified Product. Some configurations of this product family may not be DesignLights Consortium (DLC) listed, please refer to the DLC qualified products list to confirm listed configurations. <http://www.designlights.org/>  
3000K must be selected for IDA certification.



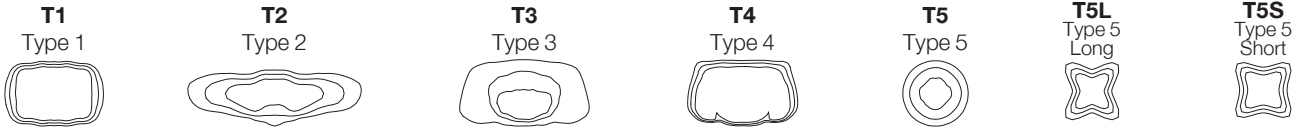
**IP66**  
Rated



CROSS BOW - ARCHITECTURAL - ELECTRICAL LOAD (A)							
Ordering Nomenclature	System Watts	120	208	240	277	347	480
<b>Single Configuration</b>							
<b>C-BOW-2-9-T5-32LC-3</b>	<b>36</b>	0.30	0.17	0.15	0.13	0.10	0.08
<b>C-BOW-2-9-T5-32LC-5</b>	<b>51</b>	0.43	0.25	0.21	0.18	0.15	0.11
<b>C-BOW-2-9-T5-32LC-7</b>	<b>72</b>	0.60	0.35	0.30	0.26	0.21	0.15
<b>C-BOW-2-9-T5-32LC-10</b>	<b>105</b>	0.88	0.50	0.44	0.38	0.30	0.22
<b>Double Configuration</b>							
<b>C-BOW-2-9-T5-64LC-3</b>	<b>72</b>	0.60	0.35	0.30	0.26	0.21	0.15
<b>C-BOW-2-9-T5-64LC-5</b>	<b>102</b>	0.85	0.49	0.43	0.37	0.29	0.21
<b>C-BOW-2-9-T5-64LC-7</b>	<b>145</b>	1.21	0.70	0.60	0.52	0.42	0.30
<b>C-BOW-2-9-T5-64LC-10</b>	<b>210</b>	1.75	1.01	0.88	0.76	0.61	0.44

# CROSS BOW - Architectural LED Specifications

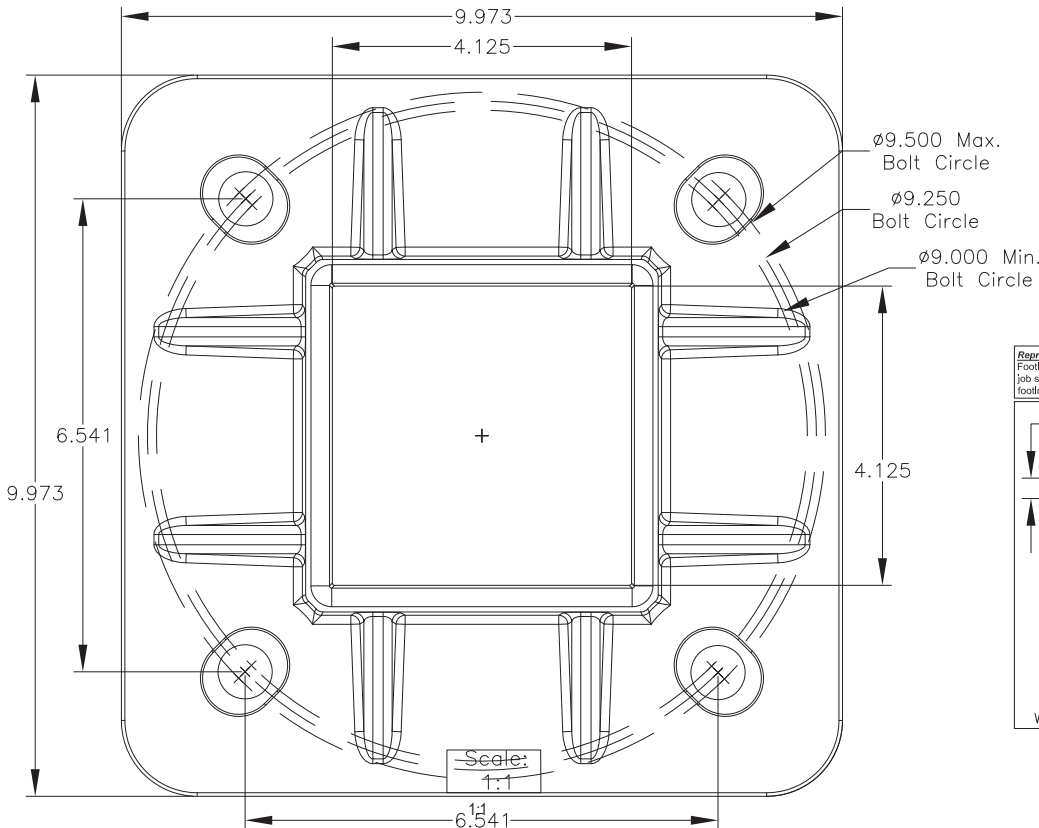
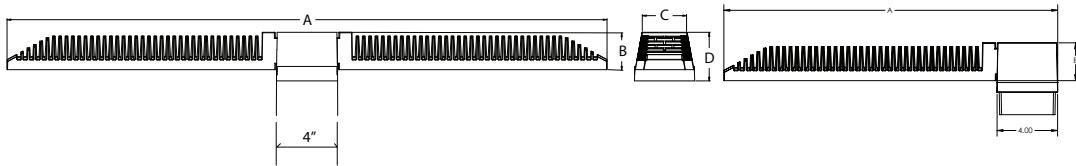
## Photometric Optical Summary



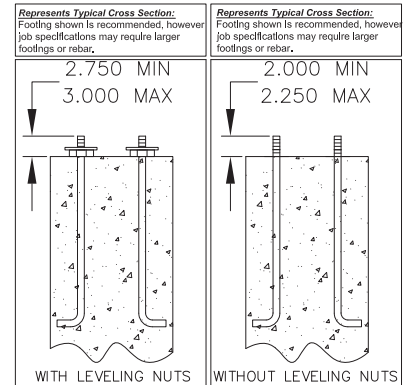
C-BOW-2-32LC	
EPA	0.3 ft <sup>2</sup>
C-BOW-2-64LC	
EPA	0.5 ft <sup>2</sup>

## Dimensions

Single	Double
<b>Width:</b> C-BOW-2 4"	<b>Width:</b> C-BOW-2 4"
<b>Height:</b> C-BOW-2 2.5"	<b>Height:</b> C-BOW-2 2.5"
<b>Depth:</b> C-BOW-2 22"	<b>Depth:</b> C-BOW-2 40"



**Akron Base Template:**  
 Aluminum Shaft 4" Square  
 for 3/4" Anchor Bolts



LED Specifications **CROSS BOW - Architectural**

Cross Bow - Architectural - 3K Lumen Chart										
# LEDs	Current (mA)	T1	T2	T3	T4	T4A	T5	T5W	T5WR	Wattage
32	350	4545	4350	4393	4090	4516	4561	4376	4420	36
	530	6344	6072	6132	5709	6304	6367	6108	6170	51
	700	8863	8483	8567	7975	8807	8895	8534	8619	72
	1050	12053	11537	11651	10846	11977	12097	11606	11722	105
64	350	9045	8657	8742	8139	8987	9077	8709	8796	72
	530	12624	12083	12203	11360	12544	12670	12156	12277	102
	700	17637	16881	17048	15871	17525	17701	16982	17152	145
	1050	23986	22958	23185	21584	23834	24073	23096	23327	210
Cross Bow - Architectural - 4K Lumen Chart										
# LEDs	Current (mA)	T1	T2	T3	T4	T4A	T5	T5W	T5WR	Wattage
32	350	4638	4439	4483	4173	4608	4654	4466	4510	36
	530	6473	6196	6257	5825	6432	6497	6233	6295	51
	700	9044	8656	8741	8138	8986	9076	8708	8795	72
	1050	12299	11772	11888	11068	12221	12344	11843	11961	105
64	350	9229	8834	8921	8305	9171	9262	8887	8976	72
	530	12882	12330	12452	11592	12800	12928	12404	12528	102
	700	17997	17225	17396	16195	17883	18062	17329	17502	145
	1050	24476	23427	23658	22025	24321	24564	23567	23803	210
Cross Bow - Architectural - 5K Lumen Chart										
# LEDs	Current (mA)	T1	T2	T3	T4	T4A	T5	T5W	T5WR	Wattage
32	350	4732	4530	4574	4259	4702	4749	4557	4602	36
	530	6605	6322	6385	5944	6564	6629	6360	6424	51
	700	9228	8833	8920	8304	9170	9261	8886	8975	72
	1050	12550	12012	12131	11294	12471	12596	12085	12205	105
64	350	9418	9014	9103	8474	9358	9451	9068	9159	72
	530	13145	12581	12706	11829	13062	13192	12657	12784	102
	700	18364	17577	17751	16525	18248	18430	17683	17859	145
	1050	24975	23905	24141	22474	24817	25065	24048	24289	210

# CROSS BOW - Architectural LED Specifications

Cross Bow - Architectural - 3K Lumen Per Watt Chart										
# LEDs	Current (mA)	T1	T2	T3	T4	T4A	T5	T5W	T5WR	Wattage
32	350	126	120	121	113	125	126	121	122	36
	530	124	119	120	112	124	125	120	121	51
	700	122	117	118	110	122	123	118	119	72
	1050	115	110	111	103	114	115	110	111	105
64	350	125	120	121	112	124	125	120	122	72
	530	124	118	120	111	123	124	119	120	102
	700	122	117	118	110	121	122	117	119	145
	1050	114	109	110	103	113	114	110	111	210
Cross Bow - Architectural - 4K Lumen Per Watt Chart										
# LEDs	Current (mA)	T1	T2	T3	T4	T4A	T5	T5W	T5WR	Wattage
32	350	128	123	124	115	127	129	123	125	36
	530	127	121	123	114	126	127	122	123	51
	700	125	120	121	112	124	125	120	122	72
	1050	117	112	113	105	116	117	113	114	105
64	350	128	122	123	115	127	128	123	124	72
	530	126	121	122	114	125	127	122	123	102
	700	124	119	120	112	124	125	120	121	145
	1050	116	111	112	105	116	117	112	113	210
Cross Bow - Architectural - 5K Lumen Per Watt Chart										
# LEDs	Current (mA)	T1	T2	T3	T4	T4A	T5	T5W	T5WR	Wattage
32	350	131	125	126	118	130	131	126	127	36
	530	130	124	125	117	129	130	125	126	51
	700	128	122	123	115	127	128	123	124	72
	1050	119	114	115	107	119	120	115	116	105
64	350	130	125	126	117	129	131	125	127	72
	530	129	123	125	116	128	129	124	125	102
	700	127	121	123	114	126	127	122	123	145
	1050	119	114	115	107	118	119	114	115	210

# LED Specifications **CROSS BOW - Architectural**

Cross Bow - Architectural - 3K BUG Chart																										
# LEDs	Current (mA)	T1			T2			T3			T4			T4A			T5			T5W			T5WR			Wattage
		B	U	G	B	U	G	B	U	G	B	U	G	B	U	G	B	U	G	B	U	G	B	U	G	
32	350	2	0	2	1	0	2	1	0	1	1	0	1	1	0	1	2	0	1	3	0	1	3	0	1	36
	530	3	0	3	2	0	2	2	0	2	1	0	2	1	0	1	3	0	1	3	0	2	3	0	1	51
	700	3	0	3	2	0	3	2	0	2	2	0	2	2	0	1	3	0	1	4	0	2	3	0	2	72
	1050	4	0	4	2	0	3	3	0	3	2	0	2	2	0	2	3	0	2	4	0	2	4	0	2	105
64	350	3	0	3	2	0	3	2	0	2	2	0	2	2	0	1	3	0	1	4	0	2	3	0	2	72
	530	4	0	4	3	0	3	3	0	3	2	0	2	2	0	2	3	0	2	4	0	2	4	0	2	102
	700	4	0	4	3	0	3	3	0	3	3	0	3	3	0	2	4	0	2	5	0	3	4	0	2	145
	1050	5	0	5	3	0	4	3	0	3	3	0	3	3	0	3	4	0	2	5	0	3	5	0	3	210

Cross Bow - Architectural - 4K BUG Chart																										
# LEDs	Current (mA)	T1			T2			T3			T4			T4A			T5			T5W			T5WR			Wattage
		B	U	G	B	U	G	B	U	G	B	U	G	B	U	G	B	U	G	B	U	G	B	U	G	
32	350	2	0	2	1	0	2	1	0	1	1	0	1	1	0	1	2	0	1	3	0	1	3	0	1	36
	530	3	0	3	2	0	2	2	0	2	1	0	2	1	0	1	3	0	1	3	0	2	3	0	1	51
	700	3	0	3	2	0	3	2	0	2	2	0	2	2	0	1	3	0	1	4	0	2	3	0	2	72
	1050	4	0	4	2	0	3	3	0	3	2	0	2	2	0	2	3	0	2	4	0	2	4	0	2	105
64	350	3	0	3	2	0	3	2	0	2	2	0	2	2	0	1	3	0	1	4	0	2	3	0	2	72
	530	4	0	4	3	0	3	3	0	3	2	0	2	2	0	2	3	0	2	4	0	2	4	0	2	102
	700	4	0	4	3	0	3	3	0	3	3	0	3	3	0	2	4	0	2	5	0	3	4	0	2	145
	1050	5	0	5	3	0	4	3	0	3	3	0	3	3	0	3	4	0	2	5	0	3	5	0	3	210

Cross Bow - Architectural - 5K BUG Chart																										
# LEDs	Current (mA)	T1			T2			T3			T4			T4A			T5			T5W			T5WR			Wattage
		B	U	G	B	U	G	B	U	G	B	U	G	B	U	G	B	U	G	B	U	G	B	U	G	
32	350	2	0	2	1	0	2	1	0	1	1	0	1	1	0	1	2	0	1	3	0	1	3	0	1	36
	530	3	0	3	2	0	2	2	0	2	1	0	2	1	0	1	3	0	1	3	0	2	3	0	1	51
	700	3	0	3	2	0	3	2	0	2	2	0	2	2	0	1	3	0	1	4	0	2	3	0	2	72
	1050	4	0	4	2	0	3	3	0	3	2	0	2	2	0	2	3	0	2	4	0	2	4	0	2	105
64	350	3	0	3	2	0	3	2	0	2	2	0	2	2	0	1	3	0	1	4	0	2	3	0	2	72
	530	4	0	4	3	0	3	3	0	3	2	0	2	2	0	2	3	0	2	4	0	2	4	0	2	102
	700	4	0	4	3	0	3	3	0	3	3	0	3	3	0	2	4	0	2	5	0	3	4	0	2	145
	1050	5	0	5	3	0	4	3	0	3	3	0	3	3	0	3	4	0	2	5	0	3	5	0	3	210