

PREMIER Bollard Turtle Safe LED Specifications



Project Name:

Catalog Number:

Type:

The new **Premier Bollard LED** Series continues the unique contemporary design inspired by the sleek styling of the Premier II family. Separating the Driver(s) from the individual die-cast aluminum LED engines: optimize the life of the LEDs and the Driver(s); and maximizes the lumen output of the fixture. The LED light assemblies come in 20 LEDs.

Six optical distribution patterns are available. Our Turtle Safe LED operates at 590 nm.

A durable polyester powdercoat finish is guaranteed for five years; and is available in standard or custom colors.

The **Premier Bollard LED** Series is an exceptional choice for low level lighting applications.

Ordering Information

MODEL	HEIGHT	OPTICS	SOURCE	CURRENT	KELVIN	VOLTAGE	MOUNTING	FINISH	OPTIONS
PRB-1	S36 Straight 36"	T1 Type 1	20LC	3 350mA	TS 590 nm	UNV 120-277V	AB Anchor Base (Anchor Bolt Kit Supplied)	BZ Bronze	PC-120 PC-208 PC-240 PC-277 Button Type Photocell
	S41 Straight 41"	T2 Type 2		5 530mA				BK Black	DIM 0-10v Dimming Driver
	T41 Tapered 41"	T3 Type 3						SBK Smooth Black	VRB Vandal-Resis- tant Base
		T4 Type 4						WH White	GFI GFI Receptacle Standard location is 18" from base
		T5 Type 5						SWH Smooth White	LDL Lightly Diffused Lens
		T5W Type 5 Wide						GP Graphite	HDL High Diffused Lens
								GY Grey	
								SL Silver Metallic	
								CC Custom Color	

Housing

The Premier Bollard consists of a durable, cast aluminum housing and lens door frame.

Driver Compartment

The LED light engines are constructed of heavy-duty, cast aluminum. The extruded pole contains the driver(s), allowing for cooler operation and longer life. Silicone gasketing is utilized throughout the fixture for weather tight operation.

Thermal Management

- The Premier Bollard Series provides excellent overall thermal management by maximizing the fixture's heat sink capabilities. This enables the Premier Bollard Series to withstand higher ambient temperatures and drive currents without degrading LED life. The Premier Bollard Series has a very low thermal resistance rating.
- The L70 test determines the point in an LEDs life when it reaches 70 percent of its initial output. The Premier Bollard Series LEDs have been determined to last a minimum of 100,000+ hours in 25° C environments when driven at 350 mA.

Optical System

The highest lumen output LEDs are utilized in the Premier Bollard Series. IES distribution Types 1, 2, 3, 4, 5, and T5W are available. LED light assemblies come in 20 LEDs.

- The optical system qualifies as IES full cutoff to restrict light trespass, glare and light pollution.
- Serenity Lens Option
- Fixture comes standard with a polycarbonate lens.

Quali-Guard® Finish

The finish is a Quali-Guard® textured, chemically pretreated through a multiple-stage washer, electrostatically applied, thermoset polyester powder coat finish, with a minimum of 3-5 mil thickness. Finish is oven-baked at 400° F to promote maximum adherence and finish hardness.

- All finishes are available in standard and custom colors.
- Finish is guaranteed for five (5) years.

Mounting

The Premier Bollard Luminaire is easily mounted with anchor bolt kit.

Electrical Assembly

- The Premier Bollard Series is supplied with a choice of 175, 350, 530, 700 mA high-performance LED drivers, that accept 120v, 50 Hz to 60 Hz, input.
- Power factor of 90%.
- Rated for -40° to 55° C operations.
- 10 kV surge protector supplied as standard.

Warranty

Five (5) year Limited Warranty on entire system, including finish. For full warranty information, please visit visionairelighting.com.

Options

- 0-10v Dimming Driver
- Button Type Photocell
- Vandal Resistant Base
- Serenity Lens Option

Listings

- The Premier Bollard is cUL Listed, suitable for wet locations.
- IP-65 Rated
- Powder Coated Tough.
- IDA Certification



Vandal Resistant Base Detail



ELECTRICAL LOAD (A)							
Ordering Nomenclature	System Watts	120	208	240	277	347	480
PRB-1-T5W-20LC-3	22	0.18	0.11	0.09	0.08	0.06	0.05
PRB-1-T5W-20LC-5	34	0.28	0.16	0.14	0.12	0.10	0.07

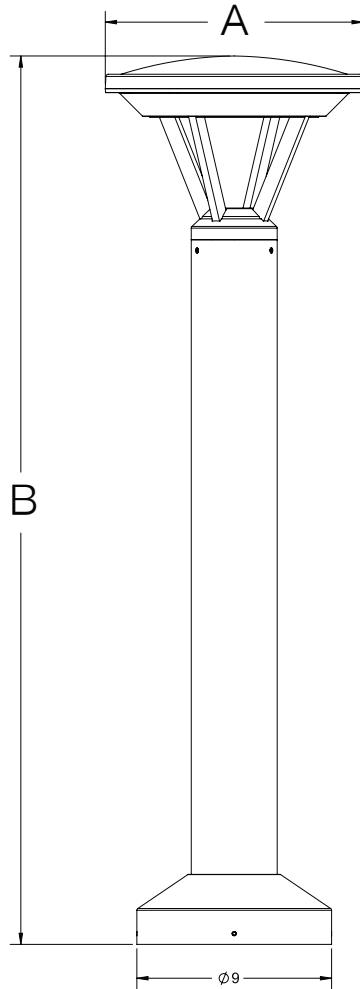
PREMIER Bollard LED Specifications

Photometric Optical Summary

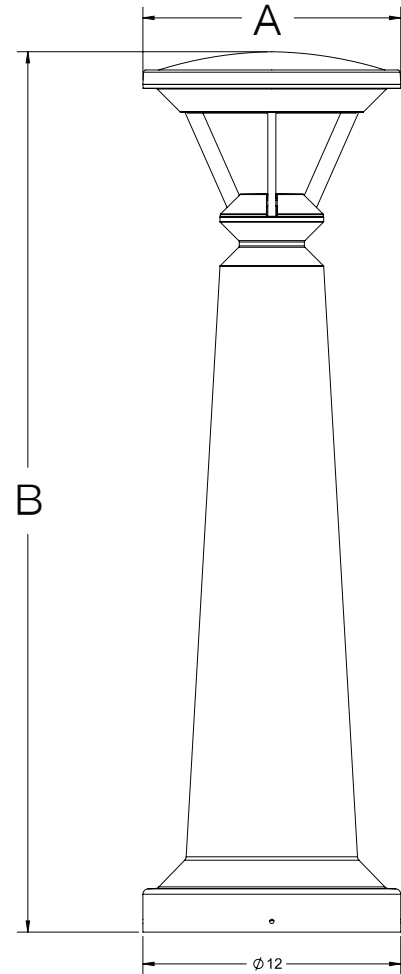
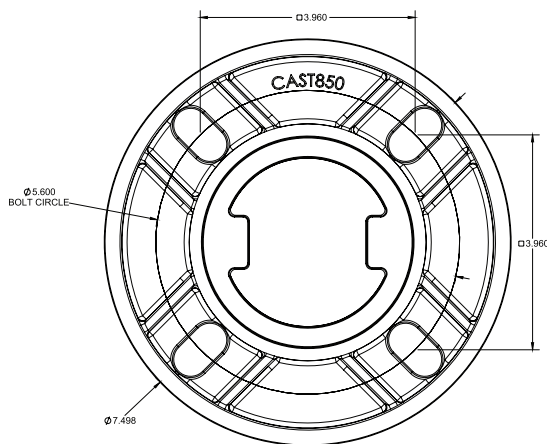


Dimensions

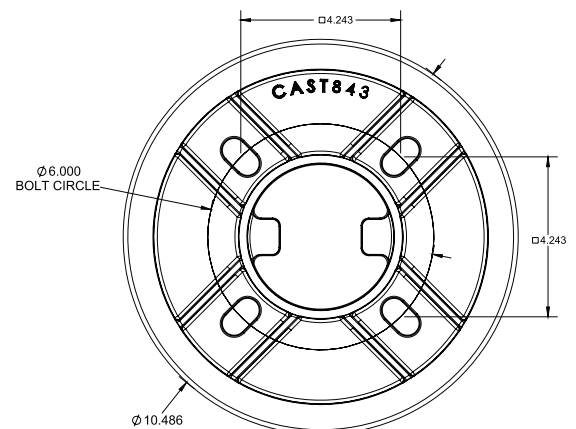
Width:	PRB-1 12"
Height:	PRB-1 41"



PREMIER BOLLARD
BASE TEMPLATE



PREMIER BOLLARD
TAPERED BASE TEMPLATE



PREMIER BOLLARD TURTLE SAFE LUMEN DATA CHART								
# LEDs	Current (mA)	T1	T2	T3	T4	T5	T5W	Watts
20	350	566	525	540	506	567	535	22
	530	884	820	844	787	887	836	34
PREMIER BOLLARD TURTLE SAFE LUMEN PER WATTS								
# LEDs	Current (mA)	T1	T2	T3	T4	T5	T5W	Watts
20	350	26	24	25	23	24	26	22
	530	26	24	25	23	25	26	34

