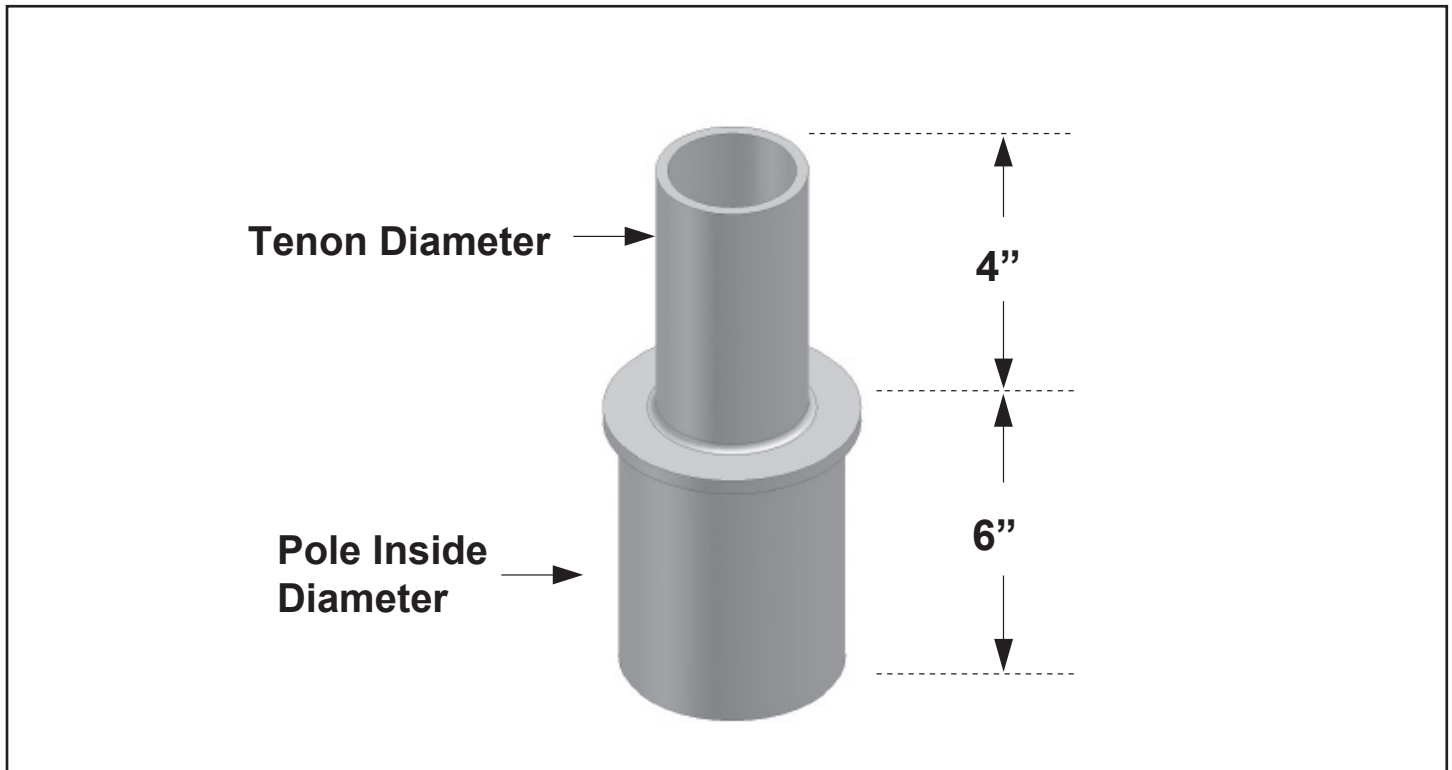


RITA Specifications

Pole - Accessories



All-Steel Tenon Adapters are precision-fabricated from heavy-wall round steel tubing and engineered to provide a strong, dependable mounting interface for pole-mounted luminaires. Designed for durability and structural integrity, these adapters ensure secure fixture support in demanding outdoor applications.

RITA – Round Internal Tenon Adapter

- Designed to slip inside 3" to 6" diameter round poles
- Provides a clean, internal tenon mounting solution
- Ensures proper fixture alignment and reliable load transfer
- Ideal for both retrofit and new-installation applications
- Robust steel construction for long-term outdoor performance

Project Name:

Catalog Number:

Type:

Date:

Location:

LED Specifications **RITA**

MODEL	TOP TENON SIZE	BOTTOM POLE SIZE	FINISH
RITA	2 3/8 2-3/8" Dia	3 3" Dia	BZ Bronze
	3 3" Dia	3 1/2 3-1/2" Dia	BK Black
	3 1/2 3-1/2" Dia	4 4" Dia	GY Grey
	4 4" Dia	4 1/2 4-1/2" Dia	SBK Smooth Black
	4 1/2 4-1/2" Dia	5 5" Dia	WH White
	5 5" Dia	5 1/2 5-1/2" Dia	SWH Smooth White
	5 1/2 5-1/2" Dia	6 6" Dia	GP Graphite
	6 6" Dia		GY Grey
			SL Silver Metallic
			ZRP Zinc-Rich Primer Coat
			CC Custom Color

NOTE: *TOP TENON SIZE AND BOTTOM TENON SIZE CAN NOT BE THE SAME SIZE