

# PRE-2-M LED Specifications

Architectural - Site - Outdoor



The Premier 2 Medium (PRE-2-M) seamlessly fuses contemporary architectural design with the next generation of high-performance LED technology. Engineered to deliver striking aesthetics and exceptional efficiency, the PRE-2-M achieves up to 50% energy savings compared to traditional HID sources while providing LED life exceeding 100,000 hours in 350mA systems—ensuring long-term performance and reduced maintenance.

Designed for precision and longevity, the PRE-2-M features a fully sealed housing with an advanced thermal management system that optimizes heat dissipation and protects critical components. Its robust construction—combining a cast aluminum housing, extruded aluminum arms, and a spun, removable aluminum top—delivers durability without compromising architectural elegance.

Each linear LED engine incorporates 17 high-performance LEDs, configurable up to 48 LEDs per fixture, offering exceptional flexibility across applications. Choose from 2700K, 3000K, 3500K, 4000K, or 5000K color temperatures and 70, 80, or 90 CRI options to create the ideal visual environment. With seventeen precision-engineered optical distributions, the PRE-2-M delivers light exactly where it belongs—enhancing safety, visual comfort, and overall site aesthetics while minimizing wasted illumination.

Highly versatile and visually refined, the PRE-2-M is the ideal lighting solution for university campuses, business parks, and pedestrian walkways, where contemporary design, performance, and sustainability are essential.

Project Name:

Catalog Number:

Type:

Date:

Location:

Visionaire Lighting products are engineered with field serviceability and environmental responsibility at the core, giving customers a smarter, longer-lasting lighting solution. Designed for efficient maintenance and simplified access to key components, our fixtures help reduce downtime, extend product life, and make in-field updates or repairs faster and more cost-effective.



LED Specifications **PRE-2-M**

MODEL	OPTICS		LEDs	CURRENT	CCT
<b>PRE-2-M</b>	<b>T1</b> Type 1	<b>T5</b> Type 5	<b>16LD</b>	<b>3</b> 350mA	<b>27K7 27K8 27K9</b> 2700K 70, 80, & 90 CRI
	<b>T2</b> Type 2	<b>T5W</b> Type 5 Wide	<b>32LD</b>	<b>5</b> 530mA	<b>30K7 30K8 30K9</b> 3000K 70, 80, & 90 CRI
	<b>T3</b> Type 3	<b>T5WW</b> Type 5 Extra Wide	<b>48LD</b>	<b>7</b> 700mA	<b>35K7 35K8 35K9</b> 3500K 70, 80, & 90 CRI
	<b>T3R</b> Type 3 Round	<b>T5LG</b> Type 5 Low Glare			<b>40K7 40K8 40K9</b> 4000K 70, 80, & 90 CRI
	<b>T3W</b> Type 3 Wide	<b>FN</b> Flood Narrow			<b>50K7 50K8 50K9</b> 5000K 70, 80, & 90 CRI
	<b>T3LG</b> Type 3 Low Glare	<b>FM</b> Flood Medium			
	<b>T4</b> Type 4	<b>FW</b> Flood Wide			
	<b>T4A</b> Type 4 Automotive				
	<b>T4FT</b> Type 4 Forward Throw				
	<b>T4LG</b> Type 4 Low Glare				

VOLTAGE	MOUNTING	FINISH	CONTROL OPTIONS	SHIELD OPTIONS	OPTIONS
<b>UNV</b> 120-277V	<b>PT</b> Post Top *Slips over 3" OD tenon X 4.5" tall as standard	<b>BZ</b> Bronze	<b>PC-120 PC-208</b> <b>PC-240 PC-277</b> Button Type Photocell	<b>CLS</b> Backside cutoff shield	<b>IR-(R, B, G)</b> Illuminated Rings (Red, Blue, Green)
<b>8</b> 347V		<b>BK</b> Black	<b>PCR-120 PCR-208</b> <b>PCR-240 PCR-277</b> <b>PCR-347 PCR-480</b> Photocell & Receptacle	<b>BHS</b> House shield	<b>BAA</b> Buy America(n) Act Compliant
<b>5</b> 480V		<b>SBK</b> Smooth Black	<b>PER</b> 3, 5, or 7 Pin Photo Receptacle w/shorting cap		<b>BABA</b> Build America Buy American
		<b>WH</b> White	<b>DIM</b> 0-10v Dimming Driver		
		<b>SWH</b> Smooth White	<b>DTO</b> Dim to Off Driver		
		<b>GP</b> Graphite	<b>D4i</b> 4Di DALI Driver		
		<b>GY</b> Grey			
		<b>SL</b> Silver Metallic	<b>WSP6-L2 WSP6-L3 WSP6-L7</b>		
		<b>GN</b> Tennis Green	8" Mounting Height    9-20" Mounting Height    21-40" Mounting Height		
		<b>FG</b> Forest Green	<b>WSC-8 WSC-20 WSC-40</b>		
		<b>ZFP</b> Zinc-Free Primer Coat	8" Mounting Height    9-20" Mounting Height    21-40" Mounting Height		
		<b>CC</b> Custom Color	*The WSC option will require (1) FSIR 100 remote for programing		
			<b>Z10 or Z18</b> Zhaga 4 Pin Receptacle		
			<b>VWC</b> Visionaire Wireless Controls *Consult Factory		

**Housing**

The PRE-2-M's housing is constructed from durable, corrosion-resistant, cast aluminum. The spun aluminum top cap is .080 gauge, and easily removable for service. Silicone gasketing is provided for complete weather and insect protection.

**Thermal Management**

The PRE-2-M provides excellent overall thermal management by maximizing the efficiency of the heat sink in the fixture. This enables the PRE-2-M to withstand higher ambient temperatures and higher drive currents without degrading LED life.

**Optical System**

- High-output LEDs are utilized in the PRE. High-performance acrylic optics feature industry leading optical distributions. Acrylic optics are impact-resistant and rated to 94 percent translucence.
- L70 life of our LEDs is rated over 100,000 hours (for 350 mA), The optical system qualifies as IES full cutoff to restrict light trespass, glare and light pollution for neighborhood-friendly lighting.
- Available with 16 IES distribution patterns.
- CRI values are 70, 80 or 90.
- CCT values are 2700K, 3000K, 3500K, 4000K, 5000K

**Quali-Guard® Finish**

- Fixture components are chemically pretreated through a multiple-stage washer, and finished with an electrostatically-applied, thermoset polyester powder coat textured paint with a 3 to 5 mils thickness.
- Finish is oven-baked at 400 °F for maximum adherence and finish hardness.
  - Available in standard and custom colors.
  - Finish is guaranteed for five (5) years.

**Post Top Mount**

The PRE-2-M contractor-friendly mounting hardware slips over 3" OD tenon X 4.5" tall as standard utilizing stainless steel hardware.

**Electrical Assembly**

- The PRE-2-M is supplied with a high-performance driver available in 350, 530 or 700mA. The driver is integrally-located in the housing, and is operational from 120 V through 480 V, 50 Hz to 60 Hz input.
- Power factor is 90%.
- Rated for -40o to 50° C operation.
- 10 kV surge protector supplied as standard.

**Warranty**

Five (5) year Limited Warranty on entire system, including finish. For full warranty information, please visit [www.visionairelighting.com](http://www.visionairelighting.com).

**Options**

- Wattstopper Plus
- Wattstopper FSP-211 Motion Sensor/Control
- Button Type Photocell
- Photocell & Receptacle
- Photo Receptacle W/Shorting Cap
- 0-10v Dimming Driver
- Dim To Off Driver
- D4i DALI Driver
- Zhaga 4 Pin Receptacle
- Visionaire Wireless Control
- Cut Off Shields
- Illuminated Rings
- BAA/BABA

**Listings**

- PRE-2-M is cUL listed
- IDA Certification
- IP66 Rated
- LM79 and LM80
- Powder Coated Tough™



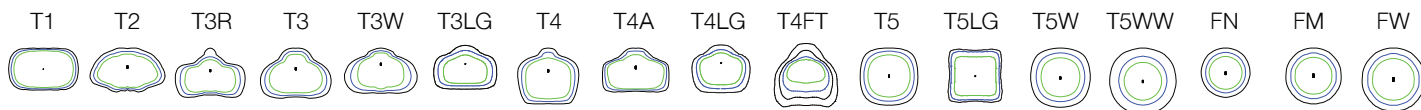
3000K or lower must be selected with a fixed mount for IDA certification.

**Light Color**

Correlated Color Temperature (CCT)



**Photometric Optical Summary**



EPA Data

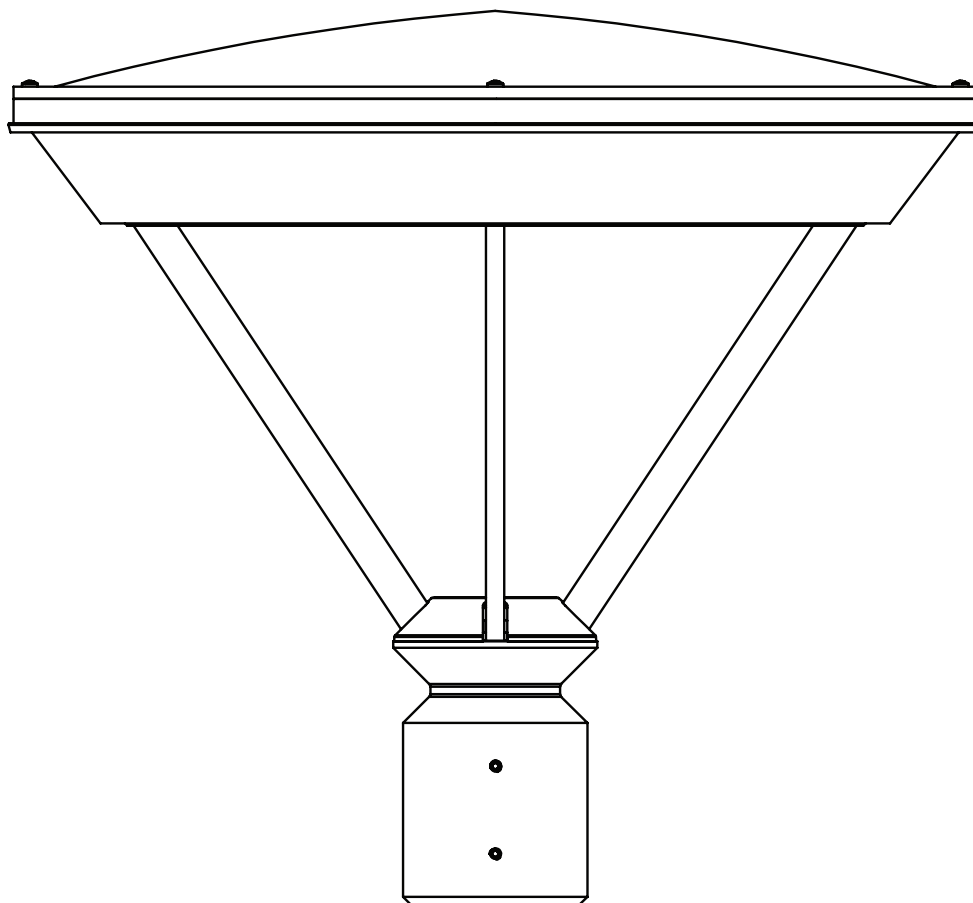
.88

**Dimensions**

**Width:** PRE-2-M 20"

**Height:** PRE-2-M 18.4"

**Weight:** 37 LBS



**WATTSTOPPER PLUS****FSP-600 Series**

The FSP-600 series by Wattstopper PLUS is an integrated luminaire level lighting controller and sensor for indoor/outdoor lighting applications that require networked wireless control. The FSP-600 is designed to integrate directly into exterior, high bay, parking garage, and general site lighting solutions. It is a passive infrared (PIR) sensor and closed loop photosensor.

The FSP-600 series design intends to reduce installer labor time and make on-site start up easy for technicians.

Once commissioned and paired to a Wattstopper PLUS network, the devices can measure both motion and daylight contribution in order to automatically switch or dim lighting. It also provides the ability to communicate to other fixtures in the space without any front-end devices.

The Wattstopper PLUS FSP-600 series is available in a few different options including: internal, external straight nipple, and external drop nipple. Sensor lens options sold separately and should be ordered based on designed mounting height and desired finish.

**FSP-621****FSP-200 Series**

The FSP-200 series sensors provide multi-level control based on motion and/or daylight contribution. They control 0-10 VDC LED drivers or dimming ballasts, as well as non-dimming ballasts and, with an FSP-Lx Lens, are rated for wet and cold locations. All control parameters are adjustable via a wireless configuration tool capable of storing and transmitting sensor profiles. The FSP-200 series is available in two different voltage configurations adding flexibility to your fixture design or project.

Typically, the sensor ramps lighting On to the selected High mode level when motion is detected and the ambient light level is below the hold off setpoint. After the sensor stops detecting movement and the time delay elapses, lights fade to the Low mode level. If there is no motion during the subsequent cut off time delay, the lights will turn Off. For dusk to dawn control, the integral photocell can switch the lights On and Off based on the ambient light level so that lighting remains on overnight even without motion detection.

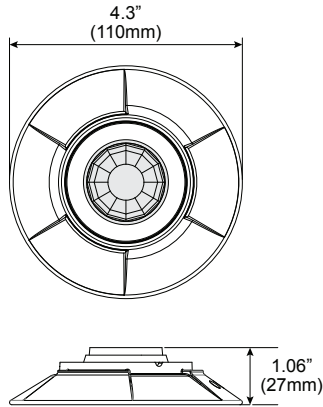
Initial setup and subsequent sensor adjustments are made using a Wireless Handheld Configuration Tool (FSIR-100). This tool enables adjustment of parameters including high and low modes, sensitivity, time delay, cut off and more. The FSIR-100 is also used to initiate automatic calibration of the FSP-2x1B ambient light level setpoint. The setpoint is used to hold the controlled lighting off or at a low level when there is sufficient daylight. The wireless tool stores up to six sensor parameter profiles to speed configuration of multiple sensors.

**FSP-211****FSP-221**

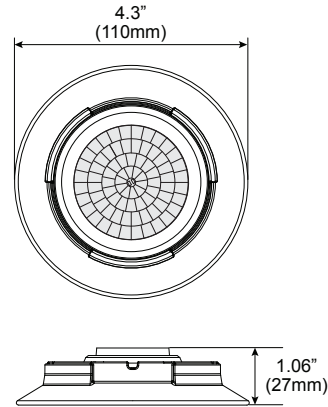
**Lens with Shroud Dimensions**

The FSP-Lx-S models include a shroud, which blocks high-angle light coming from the fixture, to improve photocell performance. With the shroud attached, the dimensions for all three lenses are identical

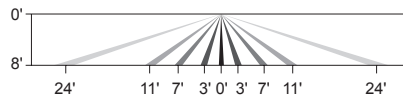
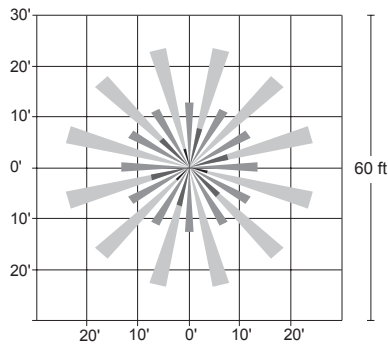
**FSP-L2-S and FSP-L3-S**



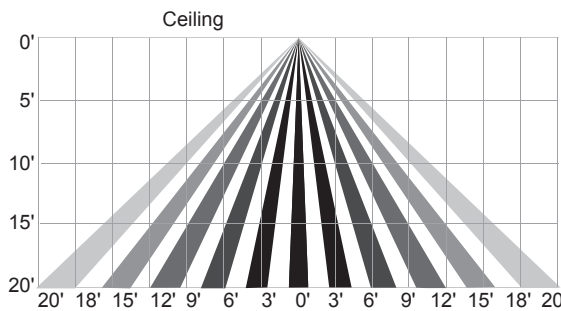
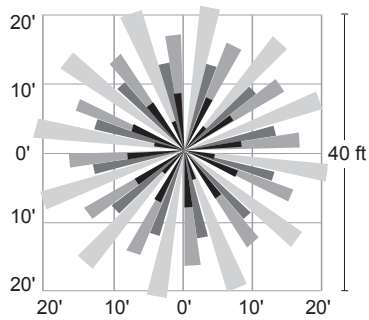
**FSP-L7-S**



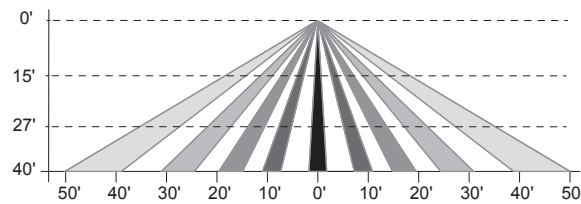
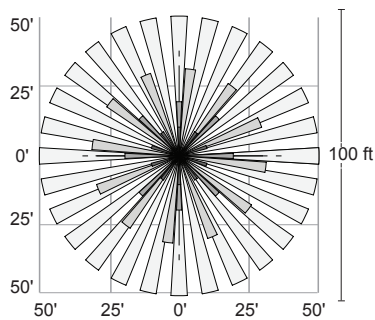
**COVERAGE**



**FSP-L2 top and side coverage patterns**



**FSP-L3 top and side coverage patterns**



**FSP-L7 top and side coverage patterns**

PREMIER 2 M - ELECTRICAL LOAD (A)							
Ordering Nomenclature	System Watts	120	208	240	277	347	480
PRE-2-M-16LD-3	16	0.13	0.08	0.07	0.06	0.05	0.03
PRE-2-M-16LD-5	25	0.21	0.12	0.10	0.09	0.07	0.05
PRE-2-M-16LD-7	34	0.28	0.16	0.14	0.12	0.10	0.07
PRE-2-M-32LD-3	33	0.28	0.16	0.14	0.12	0.10	0.07
PRE-2-M-32LD-5	51	0.43	0.25	0.21	0.18	0.15	0.11
PRE-2-M-32LD-7	68	0.57	0.33	0.28	0.25	0.20	0.14
PRE-2-M-48LD-3	49	0.41	0.24	0.20	0.18	0.14	0.10
PRE-2-M-48LD-5	76	0.63	0.37	0.32	0.27	0.22	0.16
PRE-2-M-48LD-7	105	0.88	0.50	0.44	0.38	0.30	0.22

Motion Sensor Default Settings								
High Mode	Low Mode	Time Delay	Cut Off	Sensitivity	Hold Off Setpoint	Photocell	Ramp Up Time	Fade Down Time
10V	1V	5 Minutes	1 Hour	Maximum	Disabled	Disabled	Disabled	Disabled
*Settings can be field modified with the FSIR-100 Programming remote								

LED Specifications **PRE-2-M**

PRE-2-M-LED SPECIFICATIONS / Forward Optics																													
Led Count	Current & Watts	Distribution Type	70CRI																										
			27K					30K					35K					40K					50K						
			Lumens	B	U	G	LPW	Lumens	B	U	G	LPW	Lumens	B	U	G	LPW	Lumens	B	U	G	LPW	Lumens	B	U	G	LPW		
16LD	350 mA (16.4W)	T1	2236	2	0	2	136	2333	2	0	2	142	2333	2	0	2	142	2309	2	0	2	140	2430	2	0	2	148		
		T2	2172	1	0	1	132	2266	1	0	1	138	2266	1	0	1	138	2243	1	0	1	136	2361	1	0	1	144		
		T3R	2231	1	0	1	136	2328	1	0	1	142	2328	1	0	1	142	2304	1	0	1	140	2425	1	0	1	148		
		T3	2185	1	0	1	133	2280	1	0	1	139	2280	1	0	1	139	2257	1	0	1	137	2375	1	0	1	145		
		T3W	2196	1	0	1	134	2292	1	0	1	139	2292	1	0	1	139	2268	1	0	1	138	2387	1	0	1	145		
		T3LG	2119	1	0	1	129	2211	1	0	1	135	2211	1	0	1	135	2188	1	0	1	133	2304	1	0	1	140		
		T4	2213	1	0	1	135	2309	1	0	1	141	2309	1	0	1	141	2285	1	0	1	139	2405	1	0	1	146		
		T4A	2230	1	0	1	136	2327	1	0	1	142	2327	1	0	1	142	2302	1	0	1	140	2423	1	0	1	147		
		T4LG	2091	1	0	1	127	2182	1	0	1	133	2182	1	0	1	133	2159	1	0	1	131	2272	1	0	1	138		
		T5	2297	1	0	1	140	2397	1	0	1	146	2397	1	0	1	146	2372	1	0	1	144	2497	1	0	1	152		
		T5LG	2213	1	0	1	135	2309	1	0	1	141	2309	1	0	1	141	2285	1	0	1	139	2405	1	0	1	146		
		T5W	2260	2	0	1	138	2356	2	0	1	143	2356	2	0	1	143	2333	2	0	1	142	2456	2	0	1	149		
		T5WW	2175	2	0	1	132	2270	2	0	1	138	2270	2	0	1	138	2246	2	0	1	137	2364	2	0	1	144		
		FN	2074	2	0	1	126	2164	2	0	1	132	2164	2	0	1	132	2142	2	0	1	130	2254	2	0	1	137		
		FM	2124	2	0	1	129	2216	2	0	1	135	2216	2	0	1	135	2193	2	0	1	133	2309	2	0	1	141		
		FW	2224	1	0	1	135	2320	1	0	1	141	2320	1	0	1	141	2296	1	0	1	140	2417	1	0	1	147		
		16LD	530 mA (25.3W)	T1	3309	2	0	2	131	3453	2	0	2	136	3453	2	0	2	136	3417	2	0	2	135	3597	2	0	2	142
				T2	3214	1	0	1	127	3354	1	0	2	132	3354	1	0	2	132	3319	1	0	2	131	3494	1	0	2	138
T3R	3302			1	0	1	130	3446	1	0	1	136	3446	1	0	1	136	3410	1	0	1	135	3590	1	0	2	142		
T3	3235			1	0	1	128	3375	1	0	1	133	3375	1	0	1	133	3340	1	0	1	132	3516	1	0	1	139		
T3W	3251			1	0	1	128	3392	1	0	1	134	3392	1	0	1	134	3357	1	0	1	132	3533	1	0	1	139		
T3LG	3137			1	0	1	124	3273	1	0	1	129	3273	1	0	1	129	3239	1	0	1	128	3409	1	0	1	135		
T4	3275			1	0	1	129	3417	1	0	1	135	3417	1	0	1	135	3382	1	0	1	133	3560	1	0	1	140		
T4A	3300			1	0	1	130	3443	1	0	1	136	3443	1	0	1	136	3408	1	0	1	134	3587	1	0	1	142		
T4LG	3094			1	0	1	122	3229	1	0	1	127	3229	1	0	1	127	3195	1	0	1	126	3363	1	0	1	133		
T5	3400			2	0	1	134	3547	2	0	1	140	3547	2	0	1	140	3510	2	0	1	139	3695	2	0	1	146		
T5LG	3275			2	0	1	129	3417	2	0	1	135	3417	2	0	1	135	3382	2	0	1	133	3560	2	0	1	140		
T5W	3345			2	0	1	132	3490	2	0	1	138	3490	2	0	1	138	3454	2	0	1	136	3635	2	0	1	143		
T5WW	3219			2	0	1	127	3359	2	0	1	133	3359	2	0	1	133	3324	2	0	1	131	3499	3	0	1	138		
FN	3070			2	0	1	121	3203	2	0	1	126	3203	2	0	1	126	3170	2	0	1	125	3337	2	0	1	132		
FM	3144			2	0	1	124	3280	2	0	1	129	3280	2	0	1	129	3246	2	0	1	128	3417	2	0	1	135		
FW	3291			2	0	1	130	3434	2	0	1	136	3434	2	0	1	136	3399	2	0	1	134	3578	2	0	1	141		
16LD	700 mA (34.0W)			T1	4289	3	0	3	126	4476	3	0	3	132	4476	3	0	3	132	4429	3	0	3	130	4662	3	0	3	137
				T2	4166	1	0	2	123	4347	1	0	2	128	4347	1	0	2	128	4302	1	0	2	127	4529	1	0	2	133
		T3R	4280	1	0	2	126	4467	1	0	2	131	4467	1	0	2	131	4420	1	0	2	130	4653	1	0	2	137		
		T3	4193	1	0	1	123	4375	1	0	1	129	4375	1	0	1	129	4329	1	0	1	127	4557	1	0	1	134		
		T3W	4213	1	0	1	124	4397	1	0	1	129	4397	1	0	1	129	4351	1	0	1	128	4580	1	0	2	135		
		T3LG	4066	1	0	1	120	4242	1	0	1	125	4242	1	0	1	125	4198	1	0	1	124	4419	1	0	1	130		
		T4	4245	1	0	1	125	4429	1	0	1	130	4429	1	0	1	130	4383	1	0	1	129	4614	1	0	1	136		
		T4A	4277	1	0	1	126	4463	1	0	1	131	4463	1	0	1	131	4417	1	0	1	130	4649	1	0	1	137		
		T4LG	4011	1	0	1	118	4185	1	0	1	123	4185	1	0	1	123	4142	1	0	1	122	4360	1	0	1	128		
		T5	4406	2	0	1	130	4598	2	0	1	135	4598	2	0	1	135	4550	2	0	1	134	4790	2	0	1	141		
		T5LG	4245	2	0	1	125	4429	2	0	1	130	4429	2	0	1	130	4383	2	0	1	129	4614	2	0	1	136		
		T5W	4335	3	0	1	128	4524	3	0	1	133	4524	3	0	1	133	4477	3	0	1	132	4712	3	0	1	139		
		T5WW	4173	3	0	1	123	4354	3	0	1	128	4354	3	0	1	128	4309	3	0	1	127	4536	3	0	1	134		
		FN	3979	2	0	1	117	4152	3	0	1	122	4152	3	0	1	122	4109	3	0	1	121	4325	3	0	1	127		
		FM	4075	3	0	1	120	4252	3	0	1	125	4252	3	0	1	125	4208	3	0	1	124	4429	3	0	1	130		
		FW	4266	2	0	1	126	4452	2	0	1	131	4452	2	0	1	131	4405	2	0	1	130	4637	2	0	1	137		

CRI Multiplier		
70 to 80 CRI	2700K, 3000K, 3500K, 4000K	500K
70 to 90 CRI	0.91	0.88
	0.7	0.77

LED Specifications **PRE-2-M**

PRE-2-M-LED SPECIFICATIONS / Forward Optics																													
Led Count	Current & Watts	Distribution Type	70CRI																										
			27K					30K					35K					40K					50K						
			Lumens	B	U	G	LPW	Lumens	B	U	G	LPW	Lumens	B	U	G	LPW	Lumens	B	U	G	LPW	Lumens	B	U	G	LPW		
32LD	350 mA (32.9W)	T1	4449	3	0	3	135	4643	3	0	3	141	4643	3	0	3	141	4594	3	0	3	140	4836	3	0	3	147		
		T2	4322	1	0	2	132	4510	1	0	2	137	4510	1	0	2	137	4463	1	0	2	136	4698	1	0	2	143		
		T3R	4440	1	0	2	135	4634	1	0	2	141	4634	1	0	2	141	4585	1	0	2	140	4827	1	0	2	147		
		T3	4349	1	0	1	132	4538	1	0	1	136	4538	1	0	1	138	4491	1	0	1	137	4727	1	0	1	144		
		T3W	4371	1	0	1	133	4561	1	0	2	139	4561	1	0	2	139	4513	1	0	2	137	4751	1	0	2	145		
		T3LG	4218	1	0	1	128	4401	1	0	1	134	4401	1	0	1	134	4355	1	0	1	133	4584	1	0	1	139		
		T4	4403	1	0	1	134	4595	1	0	1	140	4595	1	0	1	140	4547	1	0	1	138	4786	2	0	2	146		
		T4A	4437	1	0	1	135	4630	1	0	1	141	4630	1	0	1	141	4582	1	0	1	139	4823	1	0	1	147		
		T4LG	4161	1	0	1	127	4342	1	0	1	132	4342	1	0	1	132	4296	1	0	1	131	4522	1	0	1	138		
		T5	4571	2	0	1	139	4770	2	0	1	145	4770	2	0	1	145	4720	2	0	1	144	4969	2	0	1	151		
		T5LG	4404	2	0	1	134	4595	2	0	1	140	4595	2	0	1	140	4547	2	0	1	138	4786	2	0	1	146		
		T5W	4497	3	0	1	137	4693	3	0	1	143	4693	3	0	1	143	4644	3	0	1	141	4888	3	0	1	149		
		T5WW	4329	3	0	1	132	4517	3	0	1	137	4517	3	0	1	137	4470	3	0	1	136	4705	3	0	1	143		
		FN	4128	3	0	1	126	4307	3	0	1	131	4307	3	0	1	131	4262	3	0	1	130	4486	3	0	1	137		
		FM	4227	3	0	1	129	4411	3	0	1	134	4411	3	0	1	134	4365	3	0	1	133	4595	3	0	1	140		
		FW	4426	2	0	1	135	4618	2	0	1	141	4618	2	0	1	141	4570	2	0	1	139	4810	2	0	1	146		
		32LD	530 mA (50.7W)	T1	6585	3	0	3	130	6872	3	0	3	136	6872	3	0	3	136	6800	3	0	3	134	7158	3	0	3	141
				T2	6397	2	0	2	126	6675	2	0	2	132	6675	2	0	2	132	6605	2	0	2	130	6953	2	0	2	137
T3R	6572			2	0	2	130	6858	2	0	2	135	6858	2	0	2	135	6786	2	0	2	134	7144	2	0	2	141		
T3	6437			1	0	2	127	6717	1	0	2	133	6717	1	0	2	133	6647	1	0	2	131	6997	1	0	2	138		
T3W	6469			1	0	2	128	6750	1	0	2	133	6750	1	0	2	133	6680	1	0	2	132	7032	1	0	2	139		
T3LG	6242			1	0	1	123	6514	1	0	1	129	6514	1	0	1	129	6446	1	0	1	127	6785	2	0	2	134		
T4	6517			2	0	2	129	6801	2	0	2	134	6801	2	0	2	134	6730	2	0	2	133	7084	2	0	2	140		
T4A	6567			1	0	1	130	6853	1	0	1	135	6853	1	0	1	135	6781	1	0	1	134	7138	1	0	1	141		
T4LG	6158			1	0	1	121	6426	1	0	1	127	6426	1	0	1	127	6359	1	0	1	125	6693	1	0	2	132		
T5	6766			3	0	1	133	7060	3	0	1	139	7060	3	0	1	139	6986	3	0	1	138	7354	3	0	1	145		
T5LG	6517			3	0	1	129	6801	3	0	1	134	6801	3	0	1	134	6730	3	0	1	133	7084	3	0	1	140		
T5W	6656			3	0	1	131	6946	3	0	2	137	6946	3	0	2	137	6873	3	0	1	136	7235	3	0	2	143		
T5WW	6407			3	0	2	126	6686	3	0	2	132	6686	3	0	2	132	6616	3	0	2	131	6964	3	0	2	137		
FN	6109			3	0	1	121	6375	3	0	1	126	6375	3	0	1	126	6308	3	0	1	124	6640	3	0	1	131		
FM	6256			3	0	1	123	6528	3	0	1	129	6528	3	0	1	129	6460	3	0	1	127	6800	3	0	1	134		
FW	6550			2	0	1	129	6835	2	0	1	135	6835	2	0	1	135	6764	2	0	1	133	7120	2	0	1	140		
32LD	700 mA (67.9W)			T1	8536	3	0	3	126	8907	3	0	3	131	8907	3	0	3	131	8814	3	0	3	130	9278	3	0	3	137
				T2	8291	2	0	3	122	8652	2	0	3	127	8652	2	0	3	127	8562	2	0	3	126	9012	2	0	3	133
		T3R	8519	2	0	3	125	8889	2	0	3	131	8889	2	0	3	131	8796	2	0	3	129	9259	2	0	3	136		
		T3	8344	2	0	2	123	8706	2	0	2	128	8706	2	0	2	128	8616	2	0	2	127	9069	2	0	2	133		
		T3W	8385	2	0	2	123	8750	2	0	2	129	8750	2	0	2	129	8659	2	0	2	127	9114	2	0	2	134		
		T3LG	8091	2	0	2	119	8443	2	0	2	124	8443	2	0	2	124	8355	2	0	2	123	8794	2	0	2	129		
		T4	8448	2	0	2	124	8815	2	0	2	130	8815	2	0	2	130	8723	2	0	2	128	9182	2	0	2	135		
		T4A	8512	2	0	1	125	8882	2	0	2	131	8882	2	0	2	131	8790	2	0	2	129	9252	2	0	2	136		
		T4LG	7982	2	0	2	117	8329	2	0	2	123	8329	2	0	2	123	8242	2	0	2	121	8676	2	0	2	128		
		T5	8769	3	0	1	129	9151	3	0	2	135	9151	3	0	2	135	9055	3	0	2	133	9532	3	0	2	140		
		T5LG	8448	3	0	1	124	8815	3	0	1	130	8815	3	0	1	130	8723	3	0	1	128	9182	3	0	1	135		
		T5W	8628	3	0	2	127	9003	3	0	2	133	9003	3	0	2	133	8909	3	0	2	131	9378	3	0	2	138		
		T5WW	8305	3	0	2	122	8666	4	0	2	128	8666	4	0	2	128	8576	4	0	2	126	9027	4	0	2	133		
		FN	7918	3	0	1	117	8263	3	0	2	122	8263	3	0	2	122	8177	3	0	2	120	8607	3	0	2	127		
		FM	8109	3	0	1	119	8462	3	0	2	125	8462	3	0	2	125	8374	3	0	1	123	8815	3	0	2	130		
		FW	8490	3	0	1	125	8859	3	0	1	130	8859	3	0	1	130	8767	3	0	1	129	9228	3	0	1	136		

CRI Multiplier		
70 to 80 CRI	2700K, 3000K, 3500K, 4000K	500K
70 to 90 CRI	0.91	0.88
	0.7	0.77

PRE-2-M-LED SPECIFICATIONS / Forward Optics																													
Led Count	Current & Watts	Distribution Type	70CRI																										
			27K					30K					35K					40K					50K						
			Lumens	B	U	G	LPW	Lumens	B	U	G	LPW	Lumens	B	U	G	LPW	Lumens	B	U	G	LPW	Lumens	B	U	G	LPW		
48LD	350 mA (49.3W)	T1	6641	3	0	3	135	6930	3	0	3	141	6930	3	0	3	141	6657	3	0	3	139	7218	3	0	3	146		
		T2	6451	2	0	2	131	6731	2	0	2	137	6731	2	0	2	137	6661	2	0	2	135	7012	2	0	2	142		
		T3R	6628	2	0	2	134	6916	2	0	2	140	6916	2	0	2	140	6844	2	0	2	139	7204	2	0	2	146		
		T3	6491	1	0	2	132	6774	1	0	2	137	6774	1	0	2	137	6703	1	0	2	136	7056	1	0	2	143		
		T3W	6524	1	0	2	132	6807	1	0	2	138	6807	1	0	2	138	6736	1	0	2	137	7091	1	0	2	144		
		T3LG	6295	1	0	1	128	6569	1	0	1	133	6569	1	0	1	133	6500	1	0	1	132	6842	2	0	2	139		
		T4	6572	2	0	2	133	6858	2	0	2	139	6858	2	0	2	139	6787	2	0	2	138	7144	2	0	2	145		
		T4A	6623	1	0	1	134	6910	1	0	1	140	6910	1	0	1	140	6839	1	0	1	139	7198	1	0	1	146		
		T4LG	6210	1	0	1	126	6480	1	0	1	131	6480	1	0	1	131	6412	1	0	1	130	6750	1	0	2	137		
		T5	6823	3	0	1	138	7119	3	0	1	144	7119	3	0	1	144	7045	3	0	1	143	7416	3	0	1	150		
		T5LG	6572	3	0	1	133	6858	3	0	1	139	6858	3	0	1	139	6787	3	0	1	138	7144	3	0	1	145		
		T5W	6712	3	0	1	136	7004	3	0	2	142	7004	3	0	2	142	6931	3	0	2	141	7296	3	0	2	148		
		T5WW	6461	3	0	2	131	6742	3	0	2	137	6742	3	0	2	137	6672	3	0	2	135	7023	3	0	2	142		
		FN	6161	3	0	1	125	6428	3	0	1	130	6428	3	0	1	130	6361	3	0	1	129	6696	3	0	1	136		
		FM	6309	3	0	1	128	6584	3	0	1	134	6584	3	0	1	134	6515	3	0	1	132	6858	3	0	1	139		
		FW	6605	2	0	1	134	6892	2	0	1	140	6892	2	0	1	140	6821	2	0	1	138	7180	2	0	1	146		
		48LD	530 mA (76.0W)	T1	9829	4	0	4	129	10256	4	0	4	135	10256	4	0	4	135	10149	4	0	4	133	10683	4	0	4	141
				T2	9547	2	0	3	126	9963	3	0	3	131	9963	3	0	3	131	9859	3	0	3	130	10378	3	0	3	136
T3R	9809			2	0	3	129	10236	3	0	3	135	10236	3	0	3	135	10129	3	0	3	133	10662	3	0	3	140		
T3	9608			2	0	2	126	10025	2	0	2	132	10025	2	0	2	132	9921	2	0	2	130	10443	2	0	2	137		
T3W	9655			2	0	2	127	10075	2	0	2	133	10075	2	0	2	133	9970	2	0	2	131	10495	2	0	3	138		
T3LG	9317			2	0	2	123	9722	2	0	2	128	9722	2	0	2	128	9620	2	0	2	127	10127	2	0	2	133		
T4	9727			3	0	3	128	10150	3	0	3	133	10150	3	0	3	133	10044	3	0	3	132	10573	3	0	3	139		
T4A	9602			2	0	2	129	10228	2	0	2	135	10228	2	0	2	135	10121	2	0	2	133	10654	2	0	2	140		
T4LG	9191			2	0	2	121	9591	2	0	2	126	9591	2	0	2	126	9491	2	0	2	125	9990	2	0	2	131		
T5	10098			3	0	2	133	10537	3	0	2	139	10537	3	0	2	139	10427	3	0	2	137	10976	3	0	2	144		
T5LG	9728			3	0	2	128	10151	3	0	2	134	10151	3	0	2	134	10045	3	0	2	132	10573	3	0	2	139		
T5W	9934			4	0	2	131	10366	4	0	2	136	10366	4	0	2	136	10258	4	0	2	135	10798	4	0	2	142		
T5WW	9563			4	0	2	126	9979	4	0	2	131	9979	4	0	2	131	9875	4	0	2	130	10394	4	0	2	137		
FN	9118			3	0	2	120	9514	3	0	2	125	9514	3	0	2	125	9415	3	0	2	124	9911	3	0	2	130		
FM	9338			3	0	2	123	9744	3	0	2	128	9744	3	0	2	128	9642	3	0	2	127	10150	4	0	2	133		
FW	9776			3	0	1	129	10201	3	0	1	134	10201	3	0	1	134	10095	3	0	1	133	10626	3	0	1	140		
48LD	700 mA (101.9W)			T1	12740	4	0	4	125	13294	4	0	4	130	13294	4	0	4	130	13155	4	0	4	129	13848	4	0	4	136
				T2	12375	3	0	3	121	12913	3	0	3	127	12913	3	0	3	127	12779	3	0	3	125	13451	3	0	3	132
		T3R	12714	3	0	3	125	13267	3	0	3	130	13267	3	0	3	130	13129	3	0	3	129	13820	3	0	3	136		
		T3	12453	2	0	2	122	12995	2	0	2	128	12995	2	0	2	128	12859	2	0	2	126	13536	2	0	3	133		
		T3W	12515	2	0	3	123	13059	2	0	3	128	13059	2	0	3	128	12923	2	0	3	127	13603	2	0	3	133		
		T3LG	12076	2	0	2	118	12601	2	0	2	124	12601	2	0	2	124	12470	2	0	2	122	13126	2	0	2	129		
		T4	12608	3	0	3	124	13156	3	0	3	129	13156	3	0	3	129	13019	3	0	3	128	13705	3	0	3	134		
		T4A	12705	2	0	2	125	13257	2	0	2	130	13257	2	0	2	130	13119	2	0	2	129	13810	2	0	2	136		
		T4LG	11913	2	0	2	117	12431	2	0	2	122	12431	2	0	2	122	12302	2	0	2	121	12949	2	0	2	127		
		T5	13089	4	0	2	128	13658	4	0	2	134	13658	4	0	2	134	13515	4	0	2	133	14227	4	0	2	140		
		T5LG	12609	3	0	2	124	13157	4	0	2	129	13157	4	0	2	129	13020	3	0	2	128	13705	4	0	2	134		
		T5W	12877	4	0	2	126	13437	4	0	2	132	13437	4	0	2	132	13297	4	0	2	130	13997	4	0	2	137		
		T5WW	12395	4	0	2	122	12934	4	0	2	127	12934	4	0	2	127	12799	4	0	2	126	13473	4	0	2	132		
		FN	11818	4	0	2	116	12332	4	0	2	121	12332	4	0	2	121	12204	4	0	2	120	12846	4	0	2	126		
		FM	12104	4	0	2	119	12630	4	0	2	124	12630	4	0	2	124	12498	4	0	2	123	13156	4	0	2	129		
		FW	12672	3	0	1	124	13223	3	0	1	130	13223	3	0	1	130	13085	3	0	1	128	13774	3	0	1	135		

CRI Multiplier		
70 to 80 CRI	2700K, 3000K, 3500K, 4000K	500K
70 to 90 CRI	0.91	0.88
	0.7	0.77