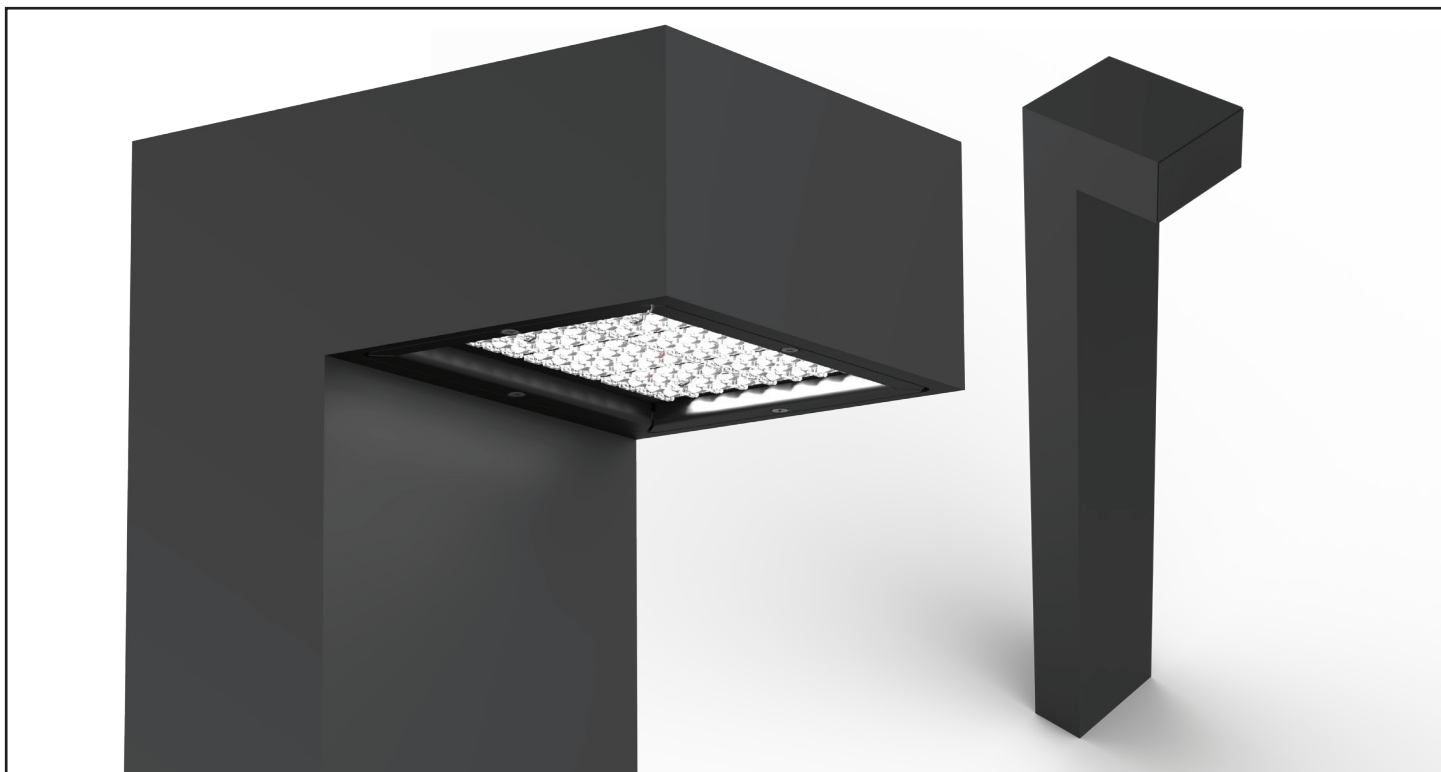


# VOKEY BOLLARD LED Specifications

Architectural - Site - Outdoor



The Vokey Bollard Series extends the distinctive contemporary design of the Vokey Archline Collection into a refined, low-level lighting solution that brings modern architectural character to pedestrian spaces. With its sleek profile and clean lines, it enhances pathways, plazas, courtyards, and landscape settings with a sophisticated visual presence.

Engineered for both performance and versatility, the Vokey Bollard LED Series offers a wattage range of 20W to 60W and features ten optical distribution patterns for precise, application-specific light control. Designers can also select from 2700K, 3000K, 3500K, 4000K, or 5000K color temperatures to achieve the ideal balance of warmth, clarity, and visual comfort.

With integrated controls, the Vokey Bollard is designed to provide efficient illumination while supporting reduced energy consumption and dependable performance. Its combination of advanced lighting technology and architectural styling makes it a smart solution for projects where aesthetics and functionality must work together seamlessly.

A durable polyester powder-coat finish, backed by a five-year guarantee, is available in both standard and custom colors for seamless integration with a wide range of design palettes. The Vokey Bollard LED Series is an exceptional choice for architectural area lighting applications where contemporary design, performance, and long-term durability are essential.

Project Name:
---------------

Catalog Number:
-----------------

Type:
-------

Date:
-------

Location:
-----------

Visionaire Lighting products are engineered with field serviceability and environmental responsibility at the core, giving customers a smarter, longer-lasting lighting solution. Designed for efficient maintenance and simplified access to key components, our fixtures help reduce downtime, extend product life, and make in-field updates or repairs faster and more cost-effective.



LED Specifications **VOKEY BOLLARD**

MODEL	OPTICS		WATTS	CCT	VOLTAGE
<b>VKB-1</b>	<b>T1</b> Type 1	<b>T5SR</b> Type 5 Square Round	<b>20</b>	<b>27K7 27K8 27K9</b> 2700K 70, 80, & 90 CRI	<b>UNV</b> 120-277V
<b>VKB-1MS</b> With Motion Sensor	<b>T2</b> Type 2	<b>T5LR</b> Type 5 Long Round	<b>30</b>	<b>30K7 30K8 30K9</b> 3000K 70, 80, & 90 CRI	
	<b>T3</b> Type 3	<b>T5LS</b> Type 5 Long Square	<b>40</b>	<b>35K7 35K8 35K9</b> 3500K 70, 80, & 90 CRI	
	<b>T3L</b> Type 3 Long		<b>50</b>	<b>40K7 40K8 40K9</b> 4000K 70, 80, & 90 CRI	
	<b>T4</b> Type 4		<b>60</b>	<b>50K7 50K8 50K9</b> 5000K 70, 80, & 90 CRI	
	<b>T4A</b> Type 4 Automotive				
	<b>T4L</b> Type 4 Long				

CONFIGURATION	POLE HEIGHT	FINISH	CONTROL OPTIONS	SHIELD OPTIONS	OPTIONS
<b>SNG</b> Single	<b>2.5</b> 2 feet 6 inches	<b>BZ</b> Bronze	<b>PC-120 - PC-208</b> <b>PC-240 - PC-277</b> Button Type Photocell	<b>CLS</b> Backside cutoff shield	<b>ROT-R</b> Rotated Optics Right Side
<b>D180</b> Double	<b>3</b> 3 feet	<b>BK</b> Black	<b>DIM</b> 0-10v Dimming Driver	<b>RCLS</b> Rightside cutoff shield	<b>ROT-L</b> Rotated Optics Left Side
	<b>3.5</b> 3 feet 6 inches	<b>SBK</b> Smooth Black	<b>DTO</b> Dim to Off Driver	<b>LCLS</b> Leftside cutoff shield	<b>GFI</b> GFI Receptacle *Standard location is in hand hole. *Specify GFI location if different from hand hole location. Supplied with in use cover.
	<b>4</b> 4 feet	<b>WH</b> White	<b>D4i</b> D4i DALI Driver	<b>BHS</b> House shield	<b>USB</b> USB Receptacle *Specify location. Supplied with in use cover.
	<b>5</b> 5 feet	<b>SWH</b> Smooth White	<b>WSP6-L2 WSP6-L3 WSP6-L7</b> 8' Mounting Height    9-20' Mounting Height    21-40' Mounting Height		<b>BBG</b> Bird Spikes
	<b>6</b> 6 feet	<b>GP</b> Graphite	<b>WSC-8 WSC-20 WSC-40</b> 8' Mounting Height    9-20' Mounting Height    21-40' Mounting Height		<b>AB34</b> Anchor Base (Anchor Bolt Kit Included)
	<b>7</b> 7 feet	<b>GY</b> Grey	*The WSC option will require (1) FSIR 100 remote for programming		<b>CBC</b> Cast Base Cover
	<b>8</b> 8 feet	<b>SL</b> Silver Metallic	<b>Z10 or Z18</b> Zhaga 4 Pin Receptacle		<b>BAA</b> Buy America(n) Act Compliant
	<b>9</b> 9 feet	<b>ZFP</b> Zinc-Free Marine Grade Primer Coat	<b>VWC</b> Visionaire Wireless Control		<b>BABA</b> Build America Buy American
	<b>10</b> 10 feet	<b>CC</b> Custom Color			
	<b>11</b> 11 feet				
	<b>12</b> 12 feet				

LED Specifications **VOKEY BOLLARD****Housing**

The 4" x 8" extruded pole contains the driver(s), allowing for cooler operation and longer life. Silicone gasketing is utilized throughout the fixture for weather tight operation.

**Heatsink**

A precision-engineered aluminum heatsink designed to optimize thermal management, improve system efficiency, and support long-term LED performance and reliability.

**Construction**

Extruded aluminum driver compartment utilizes stainless steel hardware and sealed with one-piece silicone gaskets.

**Thermal Management**

The VKB-1 provides excellent thermal management by mounting the LEDs to the substantial heat sink. This enables the Luminaire to withstand higher ambient temperatures and driver currents without degrading LED life.

The L70 test determines the point in an LEDs life when it reaches 70 percent of its initial output. The VKB-1 LEDs have been determined to last 100,000+ hours in 25° C environments when driven at 350 mA

**Optical System**

The highest lumen output, LEDs are utilized in the Vokey Bollard Series. Eight IES distribution Types are available.

- CRI values of 70, 80 or 90.
- CCT values are 2700K, 3000K, 3500K, 4000K, 5000K

**Quali-Guard® Finish**

The finish is a Quali-Guard® textured, chemically pretreated through a multiple-stage washer, electrostatically applied, thermoset polyester powder coat finish, with a minimum of 3-5 mils thickness. Finish is oven-baked at 400 °F to promote maximum adherence and finish hardness.

- All finishes are available in standard and custom colors.
- Optional Zinc-Free Primer - Recommended within three miles of the ocean
- Finish is guaranteed for five (5) years.

**Electrical Assembly**

The VKB-1 is supplied with a choice of 20 to 60 Watt high-performance LED drivers, that accept 120v thru 277v, 50 Hz to 60 Hz, input.

- Rated for -40 °C to +55 °C operations.
- Power factor of 90%.
- THD less than or equal to 20%
- 10 kV surge protector supplied as standard.
- 0-10v Dimming Driver supplied as standard.

**Warranty**

Five (5) year Limited Warranty on entire system, including finish. For full warranty information, please visit [visionairelighting.com](http://visionairelighting.com).

**Options**

- Wattstopper Plus
- Wattstopper FSP-211 Motion Sensor/Control
- 0-10V Dimming Driver
- Dim To Off Driver
- D4i DALI Driver
- Back House Shield
- Cut-Off Louver Shield
- Zhaga 4 Pin Receptacle
- Rotated Optics
- GFI Receptacle
- USB Receptacle
- Bird Spikes
- Anchor Base
- Cast Base Cover
- BAA / BABA

**Listings**

- The VKB-1 is cUL Pending
- IP66 Rated
- ANSI
- RoHS Compliant
- Powder Coated Tough



3000K or lower must be selected with a fixed mount for IDA certification.  
Fixed mount must be selected for IDA dark sky certification.

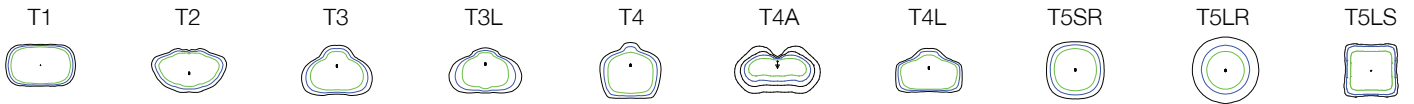
**Light Color**

Correlated Color Temperature (CCT)



LED Specifications **VOKEY BOLLARD**

**Photometric Optical Summary**

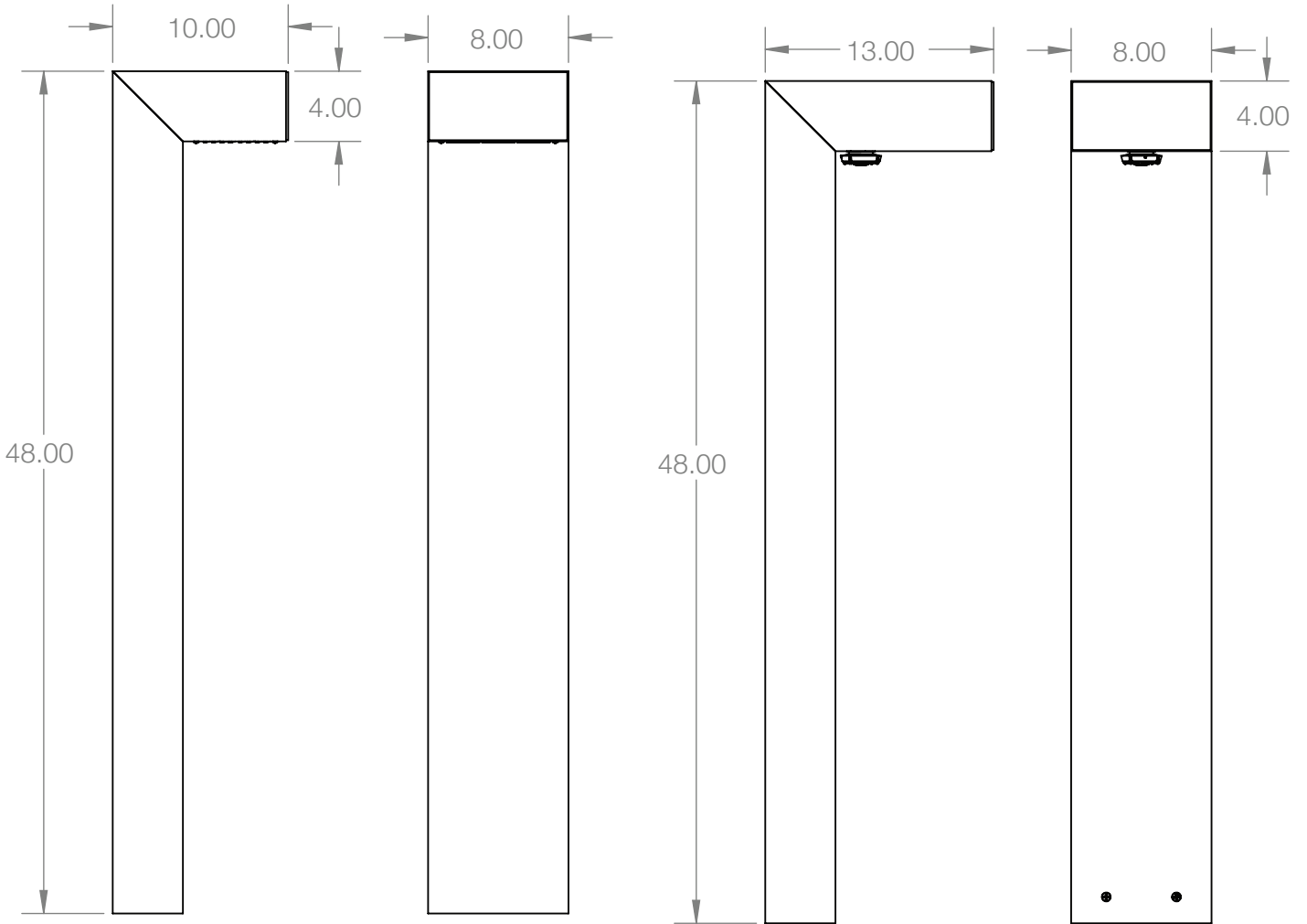


**Standard Dimensions**

<b>Width:</b>	VKB-1 8"
<b>Depth:</b>	VKB-1 10"
<b>Height:</b>	VKB-1 4"
<b>Weight:</b>	35 LBS

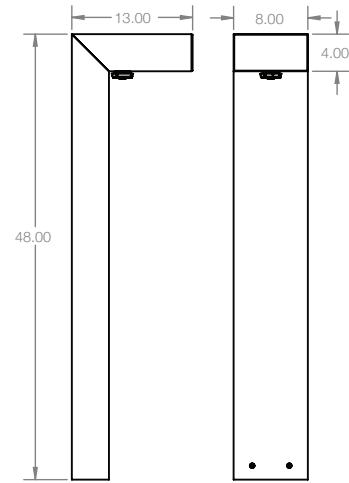
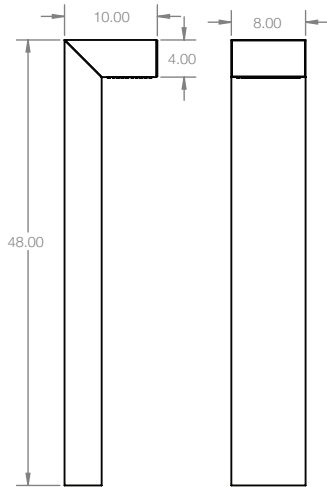
**Motion Sensor Dimensions**

<b>Width:</b>	VKB-1 8"
<b>Depth:</b>	VKB-1 13"
<b>Height:</b>	VKB-1 4"
<b>Weight:</b>	35 LBS



# LED Specifications VOKEY BOLLARD

## VKB EPA DATA



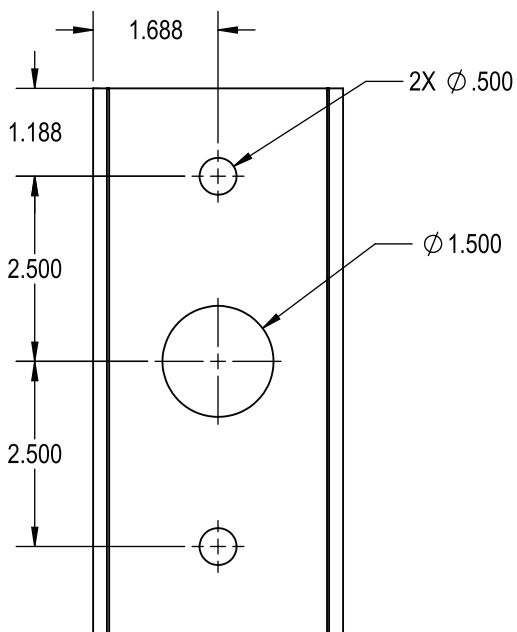
SINGLE		
HEIGHT	AREA	EPA
2.5	1.0138	1.2165
3	1.1804	1.4165
3.5	1.3471	1.6165
4	1.5138	1.8165
5	1.8471	2.2165
6	2.1804	2.6165
7	2.5138	3.0165
8	2.8471	3.4165
9	3.1804	3.8165
10	3.5138	4.2165
11	3.8471	4.6165
12	4.1804	5.0165

SINGLE MS		
HEIGHT	AREA	EPA
2.5	1.0834	1.3000
3	1.2500	1.5000
3.5	1.4167	1.7000
4	1.5834	1.9000
5	1.9167	2.3000
6	2.2500	2.7000
7	2.5834	3.1000
8	2.9167	3.5000
9	3.2500	3.9000
10	3.5834	4.3000
11	3.9167	4.7000
12	4.2500	5.1000

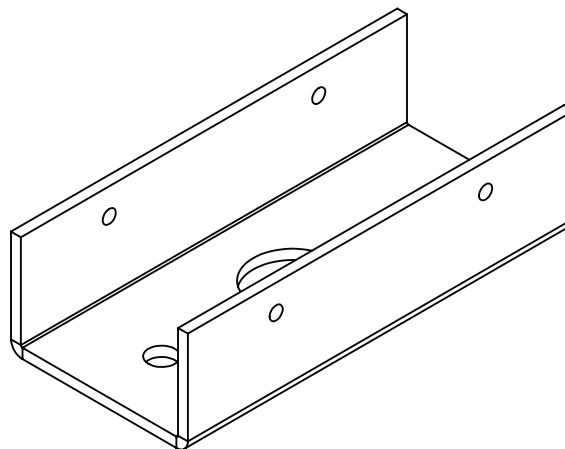
D180		
HEIGHT	AREA	EPA
2.5	1.1942	1.4331
3	1.3609	1.6331
3.5	1.5276	1.8331
4	1.5138	1.8165
5	2.0276	2.4331
6	2.3609	2.8331
7	2.6942	3.2331
8	3.0276	3.6331
9	0.3608	0.4330
10	3.6942	4.4331
11	4.0276	4.8331
12	4.3609	5.2331

D180		
HEIGHT	AREA	EPA
2.5	1.3334	1.6001
3	1.5001	1.8001
3.5	1.6667	2.0001
4	1.8334	2.2001
5	2.1667	2.6001
6	2.5001	3.0001
7	2.8334	3.4001
8	3.1667	3.8001
9	3.5001	4.2001
10	3.8334	4.6001
11	4.1667	5.0001
12	4.5001	5.4001

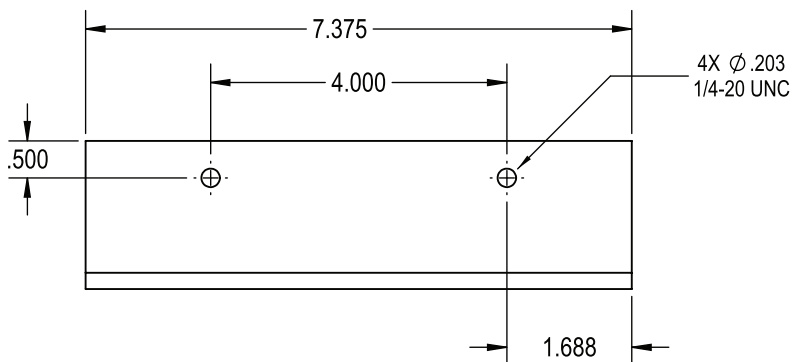
VKB-1 Standard Mounting Bracket



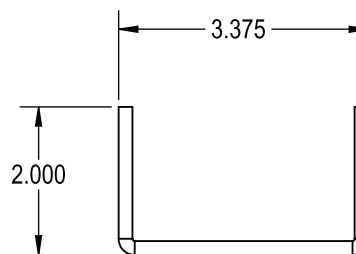
TOP VIEW



ISOMETRIC VIEW



LEFT VIEW



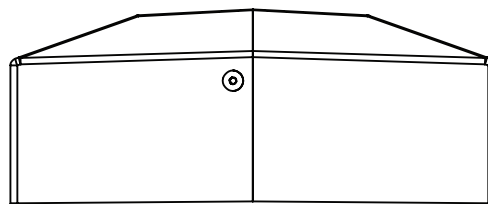
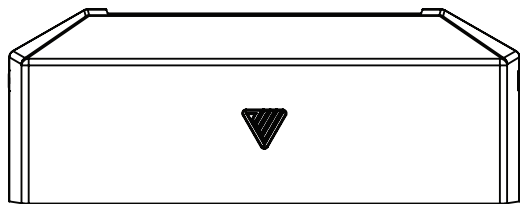
FRONT VIEW

## LED Specifications **VOKEY BOLLARD**

---

### OPTIONAL CAST BASE COVER (CBC)

- Standard with Anchore Base (AB34)



---

### ANCHOR BASE (AB34)

- Optional 2 1/2' - 9'
- Standard 10' and above.
- Anchor Bolt Kit Included.



**WATTSTOPPER PLUS****FSP-600 Series**

The FSP-600 series by Wattstopper PLUS is an integrated luminaire level lighting controller and sensor for indoor/outdoor lighting applications that require networked wireless control. The FSP-600 is designed to integrate directly into exterior, high bay, parking garage, and general site lighting solutions. It is a passive infrared (PIR) sensor and closed loop photosensor.

The FSP-600 series design intends to reduce installer labor time and make on-site start up easy for technicians.

Once commissioned and paired to a Wattstopper PLUS network, the devices can measure both motion and daylight contribution in order to automatically switch or dim lighting. It also provides the ability to communicate to other fixtures in the space without any front-end devices.

The Wattstopper PLUS FSP-600 series is available in a few different options including: internal, external straight nipple, and external drop nipple. Sensor lens options sold separately and should be ordered based on designed mounting height and desired finish.

**FSP-621****FSP-200 Series**

The FSP-200 series sensors provide multi-level control based on motion and/or daylight contribution. They control 0-10 VDC LED drivers or dimming ballasts, as well as non-dimming ballasts and, with an FSP-Lx Lens, are rated for wet and cold locations. All control parameters are adjustable via a wireless configuration tool capable of storing and transmitting sensor profiles. The FSP-200 series is available in two different voltage configurations adding flexibility to your fixture design or project.

Typically, the sensor ramps lighting On to the selected High mode level when motion is detected and the ambient light level is below the hold off setpoint. After the sensor stops detecting movement and the time delay elapses, lights fade to the Low mode level. If there is no motion during the subsequent cut off time delay, the lights will turn Off. For dusk to dawn control, the integral photocell can switch the lights On and Off based on the ambient light level so that lighting remains on overnight even without motion detection.

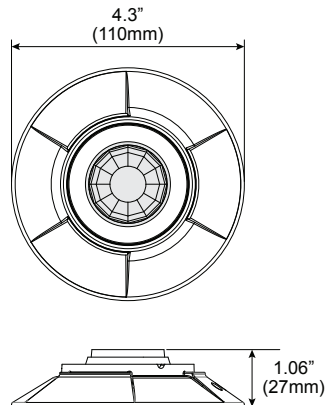
Initial setup and subsequent sensor adjustments are made using a Wireless Handheld Configuration Tool (FSIR-100). This tool enables adjustment of parameters including high and low modes, sensitivity, time delay, cut off and more. The FSIR-100 is also used to initiate automatic calibration of the FSP-2x1B ambient light level setpoint. The setpoint is used to hold the controlled lighting off or at a low level when there is sufficient daylight. The wireless tool stores up to six sensor parameter profiles to speed configuration of multiple sensors.

**FSP-211****FSP-221**

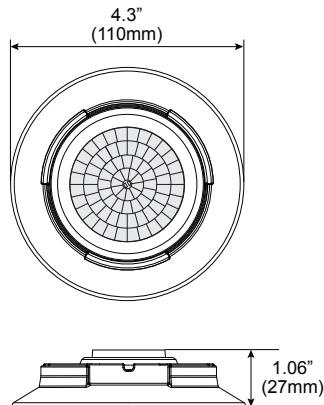
**Lens with Shroud Dimensions**

The FSP-Lx-S models include a shroud, which blocks high-angle light coming from the fixture, to improve photocell performance. With the shroud attached, the dimensions for all three lenses are identical

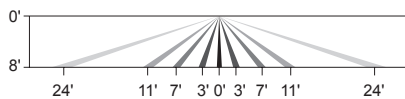
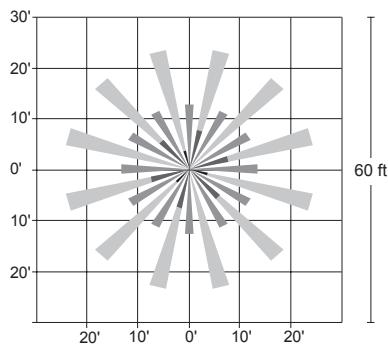
**FSP-L2-S and FSP-L3-S**



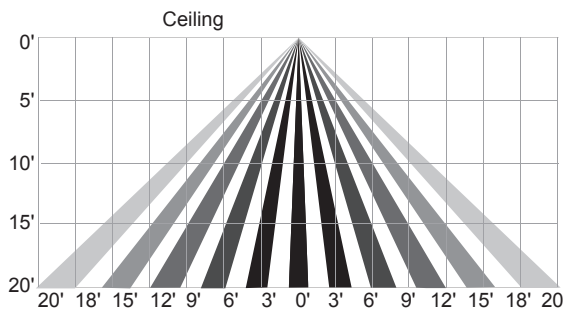
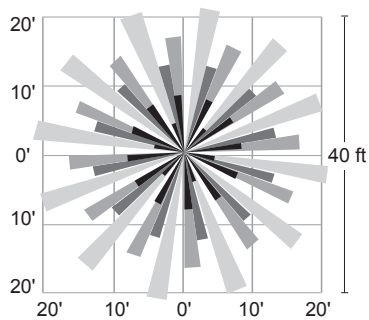
**FSP-L7-S**



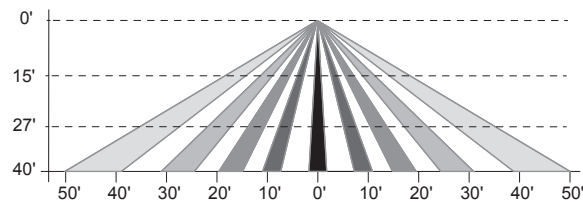
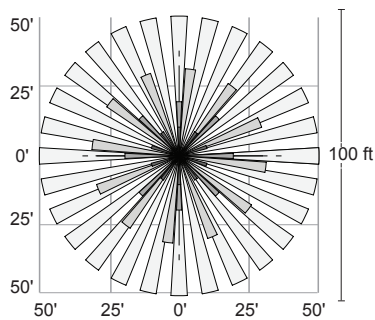
**COVERAGE**



**FSP-L2 top and side coverage patterns**



**FSP-L3 top and side coverage patterns**



**FSP-L7 top and side coverage patterns**

LED Specifications **VOKEY BOLLARD**

VKB-1 - ELECTRICAL LOAD (A)							
Ordering Nomenclature	System Watts	120	208	240	277	347	480
VKB-1-20W	20	0.18	0.11	0.09	0.08	0.06	0.05
VKB-1-30W	30	0.25	0.14	0.13	0.11	0.09	0.06
VKB-1-40W	40	0.34	0.20	0.17	0.15	0.12	0.09
VKB-1-50W	50	0.42	0.29	0.25	0.22	0.17	0.13
VKB-1-60W	60	0.5	0.33	0.28	0.25	0.20	0.14
ELECTRICAL LOAD DATA IS ESTIMATED							

Motion Sensor Default Settings									
FSP-211	High Mode	Low Mode	Time Delay	Cut Off	Sensitivity	Hold Off Setpoint	Photocell	Ramp Up Time	Fade Down Time
<b>WSC-Default</b>	10V	1V	5 Minutes	1 Hour	Maximum	Disabled	Disabled	Disabled	Disabled
<b>WSC Range</b>	0-10V	0-9.8V	5-30 Minutes	1-5 Hours 1	Low, Med, Max	-250FC	1-250FC	1-60 Dec	1-60 Dec
*Settings can be field modified with the FSIR-100 Programming remote									

# LED Specifications VOKEY BOLLARD

VKB LED SPECIFICATIONS / Forward Optics																										
Watts	Distribution Type	70CRI																								
		27K					30K					35K					40K					50K				
		Lumens	B	U	G	LPW	Lumens	B	U	G	LPW	Lumens	B	U	G	LPW	Lumens	B	U	G	LPW	Lumens	B	U	G	LPW
20W	T1	2544	1	0	1	128	2497	1	0	1	126	2497	1	0	1	126	2410	1	0	1	121	2518	1	0	1	127
	T2	2640	1	0	1	133	2592	1	0	1	131	2592	1	0	1	131	2501	1	0	1	126	2613	1	0	1	132
	T3	2480	0	0	1	125	2435	0	0	1	123	2435	0	0	1	123	2349	0	0	1	118	2455	0	0	1	124
	T3L	2431	1	0	1	122	2387	1	0	1	120	2387	1	0	1	120	2303	1	0	1	116	2406	1	0	1	121
	T4	2493	1	0	1	126	2448	1	0	1	123	2448	1	0	1	123	2362	1	0	1	119	2468	1	0	1	124
	T4A	2695	1	0	1	136	2646	1	0	1	133	2646	1	0	1	133	2553	1	0	1	129	2668	1	0	1	134
	T4L	2319	1	0	1	117	2277	1	0	1	115	2277	1	0	1	115	2197	1	0	1	111	2296	1	0	1	116
	T5SR	2603	1	0	1	131	2556	1	0	1	129	2556	1	0	1	129	2466	1	0	1	124	2577	1	0	1	130
	T5LR	2411	1	0	1	121	2367	1	0	1	119	2367	1	0	1	119	2284	1	0	1	115	2387	1	0	1	120
	T5LS	2388	1	0	1	120	2345	1	0	1	118	2345	1	0	1	118	2263	1	0	1	114	2365	1	0	1	119
30W	T1	3707	1	0	2	125	3639	1	0	2	122	3639	1	0	2	122	3511	1	0	2	118	3669	1	0	2	123
	T2	3847	1	0	1	129	3777	1	0	1	127	3777	1	0	1	127	3644	1	0	1	122	3808	1	0	1	128
	T3	3613	1	0	1	121	3548	1	0	1	119	3548	1	0	1	119	3423	1	0	1	115	3577	1	0	1	120
	T3L	3542	1	0	2	119	3478	1	0	2	117	3478	1	0	2	117	3356	1	0	2	113	3507	1	0	2	118
	T4	3633	1	0	1	122	3567	1	0	1	120	3567	1	0	1	120	3442	1	0	1	116	3597	1	0	1	121
	T4A	3928	1	0	1	132	3856	1	0	1	130	3856	1	0	1	130	3721	1	0	1	125	3888	1	0	1	131
	T4L	3379	1	0	2	114	3318	1	0	2	111	3318	1	0	2	111	3201	1	0	1	108	3345	1	0	2	112
	T5SR	3794	1	0	2	127	3725	1	0	2	125	3725	1	0	2	125	3594	1	0	1	121	3756	1	0	2	126
	T5LR	3513	1	0	2	118	3449	1	0	2	116	3449	1	0	2	116	3328	1	0	2	112	3478	1	0	2	117
	T5LS	3480	1	0	2	117	3417	1	0	2	115	3417	1	0	2	115	3297	1	0	1	111	3445	1	0	2	116
40W	T1	4810	2	0	2	121	4722	2	0	2	119	4722	2	0	2	119	4556	2	0	2	115	4761	2	0	2	120
	T2	4992	1	0	1	126	4901	1	0	1	123	4901	1	0	1	123	4729	1	0	1	119	4941	1	0	1	124
	T3	4689	1	0	2	118	4603	1	0	2	116	4603	1	0	2	116	4442	1	0	2	112	4642	1	0	2	117
	T3L	4596	1	0	2	116	4512	1	0	2	114	4512	1	0	2	114	4354	1	0	2	110	4550	1	0	2	115
	T4	4714	1	0	2	119	4628	1	0	2	117	4628	1	0	2	117	4466	1	0	2	112	4667	1	0	2	118
	T4A	5096	1	0	1	128	5004	1	0	1	126	5004	1	0	1	126	4828	1	0	1	122	5045	1	0	1	127
	T4L	4385	1	0	2	110	4305	1	0	2	108	4305	1	0	2	108	4154	1	0	2	105	4341	1	0	2	109
	T5SR	4923	1	0	2	124	4833	1	0	2	122	4833	1	0	2	122	4663	1	0	2	117	4873	1	0	2	123
	T5LR	4558	2	0	2	115	4475	2	0	2	113	4475	2	0	2	113	4318	2	0	2	109	4513	2	0	2	114
	T5LS	4516	2	0	2	114	4434	2	0	2	112	4434	2	0	2	112	4278	1	0	2	108	4471	2	0	2	113
50W	T1	5848	2	0	2	118	5741	2	0	2	116	5741	2	0	2	116	5540	2	0	2	112	5789	2	0	2	117
	T2	6089	1	0	2	123	5958	1	0	2	120	5958	1	0	2	120	5749	1	0	1	116	6008	1	0	2	121
	T3	5700	1	0	2	115	5597	1	0	2	113	5597	1	0	2	113	5400	1	0	2	109	5643	1	0	2	114
	T3L	5588	1	0	2	113	5486	1	0	2	111	5486	1	0	2	111	5294	1	0	2	107	5532	1	0	2	112
	T4	5732	1	0	2	116	5627	1	0	2	114	5627	1	0	2	114	5430	1	0	2	110	5674	1	0	2	115
	T4A	6196	1	0	1	125	6084	1	0	1	123	6084	1	0	1	123	5870	1	0	1	119	6134	1	0	1	124
	T4L	5331	1	0	2	108	5234	1	0	2	106	5234	1	0	2	106	5051	1	0	2	102	5278	1	0	2	107
	T5SR	5985	2	0	2	121	5876	2	0	2	119	5876	2	0	2	119	5670	2	0	2	114	5925	2	0	2	120
	T5LR	5542	2	0	2	112	5441	2	0	2	110	5441	2	0	2	110	5250	2	0	2	106	5486	2	0	2	111
	T5LS	5491	2	0	2	111	5391	2	0	2	109	5391	2	0	2	109	5202	2	0	2	105	5436	2	0	2	110
60W	T1	6895	2	0	2	115	6770	2	0	2	113	6770	2	0	2	113	6532	2	0	2	109	6826	2	0	2	114
	T2	7156	1	0	2	119	7026	1	0	2	117	7026	1	0	2	117	6779	1	0	2	113	7084	1	0	2	118
	T3	6721	1	0	2	112	6599	1	0	2	110	6599	1	0	2	110	6368	1	0	2	106	6654	1	0	2	111
	T3L	6589	2	0	3	110	6469	2	0	2	108	6469	2	0	2	108	6242	1	0	2	104	6523	2	0	2	109
	T4	6758	1	0	2	113	6635	1	0	2	111	6635	1	0	2	111	6402	1	0	2	107	6690	1	0	2	112
	T4A	7306	1	0	1	122	7173	1	0	1	120	7173	1	0	1	120	6921	1	0	1	116	7233	1	0	1	121
	T4L	6286	1	0	2	105	6172	1	0	2	103	6172	1	0	2	103	5955	1	0	2	99	6223	1	0	2	104
	T5SR	7057	2	0	2	118	6929	2	0	2	116	6929	2	0	2	116	6686	2	0	2	112	6886	2	0	2	117
	T5LR	6535	2	0	3	109	6416	2	0	3	107	6416	2	0	3	107	6191	2	0	3	103	6469	2	0	3	108
	T5LS	6474	2	0	2	108	6356	2	0	2	106	6356	2	0	2	106	6133	2	0	2	102	6409	2	0	2	107

# LED Specifications VOKEY BOLLARD

VKB LED SPECIFICATIONS / Forward Optics																										
Watts	Distribution Type	80CRI																								
		27K				30K				35K				40K				50K								
		Lumens	B	U	G	LPW	Lumens	B	U	G	LPW	Lumens	B	U	G	LPW	Lumens	B	U	G	LPW	Lumens	B	U	G	LPW
20W	T1	2261	1	0	1	114	2225	1	0	1	112	2225	1	0	1	112	2184	1	0	1	110	2442	1	0	1	123
	T2	2347	1	0	1	118	2309	1	0	1	116	2309	1	0	1	116	2267	1	0	1	114	2534	1	0	1	128
	T3	2204	0	0	1	111	2169	0	0	1	109	2169	0	0	1	109	2129	0	0	1	107	2381	0	0	1	120
	T3L	2161	1	0	1	109	2126	1	0	1	107	2126	1	0	1	107	2087	1	0	1	105	2334	1	0	1	118
	T4	2216	1	0	1	112	2181	1	0	1	110	2181	1	0	1	110	2141	1	0	1	108	2394	1	0	1	121
	T4A	2396	1	0	1	121	2358	1	0	1	119	2358	1	0	1	119	2315	1	0	1	117	2588	1	0	1	130
	T4L	2061	1	0	1	104	2029	1	0	1	102	2029	1	0	1	102	1991	1	0	1	100	2226	1	0	1	112
	T5SR	2314	1	0	1	117	2277	1	0	1	115	2277	1	0	1	115	2236	1	0	1	113	2499	1	0	1	126
	T5LR	2143	1	0	1	108	2109	1	0	1	106	2109	1	0	1	106	2070	1	0	1	104	2314	1	0	1	117
	T5LS	2123	1	0	1	107	2089	1	0	1	105	2089	1	0	1	105	2051	1	0	1	103	2293	1	0	1	116
30W	T1	3295	1	0	2	111	3242	1	0	2	109	3242	1	0	2	109	3183	1	0	2	107	3558	1	0	2	120
	T2	3419	1	0	1	115	3365	1	0	1	113	3365	1	0	1	113	3303	1	0	1	111	3693	1	0	1	124
	T3	3212	1	0	1	108	3161	1	0	1	106	3161	1	0	1	106	3103	1	0	1	104	3469	1	0	1	117
	T3L	3148	1	0	2	106	3098	1	0	2	104	3098	1	0	2	104	3042	1	0	2	102	3400	1	0	2	114
	T4	3229	1	0	1	108	3178	1	0	1	107	3178	1	0	1	107	3120	1	0	1	105	3488	1	0	1	117
	T4A	3491	1	0	1	117	3436	1	0	1	115	3436	1	0	1	115	3373	1	0	1	113	3770	1	0	1	127
	T4L	3004	1	0	1	101	2956	1	0	1	99	2956	1	0	1	99	2902	1	0	1	97	3244	1	0	1	109
	T5SR	3372	1	0	1	113	3318	1	0	1	111	3318	1	0	1	111	3258	1	0	1	109	3642	1	0	2	122
	T5LR	3122	1	0	2	105	3073	1	0	2	103	3073	1	0	2	103	3017	1	0	2	101	3372	1	0	2	113
	T5LS	3094	1	0	1	104	3044	1	0	1	102	3044	1	0	1	102	2989	1	0	1	100	3341	1	0	2	112
40W	T1	4275	2	0	2	108	4207	2	0	2	106	4207	2	0	2	106	4130	1	0	2	104	4617	2	0	2	116
	T2	4437	1	0	1	112	4366	1	0	1	110	4366	1	0	1	110	4286	1	0	1	108	4792	1	0	1	121
	T3	4168	1	0	1	105	4101	1	0	1	103	4101	1	0	1	103	4026	1	0	1	101	4501	1	0	2	113
	T3L	4085	1	0	2	103	4020	1	0	2	101	4020	1	0	2	101	3947	1	0	2	99	4412	1	0	2	111
	T4	4190	1	0	2	106	4124	1	0	2	104	4124	1	0	2	104	4048	1	0	1	102	4526	1	0	2	114
	T4A	4530	1	0	1	114	4458	1	0	1	112	4458	1	0	1	112	4376	1	0	1	110	4893	1	0	1	123
	T4L	3898	1	0	2	98	3836	1	0	2	97	3836	1	0	2	97	3765	1	0	2	95	4210	1	0	2	106
	T5SR	4376	1	0	2	110	4306	1	0	2	108	4306	1	0	2	108	4227	1	0	2	106	4726	1	0	2	119
	T5LR	4052	2	0	2	102	3987	1	0	2	100	3987	1	0	2	100	3914	1	0	2	99	4376	2	0	2	110
	T5LS	4014	1	0	2	101	3950	1	0	2	100	3950	1	0	2	100	3878	1	0	2	98	4335	1	0	2	109
50W	T1	5198	2	0	2	105	5115	2	0	2	103	5115	2	0	2	103	5021	2	0	2	101	5614	2	0	2	113
	T2	5394	1	0	1	109	5309	1	0	1	107	5309	1	0	1	107	5211	1	0	1	105	5826	1	0	2	118
	T3	5067	1	0	2	102	4986	1	0	2	101	4986	1	0	2	101	4895	1	0	2	99	5472	1	0	2	111
	T3L	4967	1	0	2	100	4888	1	0	2	99	4888	1	0	2	99	4798	1	0	2	97	5365	1	0	2	108
	T4	5095	1	0	2	103	5014	1	0	2	101	5014	1	0	2	101	4922	1	0	2	99	5502	1	0	2	111
	T4A	5508	1	0	1	111	5420	1	0	1	109	5420	1	0	1	109	5321	1	0	1	107	5948	1	0	1	120
	T4L	4739	1	0	2	96	4663	1	0	2	94	4663	1	0	2	94	4578	1	0	2	92	5118	1	0	2	103
	T5SR	5320	1	0	2	107	5235	1	0	2	106	5235	1	0	2	106	5139	1	0	2	104	5746	2	0	2	116
	T5LR	4926	2	0	2	99	4848	2	0	2	98	4848	2	0	2	98	4759	2	0	2	96	5320	2	0	2	107
	T5LS	4880	2	0	2	99	4803	2	0	2	97	4803	2	0	2	97	4715	2	0	2	95	5271	2	0	2	106
60W	T1	6129	2	0	2	102	6031	2	0	2	101	6031	2	0	2	101	5921	2	0	2	99	6619	2	0	2	111
	T2	6361	1	0	2	106	6259	1	0	2	104	6259	1	0	2	104	6145	1	0	2	103	6870	1	0	2	115
	T3	5974	1	0	2	100	5880	1	0	2	98	5880	1	0	2	98	5772	1	0	2	96	6453	1	0	2	108
	T3L	5857	1	0	2	98	5764	1	0	2	96	5764	1	0	2	96	5658	1	0	2	94	6325	1	0	2	106
	T4	6007	1	0	2	100	5912	1	0	2	99	5912	1	0	2	99	5803	1	0	2	97	6488	1	0	2	108
	T4A	6494	1	0	1	108	6391	1	0	1	107	6391	1	0	1	107	6274	1	0	1	105	7014	1	0	1	117
	T4L	5587	1	0	2	93	5499	1	0	2	92	5499	1	0	2	92	5398	1	0	2	90	6035	1	0	2	101
	T5SR	6273	2	0	2	105	6173	2	0	2	103	6173	2	0	2	103	6060	2	0	2	101	6775	2	0	2	113
	T5LR	5808	2	0	3	97	5716	2	0	3	95	5716	2	0	3	95	5611	2	0	3	94	6273	2	0	3	105
	T5LS	5755	2	0	2	96	5663	2	0	2	95	5663	2	0	2	95	5559	2	0	2	93	6215	2	0	2	104

# LED Specifications VOKEY BOLLARD

VKB LED SPECIFICATIONS / Forward Optics																										
Watts	Distribution Type	90CRI																								
		27K					30K					35K					40K					50K				
		Lumens	B	U	G	LPW	Lumens	B	U	G	LPW	Lumens	B	U	G	LPW	Lumens	B	U	G	LPW	Lumens	B	U	G	LPW
20W	T1	1916	1	0	1	97	1892	1	0	1	95	1892	1	0	1	95	1874	1	0	1	94	2024	1	0	1	102
	T2	1988	1	0	1	100	1964	1	0	1	99	1964	1	0	1	99	1945	1	0	1	98	2101	1	0	1	106
	T3	1867	0	0	1	94	1844	0	0	1	93	1844	0	0	1	93	1827	0	0	1	92	1973	0	0	1	99
	T3L	1831	1	0	1	92	1808	1	0	1	91	1808	1	0	1	91	1791	1	0	1	90	1934	1	0	1	97
	T4	1878	0	0	1	95	1855	0	0	1	93	1855	0	0	1	93	1837	0	0	1	93	1984	0	0	1	100
	T4A	2030	0	0	1	102	2005	0	0	1	101	2005	0	0	1	101	1986	0	0	1	100	2145	0	0	1	108
	T4L	1746	1	0	1	88	1725	1	0	1	87	1725	1	0	1	87	1709	1	0	1	86	1846	1	0	1	93
	T5SR	1961	1	0	1	99	1937	1	0	1	98	1937	1	0	1	98	1918	1	0	1	97	2072	1	0	1	104
	T5LR	1816	1	0	1	91	1793	1	0	1	90	1793	1	0	1	90	1776	1	0	1	89	1919	1	0	1	97
	T5LS	1799	1	0	1	91	1777	1	0	1	89	1777	1	0	1	89	1760	1	0	1	89	1901	1	0	1	96
30W	T1	2791	1	0	1	94	2757	1	0	1	93	2757	1	0	1	93	2731	1	0	1	92	2950	1	0	1	99
	T2	2897	1	0	1	97	2861	1	0	1	96	2861	1	0	1	96	2834	1	0	1	95	3061	1	0	1	103
	T3	2721	1	0	1	91	2688	1	0	1	90	2688	1	0	1	90	2662	1	0	1	89	2876	1	0	1	97
	T3L	2667	1	0	1	90	2635	1	0	1	89	2635	1	0	1	89	2610	1	0	1	88	2819	1	0	1	95
	T4	2736	1	0	1	92	2702	1	0	1	91	2702	1	0	1	91	2677	1	0	1	90	2891	1	0	1	97
	T4A	2958	1	0	1	99	2921	1	0	1	98	2921	1	0	1	98	2894	1	0	1	97	3126	1	0	1	105
	T4L	2545	1	0	1	85	2514	1	0	1	84	2514	1	0	1	84	2490	1	0	1	84	2689	1	0	1	90
	T5SR	2857	1	0	1	96	2822	1	0	1	95	2822	1	0	1	95	2795	1	0	1	94	3019	1	0	1	101
	T5LR	2645	1	0	2	89	2613	1	0	2	88	2613	1	0	2	88	2588	1	0	2	87	2796	1	0	2	94
	T5LS	2621	1	0	1	88	2589	1	0	1	87	2589	1	0	1	87	2564	1	0	1	86	2770	1	0	1	93
40W	T1	3622	1	0	2	91	3578	1	0	2	90	3578	1	0	2	90	3544	1	0	2	89	3828	1	0	2	96
	T2	3759	1	0	1	95	3713	1	0	1	94	3713	1	0	1	94	3678	1	0	1	93	3972	1	0	1	100
	T3	3531	1	0	1	89	3487	1	0	1	88	3487	1	0	1	88	3455	1	0	1	87	3731	1	0	1	94
	T3L	3461	1	0	2	87	3419	1	0	2	86	3419	1	0	2	86	3387	1	0	2	85	3658	1	0	2	92
	T4	3550	1	0	1	89	3507	1	0	1	88	3507	1	0	1	88	3474	1	0	1	87	3752	1	0	1	94
	T4A	3838	1	0	1	97	3791	1	0	1	95	3791	1	0	1	95	3755	1	0	1	95	4056	1	0	1	102
	T4L	3302	1	0	1	83	3262	1	0	1	82	3262	1	0	1	82	3231	1	0	1	81	3490	1	0	2	88
	T5SR	3707	1	0	2	93	3662	1	0	2	92	3662	1	0	2	92	3627	1	0	2	91	3917	1	0	2	99
	T5LR	3433	1	0	2	86	3391	1	0	2	85	3391	1	0	2	85	3359	1	0	2	85	3628	1	0	2	91
	T5LS	3401	1	0	1	86	3359	1	0	1	85	3359	1	0	1	85	3328	1	0	1	84	3594	1	0	2	91
50W	T1	4404	2	0	2	89	4350	2	0	2	88	4350	2	0	2	88	4309	2	0	2	87	4654	2	0	2	94
	T2	4570	1	0	1	92	4514	1	0	1	91	4514	1	0	1	91	4472	1	0	1	90	4830	1	0	1	98
	T3	4293	1	0	1	87	4240	1	0	1	86	4240	1	0	1	86	4200	1	0	1	85	4536	1	0	2	92
	T3L	4208	1	0	2	85	4157	1	0	2	84	4157	1	0	2	84	4117	1	0	2	83	4447	1	0	2	90
	T4	4316	1	0	2	87	4263	1	0	2	86	4263	1	0	2	86	4223	1	0	2	85	4561	1	0	2	92
	T4A	4666	1	0	1	94	4609	1	0	1	93	4609	1	0	1	93	4566	1	0	1	92	4931	1	0	1	100
	T4L	4015	1	0	2	81	3966	1	0	2	80	3966	1	0	2	80	3928	1	0	2	79	4243	1	0	2	86
	T5SR	4507	1	0	2	91	4452	1	0	2	90	4452	1	0	2	90	4410	1	0	2	89	4763	1	0	2	96
	T5LR	4174	2	0	2	84	4122	2	0	2	83	4122	2	0	2	83	4084	2	0	2	82	4410	2	0	2	89
	T5LS	4135	1	0	2	83	4084	1	0	2	82	4084	1	0	2	82	4046	1	0	2	82	4370	1	0	2	88
60W	T1	5192	2	0	2	87	5129	2	0	2	86	5129	2	0	2	86	5080	2	0	2	85	5487	2	0	2	92
	T2	5389	1	0	1	90	5323	1	0	1	89	5323	1	0	1	89	5273	1	0	1	88	5695	1	0	1	95
	T3	5062	1	0	2	85	5000	1	0	2	83	5000	1	0	2	83	4953	1	0	2	83	5349	1	0	2	89
	T3L	4962	1	0	2	83	4901	1	0	2	82	4901	1	0	2	82	4855	1	0	2	81	5243	1	0	2	88
	T4	5089	1	0	2	85	5027	1	0	2	84	5027	1	0	2	84	4980	1	0	2	83	5378	1	0	2	90
	T4A	5502	1	0	1	92	5434	1	0	1	91	5434	1	0	1	91	5383	1	0	1	90	5814	1	0	1	97
	T4L	4734	1	0	2	79	4676	1	0	2	78	4676	1	0	2	78	4632	1	0	2	77	5003	1	0	2	84
	T5SR	5314	1	0	2	89	5249	1	0	2	88	5249	1	0	2	88	5200	1	0	2	87	5616	2	0	2	94
	T5LR	4921	2	0	2	82	4861	2	0	2	81	4861	2	0	2	81	4815	2	0	2	80	5200	2	0	2	87
	T5LS	4875	2	0	2	81	4816	2	0	2	80	4816	2	0	2	80	4770	2	0	2	80	5152	2	0	2	86