

VISIONAIRE LIGHTING

19645 RANCHO WAY, RANCHO DOMINGUEZ, CALIFORNIA 90220
PH(310)512-6480 FAX(310)512-6486
WWW.VISIONAIRELIGHTING.COM

V-BOLLARD INSTALLATION INSTRUCTION

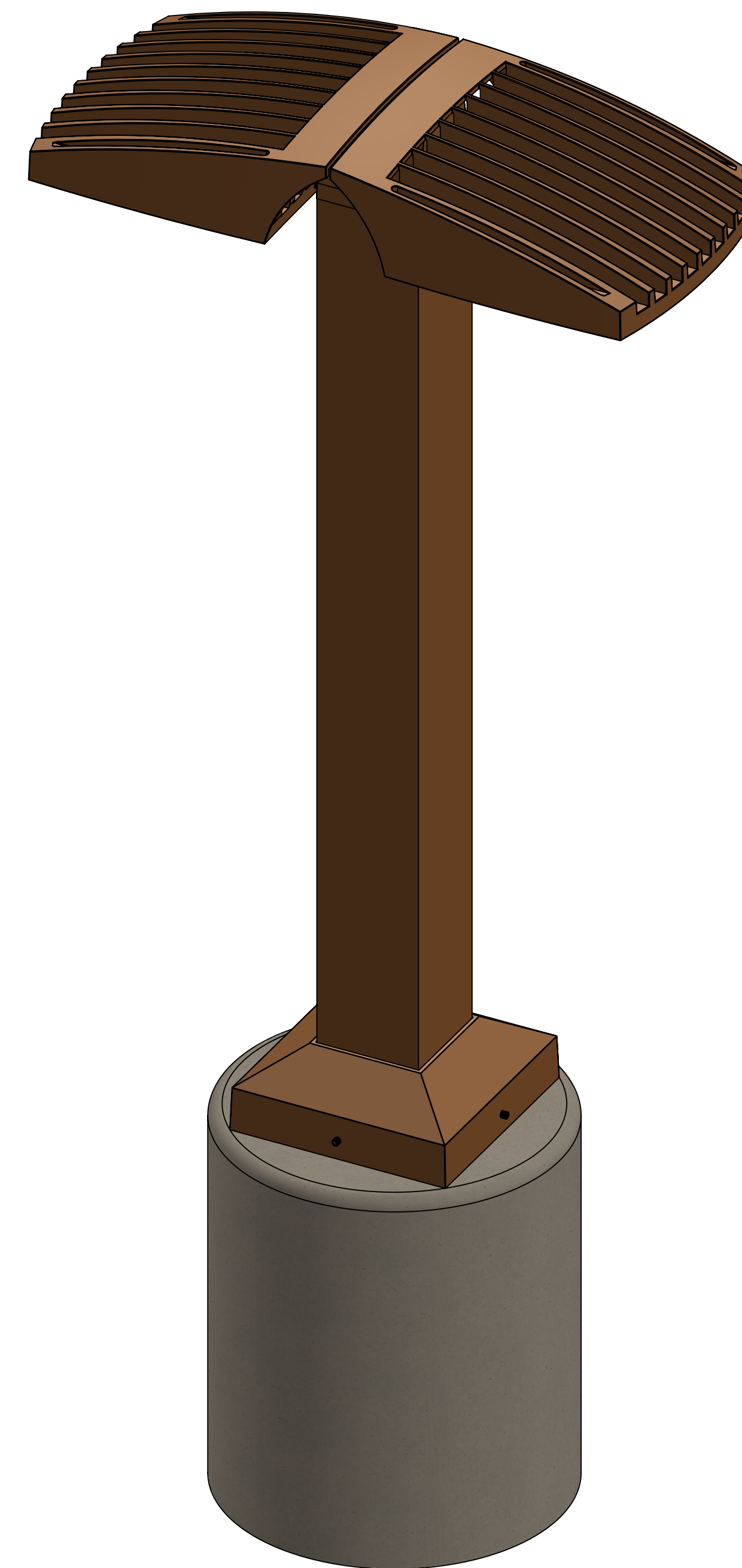
WARNING: RISK OF FIRE OR ELECTRICAL SHOCK
THIS PRODUCT MUST BE INSTALLED IN ACCORDANCE WITH
THE APPLICABLE INSTALLATION CODE BY A PERSON FAMILIAR
WITH THE CONSTRUCTION AND OPERATION OF THE PRODUCT
AND THE HAZARDS INVOLVED

V-BOLLARD LED

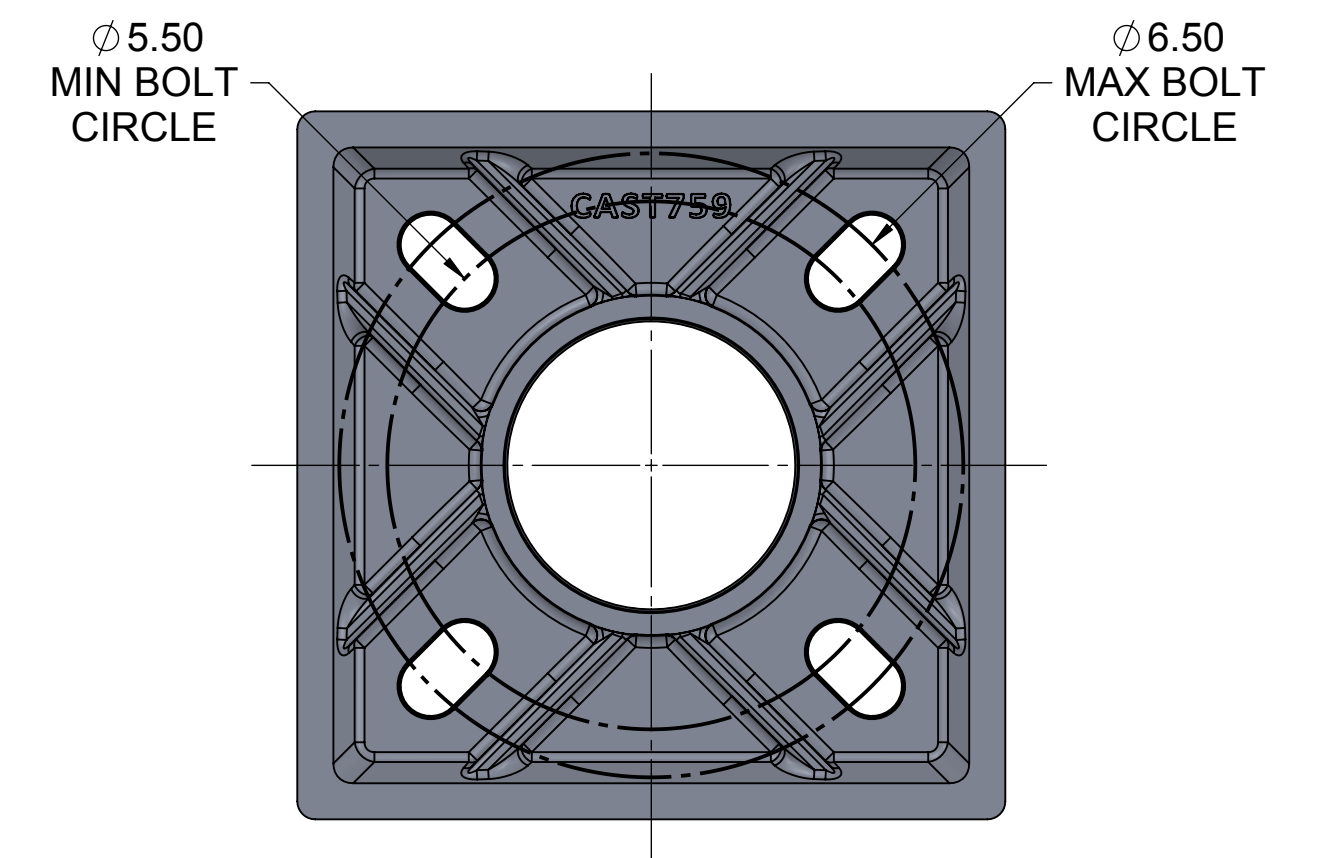
WARNING: TO AVOID RISKS OF FIRE OR SHOCK, TURN OFF POWER PRIOR TO INSTALLATION, MAINTENANCE, PREFERABLY AT THE CIRCUIT BREAKER. VERIFY THE EXISTING INPUT VOLTAGE AND SELECT MATCHING VOLTAGE ACCORDINGLY BEFORE WIRING. INSTALL PER LOCAL AND THE NATIONAL ELECTRICAL CODE.

FIGURE #1

V-BOLLARD LED SERIES



FINAL ASSEMBLY



ANCHOR BASE TEMPLATE
FOR 8.5" SQUARE BOLLARD

FIGURE #2

- FASTEN (X4) LEVELING NUTS TO ANCHOR BOLT (1)
- PLACE (X4) 3/8 WASHERS ON TOP OF LEVELING NUT (2)
- PLACE (X4) 3/4 WASHERS ON TOP OF 3/8 WASHERS (3)

NOTE: FLUSH MOUNTING DOES NOT REQUIRE LEVELING NUTS AND WASHERS. USE CAST BASE WITH FLAT SIDE DOWN

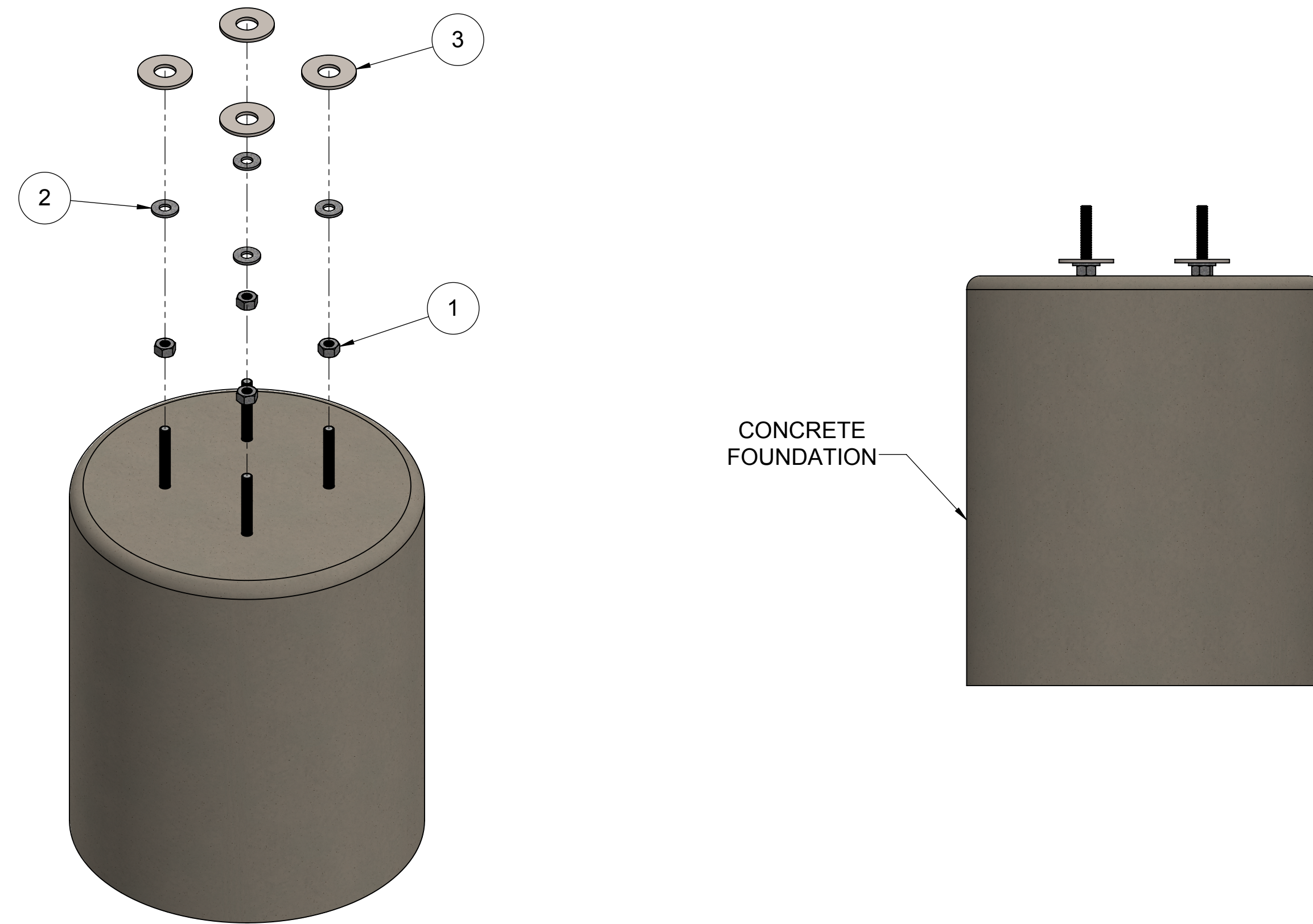


FIGURE #3

- PLACE ANCHOR BASE ON TOP OF LEVELING NUTS (4)

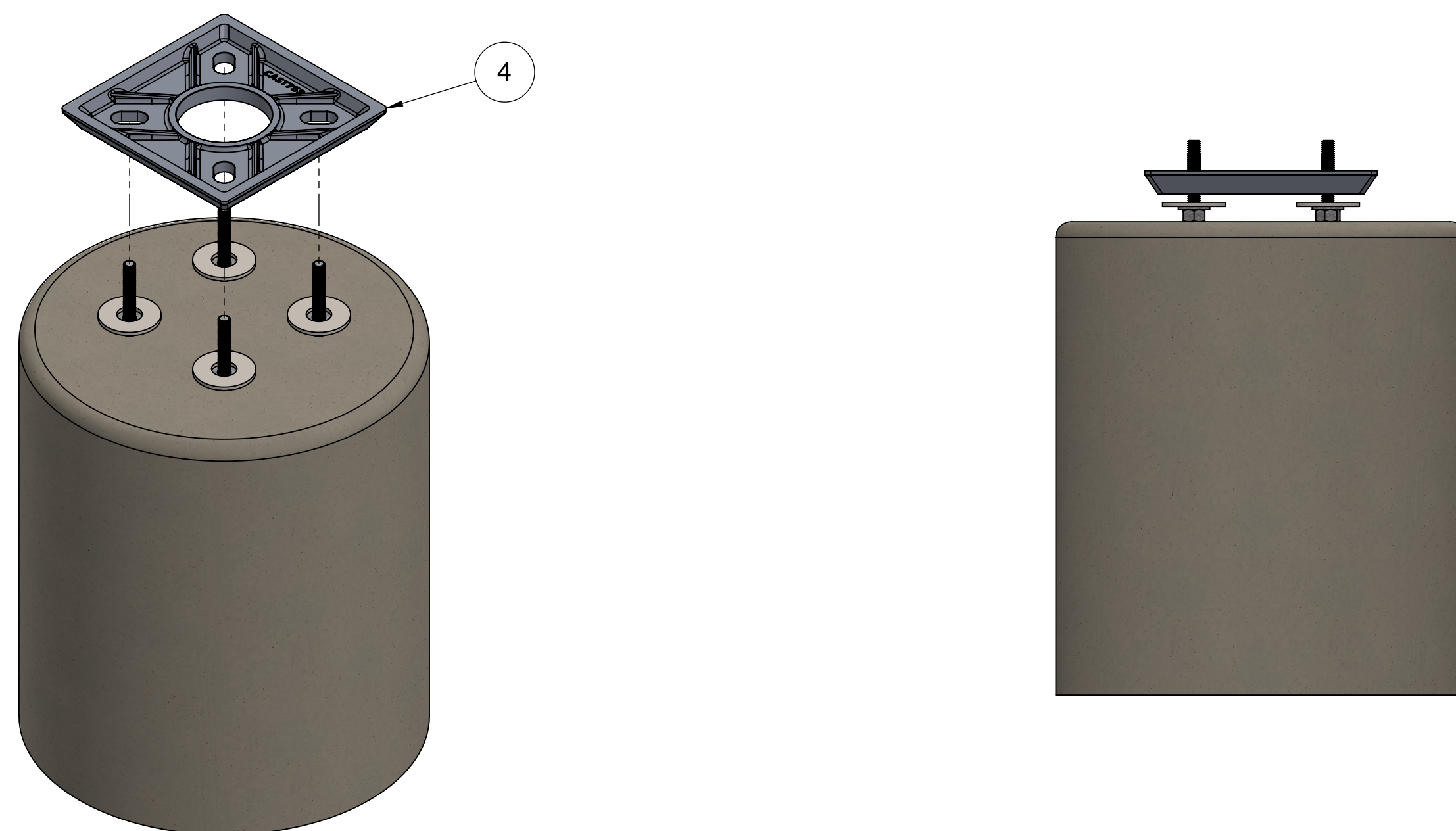


FIGURE #4

- PLACE (X4) 3/4 WASHERS ON TOP OF ANCHOR BASE (5)
- PLACE (X4) 3/8 WASHERS ON TOP OF 3/4 WASHERS (6)
- FASTEN (X4) NUTS TO ANCHOR BOLTS (7)

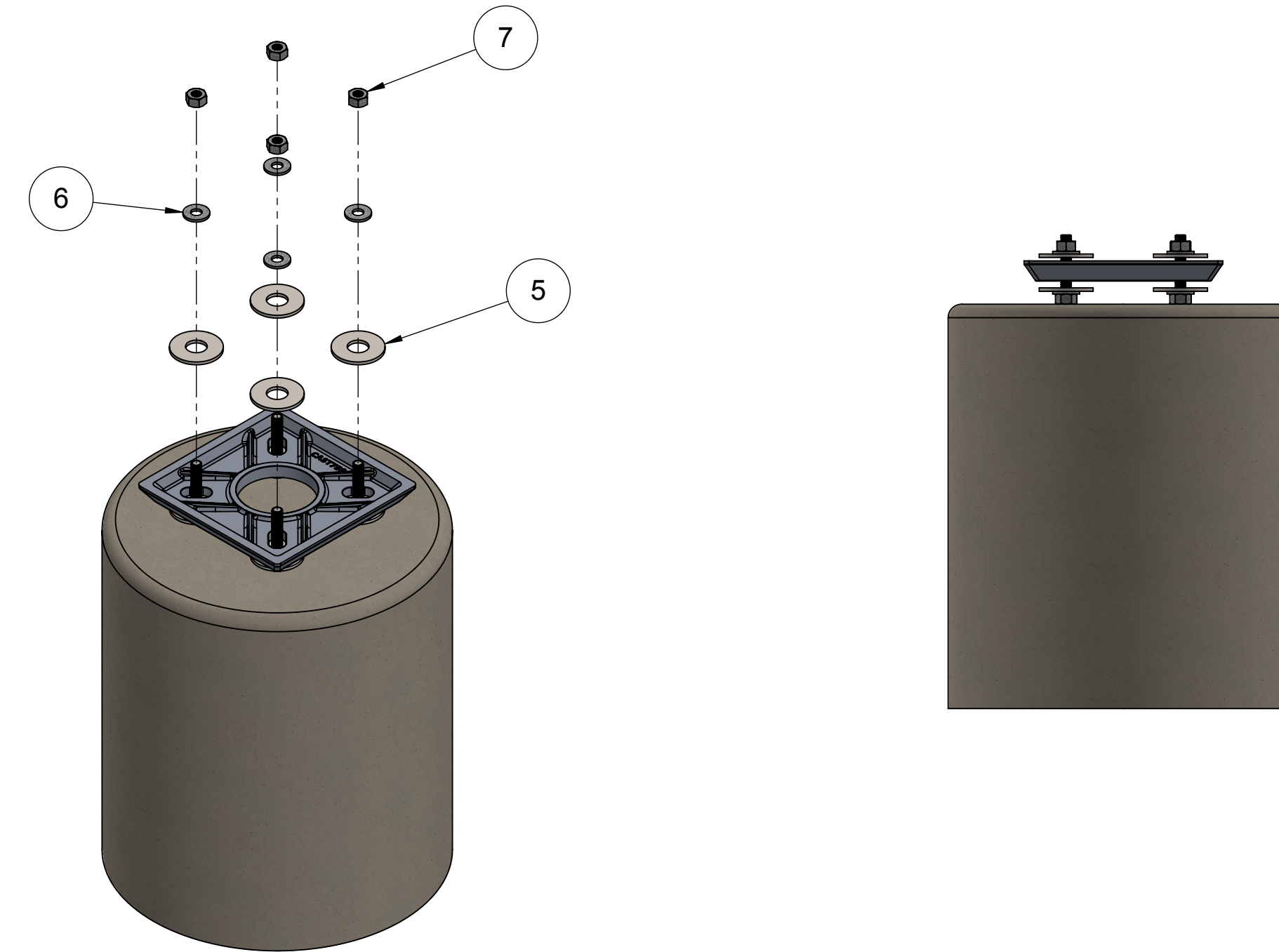


FIGURE #5

- PLACE V-BOLLARD FIXTURE ON TOP OF ANCHOR BASE ASSEMBLY (8)
- FASTEN (X4) SET SCREWS IN BASE COVER PROVISION TO SECURE FIXTURE (9)

