



BOW LX II
LED Luminaire

BOW LX II - LED Luminaire



The new BOW LX II LED Luminaire from Visionaire combines unique contemporary design with the latest LED technology and provides optimum lighting and energy savings over traditional lighting systems. 3, 4, 6 or 8 independent die-cast light engines allow use of up to 1000 mA drivers for maximum lumen output of over 110,000 lumens. The dedicated heat sink for each LED array maximizes its thermal management characteristics; allowing for long life of the LEDs and maximum light output.

An adjustable knuckle mounting system allows for up to 50 degrees of vertical adjustment, for maximum flexibility or aiming of the LEDs, to put the light in just the right place as needed. Also available is a Bolt-On Arm, Post Top, Mast arm fitter and Trunnion Mount. Choose from nine distribution patterns for maximum utilization of the high output of the LED light engines.

The BOW LX II LED series leads the way with its innovative design and adjustable mounting style. This is an LED outdoor lighting series that will provide value for many years to come; serving a multitude of markets that have not been addressed during the recent introduction of LED lighting.

Construction

- All aluminum construction throughout provides lasting durability for the BOW LX LED series
- 3, 4, 6 or 8 die-cast light engines with external fins, for maximum heat dissipation for long life of the LEDs.
- A separate extruded aluminum driver compartment allows for cooler operation and longer life of the driver(s).

LED Technology

- 96, 128, 192 or 256 LEDs available in 530, 700, or 1000 mA ratings.
- 3000, 4000 or 5000 Kelvin for natural or white light.
- Full cutoff optics available nine distribution patterns.
- Minimum of 75,000 hours of life for the LEDs

Applications

The BOW LX II LED series can be used for a variety of lighting projects such as general area lighting, shopping centers and automobile dealerships. Choose the BOW LX II LED series for your next lighting project.



BLX-II LED Specifications

BLX-II

BLX-II-4 Post Top Mount Shown



Project Name: _____

Catalog Number: _____

Type: _____

The new **BOW LX II LED** Series continues the unique contemporary design inspired by the sleek styling of the BOW family. Separating the extruded aluminum driver housing and the individual die-cast aluminum linear LED engines: optimize the life of the LEDs and the Driver(s); and maximizes the lumen output of the fixture. The adjustable knuckle allows for up to 50° degrees of vertical adjustment for putting the light exactly where you need it.

Each of the individual LED light engines come with 32 LEDs; for a max total of 256 LEDs. Nine optical distribution patterns are available.

A unique Type 4-A automotive distribution pattern is available for the front rows of Auto Dealerships. Available in 3000, 4000, 5000 Kelvin temperature.

A durable polyester powder coat finish is guaranteed for five years; and is available in standard or custom colors.

The **BOW LX II LED** series is an exceptional choice for auto dealerships, shopping centers, commercial parking lots and general area lighting.

Ordering Information

MODEL	OPTICS	LEDS	CURRENT	KELVIN	VOLTAGE	MOUNTING	MOUNTING	FINISH	OPTIONS	OPTIONS
BLX-II-3	T1 Type 1	96LC	3 350mA	3K 3000K	UNV 120-277V	PT Post Top	WM Wall Mount BLX-III-3 & BLX-III-4 Only	GY Grey	PCR-120 PCR-208 PCR-240 PCR-277 PCR-347 PCR-480 Photocell & Receptacle	VWC Visionaire Wireless Controls *Consult Factory
BLX-II-4	T2 Type 2	128LC	5 530mA	4K 4000K	8 347V	MA Mast Arm Fitter	AWM Adjustable Wall Mount BLX-III-3 & BLX-III-4 Only	SL Silver Metallic	PER 3 Pin Photo Receptacle w/shorting cap	WSC-8 Motion Sensor 8' Mounting Height
BLX-II-6	T3 Type 3	192LC	7 700mA	5K 5000K	5 480V	KM Knuckle Mount	BOA Bolt-On Arm	BK Black	WSC-20 Motion Sensor 9-20' Mounting Height	WSC-40 Motion Sensor 21-40' Mounting Height *This option will require (1)FSIR 100 remote for programming
BLX-II-8	T4 Type 4 Automotive	256LC	10 1050mA			AM Arm Mount Extended arm is needed for the BLX-III-6 & BLX-III-8 in D9, T9, T120 & QD configuration s	BAWP Bolt-On Arm Wall Plate *BLX-III-3 & BLX-III-4 only	SBK Smooth Black	DIM 0-10v Dimming Driver *No Controls	CLS Back Side Cutoff Louver Shield
	T5 Type 5					*extended arm sold separately	BAWP-XL Bolt-On Arm Wall Plate-XL *BLX-III-6 & BLX-III-8 only	WH White	DS Decorative Shroud	RCLS Right Side Cutoff Louver Shield
	T5W Type 5 Wide						UPMA-S Universal Square Pole Mount Adaptor *Not available with BLX-II-8	SWH Smooth White	ROT-R Rotated Optics Right Side	LCLS Left Side Cutoff Louver Shield
	T5WR Type 5 Wide Round						TM Trunnion Mount	BZ Bronze	ROT-L Rotated Optics Left Side	RPP Round Pole Plate Adaptor For 3"Ø - 5"Ø Pole
	FN Flood Narrow						UPMA-R Universal Round Pole Mount Adaptor *Not available with BLX-II-8	GP Graphite		
	FM Flood Medium							CC Custom Color		

Features & Specifications

Housing

The LED light engines are constructed of heavy-duty, die-cast aluminum, with external heat radiating fins.

Driver Compartment

The separate driver housing is constructed of extruded aluminum, with vented cast aluminum end covers and stainless steel fasteners; for easy access to the LED driver(s); allowing for cooler operation and longer driver life. One-piece gasketing is utilized throughout the fixture for weather tight operation.

Thermal Management

The BOW LX II Series provides excellent overall thermal management by maximizing the fixture's heat sink capabilities. This enables the BOW LX II Series to withstand higher ambient temperatures and drive currents without degrading LED life.

The L70 test determines the point in an LEDs life when it reaches 70 percent of its initial output. The BOW LX II Series LEDs have been determined to last a minimum of 100,000 hours in 25°C environments when driven at 350 mA.

Optical System

The highest lumen output, LEDs are utilized in the BOW LX II Series. IES distribution Types I, II, III, IV, IV-A, V, V-W, V-WR, FM and FN are available. LED light engines come in multiples of 32 LEDs. CRI values are 70.

Quali-Guard® Finish

The finish is a Quali-Guard® textured, chemically pretreated through a multiple-stage washer, electrostatically applied, thermoset polyester powder coat finish, with a minimum of 3-5 millimeter thickness. Finish is oven-baked at 400 °F to promote maximum adherence and finish hardness.

All finishes are available in standard and custom colors. Finish is guaranteed for five (5) years.

Mounting

An adjustable knuckle slip fits over a 2 3/8" Tenon, and allows for up to 50° degrees of vertical adjustment in 10° degree increments from horizontal, as well as full side to side adjustment with the knuckle mount.

The Bolt-On Arm (BOA) utilizes a 2 piece cleat system for easy installation. A Round Pole Plate Adaptor (RPP) is required for mounting to round poles.

- Mast Arm Fitter fits over a 2 3/8" tenon.
- Post Top fits over a 2 3/8" tenon and is adjustable up to 45°.
- Trunnion Mount is adjustable up to 50°
- Adjustable Wall Mount
- Bolt-On Arm Wall Plate
- Bolt-On Arm Wall Plate-XL

Electrical Assembly

- The BOW LX II Series is supplied with a choice of 350, 530, 700, or 1000 mA high-performance LED drivers, that accept 120v thru 480v, 50 Hz to 60 Hz, input.
- Rated for -40 °C to +55 °C operations.
- Power factor of 90%.
- THD less than or equal to 20%
- 20 kV surge protector supplied as standard.
- 0-10v Dimming Driver supplied as standard.

Warranty

Five (5) year Limited Warranty on entire system, including finish. For full warranty information, please visit VisionaireLighting.com.

Options

- Button Type Photocell
- Photocell & Receptacle
- Photo Receptacle
- Round pole plate adaptor
- Motion Sensor
- Pole Mounted Motion Sensor
- Universal Pole Mount Adaptor (BLX-II-3, BLX-II-4 & BLX-II-6 Only)
- Decorative Shroud
- Cut-Off Louver Shield

Listings

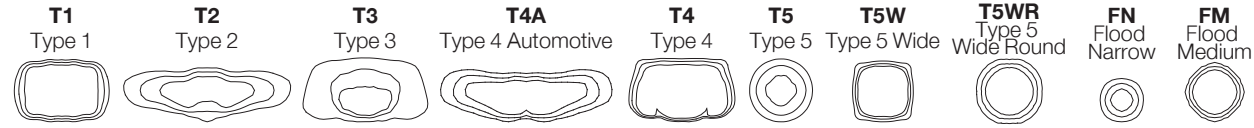
- BOW LX II Series is UL listed, suitable for wet locations
- Meets ANSI C136.31-2010 3G Vibration Standards
- Powder Coated Tough™
- IP-66 Rated
- DLC Listed
- IDA Certification
- Pangealink



DesignLights Consortium (DLC) qualified Product. Some configurations of this product family may not be DesignLights Consortium (DLC) listed, please refer to the DLC qualified products list to confirm listed configurations. <http://www.designlights.org/> 3000K must be selected with a fixed mount for IDA certification. Fixed mount must be selected for IDA dark sky certification.

Lumen values are from photometric tests performed in accordance with IESNA LM-79-08. Data is considered to be representative of the configuration shown, within the tolerances allowed by Lighting Facts. Contact the factory for performance data on any configuration not shown here.

Photometric Optical Summary



Dimensions

Post Top		Mast Arm		Knuckle Mount		Bolt-On Arm		Trunnion	
Width:	BLX-II-3 15" BLX-II-4 17" BLX-II-6 28" BLX-II-8 33"	Width:	BLX-II-3 15" BLX-II-4 17" BLX-II-6 28" BLX-II-8 33"	Width:	BLX-II-3 15" BLX-II-4 17" BLX-II-6 28" BLX-II-8 33"	Width:	BLX-II-3 15" BLX-II-4 17" BLX-II-6 28" BLX-II-8 33"	Width:	BLX-II-3 15" BLX-II-4 17" BLX-II-6 28" BLX-II-8 33"
Depth:	BLX-II-3 36" BLX-II-4 36" BLX-II-6 36" BLX-II-8 36"	Depth:	BLX-II-3 36" BLX-II-4 36" BLX-II-6 36" BLX-II-8 36"	Depth:	BLX-II-3 37" BLX-II-4 37" BLX-II-6 37" BLX-II-8 37"	Depth:	BLX-II-3 34" BLX-II-4 34" BLX-II-6 34" BLX-II-8 34"	Depth:	BLX-II-3 33" BLX-II-4 33" BLX-II-6 33" BLX-II-8 33"
Height:	BLX-II-3 6" BLX-II-4 6" BLX-II-6 6" BLX-II-8 6"	Height:	BLX-II-3 5" BLX-II-4 5" BLX-II-6 5" BLX-II-8 5"	Height:	BLX-II-3 5" BLX-II-4 5" BLX-II-6 5" BLX-II-8 5"	Height:	BLX-II-3 5"/9" BLX-II-4 5"/9" BLX-II-6 5"/9" BLX-II-8 5"/9"	Height:	BLX-II-3 5" BLX-II-4 5" BLX-II-6 5" BLX-II-8 5"

Post Top

Mast Arm

Knuckle Mount

Bolt-On Arm

Trunnion Mount

BLX-II EPA Data				
Tilt Deg.	BLX-II-3	BLX-II-4	BLX-II-6	BLX-II-8
0	.7	.7	.8	1.1
10	.71	.9	1.2	1.6
20	1.02	1.3	1.8	2
30	1.32	1.7	2.4	3.1
40	1.62	2.1	3	3.9
50	1.86	2.4	3.4	4.5

Weight				
BLX-II	45 LBS	54 LBS	68 LBS	96 LBS

BLX-II 3K Lumen Data												
#LED's	mA	Type 1	Type 2	Type 3	Type 4	Type 4A	Type 5	Type 5W	Type 5WR	Type FN	Type FM	Watts
96	350	15134	13670	14066	13718	15536	14729	14139	14364	15399	15567	102
	530	21372	19305	19864	19372	21940	20801	19967	20285	21746	21984	157
	700	26974	24365	25071	24450	27691	26253	25201	25602	27446	27746	213
	1050	37230	33630	34604	33747	38220	36236	34784	35338	37883	38297	331
128	350	20046	18108	18632	18171	20579	19511	18729	19027	20397	20621	143
	530	28750	25969	26721	26060	29514	27982	26860	27288	29253	29573	211
	700	36537	33003	33959	33119	37508	35561	34136	34679	37177	37584	282
	1050	49265	44500	45789	44656	50574	47949	46027	46760	50128	50676	434
192	350	31025	28025	28836	28122	31850	30196	28986	29448	31568	31914	210
	530	44587	40275	41441	40416	45772	43396	41657	42320	45368	45864	321
	700	55736	50346	51804	50522	57218	54247	52073	52903	56713	57334	426
	1050	74461	67260	69208	67495	76440	72472	69567	70676	75765	76595	659
256	350	42004	37942	39040	38074	43120	40882	39243	39869	42739	43207	278
	530	60424	54581	56161	54771	62030	58810	56453	57353	61482	62156	430
	700	74936	67689	69649	67926	76928	72934	70011	71127	76249	77083	570
	1050	102150	92272	94944	92594	104866	99421	95437	96958	103939	105077	884

BLX-II 4K Lumen Data												
#LED's	mA	Type 1	Type 2	Type 3	Type 4	Type 4A	Type 5	Type 5W	Type 5WR	Type FN	Type FM	Watts
96	350	15930	14389	14806	14440	16354	15504	14883	15120	16209	16386	102
	530	22497	20321	20909	20392	23095	21896	21018	21353	22891	23141	157
	700	28393	25647	26390	25737	29148	27635	26527	26950	28890	29207	213
	1050	39190	35400	36425	35524	40232	38143	36614	37198	39876	40313	331
128	350	21101	19061	19613	19127	21662	20538	19714	20029	21471	21706	143
	530	30263	27336	28128	27432	31067	29454	28274	28724	30793	31130	211
	700	38460	34740	35746	34862	39482	37432	35932	36505	39133	39562	282
	1050	51858	46843	48199	47006	53236	50472	48449	49221	52766	53344	434
192	350	32658	29500	30354	29603	33526	31785	30512	30998	33230	33594	210
	530	46934	42395	43622	42543	48181	45680	43849	44548	47756	48278	321
	700	58670	52996	54531	53181	60230	57103	54814	55688	59698	60351	426
	1050	78380	70800	72850	71047	80464	76286	73229	74396	79753	80626	659
256	350	44214	39939	41095	40078	45390	43033	41309	41967	44989	45481	278
	530	63604	57453	59117	57654	65295	61905	59424	60371	64718	65427	430
	700	78880	71252	73315	71501	80977	76773	73696	74870	80262	81140	570
	1050	107527	97128	99941	97467	110385	104654	100460	102061	109410	110608	884

BLX-II 5K Lumen Data												
#LED's	mA	Type 1	Type 2	Type 3	Type 4	Type 4A	Type 5	Type 5W	Type 5WR	Type FN	Type FM	Watts
96	350	15286	13808	14208	13856	15693	14878	14282	14509	15554	15724	102
	530	21588	19500	20065	19568	22162	21011	20169	20490	21966	22206	157
	700	27246	24611	25324	24697	27970	26518	25455	25861	27723	28027	213
	1050	37607	33970	34953	34088	38606	36602	35135	35695	38265	38684	331
128	350	20249	18290	18820	18354	20787	19708	18918	19219	20603	20829	143
	530	29040	26232	26991	26323	29812	28264	27131	27564	29549	29872	211
	700	36906	33337	34302	33453	37887	35920	34480	35030	37552	37963	282
	1050	49762	44950	46252	45107	51085	48433	46492	47233	50634	51188	434
192	350	31338	28308	29127	28407	32171	30501	29279	29745	31887	32236	210
	530	45037	40682	41860	40824	46234	43834	42077	42748	45826	46328	321
	700	56299	50855	52328	51032	57796	54795	52599	53438	57286	57913	426
	1050	75213	67939	69907	68177	77213	73204	70270	71390	76530	77368	659
256	350	42428	38325	39435	38459	43556	41295	39640	40271	43171	43644	278
	530	61034	55132	56728	55325	62657	59404	57023	57932	62103	62783	430
	700	75693	68373	70353	68612	77705	73671	70719	71845	77019	77862	570
	1050	103182	93204	95903	93529	105925	100426	96401	97937	104989	106139	884

BLX-II 3K LPW Data											
#LED's	mA	Type 1	Type 2	Type 3	Type 4	Type 4A	Type 5	Type 5W	Type 5WR	Type FN	Type FM
96	350	148	134	138	134	152	144	139	141	151	153
	530	136	123	127	123	140	132	127	129	139	140
	700	127	114	118	115	130	123	118	120	129	130
	1050	112	102	105	102	115	109	105	107	114	116
128	350	140	127	130	127	144	136	131	133	143	144
	530	136	123	126	123	140	132	127	129	138	140
	700	129	117	120	117	133	126	121	123	132	133
	1050	114	103	106	103	117	111	106	108	116	117
192	350	147	133	137	134	151	144	138	140	150	152
	530	139	126	129	126	143	135	130	132	141	143
	700	131	118	122	119	134	127	122	124	133	134
	1050	113	102	105	102	116	110	106	107	115	116
256	350	151	137	141	137	155	147	141	144	154	156
	530	140	127	130	127	144	137	131	133	143	144
	700	131	119	122	119	135	128	123	125	134	135
	1050	116	104	107	105	119	112	108	110	118	119

BLX-II 4K LPW Data											
#LED's	mA	Type 1	Type 2	Type 3	Type 4	Type 4A	Type 5	Type 5W	Type 5WR	Type FN	Type FM
96	350	156	141	145	142	160	152	146	148	159	161
	530	143	129	133	130	147	139	134	136	146	147
	700	133	120	124	121	137	130	124	126	136	137
	1050	118	107	110	107	122	115	111	112	120	122
128	350	148	133	137	134	151	144	138	140	150	152
	530	143	129	133	130	147	139	134	136	146	147
	700	136	123	127	123	140	133	127	129	139	140
	1050	120	108	111	108	123	116	112	114	122	123
192	350	155	140	144	141	159	151	145	147	158	160
	530	146	132	136	133	150	142	137	139	149	150
	700	138	124	128	125	141	134	129	131	140	142
	1050	119	107	111	108	122	116	111	113	121	122
256	350	159	144	148	144	163	155	149	151	162	164
	530	148	133	137	134	152	144	138	140	150	152
	700	138	125	129	125	142	135	129	131	141	142
	1050	122	110	113	110	125	118	114	115	124	125

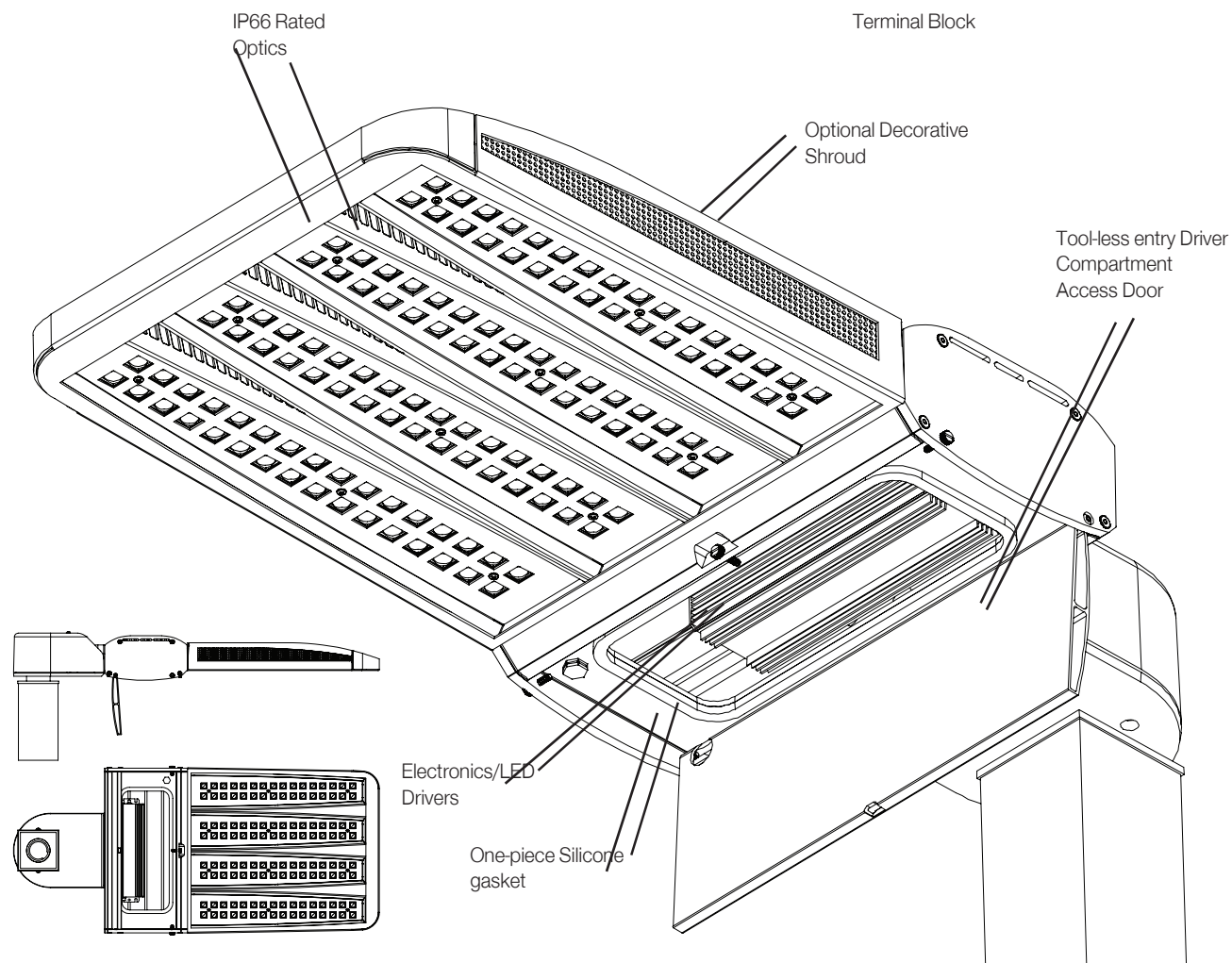
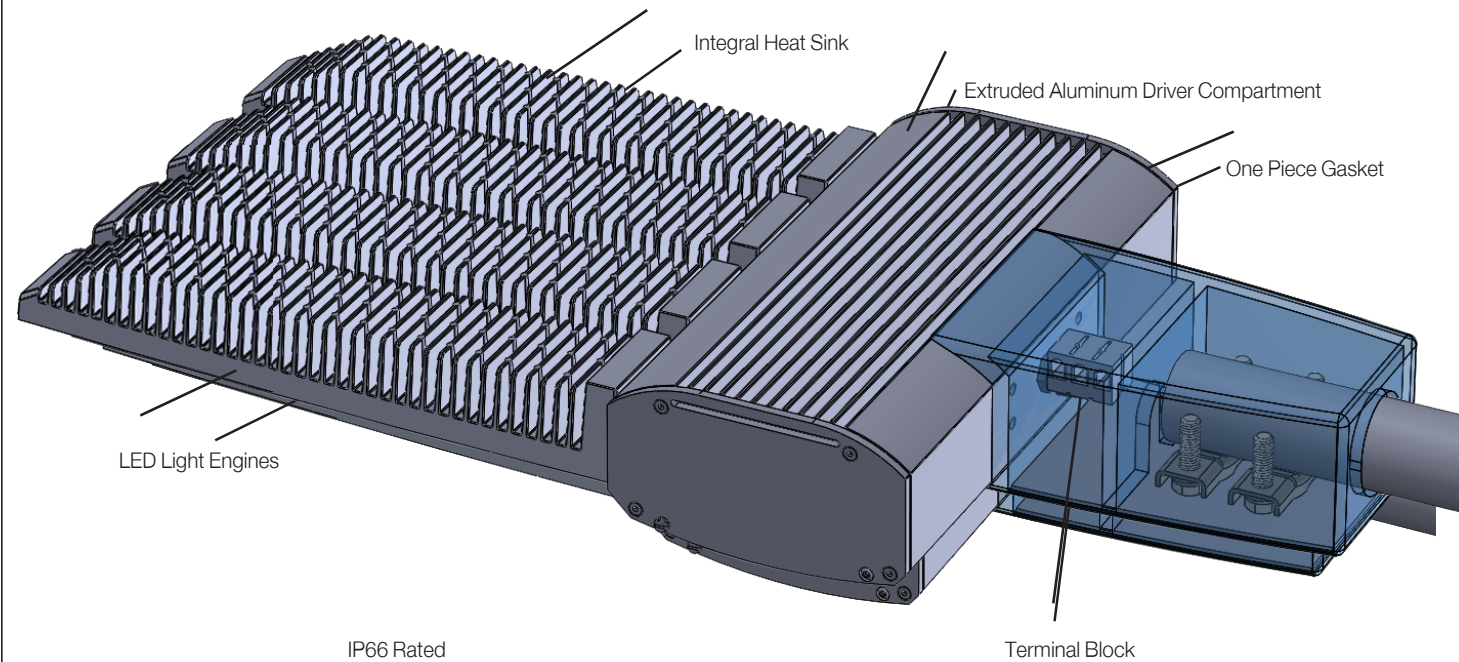
BLX-II 5K LPW Data											
#LED's	mA	Type 1	Type 2	Type 3	Type 4	Type 4A	Type 5	Type 5W	Type 5WR	Type FN	Type FM
96	350	150	135	139	136	154	146	140	142	152	154
	530	138	124	128	125	141	134	128	131	140	141
	700	128	115	119	116	131	124	119	121	130	131
	1050	114	103	106	103	117	111	106	108	116	117
128	350	142	128	132	128	145	138	132	134	144	146
	530	137	124	128	125	141	134	128	130	140	141
	700	131	118	122	119	134	127	122	124	133	134
	1050	115	104	107	104	118	112	107	109	117	118
192	350	149	135	138	135	153	145	139	141	152	153
	530	140	127	130	127	144	137	131	133	143	144
	700	132	119	123	120	136	129	123	125	134	136
	1050	114	103	106	103	117	111	107	108	116	117
256	350	153	138	142	138	157	149	143	145	155	157
	530	142	128	132	129	146	138	132	135	144	146
	700	133	120	123	120	136	129	124	126	135	137
	1050	117	105	108	106	120	114	109	111	119	120

BLX-II 3K BUG Data																																		
LED's	mA	Type 1	Type 2	Type 3	Type 4	Type 4A	Type 5	Type 5W	Type 5WR	Type FN	Type FM																							
96	350	4	0	4	3	0	3	2	0	2	2	0	2	2	0	2	4	0	2	4	0	2	4	0	2	5	0	1	5	0	1			
	530	4	0	4	3	0	3	3	0	3	3	0	3	3	0	3	4	0	2	4	0	2	5	0	3	4	0	2	5	0	1	5	0	1
	700	5	0	5	3	0	4	3	0	4	3	0	4	3	0	3	5	0	3	5	0	3	5	0	3	5	0	3	5	0	1	5	0	1
	1050	5	0	5	4	0	5	3	0	4	3	0	4	3	0	3	5	0	3	5	0	4	5	0	4	5	0	4	5	0	1	5	0	1
128	350	4	0	4	3	0	3	2	0	3	3	0	3	3	0	2	4	0	2	4	0	2	4	0	2	4	0	2	5	0	1	5	0	1
	530	5	0	5	3	0	4	3	0	4	3	0	4	3	0	3	5	0	3	5	0	3	5	0	3	5	0	3	5	0	1	5	0	1
	700	5	0	5	4	0	5	3	0	4	3	0	4	3	0	4	5	0	3	5	0	3	5	0	3	5	0	3	5	0	1	5	0	1
	1050	5	0	5	4	0	5	3	0	4	3	0	4	3	0	3	5	0	3	5	0	4	5	0	4	5	0	4	5	0	1	5	0	1
192	350	5	0	5	3	0	4	3	0	4	3	0	4	3	0	3	5	0	3	5	0	3	5	0	3	5	0	3	5	0	1	5	0	1
	530	5	0	5	4	0	5	3	0	5	4	0	5	4	0	3	5	0	4	5	0	4	5	0	4	5	0	4	5	0	2	5	0	2
	700	5	0	5	4	0	5	4	0	5	4	0	5	4	0	4	5	0	4	5	0	5	5	0	5	5	0	5	5	0	2	5	0	2
	1050	5	0	5	5	0	5	4	0	5	4	0	5	5	0	4	5	0	5	5	0	5	5	0	5	5	0	5	5	0	2	5	0	2
256	350	5	0	5	4	0	5	3	0	4	4	0	5	4	0	3	5	0	4	5	0	4	5	0	4	5	0	4	5	0	2	5	0	2
	530	5	0	5	4	0	5	4	0	5	4	0	5	4	0	4	5	0	4	5	0	5	5	0	5	5	0	5	5	0	2	5	0	2
	700	5	0	5	5	0	5	4	0	5	4	0	5	5	0	4	5	0	5	5	0	5	5	0	5	5	0	5	5	0	2	5	0	2
	1050	5	0	5	5	0	5	5	0	5	5	0	5	5	0	5	5	0	5	5	0	5	5	0	5	5	0	5	5	0	3	5	0	3

BLX-II 4K BUG Data																																		
LED's	mA	Type 1	Type 2	Type 3	Type 4	Type 4A	Type 5	Type 5W	Type 5WR	Type FN	Type FM																							
96	350	4	0	4	3	0	3	2	0	2	3	0	2	2	0	2	4	0	2	4	0	2	4	0	2	4	0	2	5	0	1	5	0	1
	530	4	0	4	3	0	3	3	0	3	3	0	3	3	0	3	4	0	2	4	0	2	5	0	3	4	0	2	5	0	1	5	0	1
	700	5	0	5	3	0	4	3	0	4	3	0	4	3	0	3	5	0	3	5	0	3	5	0	3	5	0	3	5	0	1	5	0	1
	1050	5	0	5	4	0	5	3	0	4	4	0	5	3	0	3	5	0	3	5	0	4	5	0	4	5	0	4	5	0	1	5	0	1
128	350	4	0	4	3	0	3	2	0	3	3	0	3	3	0	2	4	0	2	4	0	2	4	0	2	4	0	2	5	0	1	5	0	1
	530	5	0	5	3	0	4	3	0	4	3	0	4	3	0	3	5	0	3	5	0	3	5	0	3	5	0	3	5	0	1	5	0	1
	700	5	0	5	4	0	5	3	0	4	3	0	4	3	0	3	5	0	3	5	0	4	5	0	4	5	0	4	5	0	1	5	0	1
	1050	5	0	5	4	0	5	3	0	5	4	0	5	4	0	3	5	0	4	5	0	5	5	0	5	5	0	5	5	0	2	5	0	2
192	350	5	0	5	4	0	4	3	0	4	3	0	4	3	0	3	5	0	3	5	0	4	5	0	4	5	0	3	5	0	1	5	0	1
	530	5	0	5	4	0	5	3	0	5	4	0	5	4	0	3	5	0	4	5	0	4	5	0	4	5	0	4	5	0	2	5	0	2
	700	5	0	5	4	0	5	4	0	5	4	0	5	4	0	4	5	0	4	5	0	5	5	0	5	5	0	5	5	0	2	5	0	2
	1050	5	0	5	5	0	5	4	0	5	5	0	5	5	0	4	5	0	5	5	0	5	5	0	5	5	0	5	5	0	2	5	0	2
256	350	5	0	5	4	0																												

BLX-II LED Specifications

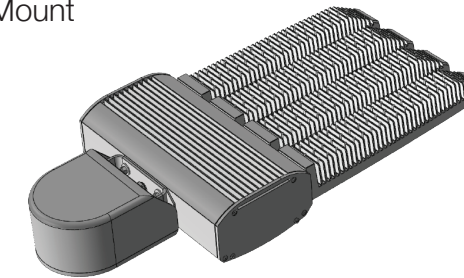
BLX Features



LED Specifications **BLX-II**

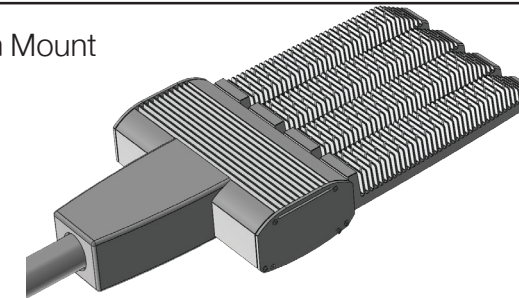
BLX-II Mounting Options

Post Top Mount



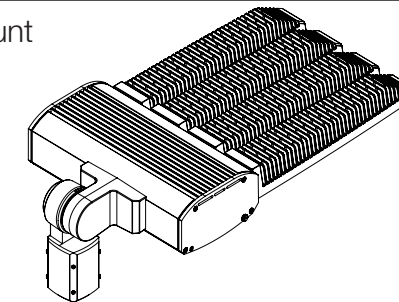
Post Top fits over a 2" - 2-3/8" tenon and is adjustable up to 45 degrees.

Mast Arm Mount



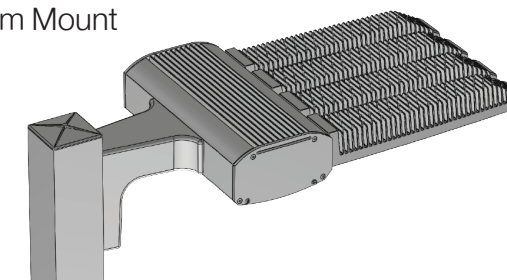
Mast Arm Fitter fits over a 2" - 2-3/8" tenon.

Knuckle Mount



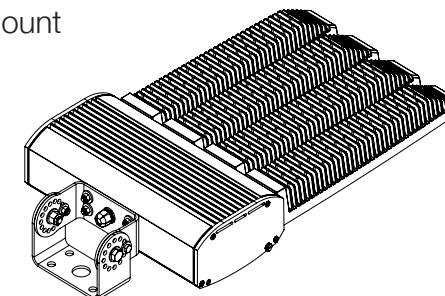
An adjustable knuckle slip fits over a 2-3/8" Tenon, and allows for up to 50 degrees of vertical adjustment in 10 degree increments from horizontal, as well as full side to side adjustment with the knuckle mount.

Bolt-On Arm Mount



The Bolt-On Arm (BOA) utilizes a 2 piece cleat system for easy installation. A Round Pole Plate Adaptor (RPP) is required for mounting to round poles.

Trunnion Mount



Trunnion Mount is adjustable up to 50 degrees.



VISIONAIRE
LIGHTING

19645 Rancho Way . Rancho Dominguez, CA 90220

310.512.6480

www.VisionaireLighting.com