



TURTLE SAFE

LED Luminaires

QUALITY • PERFORMANCE • STYLE



Turtle Safe LED Lighting

In coastal areas near well-established turtle nests and areas surrounding observatories, meeting the light pollution requirements placed by the authorities is often difficult to meet with conventional lighting sources. The installations of special “Low Pressure Sodium” Bulbs are often required. There have not been many viable options for LEDs for this application due to the performance of Amber LEDs on the market. With recent improvements on true amber also known as “AllnGaP” LEDs, Visionaire Lighting is able to offer LED fixtures that are comparable to its LPS predecessors. Our new Turtle Safe fixtures have been designed and tested to meet the general requirements of the *Florida Wildlife Commission* for Turtle Safe Lighting (listing with the FWC is currently pending). We offer custom shielding options to ensure that your fixtures will pass inspections, and meet any special photometric requirements that your particular site may have.

Our turtle Safe fixtures operate at a dominant wavelength of 590nm. This makes our fixtures ideal for installations with stringent light pollution requirements such as near observatories, beaches or any locations where light pollution is of significant concern, or turtle nesting areas. Switching to LED can also help minimize your carbon footprint. Visionaire Lighting offers the option to design our PGA as a Turtle Safe Hybrid that will allow you to operate Turtle Safe lighting during nesting season, and white light during the off season. This is great for those who enjoy white light but must comply with Turtle Safe lighting during nesting season.



Kennedy Space Center, Florida, BOW LX Turtle Safe LED Luminaire

Key Features

- Uses only long wavelength “turtle friendly” LED Lighting
- Longer lifetime/lower maintenance cost
- True Amber “AllnGaP” LEDs
- Optimal photometric distributions
- Lower maintenance
- Directional light distribution
- Wireless controlled motion sensors
- Custom shields are available upon request. Please contact the factory to speak with a representative.



PGA LED Luminaire



The PGA LED luminaire is your solution for energy efficient Turtle Safe LED lighting. The housing is formed aluminum with an integral heat sink for maximum heat dissipation, and your option of 16, 32 or 48 LEDs. The PGA is offered as a Turtle Safe hybrid. This will allow you to operate Turtle Safe lighting during nesting season, and white light during the off season. This is great for those who enjoy white light but must comply with Turtle Safe lighting during nesting season.

Key Features

- All aluminum construction
- Turtle Safe hybrid capable
- Custom shielding available
- Motion sensor and day light harvesting ready
- Low profile, conduit or pendant mount
- Six available optical distribution patterns
- Dimming capable



PGA LED

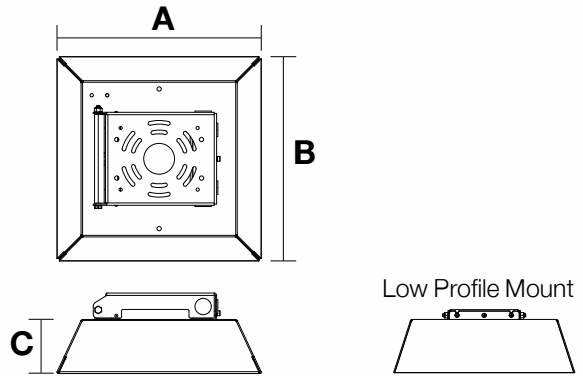
Project Name:

Catalog Number:

Type



Dimensional Drawings



Fixture	A	B	C	Max. LEDs	Lbs
PGA	15"	15"	4.5"	48	15

The new **PGA** LED luminaire from Visionaire, simplifies the task of selecting the best solution for LED parking garage lighting. The design of the luminaire, compliments the design of the pre-cast concrete coffer; creating an integrated lighting effect; and maximizes the perceived lighting coverage. It is an ideal replacement for the high-maintenance fluorescent or HID fixtures of yesterday.

The LED housing is formed aluminum with internal heat sink for maximum heat dissipation; with either 16, 32 or 48 LEDs. The formed aluminum driver compartment allows the driver to operate cooler for long life. Available with a Low Profile Ceiling Mount Bracket, a Speed Mount Bracket for surface conduit mounting, or Pendant Mounting.

Six optical distribution patterns are available. Choose between 4000 or 5000 Kelvin temperature of the LED's.

A durable polyester powder coat finish is guaranteed for five years; and is available in standard or custom colors.

The **PGA** LED series is an exceptional choice for parking garage lighting and other ceiling mount applications.

Model	Optics	Source	Milliamps	Kelvin	Voltage	Mounting	Finish	Options
PGA-1	Type I (T1) 	# of LEDs 16 (16LC)	mA 350 (3)	Amber (TS)	120-277 *Universal voltage (UNV)	Low Profile Mount Ceiling Mount *No Conduit Feed (LPM)	Bronze (BZ)	0-10v Dimming Driver No Controls (DIM)
	Type II (T2) 	32 (32LC)	530 (5)		480 (5)	Speed Mount Bracket™ Ceiling Mount (SMB)	Black (BK)	Motion Sensor/Control Watt Stopper FSP-211 22' Distance @ 8' CLG HT Must specify Dimming Driver. *120V-277V Only (WSC)
	Type III (T3) 	48 (48LC)			347 (8)	Pendant Mount 12" (PM12) 24" (PM24) 36" (PM36)	Graphite (GP)	Motion Sensor 20' Distance @ 8' CLG HT Must specify Dimming Driver. Can use with Wireless Control *120V-277V Only (MS)
	Type IV (T4) 						Custom Color (CC)	10kV Surge Protector (10KV)
	Type V (T5) 					*347V & 480 V not available in 16LC		Emergency Battery Pack *120V-277V Only (EBPL)
	Type V-W (T5W) 					*347V & 480 V not available in 32LC 350 mA		Dual Circuit (DC)

For more detailed information on mounting, wiring or installation instructions, please consult factory. If poles are not ordered with fixtures, please specify mounting requirements. This document contains proprietary information of Visionaire Lighting, LLC. Any use of this information requires the written approval of Visionaire Lighting, LLC. In keeping with our TQM policy of continuous improvement, Visionaire reserves the right to change any specifications contained herein without prior notice.

VLX LED Luminaire



The VLX is a high performance modern architectural LED luminaire with the flexibility to be used in all outdoor lighting applications. It's sleek design takes advantage of the low profile LED technology. With integral cooling fins for superior thermal management it allows for maximum LPW output. It's die cast aluminum construction and durable polyester powder coat finish provide years of reliable operation. The VLX LED series is an exceptional choice for commercial parking lots, office complexes, architectural projects, and other general lighting projects.

Key Features

- Die cast aluminum housing
- Custom shielding available
- Six available optical distribution patterns
- Universal pole mount adaptor
- Integral heat sink
- Tool-less entry
- Separate driver compartment

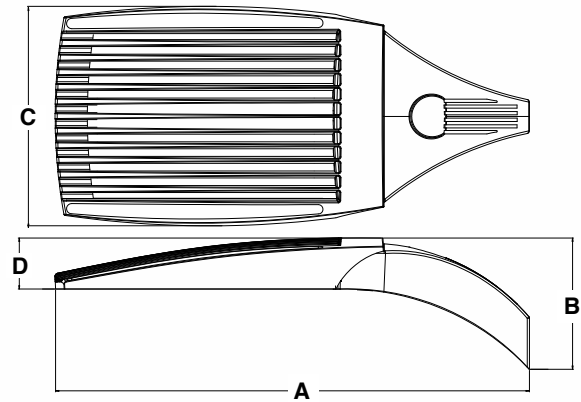
**IP65
RATED**



**POWDER
COATED
TOUGH**



Dimensional Drawings



Fixture	A	B	C	D	Max. Watts	Lbs
VLX-1	36"	10.25"	15.5"	4"	414	58



The new VLX LED Series offers clean, functional styling that is defined by its sleek low profile design and rugged construction. It combines LED performance and advanced LED thermal management technology and provides outdoor lighting that is both energy efficient and aesthetically pleasing.

The LED's performance and the driver's life are maximized by enclosing them in two separate die cast aluminum housings. Easy tool-less access for mounting and maintenance.

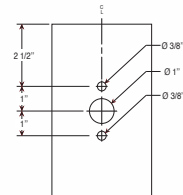
The LED light assemblies come with 96 to 192 LEDs. Seven optical distribution patterns are available.

A durable polyester powder coat finish is guaranteed for five years; and is available in standard or custom colors.

The VLX LED series is an exceptional choice for commercial parking lots, office complexes, architectural projects, and other general lighting projects.

Model	Optics	Source	Current	Kelvin	Voltage	Mounting	Finish	Options
VLX-1	Type I (T1) 	# of LEDs 96 (96LC)	mA 350 (3)	Amber (TS)	120-277 *Universal voltage (UNV)	Arm Mount (AM)	Bronze (BZ)	Photocell & Receptacle <small>*Specify voltage</small> (PCR120) (PCR208) (PCR240) (PCR277) Photo Receptacle (PER) <small>*With shorting cap</small> Round Pole Plate Adaptor For 3"Ø Pole (RPP3) For 4"Ø Pole (RPP4) For 5"Ø Pole (RPP5) 0-10v Dimming Driver No Controls (DIM) Motion Sensor <small>*Works with ESP-211</small> (WSC-8) 8' Mounting Height (WSC-20) 9-20' Mounting Height (WSC-40) 21-40' Mounting Height This option will require (1) FSIR 100 remote for programming Wireless Control Consult Factory (WC) Universal Pole Mount Adaptor (UPMA) Cutoff Louver Shield (CLS) House Side Shield (HSS)
	Type II (T2) 	128* (128LC)	530 (5)		480 (5) Not available in 1 amp		Black (BK)	
	Type III (T3) 	160* (160LC)			347 (8) Not available in 1 amp		Smooth Black (SBK)	
	Type IV (T4) 	192* (192LC)					Graphite (GP)	
	Type IV-A (T4A) Type IV-AR (T4AR) Rotated Right Type IV-AL (T4AL) Rotated Left 						Custom Color (CC)	
Type V (T5) 								
Type V-W (T5W) 								

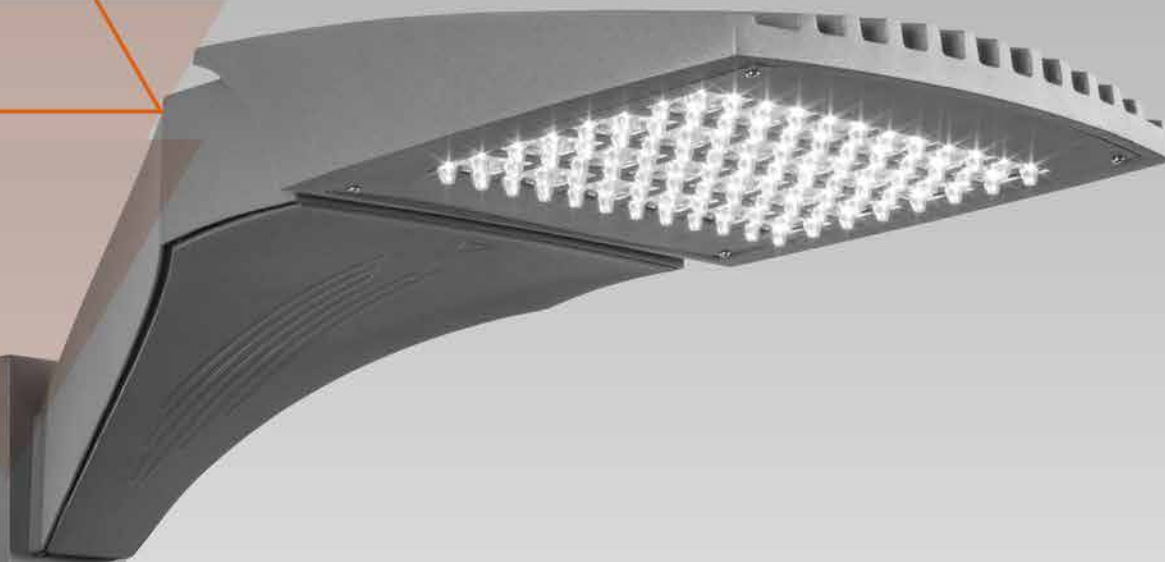
VLX DRILL DIAGRAM



Round Pole Plate Adaptors (RPP) are to be ordered separately.

For more detailed information on mounting, wiring or installation instructions, please consult factory. If poles are not ordered with fixtures, please specify mounting requirements. This document contains proprietary information of Visionaire Lighting, LLC. Any use of this information requires the written approval of Visionaire Lighting, LLC. In keeping with our TQM policy of continuous improvement, Visionaire reserves the right to change any specifications contained herein without prior notice.

VMX LED Luminaire



The VMX is part of our top-rated V-Collection Series. It offers high-performance and flexibility for all area lighting applications big or small. The performance and life of the LEDs and drivers are maximized due to being enclosed in two separate cast aluminum housings. The VMX also comes with tool-less access for easy mounting and maintenance. LED light assemblies come in 32, 64 or 96 LEDs, and your choice of six optical distribution pattern options.

Key Features

- Custom shielding available
- Die Cast aluminum housing
- Tool-less entry
- Integral heat sink
- Six optical distribution patterns
- Separate driver compartment

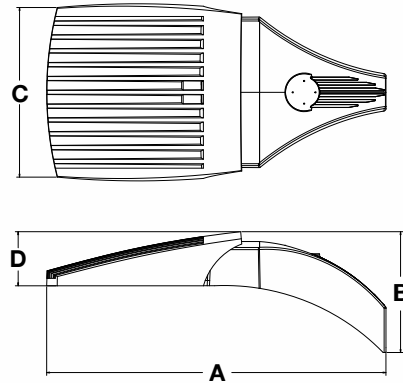
IP65
RATED



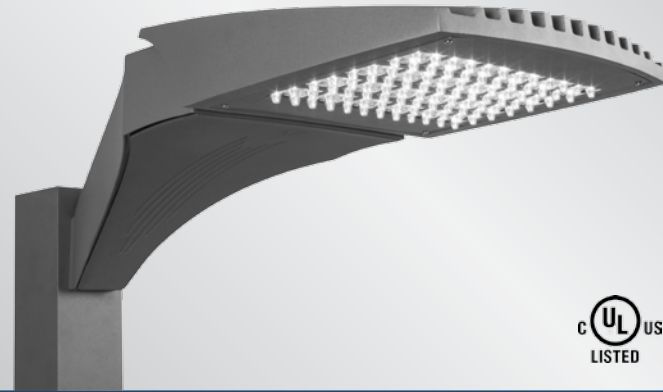
**POWDER
COATED
TOUGH™**



Dimensional Drawings



Fixture	A	B	C	D	Max. Watts	Lbs
VMX-1	29"	10.75"	15.5"	4"	214	49



The new VMX LED Series offers clean, functional styling that is defined by its sleek low profile design and rugged construction. It combines LED performance and advanced LED thermal management technology and provides outdoor lighting that is both energy efficient and aesthetically pleasing.

The LED's performance and the driver's life are maximized by enclosing them in two separate cast aluminum housings. Easy tool-less access for mounting and maintenance.

The LED light assemblies come with 32 to 96 LEDs. Seven optical distribution patterns are available.

A durable polyester powder coat finish is guaranteed for five years; and is available in standard or custom colors.

The VMX LED series is an exceptional choice for commercial parking lots, office complexes, architectural projects, and other general lighting projects.

Model	Optics	Source	Current	Kelvin	Voltage	Mounting	Finish	Options
VMX-1	Type I (T1) 	# of LEDs 32 (32LC)	mA 350 (3)	Amber (TS)	120-277 *Universal voltage (UNV)	Arm Mount (AM)	Bronze (BZ)	Photocell & Receptacle *Specify voltage (PCR120) (PCR208) (PCR240) (PCR277)
	Type II (T2) 	64 (64LC)	530 (5)		480* (5)	Wall Mount *Cast Wall Plate (BAWP) to be ordered separately (WM)	Black (BK)	Photo Receptacle (PER) *With shorting cap
	Type III (T3) 	96 (96LC)			347* (8)	Round Pole Plate Adaptors (RPP) are to be ordered separately.	Smooth Black (SBK)	Round Pole Plate Adaptor For 3" Pole (RPP3) For 4" Pole (RPP4) For 5" Pole (RPP5)
	Type IV (T4) 	*Not available in 1000mA			*347V & 480V no available in 32LC 350mA	VMX DRILL DIAGRAM 	Graphite (GP)	Cast Wall Plate (BAWP)
	Type IV-A (T4A) 					*UPMA to be ordered separately 	Custom Color (CC)	0-10v Dimming Driver No Controls (DIM)
	Type V (T5) 							Motion Sensor *Works with FSP-211 (WSC-8) 8' Mounting Height (WSC-20) 9-20' Mounting Height (WSC-40) 21-40' Mounting Height
	Type V-W (T5W) 							This option will require (1) FSIR 100 remote for programming
								Wireless Control Consult Factory (WC)
								Universal Pole Mount Adaptor (UPMA)
								Cutoff Louver Shield (CLS)
							House Side Shield (HSS)	

For more detailed information on mounting, wiring or installation instructions, please consult factory. If poles are not ordered with fixtures, please specify mounting requirements. This document contains proprietary information of Visionaire Lighting LLC. Any use of this information requires the written approval of Visionaire Lighting, LLC. In keeping with our TQM policy of continuous improvement, Visionaire reserves the right to change any specifications contained herein without prior notice.



The VSX is part of our top-rated V-Collection Series. It offers high-performance and flexibility for all area lighting applications big or small. The performance and life of the LEDs and drivers are maximized due to being enclosed in two separate cast aluminum housings. The VSX also comes with tool-less access for easy mounting and maintenance. LED light assemblies come in 16, 32 or 48 LEDs, and your choice of six optical distribution pattern options.

Key Features

- Custom shielding available
- Cast aluminum housing
- Tool-less entry
- Integral heat sink
- Six optical distribution patterns
- Separate driver compartment



VSX LED

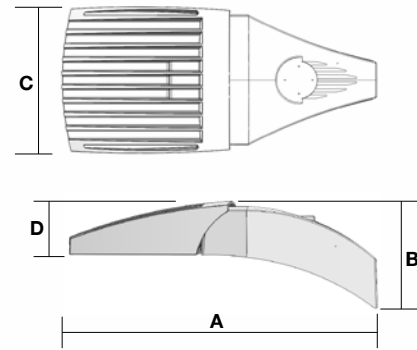
Project Name:

Catalog Number:

Type



Dimensional Drawings



Fixture	A	B	C	D	Max. Watts	Lbs
VSX-1	23"	8"	12.5"	4"	165	25

The VSX LED Series offers clean, functional styling that is defined by its sleek low profile design and rugged construction. It combines LED performance and advanced LED thermal management technology and provides outdoor lighting that is both energy efficient and aesthetically pleasing.

The LED's performance and the driver's life are maximized by enclosing them in two separate cast aluminum housings. Easy captive screw access for mounting and maintenance.

The LED light assemblies come with 16 to 48 LEDs. Seven optical distribution patterns are available. Choose Amber Kelvin temperature of the LEDs.

A durable polyester powder coat finish is guaranteed for five years; and is available in standard or custom colors.

The VSX LED series is an exceptional choice for commercial parking lots, office complexes, architectural projects, and other general lighting projects.

Model	Optics	Source	Current	Kelvin	Voltage	Mounting	Finish	Options	
VSX-1	Type I (T1) 	# of LEDs 16 (16LC)	mA 350 (3)	Amber (TS)	120-277 *Universal voltage (UNV)	Arm Mount (AM)	Bronze (BZ)	Photocell & Receptacle *Specify voltage (PCR120) (PCR208) (PCR240) (PCR277)	
	Type II (T2) 	32* (32LC)	530 (5)		480* (5)	Wall Mount *Cast Wall Plate (BAWP) to be ordered separately (WM)	Black (BK)	Photo Receptacle (PER) *With shorting cap	
	Type III (T3) 	48 (48LC)			347* (8)	VSX DRILL DIAGRAM Round Pole Plate Adaptors (RPP) are to be ordered separately. *UPMA to be ordered separately 	Smooth Black (SBK)	Round Pole Plate Adaptor For 3" Ø Pole (RPP3) For 4" Ø Pole (RPP4) For 5" Ø Pole (RPP5)	
	Type IV (T4) 	*347V & 480V not available in 32LC 350mA			*347V & 480V not available in 16LC		Graphite (GP)	Cast Wall Plate (BAWP)	Cast Wall Plate (BAWP)
	Type IV-A (T4A) 						Custom Color (CC)	0-10v Dimming Driver No Controls (DIM)	0-10v Dimming Driver No Controls (DIM)
	Type V (T5) 							Motion Sensor *Works with FSP-211 (WSC-8) 8" Mounting Height (WSC-20) 9-20" Mounting Height (WSC-40) 21-40" Mounting Height	Motion Sensor *Works with FSP-211 (WSC-8) 8" Mounting Height (WSC-20) 9-20" Mounting Height (WSC-40) 21-40" Mounting Height
Type V-W (T5W) 							Wireless Control Consult Factory (WC)	This option will require (1) FSIR 100 remote for programming	
								Universal Pole Mount Adaptor (UPMA)	Universal Pole Mount Adaptor (UPMA)
								Cutoff Louver Shield (CLS)	Cutoff Louver Shield (CLS)
								House Side Shield (HSS)	House Side Shield (HSS)

For more detailed information on mounting, wiring or installation instructions, please consult factory. If poles are not ordered with fixtures, please specify mounting requirements. This document contains proprietary information of Visionaire Lighting, LLC. Any use of this information requires the written approval of Visionaire Lighting, LLC. In keeping with our TQM policy of continuous improvement, Visionaire reserves the right to change any specifications contained herein without prior notice.

V-Sconce LED Luminaire



The V-Sconce is a sleek and modern fixture that provides state-of-the-art energy efficiency and performance. The LED's performance and the driver's life are maximized due to being enclosed in two separate cast aluminum housings. With three light distribution patterns and LED count you can tailor your fixture to match your site as well as lighting specifications perfectly.

Key Features

- Cast aluminum housing
- Custom shielding available
- 3 optical distribution patterns
- Dimming capable
- Integral heat sink
- Separate driver compartment

**IP65
RATED**



**POWDER
COATED
TOUGH™**



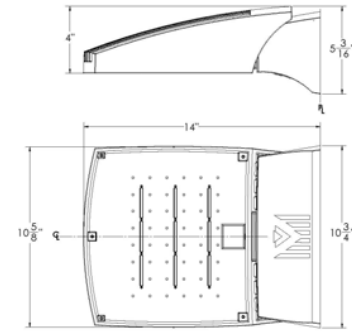
V-Sconce LED

Project Name:

Catalog Number:

Type

Dimensional Drawings



Fixture	A	B	C	Max. LEDs	Lbs
VSC-1	14"	5"	10.5"	48	20

The new V-Sconce LED wall mount Series continues the unique contemporary design that is inspired by the VLX area light series. It combines LED performance and advanced LED thermal management technology and provides lighting that is energy efficient and aesthetically pleasing.

The LED's performance and the driver's life are maximized by enclosing them in two separate cast aluminum housings.

Easy access for mounting and maintenance.

The LED light assemblies come with 16, 32, or 48 LEDs. Three optical distribution patterns are available.

A durable polyester powder coat finish is guaranteed for five years; and is available in standard or custom colors.

The V-Sconce Series is an exceptional choice for office complexes, schools, commercial buildings, and many architectural projects.

Model	Optics	Source	Milliamps	Kelvin	Voltage	Mounting	Finish	Options	
VSC-1	Type II (T2)	# of LEDs 16 (16LC) <small>*Not available in 700mA</small>	mA 350 (3)	Amber (TS)	120-277 <small>*Universal voltage</small> (UNV)	WallMount (WM) Conduit Box (VCB)	Bronze (BZ) Black (BK) Graphite (GP) Custom Color (CC)	Button Type Photocell <small>*Specify voltage.</small> (PC120) (PC208) (PC240) (PC277) <small>*Not available with (EBPL)</small> Emergency Battery Pack (EBPL) Motion Sensor <small>*Works with FSP-211</small> (WSC-8) <small>8' Mounting Height</small> (WSC-20) <small>9-20' Mounting Height</small> (WSC-40) <small>21-40' Mounting Height</small> 0-10 Volt Dimming Driver (DIM) Up-Light Orientation (UP) <small>*Not available with motion sensor (MS)</small> Cutoff Louver Shield (CLS) House Side Shield (HSS)	
	Type III (T3)	32 (32LC)	530 (5)						480 (5) <small>*Not available in 1Amp</small>
	Type IV (T4)	48 (48LC)							

For more detailed information on mounting, wiring or installation instructions, please consult factory. If poles are not ordered with fixtures, please specify mounting requirements. This document contains proprietary information of Visionaire Lighting LLC. Any use of this information requires the written approval of Visionaire Lighting, LLC. In keeping with our TQM policy of continuous improvement, Visionaire reserves the right to change any specifications contained herein without prior notice.

BOW LX LED Luminaire



The BOW LX has great cutoff capabilities and a wide range of light levels for all applications. A dedicated heat sink for each LED array maximizes the thermal management characteristics of the BOW LX. An adjustable knuckle slip fits over a 2 3/8" tenon, and allows for up to 90° degrees of vertical adjustment in 10° degree increments from horizontal, as well as full side-to-side adjustment. The BOW LX is ideal for parking lots, large lighting areas and general area lighting.

Key Features

- Custom shielding available
- Die cast & extruded aluminum housings
- Integrated heat sink
- Field adjustable knuckle



IP65
RATED



BOW LX LED

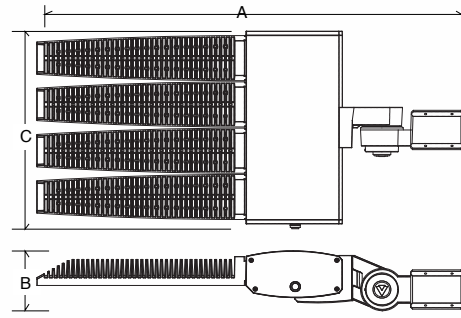
Project Name:

Catalog Number:

Type



Dimensional Drawings



Fixture	A	B	C	Max. Watts	Lbs
BLX-4	37"	5"	17"	444	48
BLX-6	37"	5"	25"	614	72
BLX-8	37"	5"	33"	879	96

The new BOW LX LED Series continues the unique contemporary design inspired by the sleek styling of the BOW family. Separating the extruded aluminum driver housing and the individual die-cast aluminum linear LED engines: optimize the life of the LEDs and the Driver(s); and maximizes the lumen output of the fixture. The adjustable knuckle allows for up to 90° degrees of vertical adjustment for putting the light exactly where you need it.

Each of the individual LED light engines come with 32 LEDs; for a max total of 256 LEDs. Six optical distribution patterns are available.

A unique Type 4-A automotive distribution pattern is available for the front rows of Auto Dealerships.

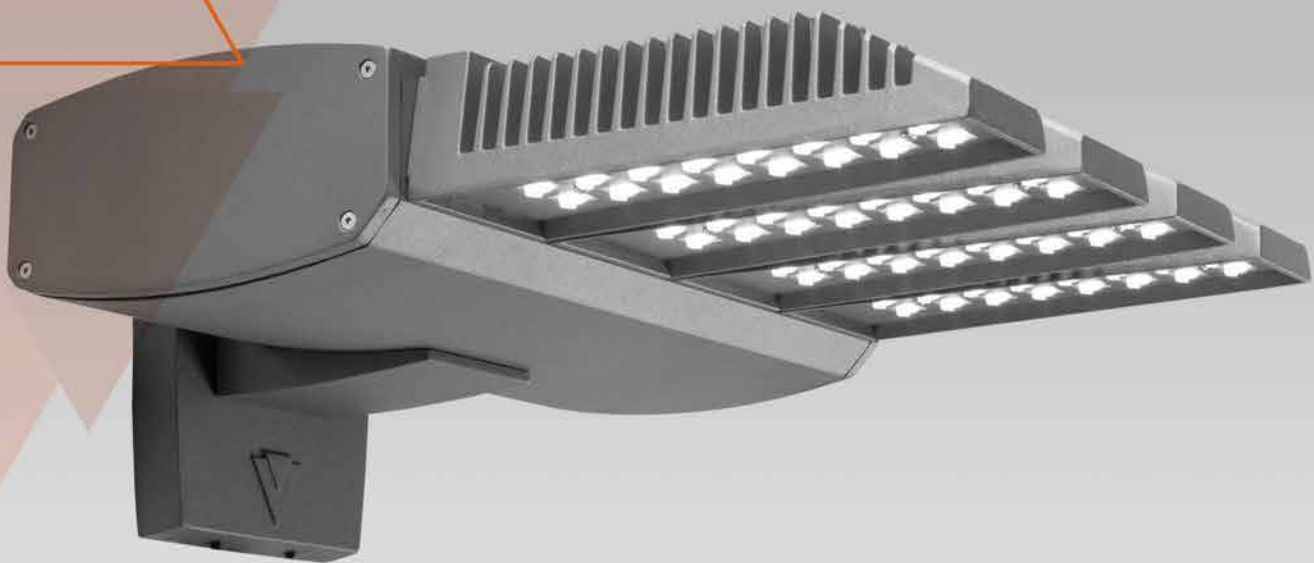
A durable polyester powder coat finish is guaranteed for five years; and is available in standard or custom colors.

The BOW LX LED series is an exceptional choice for auto dealerships, shopping centers, commercial parking lots and general area lighting.

Model	Optics	Source	Current	Kelvin	Voltage	Mounting	Finish	Options
BLX-3	Type I (T1)	# Of LEDs 96 (96LC)	mA 350 (3)	Amber (TS)	120-277 *Universal Voltage (UNV)	Bolt-On Arm 6" (BOA6)	Bronze (BZ)	Button Type Photocell *Specify voltage. (PC120) (PC208) (PC240) (PC277)
BLX-4	Type II (T2)	128 (128LC)	530 (5)	Amber (560nm)	480 (5)		Black (BK)	Photocell & Receptacle *Specify voltage (PCR120) (PCR208) (PCR240) (PCR277)
BLX-6	Type III (T3)	192 (192LC)	347 (8)		Smooth White (SWH)		Photo Receptacle (PER) *With shorting cap	
BLX-8	Type IV (T4)	256 (256LC)			Graphite (GP)		Round Pole Plate Adaptor For 4" Pole (RPP4) For 5" Pole (RPP5)	
	Type IV-A (T4A)	Motion Sensor *Works with ESP-211 (WSC-8) 8" Mounting Height (WSC-20) 9-20" Mounting Height (WSC-40) 21-40" Mounting Height *For BOA Mounting Option Only This option will require (1) FSIR 100 remote for programming			Custom Color (CC)		Pole Mounted Motion Sensor (SBOR OEX) (SBOR ODP) *w/ photocell	
Type V (T5)	Universal Pole Mount Adaptor (UPMA) *Only available for BLX-3, BLX-4 & BLX-6							
Type V-W (T5W)	Decorative Shroud (DS)							
Type FN (FN)	Cutoff Louver Shield (CLS)							
Type FM (FM)								

For more detailed information on mounting, wiring or installation instructions, please consult factory. If poles are not ordered with fixtures, please specify mounting requirements. This document contains proprietary information of Visionaire Lighting, LLC. Any use of this information requires the written approval of Visionaire Lighting, LLC. In keeping with our TQM policy of continuous improvement, Visionaire reserves the right to change any specifications contained herein without prior notice.

BOW SX LED Luminaire



The BOW SX uses the successful BOW components to create superior even lighting for all levels of applications. A dedicated heat sink for each LED array maximizes the thermal management characteristics of the BOW SX. The BOW SX comes with 32, 48 or 64 LEDs and is wall mount or bolt-on arm mounting capable. It's painted rugged tough with a durable polyester powder coat in your choice of 8 standard or any custom color.

Key Features

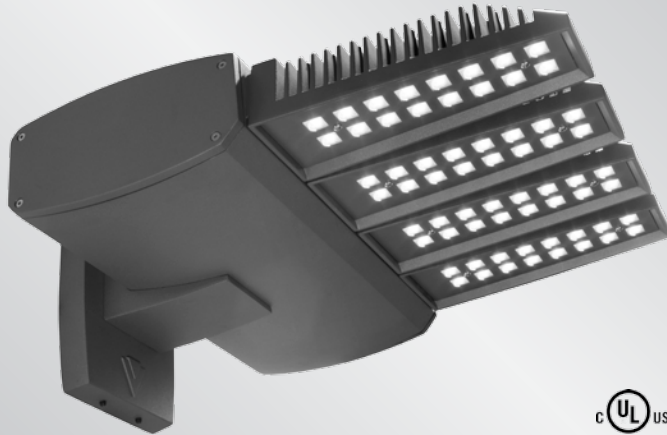
- Custom shielding available
- Multi-mount options
- Heavy-duty die cast aluminum
- Field adjustable knuckle
- 8 IES optic patterns
- Quick Install

BOW SX LED

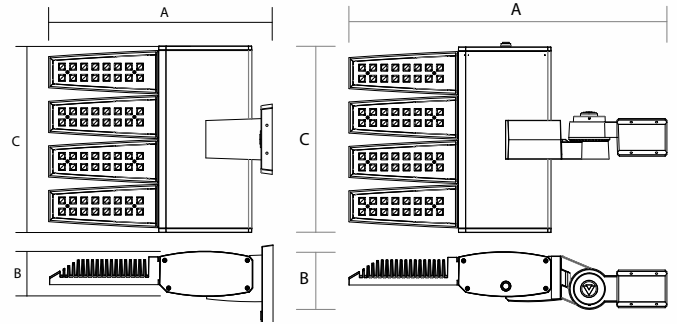
Project Name:

Catalog Number:

Type



Dimensional Drawings



Fixture	A	B	C	Max. Watts	Lbs
BSX-2	20" or 28.5"	5"	8.75"	111	15
BSX-3	20" or 28.5"	5"	12.75"	166	19
BSX-4	20" or 28.5"	5"	16.75"	222	24

The new BOW SX LED Series continues the unique contemporary design inspired by the sleek styling of the BOW family. Separating the extruded aluminum driver housing and the individual die-cast aluminum linear LED engines: optimize the life of the LEDs and the Driver(s); and maximizes the lumen output of the fixture.

Each of the individual LED light engines come with 16 LEDs; for a max total of 64 LEDs. Nine optical distribution patterns are available.

A durable polyester powder coat finish is guaranteed for five years; and is available in standard or custom colors.

The BOW SX LED series is an exceptional choice for shopping centers, schools, office buildings, and general area lighting.

Model	Optics	Source	Current	Kelvin	Voltage	Mounting	Finish	Options	
BSX-2	Type I (T1)	32 (32LC)	350 (3)	Amber (TS)	120-277 *Universal Voltage (UNV)	Bolt-On Arm 6" (BOA6)	Bronze (BZ)	Button Type Photocell *Specify voltage. (PC120) (PC208) (PC240) (PC277)	
	Type II (T2)							Photocell & Receptacle *Specify voltage (PCR120) (PCR208) (PCR240) (PCR277)	
BSX-3	Type III (T3)	48 (48LC)	530 (5)		480 (5)	Wall Mount (WM)	Black (BK)	Photo Receptacle (PER) *With shorting cap	
	Type IV (T4)							Round Pole Plate Adaptor For 4"Ø Pole (RPP4) For 5"Ø Pole (RPP5)	
BSX-4	Type IVA (T4A)	64 (64LC)			347 (8)		Graphite (GP)	Motion Sensor *Works with FSP-211 (WSC-8) 8" Mounting Height (WSC-20) 9-20" Mounting Height (WSC-40) 21-40" Mounting Height *For BOA Mounting Option Only This option will require (1) FSIR 100 remote for programming	
	Type V (T5)							Pole Mounted Motion Sensor (SBOR OEX) (SBOR ODP) *w/ photocell	
	Type V-W (T5W)							Universal Pole Mount Adaptor *Specify if pole is round or square (UPMA)	
	Type Flood Narrow (FN)							Decorative Shroud (DS)	
	Type Flood Medium (FM)							Cutoff Louver Shield (CLS)	



NOTE: UNIT IS ADJUSTABLE FROM HORIZONTAL TO 90° UPWARD MAX WITH THE KNUCKLE MOUNT.

For more detailed information on mounting, wiring or installation instructions, please consult factory. If poles are not ordered with fixtures, please specify mounting requirements. This document contains proprietary information of Visionaire Lighting, LLC. Any use of this information requires the written approval of Visionaire Lighting, LLC. In keeping with our TQM policy of continuous improvement, Visionaire reserves the right to change any specifications contained herein without prior notice.

Aria LED Luminaire



The Aria is a one-of-a-kind fixture diverse enough to complement a wide range of area applications. It features a wide selection of optics and customization options to tailor it to fit any project perfectly. From post top to arm mount, its stylish look works great with beach boardwalks, shopping centers and city centers.

Key Features

- Custom shielding available
- Multi-mount options
- Die cast aluminum housing
- 6 optic patterns
- Quick Install



Aria LED

Project Name:

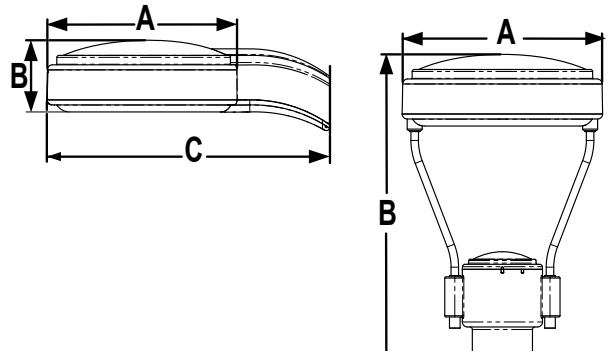
Catalog Number:

Type

ARI-1-L (AM)



Dimensional Drawings



ARI-1-L (PT)



Fixture	A	B	C	Max. LEDs	Lbs
ARI-1 (AM)	20"	7 1/4"	28 1/4"	84	41
ARI-1 (PT)	20"	29 3/4"	6"	84	41.5

Aria Size 2 LED



ARI-2-L (PT)



ARI-2-L (AM)

Model	Optics	Source	Milliamps	Kelvin	Voltage	Mounting	Finish	Options
ARI-1-L Low Profile	Type I (T1) 	# of LEDs 32 (32LC)	350 (3)	Amber (590nm)	120-277 *Universal voltage (UNV)	Arm Mount (AM)	Bronze (BZ)	Photocell & Receptacle *Specify voltage (PCR120) (PCR208) (PCR240) (PCR277)
ARI-2-L Dome Top	Type II (T2) 	48 (48LC)	530 (5)		480 (5)	Post Top *Slips over 3"ØD tenon x 4" tall with special threaded mounting plate.	Black (BK)	Photo Receptacle (PER) *With shorting cap
	Type III (T3) 	64 (64LC)			347 (8)	Requires special tenon adaptor if poles are not Visionaire Lighting poles. (PT)	White (WH)	Button Type Photocell *Specify voltage (PC120) (PC208) (PC240) (PC277)
	Type IV (T4) 	80 (80LC)				Wall Mount (WM)	Forest Green (FG)	Painted Bars (PB) *For Post Top. Painted same color as housing. Bars come standard with chrome finish.
	Type V (T5) 	96 (96LC)					Grey (GY)	Round Pole Plate Adaptor For 4"Ø Pole (RPP4) For 5"Ø Pole (RPP5)
	Type V-W (T5W) 						Silver Metallic (SL)	Cutoff Louver System (CLS)
							Verdigris (VG)	Aria Wall Plate (AWP)
							Weathered Brown (WB)	Aria Conduit Box (ACB)
							Custom Color (CC)	0-10 V Dimming Driver (DIM) *No controls
						Round Pole Plate Adaptors (RPP) are to be ordered separately.		

LED - Light Emitting Diode

For more detailed information on mounting, wiring or installation instructions, please consult factory. If poles are not ordered with fixtures, please specify mounting requirements. This document contains proprietary information of Visionaire Lighting LLC. Any use of this information requires the written approval of Visionaire Lighting, LLC. In keeping with our TQM policy of continuous improvement, Visionaire reserves the right to change any specifications contained herein without prior notice.

Malibu LED Luminaire



The Malibu wall sconce is a low profile, designer luminaire that provides excellent, uniform illumination with full-cutoff optics, making it ideal for turtle safe lighting. The trapezoidal Malibu is a one-piece, die cast aluminum constructed with decorative reveals and comes with your choice of three different optics and LEDs.

Key Features

- Custom shielding available
- Die cast aluminum housing
- 3 optic patterns
- 24 or 48 LED package
- Full cutoff optics
- Vandal resistant hardware option



Malibu LED

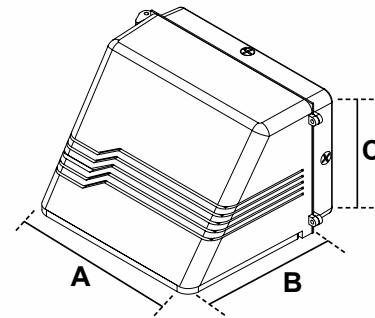
Project Name:

Catalog Number:

Type



Dimensional Drawings



Fixture	A	B	C	Max. LEDs	Lbs
MLB-2	17"	14"	9"	48	29

The **Malibu** wall sconce is a low-profile, designer luminaire that provides excellent, uniform illumination with full-cutoff optics.



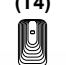
Lens: Each LED is covered with an injection-molded acrylic lens that provides a unique Type III distribution pattern.

Housing: The trapezoidal **Malibu** is of one-piece, precision die cast aluminum, constructed in a pleasing architectural design with decorative reveals. It features a one-piece, die cast aluminum, hinged door frame.

Finish: Durable Quali-Guard® textured thermoset polyester powder coat, oven-baked at a temperature of 400 °F to promote maximum adherence and finish hardness. Finish is guaranteed for five (5) years.

Optics: The **Malibu** is available in three distribution patterns and utilizes high lumen output LEDs.

Driver: A high-performance electronic LED driver operates at 120 thru 277 volts, 50 to 60 Hz, with a 90% power factor; and is rated for -40 °C operation. 10 kV surge protector supplied as standard.

Model	Optics	Source	Milliamps	Kelvin	Voltage	Mounting	Finish	Options
MLB-2	Type II (T2) 	# of LEDs 24 (24L)	mA 350 (3)	Amber (590nm)	120-277 *Universal voltage (UNV)	Wall Mount *Down light only (WM)	Bronze (BZ)	<u>Button Type Photocell</u> *Specify voltage (PC120) (PC208) (PC240) (PC277) Vandal-Resistant Hardware *Tamper-proof latch screw. (VRH)
	Type III (T3) 	48 (48L)	530 (5)				White (WH)	
	Type IV (T4) 						Silver Metallic (SL)	
		LED - Light Emitting Diode						

For more detailed information on mounting, wiring or installation instructions, please consult factory. If poles are not ordered with fixtures, please specify mounting requirements. This document contains proprietary information of Visionaire Lighting, LLC. Any use of this information requires the written approval of Visionaire Lighting, LLC. In keeping with our TQM policy of continuous improvement, Visionaire reserves the right to change any specifications contained herein without prior notice.

The Malibu wall sconce is a low profile, designer luminaire that provides excellent, uniform illumination with full-cutoff optics, making it ideal for turtle safe lighting. The trapezoidal Malibu is a one-piece, die cast aluminum constructed with decorative reveals and comes with your choice of three different optics and LEDs.

Key Features

- Custom shielding available
- Die cast aluminum housing
- 3 optic patterns
- 24 or 48 LED package
- Full cutoff optics
- Vandal resistant hardware option



OceanWalk - Round LED

Project Name:

Catalog Number:

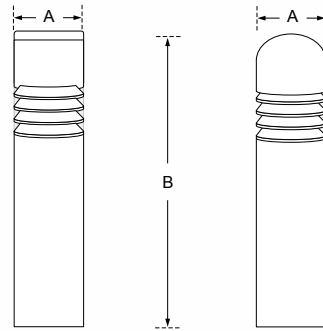
Type



*OWK-2 w/ COG



Dimensional Drawings



*Shown with Paracline Reflector *Shown with 45° Cutoff Grill

Fixture	A	B	Max. LEDs	Lbs
OWK-1	8"	36" or 42"	20	38
OWK-2	8"	36" or 42"	20	38

The **OceanWalk - Round LED** series of architectural bollards combines contemporary styling with durable, vandal-resistant construction and smooth, low-level, 360-degree symmetrical illumination with available cutoff optics; and is an excellent choice for walkways, entrances, promenades, plazas, courtyards, driveways and landscaped areas.

Lens: Clear, high-impact-resistant acrylic, with silicone gasketing for a weather-tight seal. An internal light shield is available.

Housing: 8" diameter extruded aluminum housing. Heavy-duty cast aluminum base plate concealed within shaft is designed for standard anchor bolt mounting to a concrete base. 3/8" x 12" galvanized Anchor bolts. Optional Vandal-Resistant Base available for 8" model.

Finish: Durable Quali-Guard® textured thermoset polyester powder coat. Available in a selection of architectural or custom colors. Finish is guaranteed for two (2) years.

Optics: Choice of specular aluminum paracline reflector, Aluminum stack louver, or 45° cutoff grill provides Type V symmetrical light distribution.

Lamp: High lumen output LEDs are utilized, offering a minimum estimated life of 60,000 hours.

Driver: A high-performance LED driver operates at 120 thru 480 volts, 50 to 60 Hz, with a 90% power factor; and is rated for -40 °C operation. 10 kV surge protector supplied as standard.

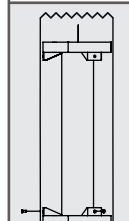
Model	Size	Optics	Source	Milliamps	Kelvin	Voltage	Mounting	Finish	Options
OWK-1 Round Flat Top	8" Round *Specify height 36" (8R36)	Paracline Reflector (PR) 	# of LEDs 20 (20LC)	350 (3)	Amber LED (Amber)	120-277 *Universal voltage (UNV)	Anchor Base (AB)	Bronze (BZ)	Internal Light Shield (ILS) *For COG only
				530 (5)	3000K *Warm white (5K)				
				700 (7)	4000K *Neutral white (4K)				
OWK-2 Round Dome Top	42" (8R42)	Stack Louver Reflector (SLR) 45° Cutoff Grill (COG) 			5000K *Cool white (5K)			Black (BK)	Vandal-Resistant Base (VRB)
								White (WH)	
								Forest Green (FG)	
								Grey (GY)	
								Silver Metallic (SL)	
								Custom Color (CC)	

LED Data Chart Updated 11.21.16

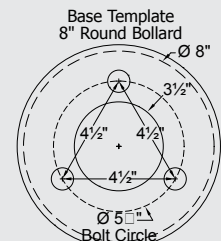
# LEDs	Output mA	PR-T5	SLR-T5	COG-T5	Watts
20 4K	350	1493	1051	395	23
	530	2106	1483	558	34
	700	2666	1877	706	46
20 5K	350	1572	1106	416	23
	530	2217	1561	587	34
	700	2806	1976	743	46

Visit www.VisionaireLighting.com for up-to-the-minute chart information, including types not listed here.

*For 3000K multiply values by 0.90



*Optional internal, cast-extruded Vandal-Resistant Base



For more detailed information on mounting, wiring or installation instructions, please consult factory. If poles are not ordered with fixtures, please specify mounting requirements. This document contains proprietary information of Visionaire Lighting, LLC. Any use of this information requires the written approval of Visionaire Lighting, LLC. In keeping with our TQM policy of continuous improvement, Visionaire reserves the right to change any specifications contained herein without prior notice.

The Malibu wall sconce is a low profile, designer luminaire that provides excellent, uniform illumination with full-cutoff optics, making it ideal for turtle safe lighting. The trapezoidal Malibu is a one-piece, die cast aluminum constructed with decorative reveals and comes with your choice of three different optics and LEDs.

Key Features

- Custom shielding available
- Die cast aluminum housing
- 3 optic patterns
- 24 or 48 LED package
- Full cutoff optics
- Vandal resistant hardware option

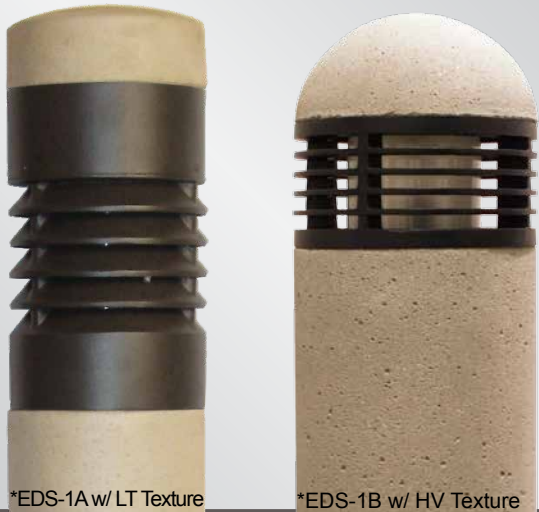


Endurascape LED

Project Name:

Catalog Number:

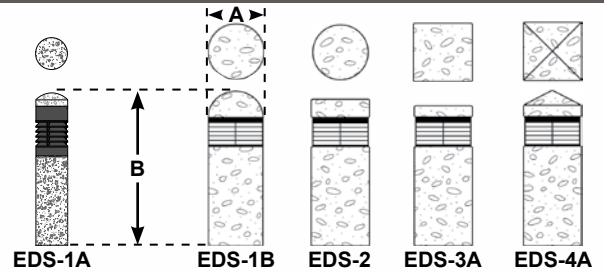
Type



*EDS-1A w/ LT Texture

*EDS-1B w/ HV Texture

Dimensional Drawings



Fixture	A	B	Max. LEDs	Lbs
EDS-1A	8" O.D.	43½"	20	275
EDS-1B	11" O.D.	42"	20	325
EDS-2	11" O.D.	40¾"	20	320
EDS-3A	11" Sq.	41"	20	275
EDS-4A	11" Sq.	43"	20	325

The **Endurascape** series of concrete bollards are designed to enhance and blend with architectural and natural landscapes. Beautifully crafted with textured finishes in a variety of shapes and cast grill louver designs. Optics provide smooth, 360-degree symmetrical low level illumination. Durably built for weather and vandal resistance. Ideal for walkways, entrances, promenades, plazas, courtyards, driveways, bridges and landscaped areas.

Lens: Clear, high-impact-resistant acrylic, with silicone gasketing for a weather-tight seal. An optional internal light shield is available.

Housing: Steel-reinforced pre-cast hollow core concrete in round or square shapes, four top styles and three textured finishes. Rugged cast aluminum grill louvers with 45° cutoff or horizontal cutoff.

Optics: Uniform Type V symmetrical light distribution. Optional internal light shield for Type III distribution.

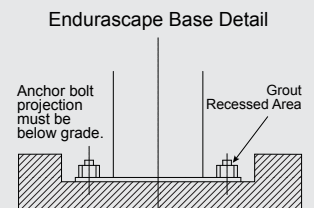
Louver Finish: Durable Quali-Guard® textured thermoset polyester powder coat, oven-baked at a temperature of 400 °F to promote maximum adherence and finish hardness. Available in a selection of architectural or custom colors. Finish is guaranteed for five (5) years.

Lamp: High lumen output LEDs are utilized, offering a minimum estimated life of 60,000 hours.

Driver: A high-performance LED driver operates at 120 thru 480 volts, 50 to 60 Hz, with a 90% power factor; and is rated for -40 °C operation. 10 kV surge protector supplied as standard.

Model	Optics	Source	Milliamps	Kelvin	Voltage	Mounting	Finish	Options	
EDS-1A 8" Round	45° Cutoff Grill *8 only* (COG)	# of LEDs 20 (20LC)	350 (3)	4000K *Neutral white (4K)	120-277 *Universal voltage (UNV)	Anchor Base *Consult factory for mounting information (AB)	Louver Color Bronze (BZ)	Internal Light Shield (ILS)	
EDS-1B 11" Round	45° Cutoff Grill *11 only* (COG)	20 (20LC)	530 (5)	5000K *Cool white (5K)	Black (BK)				
EDS-2 11" Round Flat top			700 (7)	White (WH)					
EDS-3A 11" Square	Horizontal Grill *11" only (HZG)	20 (20LC)	350 (3)	4000K *Neutral white (4K)	120-277 *Universal voltage (UNV)		Forest Green (FG)		Concrete Texture Light (LT)
EDS-4A 11" Square Pyramid top	Horizontal Grill *11" only (HZG)						Grey (GY)		
							Silver Metallic (SL)	Heavy (HV)	

LED - Light Emitting Diode





VISIONAIRE LIGHTING
Performance In A Whole New Light

19645 Rancho Way, Rancho Dominguez, CA 90220
310.512.6480 • www.VisionaireLighting.com