

PGRS-1 LED Specifications



Project Name:

Catalog Number:

Type:

The **PGRS-1 LED** luminaire from Visionaire combines contemporary design with new LED technology; while maintaining a traditional fixture image. The LED performance and Life are maximized by the unique integral aluminum heat sink.

The LED housing is spun aluminum with internal heat sink for maximum heat dissipation; with 16 LEDs. The formed aluminum driver compartment allows the driver to operate cooler for long life.

Three optical distribution patterns are available.590 nm diode supplied as standard.

A durable polyester powder coat finish is guaranteed for five years; and is available in standard or custom colors.

The **PGRS-1 LED** series is an exceptional choice for wall mounts at Parking Garages, Recreational Areas, Office Parks, Medical Centers, Hospitality, Large Area Parking, Educational Institutions, perfect for any upscale Traditional Area lighting application.

Ordering Information

MODEL	OPTICS	SOURCE	CURRENT	KELVIN	VOLTAGE	MOUNTING	FINISH	OPTIONS
PGRS-1	T2 Type 2	16LC	3 350mA	TS 590 nm	UNV 120-277V	WM Wall Mount	BZ Bronze	PC-120 Button Type Photocell
	T3 Type 3		5 530mA		8 347V		BK Black	PC-208 Button Type Photocell
	T4 Type 4				5 480V		SBK Smooth Black	PC-240 Button Type Photocell
							WH White	PC-277 Button Type Photocell
							SWH Smooth White	WSC-8 Motion Sensor 8' Mounting Height
							GP Graphite	WSC-20 Motion Sensor 9-20' Mounting Height
							GY Grey	WSC-40 Motion Sensor 21-40' Mounting Height
							SL Silver Metallic	
							CC Custom Color	
								WSC options will require (1) FSIR 100 remote for programming
								BP Back Plate

Housing

Heavy duty cast aluminum housing with internal heat sink for maximum heat dissipation. Silicone gasket is used for weather tight operation.

Mounting

A Wall Mount bracket can be secured directly to a 4"-5" recessed junction box.

Thermal Management

The PGRS-1 series provides excellent thermal management by mounting the LEDs to the substantial heat sink within the housing. This enables the Luminaire to withstand higher ambient temperatures and driver currents without degrading LED life.

Optical System

- The highest lumen output LEDs are utilized. High-performance acrylic optics feature industry leading Type II, III, and IV optical distributions. Acrylic optics are impact-resistant and rated to 94 percent translucence.
- L70 life of our LEDs is rated over 100,000 hours (for 530 mA), The optical system qualifies as IES full cutoff to restrict light trespass, glare and light pollution for neighborhood-friendly lighting.

Quali-Guard® Finish

The finish is a Quali-Guard® textured, chemically pretreated through a multiple-stage washer, electrostatically applied, thermoset polyester powder coat finish, with a minimum of 3-5 millimeter thickness. Finish is oven-baked at 400° F to promote maximum adherence and finish hardness.

- All finishes are available in standard and custom colors.
- Finish is guaranteed for five (5) years.

Electrical Assembly

The PGRS-1 LED series is supplied with a choice of 350 or 530 high-performance LED drivers that accept 120v thru 480v, 50 Hz to 60 Hz, input.

- Power factor of 90%.
- Rated for -40°C operations.
- 10 kV surge protector supplied as standard.

Warranty

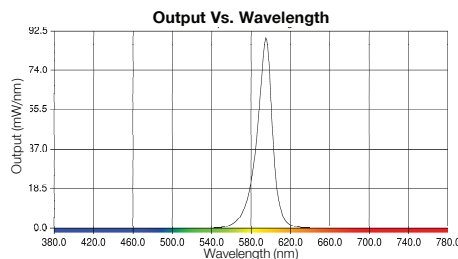
Five (5) year Limited Warranty on electrical components, Five (5) year on finish. For full warranty information, please visit visionairelighting.com.

Options

- Watt Stopper FSP-211
- Button Style Photocell
- Back Plate

Listings

- PGRS-1 is UL listed, suitable for wet locations.
- IP66 Rated
- Powder Coated Tough™
- IDA Listed

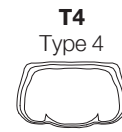
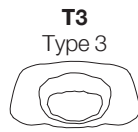
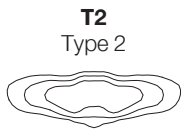


PGRS-1 Electrical Load (A)									
Ordering Nomenclature	System Watts	120V	208V	240V	277V	347V	480V		
PGRS-1-T3-16LC-350MA	18	0.14	0.08	0.07	0.06	0.05	0.04		
PGRS-1-T3-16LC-530MA	26	0.22	0.12	0.11	0.09	0.07	0.05		
Motion Sensor Default Setting									
FSP - 211	High Mode	Low Mode	Time Delay	Cut Off Delay	Sensitivity	Hold Off Setpoint	Photocell On/Off	Ramp Up Time	Fade Down Time
WSC - Default	10V	1V	5 Minutes	1 Hour	Max	Disabled	Disabled	Disabled	Disabled
WSC Range	0-10V	0-9.8V	5-30 Minutes	1-5 Hours	Low, Med, Max	1-250FC	1-250FC	1-60 Dec	1-60 Dec

*Settings can be field modified with the FSIR-100 Programming remote

PGRS-1 LED Specifications

Photometric Optical Summary



Dimensions

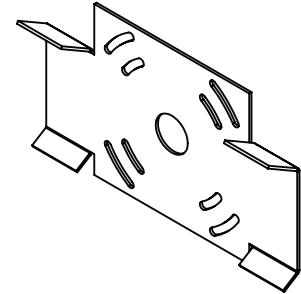
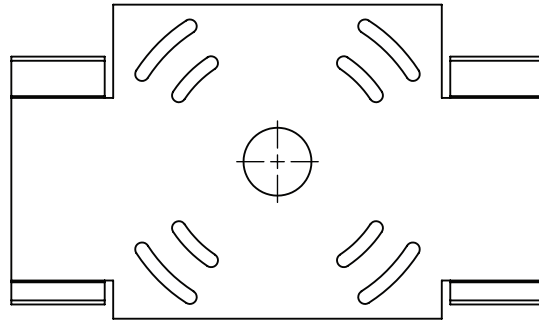
Width: PGRS-1 13.70"

Height: PGRS-1 5.53"

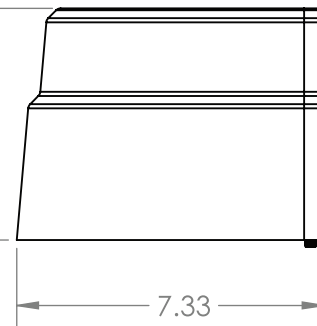
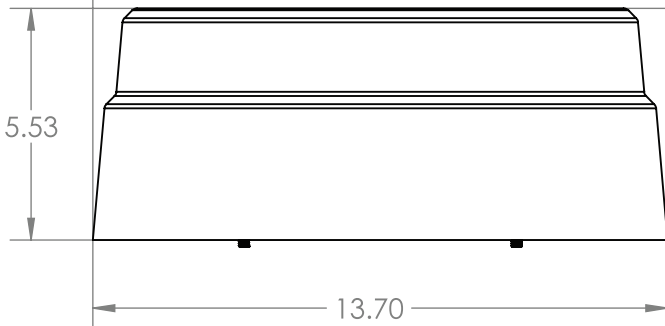
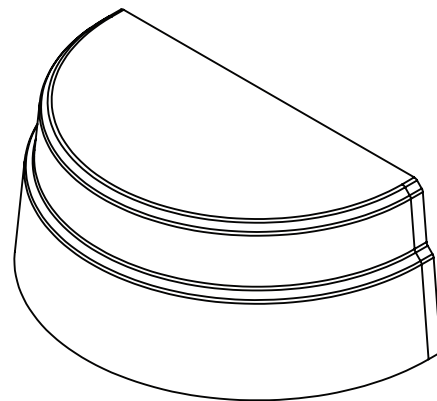
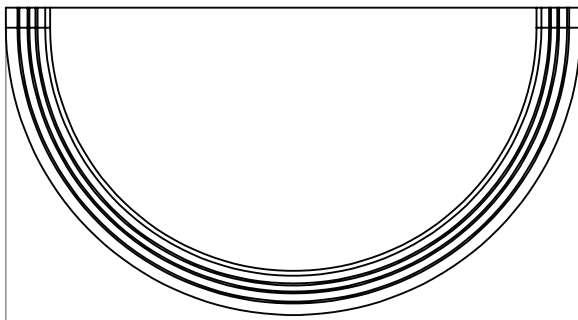
Depth: PGRS-1 7.33"

Weight: 20 LBS

Bracket Wall Mount Support
Compatible with 4" and 5" J-Box



ISOMETRIC VIEW



PGRS-1-TS LUMEN DATA					
# LEDs	mA	T2	T3	T4	Power (W)
16	350	1007	1007	1002	17
	530	1103	1104	1098	26

PGRS-1-TS LUMEN PER WATT DATA					
# LEDs	mA	T2	T3	T4	Power (W)
16	350	59	59	59	17
	530	42	42	42	26

PGRS-1-TS BUG DATA											
# LEDs	mA	T2			T3			T4			Power (W)
		B	U	G	B	U	G	B	U	G	
16	350	0	0	1	0	0	1	0	0	1	17
	530	0	0	1	0	0	1	0	0	1	26