

ARIA-1 ARRAY LED Specifications

**ARI-1-L
(AM)**



Project Name:

Catalog Number:

Type:

Contemporary design meets the new generation of LED green technology in this stunning luminaire, the **Aria Array**. The Aria Array series provides over fifty percent energy savings over traditional HID light sources; and offers excellent beam control and LED life beyond 100,000 hours. Aria Array is offered in ten optical distributions.

The Aria Array LEDs fully-sealed housing features an exceptionally well-designed thermal management system that provides superior heat dissipation.

The popular **Aria Array** is the perfect complement to any university campus, business park, or walkway project where contemporary, architectural design is desired.

Ordering Information

MODEL	OPTICS	LUMENS	KELVIN	VOLTAGE	MOUNTING	FINISH	OPTIONS	OPTIONS
ARI-1-L	T1 Type 1	6L	3K 3000K	UNV 120-277V	AM Arm Mount	GY Grey	PCR-120	RPP3
	T2 Type 2	10L	4K 4000K	8 347V	PT Post Top Slips over 3"ØD tenon x 4" tall	SL Silver Metallic	PCR-208	RPP4
	T3 Type 3	13L	5K 5000K	5 480V		BK Black	PCR-240	RPP5 For 3", 4", or 5"Ø Pole Round Pole Plate Adaptor
	T3L Type 3 Long	15L				WM Wall Mount	PCR-277	PCR-347
	T4 Type 4	18L				SBK Smooth Black	PCR-480 Photocell & Receptacle	ROT-R Rotated Optics Right Side
	T4A Type 4 Automotive	20L			VA Wall Mount Arm Required	WH White	PER	ROT-L Rotated Optics Left Side
	T4L Type 4 Long	25L				SWH Smooth White	5PINPER	CLS Cutoff Louver Shield
	T5SR Type 5 Short Round					BZ Bronze	7PINPER 3, 5, OR 7 Pin Photo Receptacle w/shorting cap Requires Dimming Driver	AWP Aria Wall Plate
	T5LR Type 5 Long Round					GP Graphite	WSC-8 Motion Sensor 8' Mounting Height	ACB Aria Conduit Box
	T5LS Type Long Square					CC Custom Color	WSC-20 Motion Sensor 9-20' Mounting Height	DIM 0-10v Dimming Driver
							WSC-40 Motion Sensor 21-40' Mounting Height *WSC option will require (1) FSIR 100 remote for programming	VWC Visionaire Wireless Controls *Consult Factory

Features & Specifications

ARIA-1 ARRAY

Housing

- Die cast aluminum fixture housing is 20" diameter with integral tool-less push latch sealing mechanism.
- Door Frame and Lens
- Die cast aluminum door frame incorporates two one-piece silicone channel gaskets to seal the housing and arm completely. Opening the hinged door frame allows for direct access to the driver. The door frame includes an aircraft cable support to hold it securely while servicing the fixture.

Thermal Management

- The Aria Array provides excellent overall thermal management by maximizing the efficiency of the heat sink in the fixture (see Interior View). This enables the Aria Array to withstand higher ambient temperatures and higher drive currents without degrading LED life.
- The L70 test determines the point in an LED Arrays life when it reaches 70 percent of its initial output. Aria Array series LEDs have been determined to last a minimum of 100,000 hours in 40° C environments when driven at 700 mA. See LED Data Chart below for actual test results.

Optical System

- The highest lumen output LEDs are utilized in the Aria series. IES Types I, II, III, IV, and V distributions are standard. The optical system qualifies as IES full cutoff to restrict light trespass, glare and light pollution.
- CRI values are 70.

New LED Array Technology

- 4 Diodes now replace a single LED chip and operate at 25% of the drive current allowing for higher efficiency, less heat and longer life. (10 Year Warranty)
- More LEDs at a lower drive current provides a more comfortable visual effect.

Quali-Guard® Finish

A Quali-Guard® thermoset polyester powder coat painted finish is available in 8 standard and custom colors.

Mounting

- Post Top Mount: The cast aluminum post top mount fitter houses the driver assembly. The contractor-friendly mounting hardware is concealed inside the post top fitter; which slips over a 3" O.D. x 4" tall tenon.
- Arm Mount: The fixture mounts directly to the pole by means of three stainless steel mounting bolts attaching to an in-pole nut plate, to ensure level installation.
- A Round Pole Plate Adaptor (RPP-4/5) is required for mounting to 4" or 5" round poles.
- Cast wall mount plate predrilled for easy mounting

Electrical Assembly

- The Aria Array is supplied with a choice of 350, 530 and 700mA high-performance LED drivers that accept 120 V thru 480 V, 50 Hz to 60 Hz input.
- Power factor of 90%.
- Rated for -40 °C operations.
- 10 kV surge protector supplied as standard.

Warranty

Ten (10) year Limited Warranty on electrical components, Five (5) year on finish. For full warranty information. Please visit www.visionairelighting.com

Options

- Photocell & receptacle
 - Photo receptacle
 - Round pole plate adaptor
 - Button type photocell
 - Cut-Off Louver Shield
 - Aria wall plate
 - Aria conduit box
 - 0-10 V dimming driver
- Please consult factory for custom options.

Listings

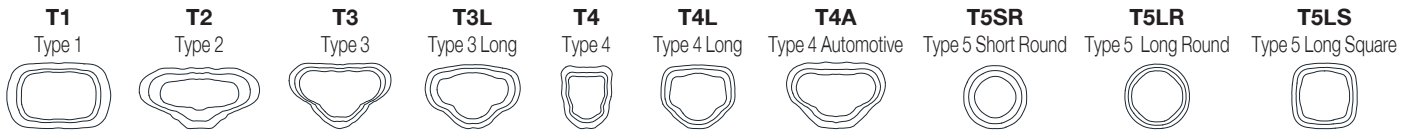
- Aria Array is cUL listed, suitable for wet locations.
- LM79.
- LM80.
- IP-65
- RoHS compliant.
- Powder Coated Tough™.



3000K must be selected for IDA certification.

ARIA-1 ARRAY LED Specifications

Photometric Optical Summary



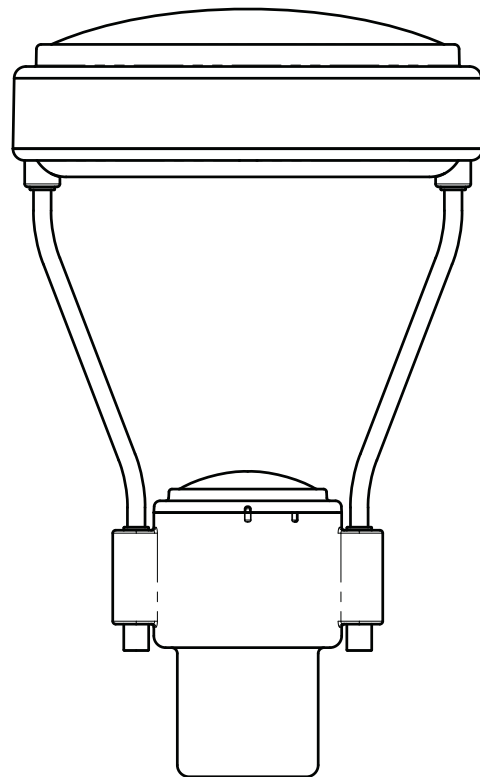
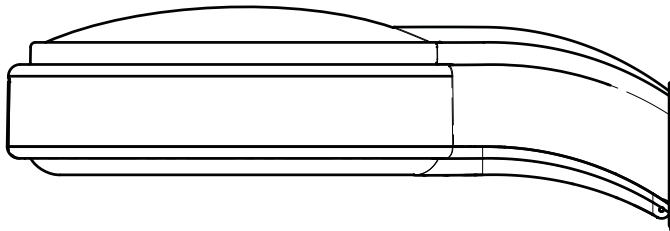
EPA Data	Fixture with Arm						
	ARI-1-L (AM)	1.2	2.2	2.5	2.7	2.6	2.7
	ARI-1-L (PT)	1.8	3.6	3.6	5.3	5.3	5.3

Dimensions AM

Width:	ARI-1 20"
Height:	ARI-1 7.25"
Depth:	ARI-1 28.25"
Weight:	41 LBS

Dimensions PT

Width:	ARI-1 20"
Height:	ARI-1 29.75"
Weight:	41.5 LBS



LED Specifications **ARIA-1 Array**

3K LUMEN DATA											
LUMENS	Current	LEDs	T1	T2	T3	T4	T4A	T5SR	T5LR	T5LS	Watts
6L	350	48AR	6252	6268	6188	6145	6253	6386	6164	6304	50
10L	530		9299	9322	9203	9139	9300	9498	9168	9375	75
13L	700		12532	12563	12403	12317	12533	12801	12355	12635	101
15L	600	64AR	13542	13575	13402	13309	13543	13832	13350	13653	112
18L	700		15889	15927	15725	15616	15890	16229	15664	16019	134
20L	700	80AR	19912	19960	19707	19570	19914	20339	19631	20075	163
25L	700	96AR	24459	24518	24207	24039	24461	24983	24113	24659	196
4K LUMEN DATA											
6L	350	48AR	6921	6938	6850	6803	6922	7070	6824	6978	50
10L	530		10294	10319	10188	10117	10295	10515	10149	10379	75
13L	700		13873	13907	13731	13635	13875	14171	13677	13987	101
15L	600	64AR	14991	15027	14837	14733	14992	15312	14779	15114	112
18L	700		17589	17632	17408	17287	17591	17966	17341	17734	134
20L	700	80AR	22043	22096	21816	21664	22045	22515	21731	22224	163
25L	700	96AR	27076	27142	26798	26611	27079	27656	26693	27298	196
5K LUMEN DATA											
6L	350	48AR	6921	6938	6850	6803	6922	7070	6824	6978	50
10L	530		10294	10319	10188	10117	10295	10515	10149	10379	75
13L	700		13873	13907	13731	13635	13875	14171	13677	13987	101
15L	600	64AR	14991	15027	14837	14733	14992	15312	14779	15114	112
18L	700		17589	17632	17408	17287	17591	17966	17341	17734	134
20L	700	80AR	22043	22096	21816	21664	22045	22515	21731	22224	163
25L	700	96AR	27076	27142	26798	26611	27079	27656	26693	27298	196
3K LPW DATA											
LUMENS	Current	LEDs	T1	T2	T3	T4	T4A	T5SR	T5LR	T5LS	Watts
6L	350	48AR	125	125	124	123	125	128	123	126	50
10L	530		124	125	123	122	124	127	123	126	75
13L	700		124	124	122	122	124	126	122	125	101
15L	600	64AR	121	121	120	119	121	123	119	122	112
18L	700		119	119	117	117	119	121	117	120	134
20L	700	80AR	122	123	121	120	122	125	121	123	163
25L	700	96AR	125	125	124	123	125	128	123	126	196
4K LPW DATA											
6L	350	48AR	138	139	137	136	138	141	136	140	50
10L	530		138	138	136	135	138	141	136	139	75
13L	700		137	137	136	135	137	140	135	138	101
15L	600	64AR	134	134	132	132	134	137	132	135	112
18L	700		131	132	130	129	131	134	129	132	134
20L	700	80AR	134	134	132	131	134	137	132	135	163
25L	700	96AR	138	139	137	136	138	141	136	139	196
5K LPW DATA											
6L	350	48AR	138	139	137	136	138	141	136	140	50
10L	530		138	138	136	135	138	141	136	139	75
13L	700		137	137	136	135	137	140	135	138	101
15L	600	64AR	134	134	132	132	134	137	132	135	112
18L	700		131	132	130	129	131	134	129	132	134
20L	700	80AR	134	134	132	131	134	137	132	135	163
25L	700	96AR	138	139	137	136	138	141	136	139	196