

# PGRS-2 LED Specifications



Project Name:

Catalog Number:

Type:

The **PGRS-2 LED** luminaire from Visionaire combines contemporary design with new LED technology; while maintaining a traditional fixture image. The LED performance and Life are maximized by the unique integral aluminum heat sink. It is an ideal replacement for the high-maintenance fluorescent or HID fixtures of yesterday.

The LED housing is cast aluminum with internal heat sink for maximum heat dissipation; with 16 or 32 LEDs. The cast aluminum driver compartment allows the driver to operate cooler for long life.

Three optical distribution patterns are available. 590 nm diode supplied as standard.

A durable polyester powder coat finish is guaranteed for five years; and is available in standard or custom colors.

The **PGRS-2 LED** series is an exceptional choice for parking garage lighting and other wall mount applications.

## Ordering Information

| MODEL         | OPTICS              | SOURCE      | CURRENT           | KELVIN              | VOLTAGE                | MOUNTING                | FINISH                       | OPTIONS  | OPTIONS  |
|---------------|---------------------|-------------|-------------------|---------------------|------------------------|-------------------------|------------------------------|--|--|
| <b>PGRS-2</b> | <b>T2</b><br>Type 2 | <b>16LC</b> | <b>3</b><br>350mA | <b>TS</b><br>590 nm | <b>UNV</b><br>120-277V | <b>WM</b><br>Wall Mount | <b>BZ</b><br>Bronze          | <b>PC-120</b><br>Button Type<br>Photocell                      | <b>EBPL</b><br>Emergency<br>Battery Pack<br>120V-277V<br>Only          |
|               | <b>T3</b><br>Type 3 | <b>32LC</b> | <b>5</b><br>530mA |                     | <b>8</b><br>347V       |                         | <b>BK</b><br>Black           | <b>PC-208</b><br>Button Type<br>Photocell                      | <b>VWC</b><br>Visionaire<br>Wireless<br>Controls<br>Consult<br>Factory |
|               | <b>T4</b><br>Type 4 |             |                   |                     | <b>5</b><br>480V       |                         | <b>SBK</b><br>Smooth Black   | <b>PC-240</b><br>Button Type<br>Photocell                      | <b>BP</b><br>Back Plate  |
|               |                     |             |                   |                     |                        |                         | <b>WH</b><br>White           | <b>PC-277</b><br>Button Type<br>Photocell                      |  |
|               |                     |             |                   |                     |                        |                         | <b>SWH</b><br>Smooth White   | <b>WSC-8</b><br>Motion Sensor<br>8' Mounting<br>Height         |  |
|               |                     |             |                   |                     |                        |                         | <b>GP</b><br>Graphite        | <b>WSC-20</b><br>Motion Sensor<br>9-20' Mounting<br>Height     |  |
|               |                     |             |                   |                     |                        |                         | <b>GY</b><br>Grey            | <b>WSC-40</b><br>Motion Sensor<br>21-40'<br>Mounting<br>Height |  |
|               |                     |             |                   |                     |                        |                         | <b>SL</b><br>Silver Metallic |  |  |
|               |                     |             |                   |                     |                        |                         | <b>CC</b><br>Custom Color    |  |  |

WSC options will require (1) FSIR 100 remote for programming

## Housing

Heavy duty cast aluminum housing with internal heat sink for maximum heat dissipation. Silicone gasket is used for weather tight operation.

## Mounting

A Wall Mount bracket can be secured directly to a 4"-5" recessed junction box.

## Thermal Management

The PGRS-2 series provides excellent thermal management by mounting the LEDs to the substantial heat sink within the housing. This enables the Luminaire to withstand higher ambient temperatures and driver currents without degrading LED life.

## Optical System

- The highest lumen output LEDs are utilized. High-performance acrylic optics feature industry leading Type II, III and IV optical distributions. Acrylic optics are impact-resistant and rated to 94 percent translucence.
- L70 life of our LEDs is rated over 100,000 hours (for 530 mA), The optical system qualifies as IES full cutoff to restrict light trespass, glare and light pollution for neighborhood-friendly lighting.

## Quali-Guard® Finish

The finish is a Quali-Guard® textured, chemically pretreated through a multiple-stage washer, electrostatically applied, thermoset polyester powder coat finish, with a minimum of 3-5 millimeter thickness. Finish is oven-baked at 400° F to promote maximum adherence and finish hardness.

- All finishes are available in standard and custom colors.
- Finish is guaranteed for five (5) years.

## Electrical Assembly

The PGRS-2 LED series is supplied with a choice of 350 or 530 high-performance LED drivers that accept 120v thru 480v, 50 Hz to 60 Hz, input.

- Power factor of 90%.
- Rated for -40°C operations.
- 10 kV surge protector supplied as standard.

## Warranty

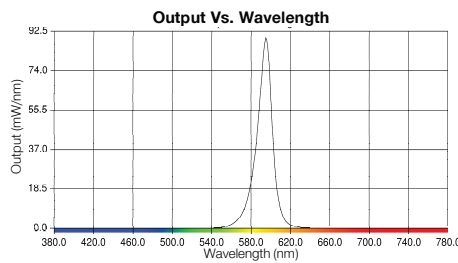
Five (5) year Limited Warranty on electrical components, Five (5) year on finish. For full warranty information, please visit [visionairelighting.com](http://visionairelighting.com).

## Options

- Button Style Photocell
- Watt Stopper FSP-211
- Motion Sensor
- Emergency Battery Pack
- Wireless Control

## Listings

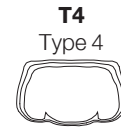
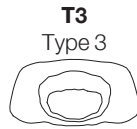
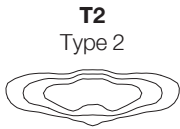
- PGRS-2 is cUL listed, suitable for wet locations.
- IP66 Rated
- Powder Coated Tough™
- Pangealink
- IDA listed



| PGRS-2 - Electrical Load (A)  |              |          |              |               |               |                   |                  |              |                |
|-------------------------------|--------------|----------|--------------|---------------|---------------|-------------------|------------------|--------------|----------------|
| Ordering Nomenclature         | System Watts | 120V     | 208V         | 240V          | 277V          | 347V              | 480V             |              |                |
| PGRS-2-T3-16LC-350MA          | 18           | 0.14     | 0.08         | 0.07          | 0.06          | 0.05              | 0.04             |              |                |
| PGRS-2-T3-16LC-530MA          | 26           | 0.22     | 0.12         | 0.11          | 0.09          | 0.07              | 0.05             |              |                |
| PGRS-2-T3-32LC-350MA          | 34           | 0.28     | 0.16         | 0.14          | 0.12          | 0.10              | 0.07             |              |                |
| PGRS-2-T3-32LC-530MA          | 53           | 0.43     | 0.25         | 0.22          | 0.19          | 0.15              | 0.11             |              |                |
| Motion Sensor Default Setting |              |          |              |               |               |                   |                  |              |                |
| FSP - 211                     | High Mode    | Low Mode | Time Delay   | Cut Off Delay | Sensitivity   | Hold Off Setpoint | Photocell On/Off | Ramp Up Time | Fade Down Time |
| WSC - Default                 | 10V          | 1V       | 5 Minutes    | 1 Hour        | Max           | Disabled          | Disabled         | Disabled     | Disabled       |
| WSC Range                     | 0-10V        | 0-9.8V   | 5-30 Minutes | 1-5 Hours     | Low, Med, Max | 1-250FC           | 1-250FC          | 1-60 Dec     | 1-60 Dec       |

# PGRS-2 LED Specifications

## Photometric Optical Summary



## Dimensions

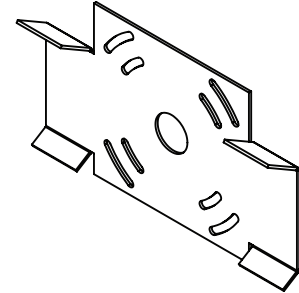
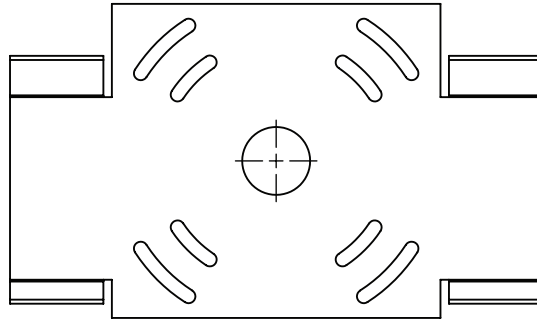
**Width:** PGRS-2 17.70"

**Height:** PGRS-2 5.53"

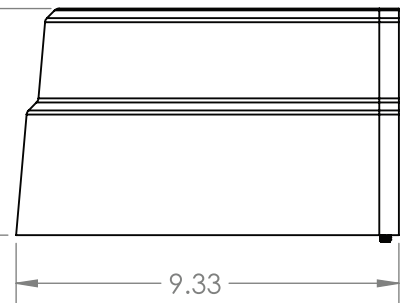
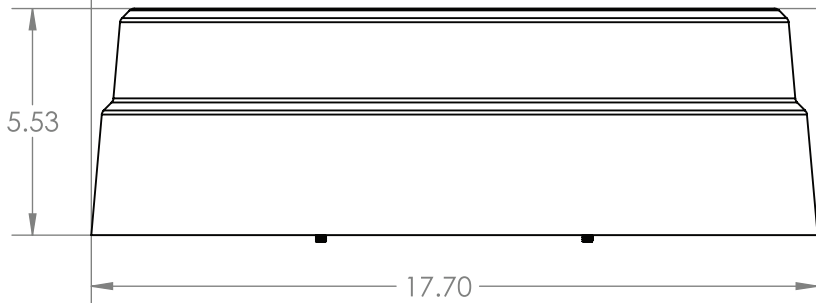
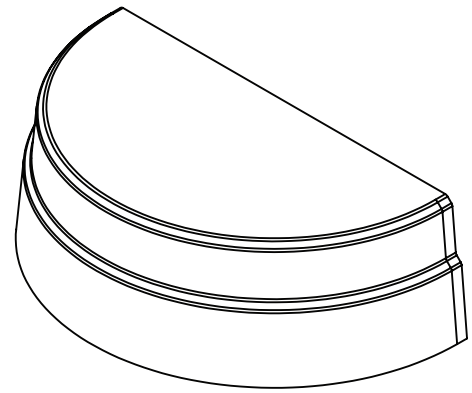
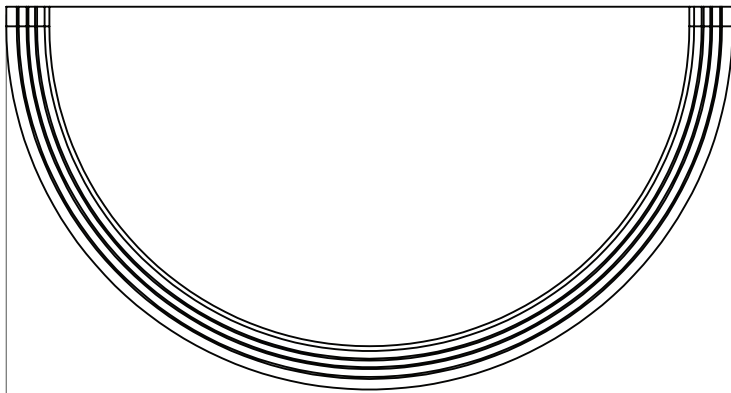
**Depth:** PGRS-2 9.33"

**Weight:** 20 LBS

Bracket Wall Mount Support  
Compatible with 4" and 5" J-Box



ISOMETRIC VIEW



| PGRS-2-TS LUMEN DATA          |     |      |      |      |           |   |   |    |   |   |           |
|-------------------------------|-----|------|------|------|-----------|---|---|----|---|---|-----------|
| # LEDs                        | mA  | T2   | T3   | T4   | Power (W) |   |   |    |   |   |           |
| 16                            | 350 | 1007 | 1007 | 1002 | 17        |   |   |    |   |   |           |
|                               | 530 | 1103 | 1104 | 1098 | 26        |   |   |    |   |   |           |
| 32                            | 350 | 2026 | 2015 | 1926 | 34        |   |   |    |   |   |           |
|                               | 530 | 2244 | 2231 | 2133 | 52        |   |   |    |   |   |           |
| PGRS-2-TS LUMEN PER WATT DATA |     |      |      |      |           |   |   |    |   |   |           |
| # LEDs                        | mA  | T2   | T3   | T4   | Power (W) |   |   |    |   |   |           |
| 16                            | 350 | 59   | 59   | 59   | 17        |   |   |    |   |   |           |
|                               | 530 | 42   | 42   | 42   | 26        |   |   |    |   |   |           |
| 32                            | 350 | 60   | 59   | 57   | 34        |   |   |    |   |   |           |
|                               | 530 | 43   | 43   | 41   | 52        |   |   |    |   |   |           |
| PGRS-2-TS BUG DATA            |     |      |      |      |           |   |   |    |   |   |           |
| # LEDs                        | mA  | T2   |      |      | T3        |   |   | T4 |   |   | Power (W) |
|                               |     | B    | U    | G    | B         | U | G | B  | U | G |           |
| 16                            | 350 | 0    | 0    | 1    | 0         | 0 | 1 | 0  | 0 | 1 | 17        |
|                               | 530 | 0    | 0    | 1    | 0         | 0 | 1 | 0  | 0 | 1 | 26        |
| 32                            | 350 | 1    | 0    | 1    | 1         | 0 | 1 | 1  | 0 | 1 | 34        |
|                               | 530 | 1    | 0    | 1    | 1         | 0 | 1 | 1  | 0 | 1 | 52        |