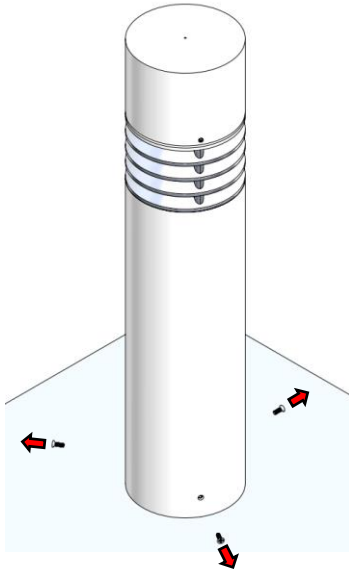


Installation instructions for installing the VRB to the OWK-1-L

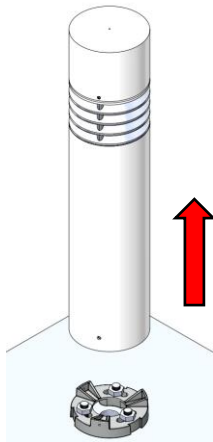
All installation work must be performed by a qualified, certified electrician.

Caution! Disconnect all power before installation.

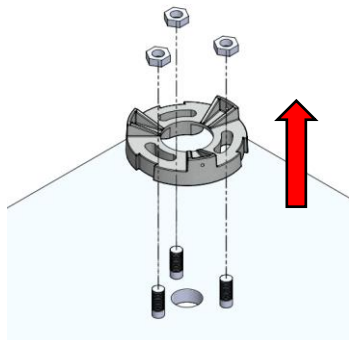
1. Remove the 3 screws shown in the image.



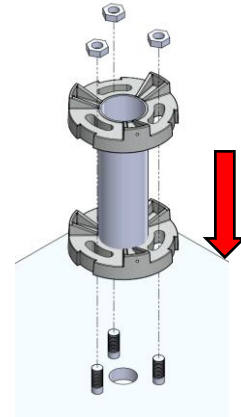
2. Remove the luminaire.



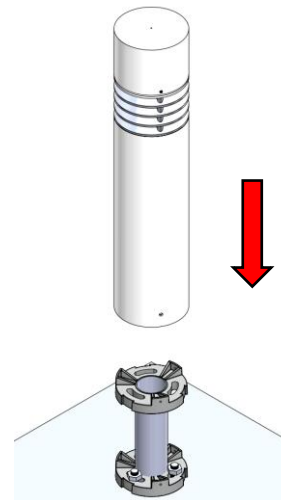
3. Remove the nuts and Base Plate.



4. Install the Vandal-Resistant Base (VRB) with the nuts I removed earlier.



5. Proceed to Install the luminaire.



6. Screw in luminaire with the screws you removed earlier.

