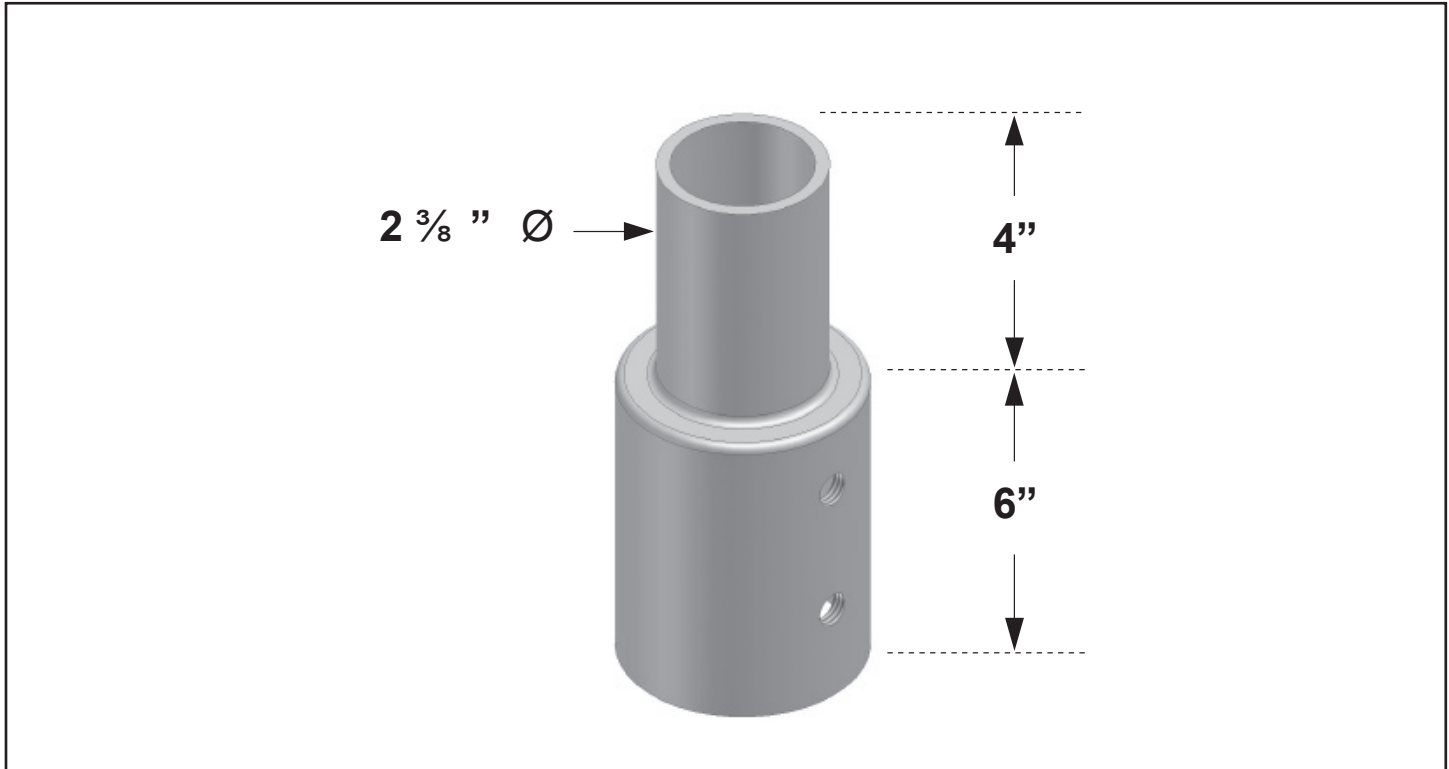


# RETA Specifications

Area - Site - Commercial - Outdoor



All-Round Steel Tenon Adapters are precision-fabricated from heavy-wall round steel tubing and engineered for long-term structural performance. Available with 2 3/8" to 6" diameter tenons, these adapters provide a secure, reliable interface between luminaires and round poles.

### RETA – Round External Tenon Adapter

- Designed to slip-fit over existing 3" to 5" diameter round poles
- Ensures proper fixture alignment and load distribution
- Ideal for retrofit or new-installation applications requiring external tenon mounting
- Durable steel construction supports demanding outdoor environments

Project Name:

Catalog Number:

Type:

Date:

Location:

| MODEL       | TOP TENON SIZE                                                                                                                                                                                    | BOTTOM POLE SIZE                                                                                                                                                                                                | FINISH                                                                                                                                                                                                                                                                                                                                                                       |
|-------------|---------------------------------------------------------------------------------------------------------------------------------------------------------------------------------------------------|-----------------------------------------------------------------------------------------------------------------------------------------------------------------------------------------------------------------|------------------------------------------------------------------------------------------------------------------------------------------------------------------------------------------------------------------------------------------------------------------------------------------------------------------------------------------------------------------------------|
| <b>RETA</b> | <p><b>2 3/8</b><br/>2-3/8" Dia</p> <p><b>3</b><br/>3" Dia</p> <p><b>3 1/2</b><br/>3-1/2" Dia</p> <p><b>4</b><br/>4" Dia</p> <p><b>4 1/2</b><br/>4-1/2" Dia</p> <p><b>4 1/2</b><br/>4-1/2" Dia</p> | <p><b>3</b><br/>3" Dia</p> <p><b>3 1/2</b><br/>3-1/2" Dia</p> <p><b>4</b><br/>4" Dia</p> <p><b>4 1/2</b><br/>4-1/2" Dia</p> <p><b>5</b><br/>5" Dia</p> <p>*TOP TENON<br/>must be smaller<br/>than POLE SIZE</p> | <p><b>BZ</b><br/>Bronze</p> <p><b>BK</b><br/>Black</p> <p><b>GY</b><br/>Grey</p> <p><b>SBK</b><br/>Smooth<br/>Black</p> <p><b>WH</b><br/>White</p> <p><b>SWH</b><br/>Smooth<br/>White</p> <p><b>GP</b><br/>Graphite</p> <p><b>GY</b><br/>Grey</p> <p><b>SL</b><br/>Silver Metallic</p> <p><b>ZRP</b><br/>Zinc-Rich<br/>Primer Coat</p> <p><b>CC</b><br/>Custom<br/>Color</p> |