

# VLX LED Specifications



Project Name:

Catalog Number:

Type:

The new **VLX LED** Series offers clean, functional styling that is defined by its sleek low profile design and rugged construction. It combines LED performance and advanced LED thermal management technology and provides outdoor lighting that is both energy efficient and aesthetically pleasing.

The LED's performance and the driver's life are maximized by enclosing them in two separate die cast aluminum housings. Easy tool-less access for mounting and maintenance.

The LED light assemblies come with 96 to 192 LEDs. Eight optical distribution patterns are available. Choose between 3000, 4000 or 5000 Kelvin temperature of the LEDs.

A durable polyester powder coat finish is guaranteed for five years; and is available in standard or custom colors.

The **VLX LED** series is an exceptional choice for commercial parking lots, office complexes, architectural projects, and other general lighting projects.

## Ordering Information

MODEL	OPTICS	LEDS	CURRENT	KELVIN	VOLTAGE	MOUNTING	FINISH	OPTIONS	OPTIONS
VLX-1	<b>T1</b> Type 1	<b>96LC</b>	<b>3</b> 350mA	<b>3K</b> 3000K	<b>UNV</b> 120-277V	<b>AM</b> Arm Mount	<b>BZ</b> Bronze	<b>PCR-120</b>	<b>RPP</b> Round Pole Plate Adaptor
	<b>T2</b> Type 2	<b>128LC</b>	<b>5</b> 530mA	<b>4K</b> 4000K	<b>8</b> 347V	Round Pole Plate Adaptors (RPP) are to be ordered separately.	<b>BK</b> Black	<b>PCR-208</b>	<b>UPMA-S</b> Universal Square Pole Mount Adaptor
	<b>T3</b> Type 3	<b>160LC</b>	<b>7</b> 700mA	<b>5K</b> 5000K	<b>5</b> 480V		<b>SBK</b> Smooth Black	<b>PCR-240</b>	<b>UPMA-R</b> Universal Round Pole Mount Adaptor
	<b>T4</b> Type 4	<b>192LC</b>				<b>WM</b> Wall Mount *Requires BAWP	<b>WH</b> White	<b>PCR-347</b>	<b>UPMA-R</b> Universal Round Pole Mount Adaptor
	<b>T4A</b> Type 4 Automotive					<b>BAWP</b> to be ordered separately.	<b>SWH</b> Smooth White	<b>PCR-480</b> Photocell & Receptacle	<b>BAWP</b> Cast Wall Plate
	<b>T5</b> Type 5						<b>GP</b> Graphite	<b>PER</b> <b>5PINPER</b> <b>7PINPER</b> 3, 5, or 7 Pin Photo Receptacle w/shorting cap Requires Dimming Driver	<b>ROT-R</b> Rotated Optics Right Side
	<b>T5W</b> Type 5 Wide						<b>GY</b> Grey	<b>DIM</b> 0-10v Dimming Driver	<b>ROT-L</b> Rotated Optics Left Side
	<b>T5WR</b> Type 5 Wide Round						<b>SL</b> Silver Metallic	<b>WSC-8</b> Motion Sensor 8' Mounting Height	<b>CLS</b> Back Side Cutoff Louver Shield
							<b>CC</b> Custom Color	<b>WSC-20</b> Motion Sensor 9-20' Mounting Height	<b>RCLS</b> Right Side Cutoff Louver Shield
							<b>WSC-40</b> Motion Sensor 21-40' Mounting Height	<b>LCLS</b> Left Side Cutoff Louver Shield	
								<b>VWC</b> Visionaire Wireless Controls *Consult Factory	

\*The WSC options  
will require  
(1) FSIR 100  
remote for  
programming

# Features & Specifications

**VLX**

## Heatsink

Die cast aluminum heatsink with integral cooling fins for thermal management.

## Mounting Arm/Driver Compartment

- Durable two-piece die cast aluminum driver compartment utilizes a tool-less push button latch for ease of maintenance and sealed with a one-piece silicone gasket.
- Meets ANSI C136.31-2010 1.5G Vibration Standards.

## Thermal Management

- The VLX series provides excellent thermal management by mounting the LEDs to the substantial heat sink of the housing. This enables the Luminaire to withstand higher ambient temperatures and driver currents without degrading LED life.
- The L70 test determines the point in an LEDs life when it reaches 70 percent of its initial output. The VLX series LEDs have been determined to last 90,000+ hours in 25° C environments when driven at 350 mA.

## Optical System

- The highest lumen output LEDs are utilized in the VLX series. IES distribution Types I, II, III, IV and V are available. The optical system qualifies as IES full cutoff to restrict light trespass, glare and light pollution. The correlated color temperature (CCT) is a specification of the color appearance of the light emitted by a LED, relating its color to the color of light from a reference source when heated to a particular temperature, measured in degrees Kelvin (K).
- CRI values are 70.

## Quali-Guard® Finish

- The finish is a Quali-Guard® textured, chemically pretreated through a multiple-stage washer, electrostatically applied, thermoset polyester powder coat finish, with a minimum of 3-5 millimeter thickness. Finish is oven-baked at 400° F to promote maximum adherence and finish hardness. All finishes are available in standard and custom colors.
- Finish is guaranteed for five (5) years.

## Electrical Assembly

- The VLX LED series is supplied with a choice of 350, 530 or 700 mA high-performance LED drivers that accept 120v thru 480v, 50 Hz to 60 Hz, input. Power factor of 90%. Rated for -40°C operations.
- 10 kV surge protector supplied as standard.
- Terminal block supplied as standard.

## Warranty

Five (5) year Limited Warranty on entire system, including finish. For full warranty information, please visit [visionairelighting.com](http://visionairelighting.com).

## Options

- Photocell & receptacle
- Photo receptacle
- Round pole plate adapter
- Cast Wall Plate
- 0-10v Dimming Driver
- Motion Sensor
- Visionaire Wireless Control
  - Enables high end trim
  - Based on Zigbee wireless communication protocol
- Universal Pole Mount Adaptor
- Cutoff Louver Shield

## Listings

- The VLX is ETL listed
- IP65 Rated
- Powder Coated Tough.
- DLC Listed
- IDA Certification

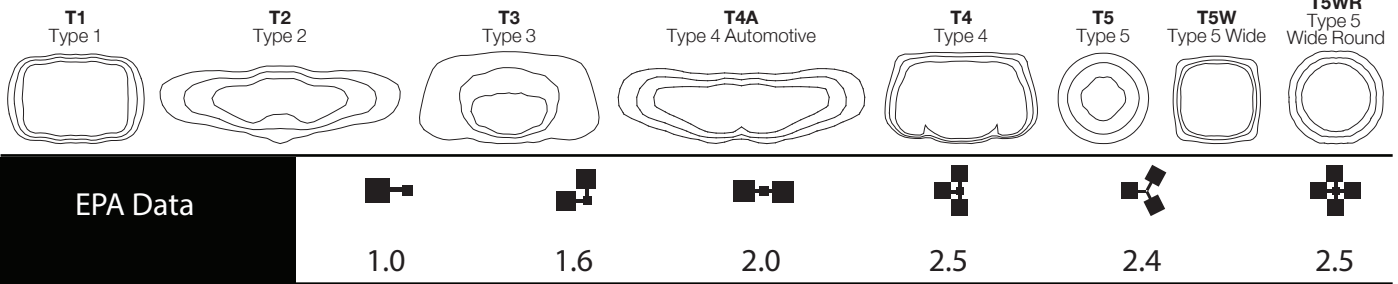


DesignLights Consortium (DLC) qualified Product. Some configurations of this product family may not be DesignLights Consortium (DLC) listed, please refer to the DLC qualified products list to confirm listed configurations. <http://www.designlights.org/>  
3000K must be selected for IDA certification. Fixed mount must be selected for IDA dark sky certification.

VLX - ELECTRICAL LOAD (A)							
Ordering Nomenclature	System Watts	120	208	240	277	347	480
VLX-1-T5-96LC-3	103	0.86	0.50	0.43	0.37	0.30	0.21
VLX-1-T5-96LC-5	159	1.33	0.76	0.66	0.57	0.46	0.33
VLX-1-T5-96LC-7	215	1.79	1.03	0.90	0.78	0.62	0.45
VLX-1-T5-128LC-3	136	1.13	0.65	0.57	0.49	0.39	0.28
VLX-1-T5-128LC-5	215	1.79	1.03	0.90	0.78	0.62	0.45
VLX-1-T5-128LC-7	285	2.38	1.37	1.19	1.03	0.82	0.59
VLX-1-T5-160LC-3	171	1.43	0.82	0.71	0.62	0.49	0.36
VLX-1-T5-160LC-5	266	2.22	1.28	1.11	0.96	0.77	0.55
VLX-1-T5-160LC-7	353	2.94	1.70	1.47	1.27	1.02	0.74
VLX-1-T5-192LC-3	206	1.72	0.99	0.86	0.74	0.59	0.43
VLX-1-T5-192LC-5	317	2.64	1.52	1.32	1.14	0.91	0.66
VLX-1-T5-192LC-7	421	3.51	2.02	1.75	1.52	1.21	0.88

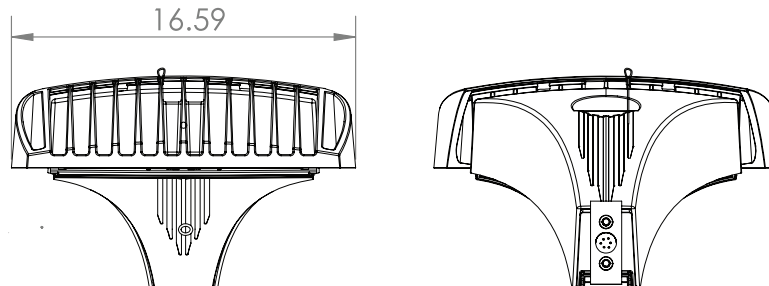
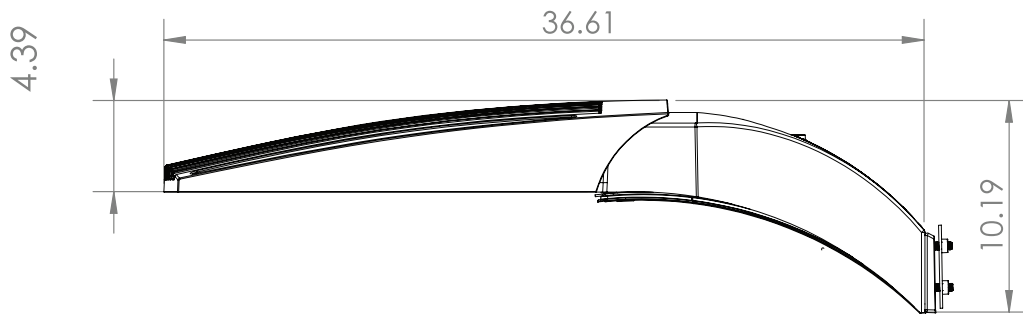
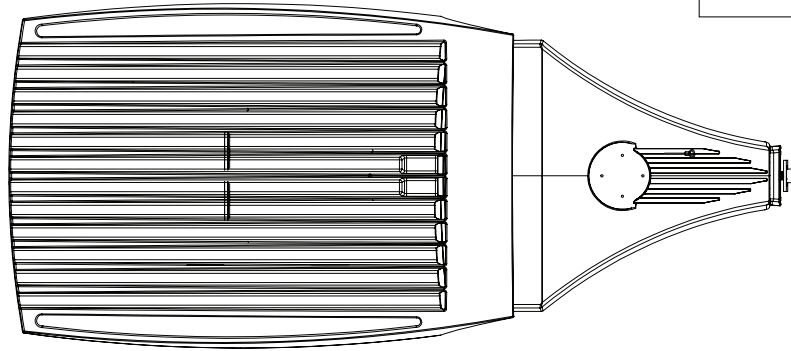
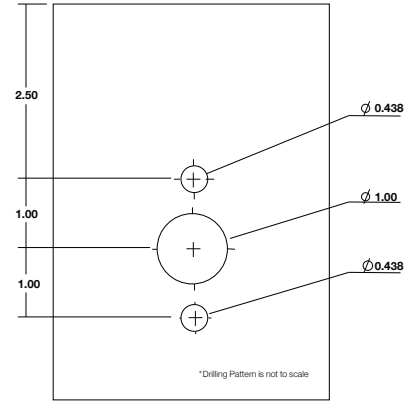
# VLX LED Specifications

## Photometric Optical Summary



## Dimensions

<b>Width:</b>	VLX-1 16.5"
<b>Depth:</b>	VLX-1 36.6"
<b>Height:</b>	VLX-1 4.39"
<b>Overall Height:</b>	VLX-1 10.19"
<b>Weight:</b>	58 LBS



VLX 3K Lumen Data										
#LED's	mA	Type 1	Type 2	Type 3	Type 4	Type 4A	Type 5	Type 5W	Type 5WR	Watts
96	350	13956	13031	13240	12480	13992	13569	13571	13578	103
	530	19790	18478	18774	17697	19841	19241	19243	19254	159
	700	24943	23290	23663	22305	25007	24252	24254	24268	215
128	350	18429	17207	17483	16480	18476	17918	17920	17930	136
	530	27514	25690	26102	24604	27585	26751	26754	26769	215
	700	34311	32037	32549	30682	34399	33360	33363	33382	285
160	350	23171	21635	21981	20720	23230	22528	22531	22543	171
	530	33547	31323	31824	29999	33633	32617	32620	32639	266
	700	42099	39308	39937	37646	42207	40932	40936	40959	353
192	350	27912	26062	26479	24960	27984	27138	27141	27157	206
	530	39580	36956	37547	35393	39681	38482	38486	38508	317
	700	49887	46580	47325	44610	50015	48503	48509	48536	421
VLX 4K Lumen Data										
#LED's	mA	Type 1	Type 2	Type 3	Type 4	Type 4A	Type 5	Type 5W	Type 5WR	Watts
96	350	14691	13717	13936	13137	14728	14283	14285	14115	103
	530	20831	19451	19762	18628	20885	20254	20256	20014	159
	700	26256	24516	24908	23479	26324	25528	25531	25227	215
128	350	19399	18113	18403	17347	19449	18861	18863	18638	136
	530	28962	27043	27475	25899	29037	28159	28162	27827	215
	700	36117	33723	34263	32297	36210	35116	35119	34701	285
160	350	24390	22773	23138	21810	24453	23714	23716	23434	171
	530	35313	32972	33499	31577	35403	34333	34337	33928	266
	700	44315	41377	42039	39627	44428	43086	43091	42577	353
192	350	29381	27434	27873	26274	29457	28567	28570	28229	206
	530	41663	38901	39524	37256	41770	40508	40512	40029	317
	700	52512	49031	49816	46958	52647	51056	51062	50453	421
VLX 5K Lumen Data										
#LED's	mA	Type 1	Type 2	Type 3	Type 4	Type 4A	Type 5	Type 5W	Type 5WR	Watts
96	350	14097	13163	13373	12606	14133	13706	13708	13443	103
	530	19990	18665	18963	17875	20041	19435	19438	19061	159
	700	25195	23525	23902	22530	25260	24497	24499	24025	215
128	350	18615	17381	17659	16646	18663	18099	18101	17751	136
	530	27792	25950	26365	24853	27863	27022	27025	26502	215
	700	34658	32360	32878	30992	34747	33697	33700	33048	285
160	350	23405	21853	22203	20929	23465	22756	22758	22318	171
	530	33886	31640	32146	30302	33973	32946	32950	32312	266
	700	42524	39705	40341	38026	42633	41345	41350	40549	353
192	350	28194	26325	26747	25212	28267	27413	27416	26885	206
	530	39980	37329	37927	35751	40082	38871	38875	38123	317
	700	50391	47050	47803	45061	50520	48993	48999	48051	421

# VLX LED Specifications

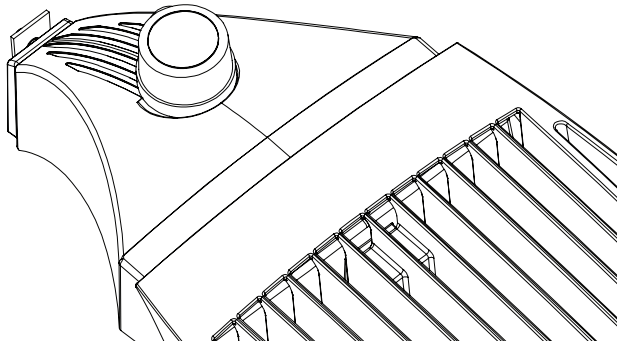
VLX 3K LPW Data									
#LED's	mA	Type 1	Type 2	Type 3	Type 4	Type 4A	Type 5	Type 5W	Type 5WR
96	350	135	126	128	121	136	131	132	132
	530	124	116	118	111	125	121	121	121
	700	116	108	110	104	116	113	113	113
128	350	136	127	129	121	136	132	132	132
	530	128	119	121	114	128	124	124	124
	700	121	113	114	108	121	117	117	117
160	350	136	127	129	121	136	132	132	132
	530	126	118	120	113	126	123	123	123
	700	119	111	113	107	120	116	116	116
192	350	136	127	129	121	136	132	132	132
	530	125	116	118	112	125	121	121	121
	700	118	111	112	106	119	115	115	115
VLX 4K LPW Data									
#LED's	mA	Type 1	Type 2	Type 3	Type 4	Type 4A	Type 5	Type 5W	Type 5WR
96	350	142	133	135	127	143	138	138	137
	530	131	122	124	117	131	127	127	126
	700	122	114	116	109	122	119	119	117
128	350	143	133	135	128	143	139	139	137
	530	134	126	128	120	135	131	131	129
	700	127	118	120	113	127	123	123	122
160	350	143	133	135	128	143	139	139	137
	530	133	124	126	119	133	129	129	128
	700	126	117	119	112	126	122	122	121
192	350	143	133	136	128	143	139	139	137
	530	131	123	125	117	132	128	128	126
	700	125	116	118	111	125	121	121	120
VLX 5K LPW Data									
#LED's	mA	Type 1	Type 2	Type 3	Type 4	Type 4A	Type 5	Type 5W	Type 5WR
96	350	137	128	130	122	137	133	133	130
	530	126	117	119	112	126	122	122	120
	700	117	109	111	105	117	114	114	112
128	350	137	128	130	122	137	133	133	131
	530	129	120	122	115	129	125	125	123
	700	122	114	115	109	122	118	118	116
160	350	137	128	130	122	137	133	133	131
	530	127	119	121	114	128	124	124	121
	700	120	112	114	108	121	117	117	115
192	350	137	128	130	123	137	133	133	131
	530	126	118	120	113	126	123	123	120
	700	120	112	113	107	120	116	116	114

VLX 3K BUG Data																									
LED's	mA	Type 1			Type 2			Type 3			Type 4			Type 4A			Type 5			Type 5W			Type T5WR		
96	350	4	0	4	3	0	3	2	0	2	2	0	3	2	0	2	3	0	2	4	0	2	4	0	2
	530	4	0	4	3	0	4	3	0	3	3	0	3	3	0	2	4	0	2	4	0	3	5	0	3
	700	4	0	4	3	0	4	3	0	3	3	0	3	3	0	3	4	0	2	5	0	3	5	0	3
128	350	4	0	4	3	0	3	3	0	3	3	0	3	3	0	2	4	0	2	4	0	2	4	0	2
	530	4	0	4	3	0	4	3	0	4	3	0	4	3	0	3	4	0	2	5	0	3	5	0	3
	700	5	0	5	4	0	5	3	0	4	3	0	4	3	0	3	5	0	3	5	0	4	5	0	4
160	350	4	0	4	3	0	4	3	0	3	3	0	3	3	0	3	4	0	2	5	0	3	5	0	3
	530	5	0	5	4	0	5	3	0	4	3	0	4	3	0	3	5	0	3	5	0	4	5	0	4
	700	5	0	5	4	0	5	3	0	4	4	0	5	3	0	3	5	0	3	5	0	4	5	0	4
192	350	5	0	5	3	0	4	3	0	4	3	0	4	3	0	3	4	0	2	5	0	3	5	0	4
	530	5	0	5	4	0	5	3	0	4	4	0	4	3	0	3	5	0	3	5	0	4	5	0	4
	700	5	0	5	4	0	5	4	0	5	4	0	5	4	0	3	5	0	4	5	0	5	5	0	5
VLX 4K BUG Data																									
LED's	mA	Type 1			Type 2			Type 3			Type 4			Type 4A			Type 5			Type 5W			Type T5WR		
96	350	4	0	4	3	0	3	2	0	2	2	0	3	2	0	2	4	0	2	4	0	2	4	0	2
	530	4	0	4	3	0	4	3	0	3	3	0	3	3	0	2	4	0	2	4	0	3	5	0	3
	700	4	0	4	3	0	4	3	0	3	3	0	3	3	0	3	4	0	2	5	0	3	5	0	3
128	350	4	0	4	3	0	4	3	0	3	3	0	3	3	0	2	4	0	2	4	0	2	5	0	3
	530	5	0	5	3	0	5	3	0	4	3	0	4	3	0	3	5	0	3	5	0	3	5	0	4
	700	5	0	5	4	0	5	3	0	4	3	0	4	3	0	3	5	0	3	5	0	4	5	0	4
160	350	4	0	4	3	0	4	3	0	3	3	0	3	3	0	3	4	0	2	5	0	3	5	0	3
	530	5	0	5	4	0	5	3	0	4	3	0	4	3	0	3	5	0	3	5	0	4	5	0	4
	700	5	0	5	4	0	5	3	0	5	4	0	5	4	0	3	5	0	4	5	0	4	5	0	4
192	350	5	0	5	3	0	5	3	0	4	3	0	4	3	0	3	5	0	3	5	0	3	5	0	4
	530	5	0	5	4	0	5	3	0	4	4	0	4	3	0	3	5	0	3	5	0	4	5	0	4
	700	5	0	5	4	0	5	4	0	5	4	0	5	4	0	3	5	0	4	5	0	5	5	0	5
VLX 5K BUG Data																									
LED's	mA	Type 1			Type 2			Type 3			Type 4			Type 4A			Type 5			Type 5W			Type T5WR		
96	350	4	0	4	3	0	3	2	0	2	2	0	3	2	0	2	3	0	2	4	0	2	4	0	2
	530	4	0	4	3	0	4	3	0	3	3	0	3	3	0	2	4	0	2	4	0	3	5	0	3
	700	4	0	4	3	0	4	3	0	3	3	0	3	3	0	3	4	0	2	5	0	3	5	0	3
128	350	4	0	4	3	0	3	3	0	3	3	0	3	3	0	2	4	0	2	4	0	2	4	0	2
	530	5	0	5	3	0	4	3	0	4	3	0	4	3	0	3	4	0	2	5	0	3	5	0	3
	700	5	0	5	4	0	5	3	0	4	3	0	4	3	0	3	5	0	3	5	0	4	5	0	4
160	350	4	0	4	3	0	4	3	0	3	3	0	3	3	0	3	4	0	2	5	0	3	5	0	3
	530	5	0	5	4	0	5	3	0	4	3	0	4	3	0	3	5	0	3	5	0	4	5	0	4
	700	5	0	5	4	0	5	3	0	4	4	0	5	3	0	3	5	0	4	5	0	4	5	0	4
192	350	5	0	5	3	0	5	3	0	4	3	0	4	3	0	3	4	0	2	5	0	3	5	0	3
	530	5	0	5	4	0	5	3	0	4	4	0	4	3	0	3	5	0	3	5	0	4	5	0	4
	700	5	0	5	4	0	5	4	0	5	4	0	5	4	0	3	5	0	4	5	0	5	5	0	5

# VLX LED Specifications

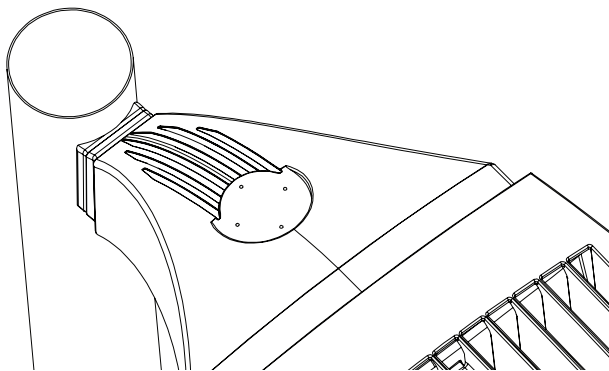
Twist lock Photocell & Receptacle

Dusk to dawn sensor.



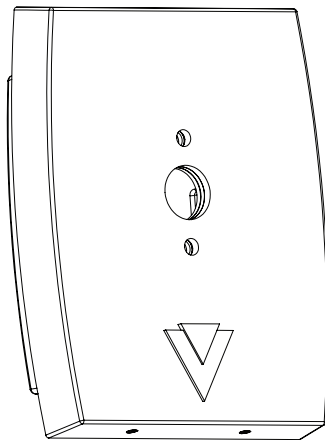
Round Pole Plate Adaptor

Round Pole Plate Adaptor to be used with round pole.



Cast Wall Plate

Arm mount wall plate is needed to wall mount the VLX.



Motion Sensor

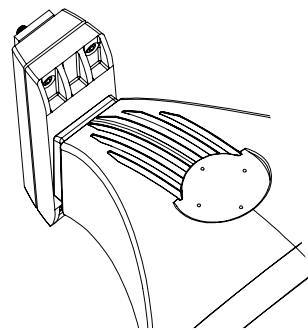
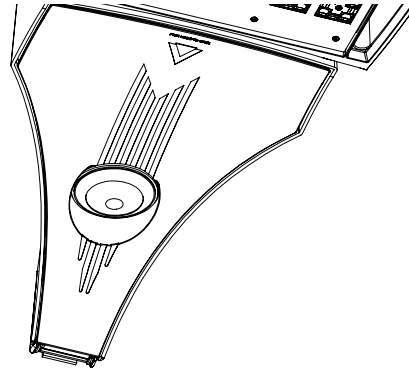
The FSP-211 by Legrand is integrated into the VLX housing and provides multi-level control based on motion and/or daylight contribution.

Lens Coverage Patterns:

- WSC-8 - 360° lens, maximum coverage 48'; diameter from 8' height
- WSC-20 - 360° lens, maximum coverage 48'; diameter from 20' height
- WSC-40 - 360° lens, maximum coverage 100'; diameter from 40' height

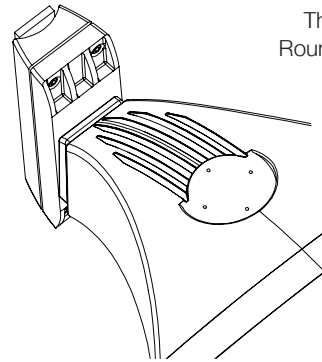
Default settings:

FACTORY DEFAULTS High Mode	0 Volts
Low Mode	1 Volts
Time Delay	5 Minutes
Cut Off	1 Hour
Sensitivity	Maximum
Hold Off Set point	4 Foot Candles
Ramp Up	None
Fade Down	None
Force Off Set point with Occupied	Disable



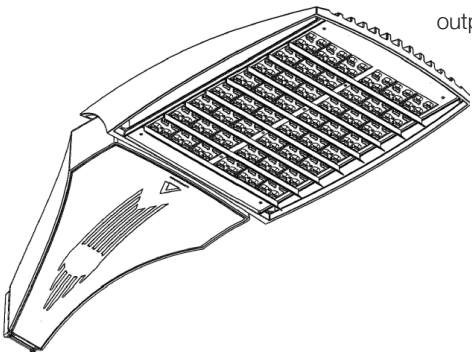
**UPMA**

The Universal Pole Mount Adaptor is ideal for retrofit applications with existing square poles. This adaptor is slotted to fit any existing drilling pattern, up to 6 1/2" bolt to bolt maximum.



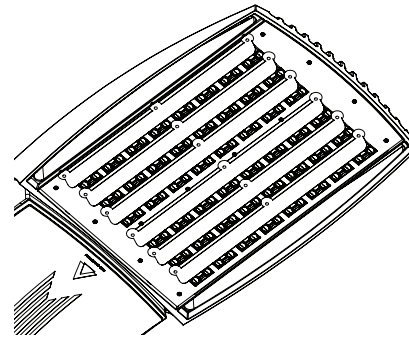
**UPMA-R**

The Universal Pole Mount Adaptor Round is ideal for retrofit applications with existing round poles. This adaptor is slotted to fit any existing drilling pattern, up to 6 1/2" bolt to bolt maximum.



**CLS**

The back side cutoff louver shield will reduce light output behind the fixture, all of the light will be focused in front of the VLX.



**RCLS**

The Right Side Cutoff Louver Shield will reduce light output on the left side of the fixture, all of the light be focused on the right side of the VLX.

**LCLS**

The Left Side Cutoff Louver Shield will reduce light output on the right side of the fixture, all of the light be focused on the left side of the VLX.

