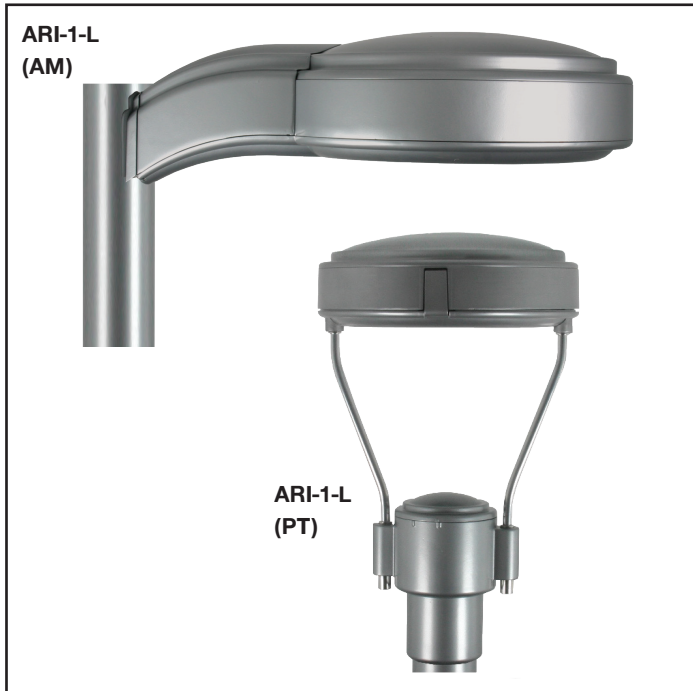


ARIA-1 LED Specifications



Project Name:

Catalog Number:

Type:

Contemporary design meets the new generation of LED green technology in this stunning luminaire, the **Aria**. The Aria series provides over fifty percent energy savings over traditional HID light sources; and offers excellent beam control and LED life beyond 100,000 hours for 350 milliamp systems. The Aria is offered in six optical distributions.

The Aria fully-sealed housing features an exceptionally well-designed thermal management system that provides superior heat dissipation.

The popular **Aria** is the perfect compliment to any university campus, business park, or walkway project where contemporary, architectural design is desired.

Ordering Information

MODEL	OPTICS	LEDS	CURRENT	KELVIN	VOLTAGE	MOUNTING	FINISH	OPTIONS	OPTIONS
ARI-1-L	T1 Type 1	16LC	3 350mA	3K 3000K	UNV 120-277V	AM Arm Mount	GY Grey	PCR-120	RPP3
	T2 Type 2	32LC	5 530mA	4K 4000K	8 347V	PT Post Top Slips over 3"ØD tenon × 4" tall	SL Silver Metallic	PCR-208	RPP4
	T3 Type 3	48LC		5K 5000K	5 480V		BK Black	PCR-240	RPP5
	T4 Type 4	64LC						PCR-277	For 3", 4", or 5"Ø Pole Round Pole Plate Adaptor
	T4A Type 4 Automotive	80LC					SBK Smooth Black	PCR-480 Photocell & Receptacle	ROT-R Rotated Optics Right Side
	T5 Type 5	96LC				WM Wall Mount	WH White	PER 5PINPER	ROT-L Rotated Optics Left Side
	T5W Type 5 Wide					*Round Pole Plate Adaptors (RPP) are to be ordered separately.	SWH Smooth White	7PINPER 3, 5, OR 7 Pin Photo Receptacle w/shorting cap Requires Dimming Driver	CLS Cutoff Louver Shield
	T5WR Type 5 Wide Round						BZ Bronze	WSC-8 Motion Sensor 8' Mounting Height	AWP Aria Wall Plate
							GP Graphite	WSC-20 Motion Sensor 9-20' Mounting Height	ACB Aria Conduit Box
							CC Custom Color	WSC-40 Motion Sensor 21-40' Mounting Height This option will require (1) FSIR 100 remote for programming	DIM 0-10v Dimming Driver
									VWC Visionaire Wireless Controls *Consult Factory

Features & Specifications

ARIA-1

Housing

- Die cast aluminum fixture housing is 20" diameter with integral tool-less push latch sealing mechanism.

Door Frame and Lens

- Die cast aluminum door frame incorporates two one-piece silicone channel gaskets to seal the housing and arm completely. Opening the hinged door frame allows for direct access to the lamp and driver. The door frame includes an aircraft cable support to hold it securely while servicing the fixture.

Thermal Management

- The Aria provides excellent overall thermal management by maximizing the efficiency of the heat sink in the fixture (see Interior View). This enables the Aria to withstand higher ambient temperatures and higher drive currents without degrading LED life.
- The L70 test determines the point in an LED's life when it reaches 70 percent of its initial output. Aria series LEDs have been determined to last a minimum of 100,000 hours in 25o C environments when driven at 350 mA. See LED Data Chart below for actual test results.

Optical System

- The highest lumen output are utilized in the Aria series. IES Types I, II, III, IV, IV-A, V, V-W, V-WR distributions are standard. The LED light assemblies are available in 16, 32, 48, 64, 80, or 96 LED configurations. The optical system qualifies as IES full cutoff to restrict light trespass, glare and light pollution.
- CRI values are 70.

Quali-Guard® Finish

A Quali-Guard® thermoset polyester powder coat painted finish is available in 8 standard and custom colors.

Mounting

- Post Top Mount:** The cast aluminum post top mount fitter houses the driver assembly. The contractor-friendly mounting hardware is concealed inside the post top fitter; which slips over a 3" O.D. x 4" tall tenon.
- Arm Mount:** The fixture mounts directly to the pole by means of three stainless steel mounting bolts attaching to an in-pole nut plate, to ensure level installation.
- A Round Pole Plate Adaptor (RPP-4/5) is required for mounting to 4" or 5" round poles.
- Cast wall mount plate predrilled for easy mounting

Electrical Assembly

- The Aria is supplied with a choice of 350 or 530 mA high-performance LED drivers that accept 120 V thru 480 V, 50 Hz to 60 Hz, input.
- Power factor of 90%.
- Rated for -40 oC operations.
- 10 kV surge protector supplied as standard.

Warranty

Five (5) year Limited Warranty on entire system, including finish. For full warranty information, please visit VisionaireLighting.com.

Options

- Photocell & receptacle
- Painted bars for post mount
- Photo receptacle
- Round pole plate adaptor
- Button type photocell
- Cutoff louver system
- Aria wall plate
- Aria conduit box
- 0-10 V dimming driver

Please consult factory for custom options.

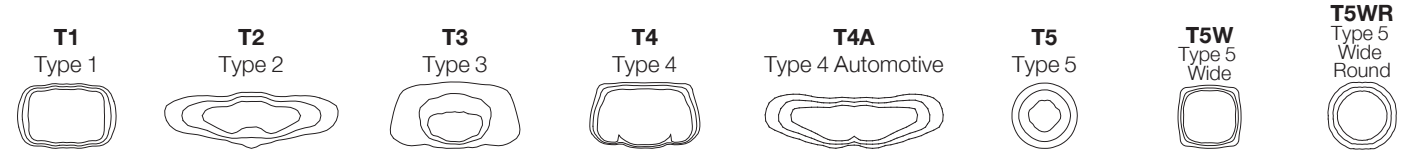
Listings

- Aria is ETL listed, suitable for wet locations.
- LM79.
- LM80.
- IP-65
- RoHS compliant.
- Powder Coated Tough™ .
- International Dark Sky (IDA) Approved



ARIA-1 LED Specifications

Photometric Optical Summary



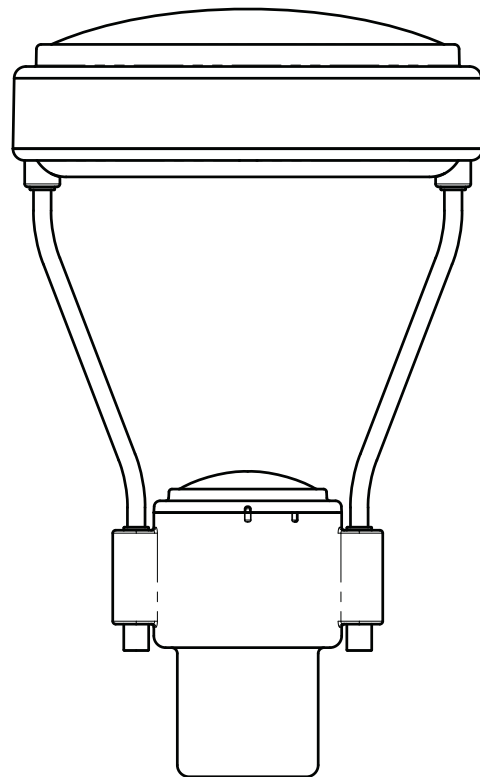
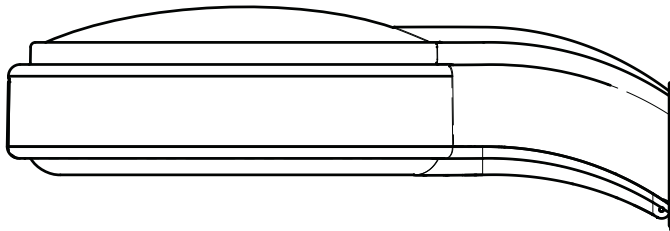
EPA Data	Fixture with Arm						
	ARI-1-L (AM)	1.2	2.2	2.5	2.7	2.6	2.7
	ARI-1-L (PT)	1.8	3.6	3.6	5.3	5.3	5.3

Dimensions AM

Width:	ARI-1 20"
Height:	ARI-1 7.25"
Depth:	ARI-1 28.25"
Weight:	41 LBS

Dimensions PT

Width:	ARI-1 20"
Height:	ARI-1 29.75"
Weight:	41.5 LBS



LED Specifications **ARIA-1**

ARIA 1 - ARM MOUNT - 3K LUMEN CHART										
LEDS	Current(mA)	T1	T2	T3	T4	T4A	T5	T5W	T5WR	Wattage
16	350	2227	2061	2053	2012	2167	2254	2036	2052	18
	530	3207	2967	2956	2897	3121	3246	2931	2956	26
32	350	4713	4361	4344	4257	4586	4770	4308	4344	35
	530	6749	6245	6221	6096	6568	6831	6169	6221	52
48	350	7065	6537	6512	6382	6874	7150	6458	6511	53
	530	9471	8763	8729	8555	9216	9585	8657	8729	78
64	350	7657	7726	7477	7527	8108	8174	7974	7878	69
	530	10883	10982	10628	10699	11526	11618	11335	11199	105
80	350	9448	9533	9226	9288	10005	10086	9840	9721	85
	530	13290	13411	12978	13065	14075	14188	13842	13675	129
96	350	10821	10919	10567	10637	11459	11551	11270	11134	100
	530	15346	15485	14986	15086	16251	16382	15983	15790	154

ARIA 1 - ARM MOUNT - 4K LUMEN CHART										
LEDS	Current(mA)	T1	T2	T3	T4	T4A	T5	T5W	T5WR	Wattage
16	350	2250	2081	2073	2032	2189	2277	2056	2058	18
	530	3239	2997	2986	2926	3152	3279	2961	2963	26
32	350	4761	4405	4388	4603	4958	4819	4352	4355	35
	530	6817	6308	6283	6158	6634	6900	6231	6236	52
48	350	7136	6603	6577	6387	6881	7223	6523	6528	53
	530	9566	8851	8817	8641	9309	9682	8744	8751	78
64	350	8476	8553	8277	8332	8976	9048	8828	8721	69
	530	12048	12157	11765	11844	12759	12862	12548	12397	105
80	350	10459	10554	10213	10281	11076	11165	10893	10762	85
	530	14712	14846	14367	14463	15581	15706	15323	15139	129
96	350	11979	12087	11698	11776	12686	12788	12476	12326	100
	530	16988	17142	16590	16700	17991	18135	17693	17480	154

ARIA 1 - ARM MOUNT - 5K LUMEN CHART										
LEDS	Current(mA)	T1	T2	T3	T4	T4A	T5	T5W	T5WR	Wattage
16	350	2344	2169	2161	2105	2267	2373	2143	2161	18
	530	3376	3123	3111	3049	3285	3417	3086	3112	26
32	350	4961	4591	4573	4481	4828	5021	4535	4573	35
	530	7104	6574	6548	6417	6913	7191	6494	6548	52
48	350	7437	6881	6854	6717	7236	7527	6798	6855	53
	530	9969	9224	9188	9005	9701	10090	9112	9188	78
64	350	8476	8553	8277	8332	8976	9048	8828	8721	69
	530	12048	12157	11765	11844	12759	12862	12548	12397	105
80	350	10459	10554	10213	10281	11076	11165	10893	10762	85
	530	14712	14846	14367	14463	15581	15706	15323	15139	129
96	350	11979	12087	11698	11776	12686	12788	12476	12326	100
	530	16988	17142	16590	16700	17991	18135	17693	17480	154

ARIA-1 LED Specifications

ARIA 1 - ARM MOUNT - 3K LUMEN PER WATT CHART										
LEDS	Current(mA)	T1	T2	T3	T4	T4A	T5	T5W	T5WR	Wattage
16	350	126	116	116	113	122	127	115	116	18
	530	123	114	113	111	120	125	112	113	26
32	350	134	124	123	121	130	135	122	123	35
	530	130	120	120	117	126	131	119	120	52
48	350	133	123	123	120	130	135	122	123	53
	530	121	112	112	110	118	123	111	112	78
64	350	111	112	109	109	118	119	116	114	69
	530	104	105	101	102	110	111	108	107	105
80	350	111	112	109	110	118	119	116	115	85
	530	103	104	100	101	109	110	107	106	129
96	350	108	109	106	107	115	116	113	112	100
	530	99	100	97	98	105	106	104	102	154

ARIA 1 - ARM MOUNT - 4K LUMEN PER WATT CHART										
LEDS	Current(mA)	T1	T2	T3	T4	T4A	T5	T5W	T5WR	Wattage
16	350	127	117	117	115	123	128	116	116	18
	530	124	115	115	112	121	126	114	114	26
32	350	135	125	125	131	141	137	124	124	35
	530	131	121	121	118	128	133	120	120	52
48	350	135	125	124	121	130	136	123	123	53
	530	123	113	113	111	119	124	112	112	78
64	350	123	124	120	121	130	131	128	127	69
	530	115	116	112	113	122	123	120	118	105
80	350	123	124	120	121	131	132	128	127	85
	530	114	115	111	112	121	121	119	117	129
96	350	120	121	117	118	127	128	125	124	100
	530	110	111	108	108	117	118	115	113	154

ARIA 1 - ARM MOUNT - 5K LUMEN PER WATT CHART										
LEDS	Current(mA)	T1	T2	T3	T4	T4A	T5	T5W	T5WR	Wattage
16	350	132	122	122	119	128	134	121	122	18
	530	129	120	119	117	126	131	118	119	26
32	350	141	130	130	127	137	143	129	130	35
	530	137	126	126	123	133	138	125	126	52
48	350	140	130	129	127	137	142	128	129	53
	530	128	118	118	115	124	129	117	118	78
64	350	123	124	120	121	130	131	128	127	69
	530	115	116	112	113	122	123	120	118	105
80	350	123	124	120	121	131	132	128	127	85
	530	114	115	111	112	121	121	119	117	129
96	350	120	121	117	118	127	128	125	124	100
	530	110	111	108	108	117	118	115	113	154

LED Specifications **ARIA-1**

ARIA 1 - ARM MOUNT - 3K BUG CHART																										
LEDS	Current(mA)	T1			T2			T3			T4			T4A			T5			T5W			T5WR			Wattage
		B	U	G	B	U	G	B	U	G	B	U	G	B	U	G	B	U	G	B	U	G	B	U	G	
16	350	1	0	1	1	0	1	1	0	1	1	0	1	1	0	1	1	0	1	2	0	1	1	0	1	18
	530	2	0	2	1	0	1	1	0	1	1	0	1	1	0	1	2	0	1	2	0	1	2	0	1	26
32	350	2	0	2	1	0	2	1	0	1	1	0	1	1	0	1	2	0	1	3	0	1	2	0	1	35
	530	3	0	3	2	0	2	2	0	2	2	0	2	1	0	1	3	0	1	3	0	1	3	0	1	52
48	350	3	0	3	2	0	2	2	0	2	2	0	2	2	0	1	3	0	1	3	0	1	3	0	1	53
	530	3	0	3	2	0	3	2	0	2	2	0	2	2	0	2	3	0	1	3	0	2	3	0	2	78
64	350	3	0	3	2	0	2	2	0	2	2	0	2	2	0	1	3	0	1	3	0	2	3	0	1	69
	530	3	0	3	2	0	3	2	0	2	2	0	2	2	0	2	3	0	2	4	0	2	3	0	2	105
80	350	3	0	3	2	0	3	2	0	2	2	0	2	2	0	2	3	0	1	3	0	2	3	0	2	85
	530	4	0	4	3	0	3	3	0	3	3	0	3	3	0	2	3	0	2	4	0	2	4	0	2	129
96	350	3	0	3	2	0	3	2	0	2	2	0	2	2	0	2	3	0	2	4	0	2	3	0	2	100
	530	4	0	4	3	0	3	3	0	3	3	0	3	3	0	2	4	0	2	4	0	3	4	0	2	154

ARIA 1 - ARM MOUNT - 3K BUG CHART																										
LEDS	Current(mA)	T1			T2			T3			T4			T4A			T5			T5W			T5WR			Wattage
		B	U	G	B	U	G	B	U	G	B	U	G	B	U	G	B	U	G	B	U	G	B	U	G	
16	350	1	0	1	1	0	1	1	0	1	1	0	1	1	0	1	1	0	1	2	0	1	1	0	1	18
	530	2	0	2	1	0	1	1	0	1	1	0	1	1	0	1	2	0	1	2	0	1	2	0	1	26
32	350	2	0	2	1	0	2	1	0	1	1	0	1	1	0	1	2	0	1	3	0	1	2	0	1	35
	530	3	0	3	2	0	2	2	0	2	2	0	2	1	0	1	3	0	1	3	0	1	3	0	1	52
48	350	3	0	3	2	0	2	2	0	2	2	0	2	2	0	1	3	0	1	3	0	2	3	0	1	53
	530	3	0	3	2	0	3	2	0	2	2	0	2	2	0	2	3	0	1	3	0	2	3	0	2	78
64	350	3	0	3	2	0	3	2	0	2	2	0	2	2	0	1	3	0	1	3	0	2	3	0	2	69
	530	3	0	3	2	0	3	3	0	3	3	0	3	2	0	2	3	0	2	4	0	2	4	0	2	105
80	350	3	0	3	2	0	3	2	0	2	2	0	2	2	0	2	3	0	1	4	0	2	3	0	2	85
	530	4	0	4	3	0	3	3	0	3	3	0	3	3	0	2	3	0	2	4	0	3	4	0	2	129
96	350	3	0	3	2	0	3	3	0	3	3	0	3	2	0	2	3	0	2	4	0	2	4	0	2	100
	530	4	0	4	3	0	3	3	0	3	3	0	3	3	0	2	4	0	2	4	0	3	4	0	2	154

ARIA 1 - ARM MOUNT - 3K BUG CHART																										
LEDS	Current(mA)	T1			T2			T3			T4			T4A			T5			T5W			T5WR			Wattage
		B	U	G	B	U	G	B	U	G	B	U	G	B	U	G	B	U	G	B	U	G	B	U	G	
16	350	1	0	1	1	0	1	1	0	1	1	0	1	1	0	1	1	0	1	2	0	1	1	0	1	18
	530	2	0	2	1	0	1	1	0	1	1	0	1	1	0	1	2	0	1	2	0	1	2	0	1	26
32	350	3	0	3	1	0	2	1	0	1	1	0	1	1	0	1	2	0	1	3	0	1	2	0	1	35
	530	3	0	3	2	0	2	2	0	2	2	0	2	2	0	1	3	0	1	3	0	2	3	0	1	52
48	350	3	0	3	2	0	2	2	0	2	2	0	2	2	0	1	3	0	1	3	0	2	3	0	1	53
	530	3	0	3	2	0	3	2	0	2	2	0	2	2	0	2	3	0	1	3	0	2	3	0	2	78
64	350	3	0	3	2	0	3	2	0	2	2	0	2	2	0	1	3	0	1	3	0	2	3	0	2	69
	530	3	0	3	2	0	3	3	0	3	3	0	3	2	0	2	3	0	2	4	0	2	4	0	2	105
80	350	3	0	3	2	0	3	2	0	2	2	0	2	2	0	2	3	0	1	4	0	2	3	0	2	85
	530	4	0	4	3	0	3	3	0	3	3	0	3	3	0	2	3	0	2	4	0	3	4	0	2	129
96	350	3	0	3	2	0	3	3	0	3	3	0	3	2	0	2	3	0	2	4	0	2	4	0	2	100
	530	4	0	4	3	0	3	3	0	3	3	0	3	3	0	2	4	0	2	4	0	3	4	0	2	154

ARIA-1 LED Specifications

ARIA 1 - ARM MOUNT - CUTOFF LOUVER SHIELD - 3K LUMEN CHART										
LEDS	Current(mA)	T1	T2	T3	T4	T4A	T5	T5W	T5WR	Wattage
16	350	1687	1561	1555	1524	1642	1708	1542	1555	18
	530	2429	2248	2239	2195	2364	2459	2221	2240	26
32	350	3571	3304	3291	3225	3475	3614	3264	3291	35
	530	5113	4731	4713	4619	4975	5175	4674	4713	52
48	350	5352	4952	4933	4835	5208	5417	4892	4933	53
	530	7175	6639	6613	6481	6982	7262	6558	6613	78
64	350	5800	5853	5664	5702	6143	6192	6041	5968	69
	530	8245	8320	8052	8105	8732	8802	8587	8484	105
80	350	7157	7222	6989	7036	7580	7641	7455	7365	85
	530	10068	10160	9832	9898	10663	10748	10486	10360	129
96	350	8197	8272	8005	8059	8681	8751	8538	8435	100
	530	11626	11731	11353	11428	12312	12411	12108	11962	154

ARIA 1 - ARM MOUNT - CUTOFF LOUVER SHIELD - 4K LUMEN CHART										
LEDS	Current(mA)	T1	T2	T3	T4	T4A	T5	T5W	T5WR	Wattage
16	350	1704	1577	1571	1539	1658	1725	1558	1559	18
	530	2454	2271	2262	2217	2388	2484	2243	2245	26
32	350	3607	3337	3324	3487	3756	3650	3297	3299	35
	530	5165	4779	4760	4665	5026	5227	4721	4724	52
48	350	5406	5002	4983	4839	5213	5472	4942	4946	53
	530	7247	6706	6680	6546	7052	7335	6624	6629	78
64	350	6421	6479	6271	6312	6800	6855	6688	6607	69
	530	9127	9210	8913	8973	9666	9744	9506	9392	105
80	350	7923	7995	7737	7789	8391	8458	8252	8153	85
	530	11146	11247	10884	10957	11804	11898	11609	11469	129
96	350	9075	9157	8862	8921	9610	9688	9452	9338	100
	530	12870	12987	12568	12651	13629	13739	13404	13242	154

ARIA 1 - ARM MOUNT - CUTOFF LOUVER SHIELD - 5K LUMEN CHART										
LEDS	Current(mA)	T1	T2	T3	T4	T4A	T5	T5W	T5WR	Wattage
16	350	1776	1643	1637	1595	1718	1798	1623	1637	18
	530	2557	2366	2357	2310	2488	2588	2338	2357	26
32	350	3759	3478	3464	3395	3657	3804	3435	3464	35
	530	5382	4980	4961	4862	5237	5447	4920	4961	52
48	350	5634	5213	5193	5089	5482	5702	5150	5193	53
	530	7552	6988	6961	6822	7349	7644	6903	6961	78
64	350	6421	6479	6271	6312	6800	6855	6688	6607	69
	530	9127	9210	8913	8973	9666	9744	9506	9392	105
80	350	7923	7995	7737	7789	8391	8458	8252	8153	85
	530	11146	11247	10884	10957	11804	11898	11609	11469	129
96	350	9075	9157	8862	8921	9610	9688	9452	9338	100
	530	12870	12987	12568	12651	13629	13739	13404	13242	154

LED Specifications **ARIA-1**

ARIA 1 - ARM MOUNT - CUTOFF LOUVER SHIELD - 3K LUMEN PER WATT CHART										
LEDS	Current(mA)	T1	T2	T3	T4	T4A	T5	T5W	T5WR	Wattage
16	350	95	88	88	86	93	96	87	88	18
	530	93	86	86	84	91	94	85	86	26
32	350	101	94	93	92	99	103	93	93	35
	530	98	91	91	89	96	100	90	91	52
48	350	101	93	93	91	98	102	92	93	53
	530	92	85	85	83	90	93	84	85	78
64	350	84	85	82	83	89	90	88	87	69
	530	79	79	77	77	83	84	82	81	105
80	350	84	85	82	83	89	90	88	87	85
	530	78	79	76	77	82	83	81	80	129
96	350	82	83	80	81	87	88	86	85	100
	530	75	76	74	74	80	80	78	78	154

ARIA 1 - ARM MOUNT - CUTOFF LOUVER SHIELD - 4K LUMEN PER WATT CHART										
LEDS	Current(mA)	T1	T2	T3	T4	T4A	T5	T5W	T5WR	Wattage
16	350	96	89	89	87	93	97	88	88	18
	530	94	87	87	85	92	95	86	86	26
32	350	102	95	94	99	107	104	94	94	35
	530	99	92	92	90	97	101	91	91	52
48	350	102	94	94	91	98	103	93	93	53
	530	93	86	86	84	90	94	85	85	78
64	350	93	94	91	92	99	99	97	96	69
	530	87	88	85	86	92	93	91	90	105
80	350	93	94	91	92	99	100	97	96	85
	530	86	87	84	85	91	92	90	89	129
96	350	91	92	89	89	96	97	95	94	100
	530	83	84	81	82	88	89	87	86	154

ARIA 1 - ARM MOUNT - CUTOFF LOUVER SHIELD - 5K LUMEN PER WATT CHART										
LEDS	Current(mA)	T1	T2	T3	T4	T4A	T5	T5W	T5WR	Wattage
16	350	100	93	92	90	97	101	92	92	18
	530	98	91	90	89	95	99	90	90	26
32	350	107	99	98	96	104	108	98	98	35
	530	104	96	95	93	101	105	95	95	52
48	350	106	98	98	96	103	108	97	98	53
	530	97	90	89	87	94	98	89	89	78
64	350	93	94	91	92	99	99	97	96	69
	530	87	88	85	86	92	93	91	90	105
80	350	93	94	91	92	99	100	97	96	85
	530	86	87	84	85	91	92	90	89	129
96	350	91	92	89	89	96	97	95	94	100
	530	83	84	81	82	88	89	87	86	154

ARIA-1 LED Specifications

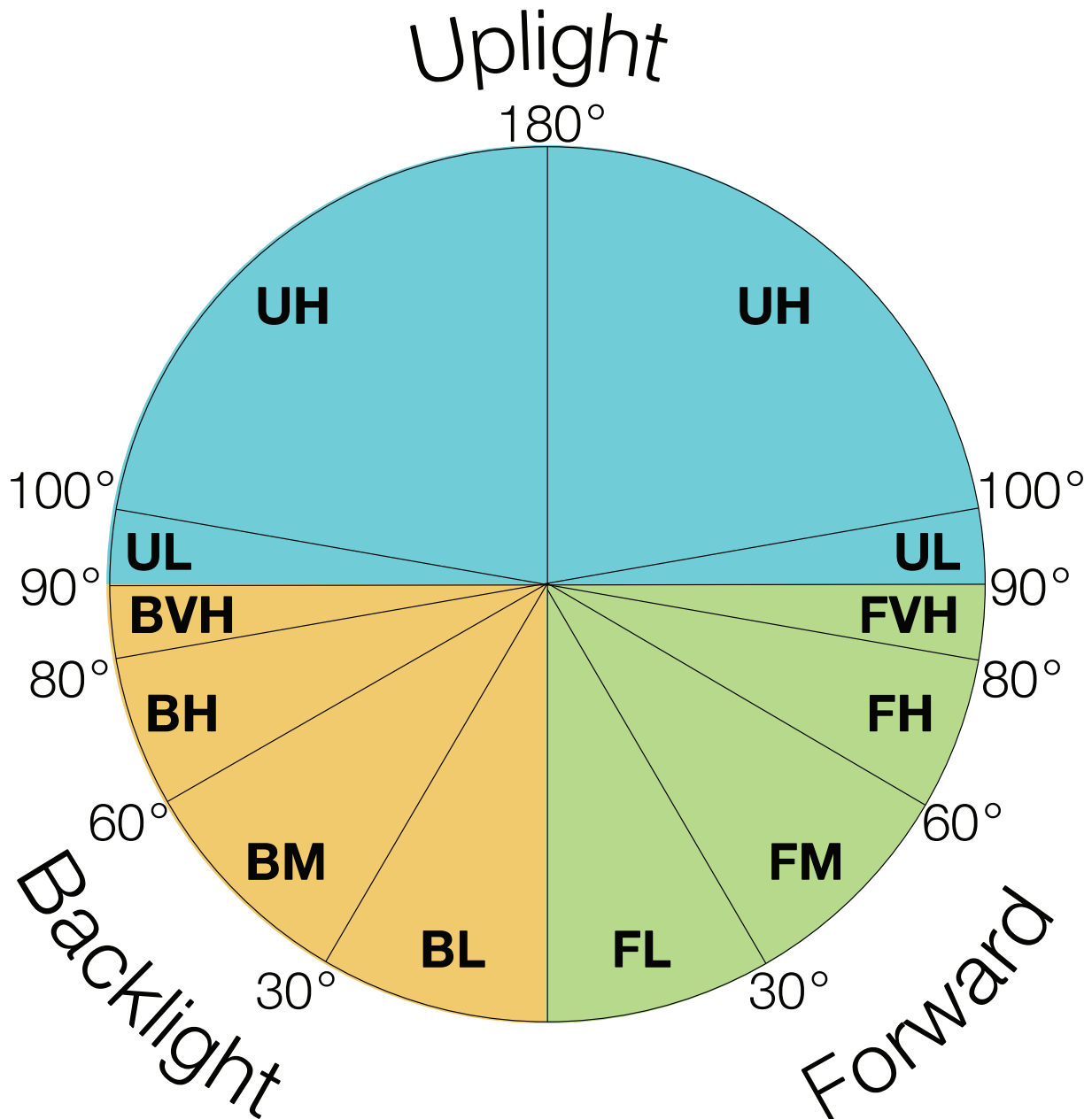
ARIA 1 - ARM MOUNT - CUTOFF LOUVER SHIELD - 3K BUG CHART																													
LEDS	Current(mA)	T1			T2			T3			T4			T4A			T5			T5W			T5WR			Wattage			
		B	U	G	B	U	G	B	U	G	B	U	G	B	U	G	B	U	G	B	U	G	B	U	G				
16	350	1	0	1	1	0	1	1	0	1	1	0	1	1	0	1	1	0	1	2	0	1	2	0	1	1	0	1	18
	530	2	0	2	1	0	1	1	0	1	1	0	1	1	0	1	2	0	1	2	0	1	2	0	1	2	0	1	26
32	350	2	0	2	1	0	2	1	0	1	1	0	1	1	0	1	2	0	1	3	0	1	3	0	1	2	0	1	35
	530	3	0	3	2	0	2	2	0	2	2	0	2	1	0	1	3	0	1	3	0	1	3	0	1	3	0	1	52
48	350	3	0	3	2	0	2	2	0	2	2	0	2	2	0	1	3	0	1	3	0	1	3	0	1	3	0	1	53
	530	3	0	3	2	0	3	2	0	2	2	0	2	2	0	2	3	0	1	3	0	2	3	0	2	3	0	2	78
64	350	3	0	3	2	0	2	2	0	2	2	0	2	2	0	1	3	0	1	3	0	1	3	0	2	3	0	1	69
	530	3	0	3	2	0	3	2	0	2	2	0	2	2	0	2	3	0	2	4	0	2	4	0	2	3	0	2	105
80	350	3	0	3	2	0	3	2	0	2	2	0	2	2	0	2	3	0	1	3	0	1	3	0	2	3	0	2	85
	530	4	0	4	3	0	3	3	0	3	3	0	3	3	0	2	3	0	2	4	0	2	4	0	2	4	0	2	129
96	350	3	0	3	2	0	3	2	0	2	2	0	2	2	0	2	3	0	2	3	0	2	4	0	2	3	0	2	100
	530	4	0	4	3	0	3	3	0	3	3	0	3	3	0	2	4	0	2	4	0	2	4	0	3	4	0	2	154

ARIA 1 - ARM MOUNT - CUTOFF LOUVER SHIELD - 3K BUG CHART																													
LEDS	Current(mA)	T1			T2			T3			T4			T4A			T5			T5W			T5WR			Wattage			
		B	U	G	B	U	G	B	U	G	B	U	G	B	U	G	B	U	G	B	U	G	B	U	G				
16	350	1	0	1	1	0	1	1	0	1	1	0	1	1	0	1	1	0	1	2	0	1	2	0	1	1	0	1	18
	530	2	0	2	1	0	1	1	0	1	1	0	1	1	0	1	2	0	1	2	0	1	2	0	1	2	0	1	26
32	350	2	0	2	1	0	2	1	0	1	1	0	1	1	0	1	2	0	1	3	0	1	3	0	1	2	0	1	35
	530	3	0	3	2	0	2	2	0	2	2	0	2	1	0	1	3	0	1	3	0	1	3	0	1	3	0	1	52
48	350	3	0	3	2	0	2	2	0	2	2	0	2	2	0	1	3	0	1	3	0	1	3	0	2	3	0	1	53
	530	3	0	3	2	0	3	2	0	2	2	0	2	2	0	2	3	0	1	3	0	2	3	0	2	3	0	2	78
64	350	3	0	3	2	0	3	2	0	2	2	0	2	2	0	1	3	0	1	3	0	1	3	0	2	3	0	2	69
	530	3	0	3	2	0	3	3	0	3	3	0	3	2	0	2	3	0	2	4	0	2	4	0	2	4	0	2	105
80	350	3	0	3	2	0	3	2	0	2	2	0	2	2	0	2	3	0	1	4	0	2	3	0	2	3	0	2	85
	530	4	0	4	3	0	3	3	0	3	3	0	3	3	0	2	3	0	2	4	0	3	4	0	3	4	0	2	129
96	350	3	0	3	2	0	3	3	0	3	3	0	3	2	0	2	3	0	2	4	0	2	4	0	2	4	0	2	100
	530	4	0	4	3	0	3	3	0	3	3	0	3	3	0	2	4	0	2	4	0	2	4	0	3	4	0	2	154

ARIA 1 - ARM MOUNT - CUTOFF LOUVER SHIELD - 3K BUG CHART																													
LEDS	Current(mA)	T1			T2			T3			T4			T4A			T5			T5W			T5WR			Wattage			
		B	U	G	B	U	G	B	U	G	B	U	G	B	U	G	B	U	G	B	U	G	B	U	G				
16	350	1	0	1	1	0	1	1	0	1	1	0	1	1	0	1	1	0	1	2	0	1	2	0	1	1	0	1	18
	530	2	0	2	1	0	1	1	0	1	1	0	1	1	0	1	2	0	1	2	0	1	2	0	1	2	0	1	26
32	350	2	0	3	1	0	2	1	0	1	1	0	1	1	0	1	2	0	1	3	0	1	3	0	1	2	0	1	35
	530	3	0	3	2	0	2	2	0	2	2	0	2	2	0	1	3	0	1	3	0	1	3	0	2	3	0	1	52
48	350	3	0	3	2	0	2	2	0	2	2	0	2	2	0	1	3	0	1	3	0	1	3	0	2	3	0	1	53
	530	3	0	3	2	0	3	2	0	2	2	0	2	2	0	2	3	0	1	3	0	2	3	0	2	3	0	2	78
64	350	3	0	3	2	0	3	2	0	2	2	0	2	2	0	1	3	0	1	3	0	1	3	0	2	3	0	2	69
	530	3	0	3	2	0	3	3	0	3	3	0	3	2	0	2	3	0	2	4	0	2	4	0	2	4	0	2	105
80	350	3	0	3	2	0	3	2	0	2	2	0	2	2	0	2	3	0	1	4	0	2	3	0	2	3	0	2	85
	530	4	0	4	3	0	3	3	0	3	3	0	3	3	0	2	3	0	2	4	0	3	4	0	3	4	0	2	129
96	350	3	0	3	2	0	3	3	0	3	3	0	3	2	0	2	3	0	2	4	0	2	4	0	2	4	0	2	100
	530	4	0	4	3	0	3	3	0	3	3	0	3	3	0	2	4	0	2	4	0	2	4	0	3	4	0	2	154

Bug Rating -

The subzones are individually rated on a scale from 0 to 5, going from lowest to highest luminous flux. The highest rating of a subzone is considered the overall rating for that zone, and these readings are compiled into the BUG lighting classification: for example, B3 U1 G0. The tables below, which are based on the standards established by the IES, show the thresholds for each subzone.



ARIA-1 LED Specifications

ARIA 1 - POST TOP - 3K LUMEN CHART										
LEDS	Current(mA)	T1	T2	T3	T4	T4A	T5	T5W	T5WR	Wattage
16	350	2205	2040	2032	1991	2145	2231	2015	2032	18
	530	3175	2937	2926	2867	3089	3213	2902	2926	26
32	350	4666	4317	4300	4214	4540	4722	4265	4300	35
	530	6681	6182	6158	6035	6501	6762	6107	6158	52
48	350	6994	6471	6446	6317	6805	7078	6392	6445	53
	530	9375	8674	8641	8468	9123	9489	8569	8641	78
64	350	7579	7648	7401	7451	8027	8091	7894	7799	69
	530	10773	10871	10521	10591	11409	11501	11221	11085	105
80	350	9352	9437	9133	9194	9904	9984	9741	9623	85
	530	13156	13275	12847	12933	13932	14044	13702	13537	129
96	350	10711	10809	10460	10530	11344	11435	11156	11022	100
	530	15191	15329	14834	14933	16087	16217	15821	15631	154

ARIA 1 - POST TOP - 4K LUMEN CHART										
LEDS	Current(mA)	T1	T2	T3	T4	T4A	T5	T5W	T5WR	Wattage
16	350	2227	2060	2052	2011	2167	2254	2035	2037	18
	530	3207	2967	2955	2896	3120	3245	2931	2933	26
32	350	4713	4361	4344	4556	4908	4770	4308	4311	35
	530	6749	6244	6220	6096	6567	6830	6168	6173	52
48	350	7064	6536	6511	6323	6811	7150	6457	6462	53
	530	9470	8762	8728	8554	9215	9584	8656	8662	78
64	350	8390	8467	8194	8248	8886	8957	8739	8633	69
	530	11926	12035	11647	11724	12630	12732	12422	12272	105
80	350	10353	10447	10110	10178	10964	11052	10783	10653	85
	530	14564	14696	14222	14317	15423	15547	15168	14986	129
96	350	11858	11965	11580	11657	12558	12658	12350	12201	100
	530	16816	16969	16422	16531	17809	17952	17515	17303	154

ARIA 1 - POST TOP - 5K LUMEN CHART										
LEDS	Current(mA)	T1	T2	T3	T4	T4A	T5	T5W	T5WR	Wattage
16	350	2321	2147	2139	2083	2244	2349	2121	2139	18
	530	3342	3092	3080	3018	3252	3382	3054	3080	26
32	350	4911	4544	4527	4436	4779	4971	4489	4527	35
	530	7033	6507	6482	6352	6843	7118	6428	6482	52
48	350	7362	6811	6785	6650	7163	7451	6729	6786	53
	530	9868	9131	9095	8914	9603	9988	9020	9095	78
64	350	8390	8467	8194	8248	8886	8957	8739	8633	69
	530	11926	12035	11647	11724	12630	12732	12422	12272	105
80	350	10353	10447	10110	10178	10964	11052	10783	10653	85
	530	14564	14696	14222	14317	15423	15547	15168	14986	129
96	350	11858	11965	11580	11657	12558	12658	12350	12201	100
	530	16816	16969	16422	16531	17809	17952	17515	17303	154

LED Specifications **ARIA-1**

ARIA 1 - POST TOP - 3K LUMEN PER WATT CHART										
LEDS	Current(mA)	T1	T2	T3	T4	T4A	T5	T5W	T5WR	Wattage
16	350	124	115	115	112	121	126	114	115	18
	530	122	113	112	110	118	123	111	112	26
32	350	132	123	122	120	129	134	121	122	35
	530	128	119	118	116	125	130	117	118	52
48	350	132	122	122	119	128	134	121	122	53
	530	120	111	111	109	117	122	110	111	78
64	350	110	111	107	108	116	117	115	113	69
	530	103	104	100	101	109	110	107	106	105
80	350	110	111	108	108	117	118	115	113	85
	530	102	103	99	100	108	109	106	105	129
96	350	107	108	105	106	114	115	112	110	100
	530	98	99	96	97	104	105	103	101	154

ARIA 1 - POST TOP - 4K LUMEN PER WATT CHART										
LEDS	Current(mA)	T1	T2	T3	T4	T4A	T5	T5W	T5WR	Wattage
16	350	126	116	116	113	122	127	115	115	18
	530	123	114	113	111	120	124	112	113	26
32	350	134	124	123	129	139	135	122	122	35
	530	130	120	120	117	126	131	119	119	52
48	350	133	123	123	119	129	135	122	122	53
	530	121	112	112	110	118	123	111	111	78
64	350	122	123	119	120	129	130	127	125	69
	530	114	115	111	112	121	121	119	117	105
80	350	122	123	119	120	129	130	127	126	85
	530	113	114	110	111	119	120	117	116	129
96	350	119	120	116	117	126	127	124	122	100
	530	109	110	106	107	115	116	114	112	154

ARIA 1 - POST TOP - 5K LUMEN PER WATT CHART										
LEDS	Current(mA)	T1	T2	T3	T4	T4A	T5	T5W	T5WR	Wattage
16	350	131	121	121	117	127	132	120	121	18
	530	128	119	118	116	125	130	117	118	26
32	350	139	129	128	126	136	141	127	128	35
	530	135	125	125	122	132	137	124	125	52
48	350	139	129	128	125	135	141	127	128	53
	530	127	117	117	114	123	128	116	117	78
64	350	122	123	119	120	129	130	127	125	69
	530	114	115	111	112	121	121	119	117	105
80	350	122	123	119	120	129	130	127	126	85
	530	113	114	110	111	119	120	117	116	129
96	350	119	120	116	117	126	127	124	122	100
	530	109	110	106	107	115	116	114	112	154

ARIA-1 LED Specifications

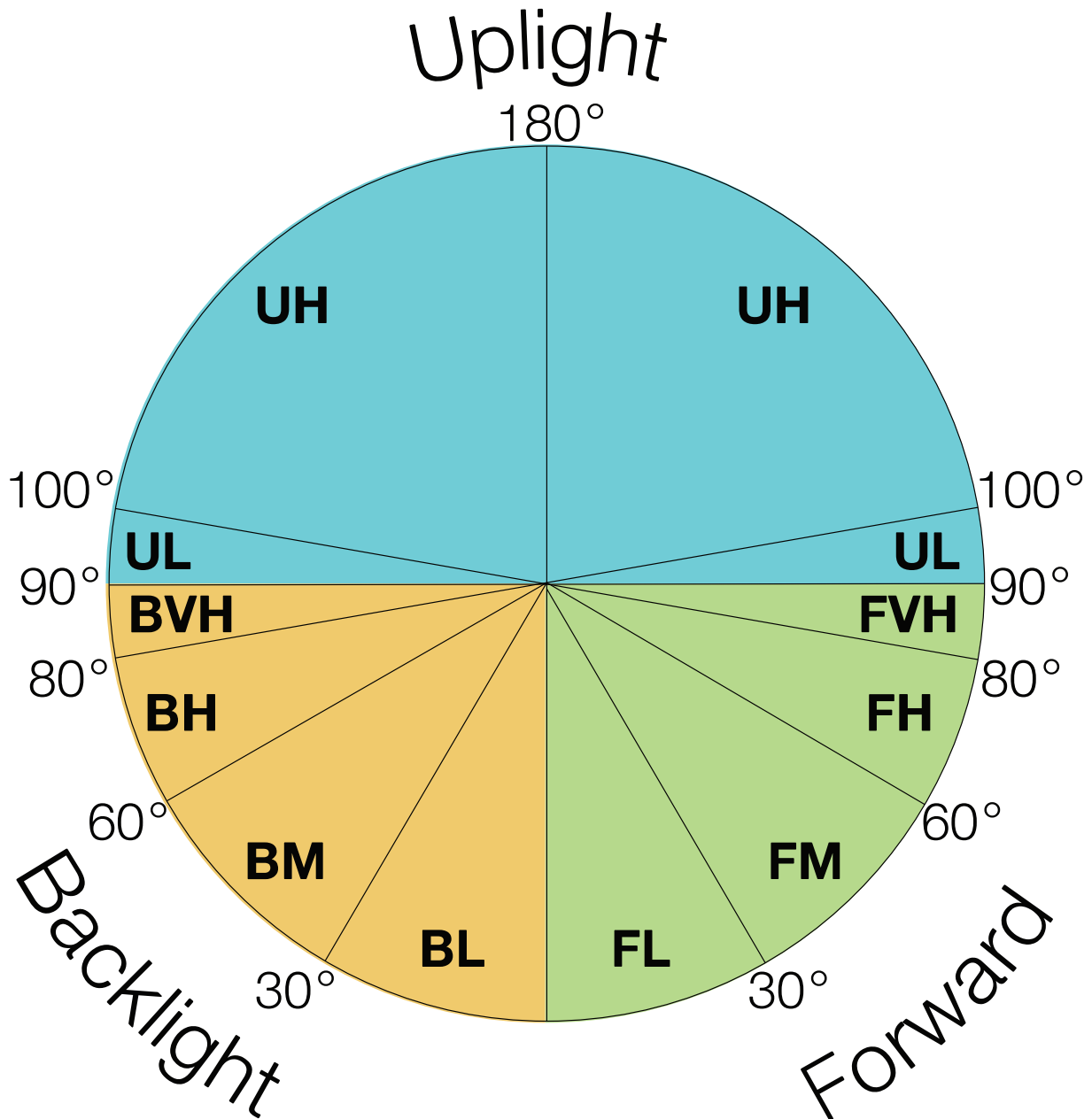
ARIA 1 - POST TOP - 3K BUG CHART																													
LEDS	Current(mA)	T1			T2			T3			T4			T4A			T5			T5W			T5WR			Wattage			
		B	U	G	B	U	G	B	U	G	B	U	G	B	U	G	B	U	G	B	U	G	B	U	G				
16	350	2	0	2	1	0	1	1	0	1	1	0	1	1	0	1	1	0	1	2	0	1	2	0	1	2	0	1	18
	530	2	0	2	1	0	2	1	0	1	1	0	1	1	0	1	2	0	1	2	0	1	2	0	1	2	0	1	26
32	350	3	0	3	1	0	2	1	0	1	1	0	1	1	0	1	2	0	1	3	0	1	3	0	1	3	0	1	35
	530	3	0	3	2	0	2	2	0	2	2	0	2	2	1	0	1	3	0	1	3	0	2	3	0	2	3	0	52
48	350	3	0	3	2	0	2	2	0	2	2	0	2	2	1	0	1	3	0	1	3	0	2	3	0	2	3	0	53
	530	3	0	3	2	0	3	2	0	2	2	0	2	2	2	0	2	3	0	1	3	0	2	3	0	2	3	0	78
64	350	3	0	3	2	0	3	2	0	2	2	0	2	2	2	0	2	3	0	1	3	0	2	3	0	2	3	0	69
	530	3	0	3	3	0	3	3	0	3	2	0	2	2	2	0	2	3	0	2	4	0	2	4	0	2	4	0	105
80	350	3	0	3	2	0	3	2	0	2	2	0	2	2	2	0	2	3	0	1	4	0	2	3	0	2	3	0	85
	530	4	0	4	3	0	3	3	0	3	3	0	3	2	2	0	2	3	0	2	4	0	3	4	0	2	4	0	129
96	350	3	0	3	3	0	3	3	0	3	2	0	2	2	2	0	2	3	0	2	4	0	2	4	0	2	4	0	100
	530	4	0	4	3	0	4	3	0	3	3	0	3	2	2	0	2	4	0	2	4	0	3	4	0	2	4	0	154

ARIA 1 - POST TOP - 4K BUG CHART																													
LEDS	Current(mA)	T1			T2			T3			T4			T4A			T5			T5W			T5WR			Wattage			
		B	U	G	B	U	G	B	U	G	B	U	G	B	U	G	B	U	G	B	U	G	B	U	G				
16	350	2	0	2	1	0	1	1	0	1	1	0	1	1	0	1	1	0	1	2	0	1	2	0	1	2	0	1	18
	530	2	0	2	1	0	2	1	0	1	1	0	1	1	0	1	2	0	1	2	0	1	2	0	1	2	0	1	26
32	350	3	0	3	1	0	2	1	0	1	1	0	1	1	0	1	2	0	1	3	0	1	3	0	1	3	0	1	35
	530	3	0	3	2	0	2	2	0	2	2	0	2	2	1	0	1	3	0	1	3	0	2	3	0	2	3	0	52
48	350	3	0	3	2	0	3	2	0	2	2	0	2	2	1	0	1	3	0	1	3	0	2	3	0	2	3	0	53
	530	3	0	3	2	0	3	2	0	2	2	0	2	2	2	0	2	3	0	1	3	0	2	3	0	2	3	0	78
64	350	3	0	3	2	0	3	2	0	2	2	0	2	2	2	0	2	3	0	1	3	0	2	3	0	2	3	0	69
	530	4	0	4	3	0	3	3	0	3	3	0	3	2	2	0	2	3	0	2	4	0	2	4	0	2	4	0	105
80	350	3	0	3	2	0	3	2	0	2	2	0	2	2	2	0	2	3	0	2	4	0	2	4	0	2	4	0	85
	530	4	0	4	3	0	4	3	0	3	3	0	3	2	2	0	2	4	0	2	4	0	3	4	0	2	4	0	129
96	350	4	0	4	3	0	3	3	0	3	3	0	3	2	2	0	2	3	0	2	4	0	2	4	0	2	4	0	100
	530	4	0	4	3	0	4	3	0	3	3	0	3	3	2	0	3	4	0	2	4	0	3	4	0	3	4	0	154

ARIA 1 - POST TOP - 5K BUG CHART																													
LEDS	Current(mA)	T1			T2			T3			T4			T4A			T5			T5W			T5WR			Wattage			
		B	U	G	B	U	G	B	U	G	B	U	G	B	U	G	B	U	G	B	U	G	B	U	G				
16	350	2	0	2	1	0	1	1	0	1	1	0	1	1	0	1	1	0	1	2	0	1	2	0	1	2	0	1	18
	530	2	0	2	1	0	2	1	0	1	1	0	1	1	0	1	2	0	1	2	0	1	2	0	1	2	0	1	26
32	350	3	0	3	1	0	2	1	0	1	1	0	1	1	0	1	2	0	1	3	0	1	3	0	1	3	0	1	35
	530	3	0	3	2	0	2	2	0	2	2	0	2	2	1	0	1	3	0	1	3	0	2	3	0	2	3	0	52
48	350	3	0	3	2	0	3	2	0	2	2	0	2	2	2	0	1	3	0	1	3	0	2	3	0	2	3	0	53
	530	3	0	3	2	0	3	2	0	2	2	0	2	2	2	0	2	3	0	1	3	0	2	3	0	2	3	0	78
64	350	3	0	3	2	0	3	2	0	2	2	0	2	2	2	0	2	3	0	1	3	0	2	3	0	2	3	0	69
	530	4	0	4	3	0	3	3	0	3	3	0	3	2	2	0	2	3	0	2	4	0	2	4	0	2	4	0	105
80	350	3	0	3	2	0	3	2	0	2	2	0	2	2	2	0	2	3	0	2	4	0	2	4	0	2	4	0	85
	530	4	0	4	3	0	4	3	0	3	3	0	3	2	2	0	2	4	0	2	4	0	3	4	0	2	4	0	129
96	350	4	0	4	3	0	3	3	0	3	3	0	3	2	2	0	2	3	0	2	4	0	2	4	0	2	4	0	100
	530	4	0	4	3	0	4	3	0	3	3	0	3	3	2	0	3	4	0	2	4	0	3	4	0	3	4	0	154

Bug Rating -

The subzones are individually rated on a scale from 0 to 5, going from lowest to highest luminous flux. The highest rating of a subzone is considered the overall rating for that zone, and these readings are compiled into the BUG lighting classification: for example, B3 U1 G0. The tables below, which are based on the standards established by the IES, show the thresholds for each subzone.



ARIA-1 LED Specifications

ARIA 1 - POST TOP - CUTOFF LOUVER SHIELD - 3K LUMEN CHART										
LEDS	Current(mA)	T1	T2	T3	T4	T4A	T5	T5W	T5WR	Wattage
16	350	1741	1611	1605	1573	1694	1762	1592	1605	18
	530	2507	2320	2311	2265	2440	2538	2292	2311	26
32	350	3685	3409	3396	3328	3586	3730	3368	3396	35
	530	5277	4882	4863	4766	5135	5341	4823	4864	52
48	350	5523	5111	5091	4989	5375	5590	5049	5091	53
	530	7404	6851	6824	6688	7205	7494	6768	6824	78
64	350	5986	6040	5846	5885	6339	6390	6235	6159	69
	530	8509	8586	8309	8365	9011	9083	8862	8755	105
80	350	7386	7453	7213	7261	7822	7885	7693	7600	85
	530	10390	10485	10147	10214	11004	11092	10822	10691	129
96	350	8460	8537	8261	8316	8959	9031	8811	8705	100
	530	11998	12107	11716	11794	12706	12808	12496	12345	154

ARIA 1 - POST TOP - CUTOFF LOUVER SHIELD - 4K LUMEN CHART										
LEDS	Current(mA)	T1	T2	T3	T4	T4A	T5	T5W	T5WR	Wattage
16	350	1759	1627	1621	1589	1711	1780	1608	1609	18
	530	2533	2343	2334	2288	2464	2563	2315	2317	26
32	350	3722	3444	3431	3598	3876	3767	3402	3405	35
	530	5330	4932	4913	4814	5187	5395	4872	4875	52
48	350	5579	5162	5142	4994	5380	5647	5100	5104	53
	530	7479	6920	6893	6756	7278	7570	6836	6841	78
64	350	6627	6687	6471	6514	7018	7074	6902	6819	69
	530	9419	9505	9198	9260	9975	10056	9810	9692	105
80	350	8177	8251	7985	8038	8659	8729	8516	8414	85
	530	11502	11607	11233	11307	12181	12279	11980	11836	129
96	350	9365	9450	9145	9206	9918	9998	9754	9636	100
	530	13281	13402	12970	13056	14065	14178	13833	13666	154

ARIA 1 - POST TOP - CUTOFF LOUVER SHIELD - 5K LUMEN CHART										
LEDS	Current(mA)	T1	T2	T3	T4	T4A	T5	T5W	T5WR	Wattage
16	350	1833	1696	1689	1646	1773	1855	1675	1690	18
	530	2639	2442	2432	2384	2568	2671	2412	2433	26
32	350	3879	3589	3575	3504	3774	3926	3545	3575	35
	530	5554	5139	5119	5017	5405	5622	5077	5119	52
48	350	5814	5380	5359	5252	5657	5885	5314	5359	53
	530	7794	7212	7184	7040	7584	7888	7124	7183	78
64	350	6627	6687	6471	6514	7018	7074	6902	6819	69
	530	9419	9505	9198	9260	9975	10056	9810	9692	105
80	350	8177	8251	7985	8038	8659	8729	8516	8414	85
	530	11502	11607	11233	11307	12181	12279	11980	11836	129
96	350	9365	9450	9145	9206	9918	9998	9754	9636	100
	530	13281	13402	12970	13056	14065	14178	13833	13666	154

LED Specifications **ARIA-1**

ARIA 1 - POST TOP - CUTOFF LOUVER SHIELD - 3K LUMEN PER WATT CHART										
LEDS	Current(mA)	T1	T2	T3	T4	T4A	T5	T5W	T5WR	Wattage
16	350	98	91	90	89	96	99	90	90	18
	530	96	89	89	87	94	97	88	89	26
32	350	105	97	96	94	102	106	96	96	35
	530	101	94	94	92	99	103	93	94	52
48	350	104	96	96	94	101	105	95	96	53
	530	95	88	87	86	92	96	87	87	78
64	350	87	88	85	85	92	93	90	89	69
	530	81	82	79	80	86	87	85	84	105
80	350	87	88	85	86	92	93	91	90	85
	530	80	81	78	79	85	86	84	83	129
96	350	85	86	83	83	90	90	88	87	100
	530	78	78	76	76	82	83	81	80	154

ARIA 1 - POST TOP - CUTOFF LOUVER SHIELD - 4K LUMEN PER WATT CHART										
LEDS	Current(mA)	T1	T2	T3	T4	T4A	T5	T5W	T5WR	Wattage
16	350	99	92	91	90	96	100	91	91	18
	530	97	90	90	88	95	98	89	89	26
32	350	106	98	97	102	110	107	97	97	35
	530	102	95	94	93	100	104	94	94	52
48	350	105	97	97	94	102	107	96	96	53
	530	96	89	88	87	93	97	88	88	78
64	350	96	97	94	95	102	103	100	99	69
	530	90	91	88	88	95	96	94	92	105
80	350	96	97	94	95	102	103	100	99	85
	530	89	90	87	87	94	95	93	92	129
96	350	94	95	92	92	99	100	98	97	100
	530	86	87	84	85	91	92	90	89	154

ARIA 1 - POST TOP - CUTOFF LOUVER SHIELD - 5K LUMEN PER WATT CHART										
LEDS	Current(mA)	T1	T2	T3	T4	T4A	T5	T5W	T5WR	Wattage
16	350	103	96	95	93	100	105	94	95	18
	530	101	94	93	91	99	102	93	93	26
32	350	110	102	101	99	107	111	101	101	35
	530	107	99	98	96	104	108	98	98	52
48	350	110	102	101	99	107	111	100	101	53
	530	100	92	92	90	97	101	91	92	78
64	350	96	97	94	95	102	103	100	99	69
	530	90	91	88	88	95	96	94	92	105
80	350	96	97	94	95	102	103	100	99	85
	530	89	90	87	87	94	95	93	92	129
96	350	94	95	92	92	99	100	98	97	100
	530	86	87	84	85	91	92	90	89	154

ARIA-1 LED Specifications

ARIA 1 - POST TOP - CUTOFF LOUVER SHIELD - 3K BUG CHART																													
LEDS	Current(mA)	T1			T2			T3			T4			T4A			T5			T5W			T5WR			Wattage			
		B	U	G	B	U	G	B	U	G	B	U	G	B	U	G	B	U	G	B	U	G	B	U	G				
16	350	1	0	1	0	0	1	0	0	1	0	0	1	0	0	1	1	0	1	1	0	1	1	0	1	1	0	1	18
	530	1	0	1	1	0	1	1	0	1	1	0	1	0	0	1	1	0	1	1	0	1	1	0	1	1	0	1	26
32	350	1	0	1	1	0	2	1	0	1	1	0	1	1	0	1	1	0	1	1	0	1	1	0	1	1	0	1	35
	530	2	0	2	1	0	2	1	0	2	1	0	2	1	0	2	1	0	1	2	0	2	2	0	2	2	0	2	52
48	350	2	0	2	1	0	2	1	0	2	1	0	2	1	0	2	1	0	1	2	0	2	2	0	2	2	0	2	53
	530	2	0	2	1	0	2	1	0	2	1	0	2	1	0	2	2	0	2	2	0	2	2	0	2	2	0	2	78
64	350	2	0	2	1	0	2	1	0	2	1	0	2	1	0	2	2	0	1	2	0	2	2	0	2	2	0	2	69
	530	2	0	2	1	0	3	2	0	2	2	0	3	1	0	2	2	0	2	2	0	2	2	0	2	2	0	2	105
80	350	2	0	2	1	0	3	1	0	2	1	0	2	1	0	2	2	0	2	2	0	2	2	0	2	2	0	2	85
	530	3	0	3	2	0	3	2	0	3	2	0	3	1	0	2	2	0	2	3	0	3	3	0	3	3	0	3	129
96	350	2	0	2	1	0	3	2	0	2	1	0	3	1	0	2	2	0	2	2	0	2	2	0	2	2	0	2	100
	530	3	0	3	2	0	3	2	0	3	2	0	3	2	0	3	2	0	2	3	0	3	3	0	3	3	0	3	154

ARIA 1 - POST TOP - CUTOFF LOUVER SHIELD - 4K BUG CHART																													
LEDS	Current(mA)	T1			T2			T3			T4			T4A			T5			T5W			T5WR			Wattage			
		B	U	G	B	U	G	B	U	G	B	U	G	B	U	G	B	U	G	B	U	G	B	U	G				
16	350	1	0	1	0	0	1	0	0	1	0	0	1	0	0	1	1	0	1	1	0	1	1	0	1	1	0	1	18
	530	1	0	1	1	0	1	1	0	1	1	0	1	0	0	1	1	0	1	1	0	1	1	0	1	1	0	1	26
32	350	1	0	1	1	0	2	1	0	1	1	0	1	1	0	1	1	0	1	1	0	1	1	0	1	1	0	1	35
	530	2	0	2	1	0	2	1	0	2	1	0	2	1	0	2	1	0	1	2	0	2	2	0	2	2	0	2	52
48	350	2	0	2	1	0	2	1	0	2	1	0	2	1	0	2	1	0	1	2	0	2	2	0	2	2	0	2	53
	530	2	0	2	1	0	3	1	0	2	1	0	2	1	0	2	2	0	2	2	0	2	2	0	2	2	0	2	78
64	350	2	0	2	1	0	2	1	0	2	1	0	2	1	0	2	2	0	2	2	0	2	2	0	2	2	0	2	69
	530	3	0	3	2	0	3	2	0	3	2	0	3	1	0	2	2	0	2	2	0	2	3	0	3	3	0	3	105
80	350	2	0	2	1	0	3	2	0	2	1	0	2	1	0	2	2	0	2	2	0	2	2	0	2	2	0	2	85
	530	3	0	3	2	0	3	2	0	3	2	0	3	1	0	3	2	0	2	3	0	3	3	0	3	3	0	3	129
96	350	3	0	3	2	0	3	2	0	3	2	0	3	1	0	2	2	0	2	3	0	3	3	0	3	3	0	3	100
	530	3	0	3	2	0	3	2	0	3	2	0	3	2	0	3	3	0	3	3	0	3	3	0	3	3	0	3	154

ARIA 1 - POST TOP - CUTOFF LOUVER SHIELD - 5K BUG CHART																													
LEDS	Current(mA)	T1			T2			T3			T4			T4A			T5			T5W			T5WR			Wattage			
		B	U	G	B	U	G	B	U	G	B	U	G	B	U	G	B	U	G	B	U	G	B	U	G				
16	350	1	0	1	0	0	1	0	0	1	0	0	1	0	0	1	1	0	1	1	0	1	1	0	1	1	0	1	18
	530	1	0	1	1	0	1	1	0	1	1	0	1	0	0	1	1	0	1	1	0	1	1	0	1	1	0	1	26
32	350	1	0	2	1	0	2	1	0	1	1	0	1	1	0	1	1	0	1	1	0	1	1	0	1	1	0	1	35
	530	2	0	2	1	0	2	1	0	2	1	0	2	1	0	2	1	0	1	2	0	2	2	0	2	2	0	2	52
48	350	2	0	2	1	0	2	1	0	2	1	0	2	1	0	2	1	0	1	2	0	2	2	0	2	2	0	2	53
	530	2	0	2	1	0	3	1	0	2	1	0	2	1	0	2	2	0	2	2	0	2	2	0	2	2	0	2	78
64	350	2	0	2	1	0	2	1	0	2	1	0	2	1	0	2	2	0	2	2	0	2	2	0	2	2	0	2	69
	530	3	0	3	2	0	3	2	0	3	2	0	3	1	0	2	2	0	2	3	0	3	3	0	3	3	0	3	105
80	350	2	0	2	1	0	3	2	0	2	1	0	2	1	0	2	2	0	2	2	0	2	2	0	2	2	0	2	85
	530	3	0	3	2	0	3	2	0	3	2	0	3	1	0	3	2	0	2	3	0	3	3	0	3	3	0	3	129
96	350	3	0	3	2	0	3	2	0	3	2	0	3	1	0	2	2	0	2	3	0	3	3	0	3	3	0	3	100
	530	3	0	3	2	0	3	2	0	3	2	0	3	2	0	3	3	0	3	3	0	3	3	0	3	3	0	3	154

Bug Rating -

The subzones are individually rated on a scale from 0 to 5, going from lowest to highest luminous flux. The highest rating of a subzone is considered the overall rating for that zone, and these readings are compiled into the BUG lighting classification: for example, B3 U1 G0. The tables below, which are based on the standards established by the IES, show the thresholds for each subzone.

