

# PGR-1 LED Specifications



Project Name:

Catalog Number:

Type:

The **PGR-1 LED** luminaire from Visionaire incorporates our single chip LED technology; while maintaining a traditional architectural fixture form factor. The LEDs performance and life are maximized by the unique integral aluminum heat sink. It is an ideal retrofit for the high-maintenance HID fixtures of yesterday.

The LED housing is heavy duty spun aluminum with either 16, 32 or 48 LEDs. Mounting options include Universal Bolt On Arm, Yoke Mount, Knuckle Mount or Wall Mount. The Universal Bolt on Arm is available with a Quick Mount Pole Adaptor for retrofitting existing poles.

Seven optical distribution patterns are available. Choose between 3000, 4000 or 5000 Kelvin temperature of the LEDs.

A durable polyester powder coat finish is guaranteed for five years and is available in standard or custom colors.

The **PGR-1 LED** series is an exceptional choice for universities, shopping centers, parks and recreational areas and general site lighting.

## Ordering Information

MODEL	OPTICS	LEDs	CURRENT	KELVIN	VOLTAGE	MOUNTING	FINISH	OPTIONS	OPTIONS
<b>PGR-1</b>	<b>T1</b> Type 1	<b>16LC</b>	<b>3</b> 350mA	<b>3K</b> 3000K	<b>UNV</b> 120-277V	<b>AM</b> Arm Mount	<b>BZ</b> Bronze	<b>PCR-120</b>	<b>DIM</b> 0-10v Dimming Driver
	<b>T2</b> Type 2	<b>32LC</b>	<b>5</b> 530mA	<b>4K</b> 4000K	<b>8</b> 347V	<b>YM</b> Yoke Mount *Slips over 2 3/8" tenon	<b>BK</b> Black	<b>PCR-208</b>	<b>VWC</b> Visionaire Wireless Controls Consult Factory
	<b>T3</b> Type 3	<b>48LC</b>	<b>7</b> 700mA	<b>5K</b> 5000K	<b>5</b> 480V	<b>SBK</b> Smooth Black	<b>WH</b> White	<b>PCR-240</b>	<b>RPP</b> Round Pole Plate Adaptor
	<b>T4</b> Type 4					<b>WM</b> Wall Mount	<b>SWH</b> Smooth White	<b>PCR-277</b>	<b>ROT-R</b> Rotated Optics Right Side
	<b>T4A</b> Type 4 Automotive					<b>KM</b> Knuckle Mount	<b>GP</b> Graphite	<b>PCR-347</b>	<b>ROT-L</b> Rotated Optics Left Side
	<b>T5</b> Type 5					<b>UBOA</b> Universal Bolt-On Arm	<b>GY</b> Grey	<b>PCR-480</b> Photocell & Receptacle	<b>CLS</b> Back Side Cutoff Louver Shield
	<b>T5W</b> Type 5 Wide					*Round Pole Plate Adaptors (RPP) are to be ordered separately.	<b>SL</b> Silver Metallic	<b>PER</b>	<b>CLC</b> Motion Sensor 8' Mounting Height
	<b>T5WR</b> Type 5 Wide Round						<b>CC</b> Custom Color	<b>5PINPER</b>	<b>WSC-8</b> Motion Sensor 8' Mounting Height
								<b>7PINPER</b> 3, 5, or 7 Pin Photo Receptacle w/shorting cap Requires Dimming Driver	<b>WSC-20</b> Motion Sensor 9-20' Mounting Height
									<b>WSC-40</b> Motion Sensor 21-40' Mounting Height

The WSC options will require (1) FSIR 100 remote for programing

# Features & Specifications

# PGR-1

## Housing

Heavy duty spun aluminum housing with internal heat sink for maximum heat dissipation. Silicone gasket is used for weather tight operation.

## Mounting

Universal Bolt On Arm - A pre-attached aluminum arm (UBOA) is supplied along with a Universal Quick Mount pole adaptor for fast and easy attachment to the pole.

Yoke Mount - A post adaptor fits over a vertical 2 3/8" tenon secured with stainless steel hardware.

Spider Mount - A post adaptor fits over a vertical 2 3/8" tenon secured with stainless steel hardware.

Knuckle Mount - An adjustable knuckle slip fits over a 2-3/8" Tenon, and allows for up to 90 degrees of vertical adjustment in 10° increments from horizontal.

Wall Mount - Bolt-on arm wall plate

## Thermal Management

The PGR-1 series provides excellent thermal management by mounting the LEDs to the substantial heat sink within the housing. This enables the Luminaire to withstand higher ambient temperatures and driver currents without degrading LED life.

## Optical System

The highest lumen output LEDs are utilized. High-performance acrylic optics feature industry leading Type I, II, III, IV and V optical distributions. Acrylic optics are impact-resistant and rated to 94 percent translucence.

L70 life of our LEDs is rated over 100,000 hours (for 700 mA). The optical system qualifies as IES full cutoff to restrict light trespass, glare and light pollution for neighborhood-friendly lighting.

CRI values are 70.

## Quali-Guard® Finish

The finish is a Quali-Guard® textured, chemically pretreated through a multiple-stage washer, electrostatically applied, thermoset polyester powder coat finish, with a minimum of 3-5 millimeter thickness. Finish is

## Electrical Assembly

The PGR-1 LED series is supplied with a choice of 350, 530 or 700 mA high-performance LED drivers that accept 120v thru 480v, 50 Hz to 60 Hz, input.

- Power factor of 90%.
- Rated for -40°C operations.
- 10kV Surge Protector supplied as standard.
- THD less than or equal to 20%

## Warranty

• Five (5) year Limited Warranty on electrical components, Five (5) year on finish. For full warranty information, please visit [www.visionairelighting.com](http://www.visionairelighting.com).

## Options

- Photocell & Receptacle
- Photocell Receptacle
- Motion Sensor/Control Watt Stopper FSP-211
- 0-10 Volt Dimming Driver
- Emergency Battery Pack
- Wireless Controls
- Round Pole Plate Adapter
- Rotated Optics
- Cutoff Louver Shield

## Listings

- PGR-1 is cUL listed, suitable for wet locations.
- IP65 Rated
- Powder Coated Tough
- IDA Certification



3000K must be selected for IDA certification.  
Fixed mount must be selected for IDA dark sky certification.














**Motion Sensor Default Setting**

FSP - 211	High Mode	Low Mode	Time Delay	Cut Off Delay	Sensitivity	Hold Off Setpoint	Photocell On/Off	Ramp Up Time	Fade Down Time
<b>WSC - Default</b>	10V	1V	5 Minutes	1 Hour	Max	Disabled	Disabled	Disabled	Disabled
<b>WSC Range</b>	0-10V	0-9.8V	5-30 Minutes	1-5 Hours	Low, Med, Max	1-250FC	1-250FC	1-60 Dec	1-60 Dec

\* Settings can be field modified with the FSIR-100 Programming remote

# PGR-1 LED Specifications

## Photometric Optical Summary

T1 Type 1	T2 Type 2	T3 Type 3	T4 Type 4	T5 Type 5	T5W Type 5 Wide	T5WR Type 5 Wide Round
						
<b>EPA Data</b>	 0.70	 1.08	 1.4	 1.56	 1.78	 1.56

## Dimensions

### Universal Bolt-On Arm

<b>Width:</b>	PGR-1 16"
<b>Depth:</b>	PGR-1 5.0"
<b>Height:</b>	PGR-1 5.0"
<b>Overall Height:</b>	PGR-1 0.0"
<b>Weight:</b>	20 LBS

### Yoke Mount

<b>Width:</b>	PGR-1 16"
<b>Depth:</b>	PGR-1 5.0"
<b>Height:</b>	PGR-1 5.0"
<b>Overall Height:</b>	PGR-1 0.0"
<b>Weight:</b>	20 LBS

### Knuckle Mount

<b>Width:</b>	PGR-1 16"
<b>Depth:</b>	PGR-1 5.0"
<b>Height:</b>	PGR-1 5.0"
<b>Overall Height:</b>	PGR-1 0.0"
<b>Weight:</b>	20 LBS

### Wall Mount

<b>Width:</b>	PGR-1 16"
<b>Depth:</b>	PGR-1 5.0"
<b>Height:</b>	PGR-1 5.0"
<b>Overall Height:</b>	PGR-1 0.0"
<b>Weight:</b>	20 LBS

<b>3K Lumen Data</b>									
<b>LEDS</b>	<b>mA</b>	<b>T1</b>	<b>T2</b>	<b>T3</b>	<b>T4</b>	<b>T5</b>	<b>T5W</b>	<b>T5WR</b>	<b>Watts</b>
<b>16</b>	<b>350</b>	2250	2081	2073	2032	2277	2056	2073	18
	<b>530</b>	3239	2997	2986	2926	3279	2961	2986	26
	<b>700</b>	4273	3954	4180	3860	4169	3906	3939	37
<b>32</b>	<b>350</b>	4761	4405	4388	4300	4819	4352	4388	35
	<b>530</b>	6817	6308	6283	6158	6900	6231	6284	52
	<b>700</b>	8619	7975	7944	7785	8723	7878	7944	71
<b>48</b>	<b>350</b>	7136	6603	6577	6446	7223	6523	6577	53
	<b>530</b>	9566	8851	8817	8641	9682	8744	8817	78
	<b>700</b>	12850	11890	11843	11607	13006	11745	11844	107
<b>4K Lumen Data</b>									
<b>16</b>	<b>350</b>	2368	2191	2183	2126	2397	2164	2183	18
	<b>530</b>	3410	3155	3143	3080	3451	3117	3143	26
	<b>700</b>	4498	4162	4400	4063	4388	4112	4146	37
<b>32</b>	<b>350</b>	5011	4637	4619	4527	5072	4581	4619	35
	<b>530</b>	7176	6640	6614	6482	7263	6559	6614	52
	<b>700</b>	9072	8394	8362	8195	9182	8292	8362	71
<b>48</b>	<b>350</b>	7512	6950	6923	6785	7603	6866	6924	53
	<b>530</b>	10070	9317	9281	9096	10192	9204	9281	78
	<b>700</b>	13526	12515	12467	12218	13690	12364	12467	107
<b>5K Lumen Data</b>									
<b>16</b>	<b>350</b>	2272	2102	2094	2053	2300	2077	2079	18
	<b>530</b>	3272	3028	3016	2956	3312	2991	2993	26
	<b>700</b>	4316	3994	4222	3899	4211	3945	3949	37
<b>32</b>	<b>350</b>	4809	4450	4432	4649	4867	4396	4399	35
	<b>530</b>	6886	6372	6347	6220	6970	6294	6299	52
	<b>700</b>	8706	8055	8024	7864	8811	7957	7964	71
<b>48</b>	<b>350</b>	7208	6670	6644	6452	7296	6589	6594	53
	<b>530</b>	9663	8941	8906	8728	9780	8832	8839	78
	<b>700</b>	12980	12010	11963	11724	13137	11864	11873	107

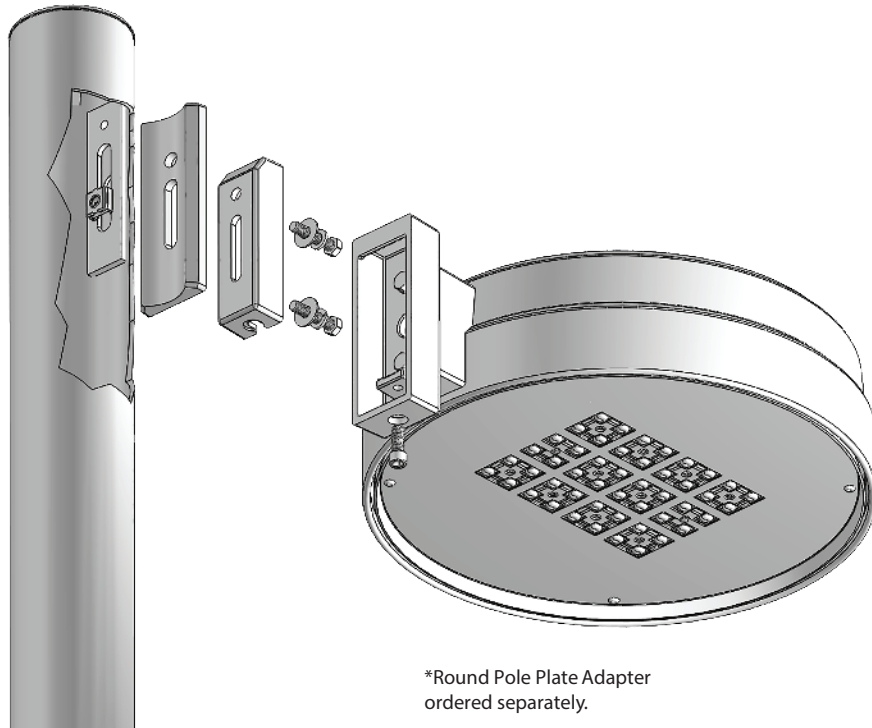
# PGR-1 LED Specifications

3K LPW Data									
LEDS	mA	T1	T2	T3	T4	T5	T5W	T5WR	Watts
16	350	127	117	117	115	128	116	117	18
	530	124	115	115	112	126	114	115	26
	700	116	108	114	105	114	106	107	37
32	350	135	125	125	122	137	124	125	35
	530	131	121	121	118	133	120	121	52
	700	121	112	112	110	123	111	112	71
48	350	135	125	124	122	136	123	124	53
	530	123	113	113	111	124	112	113	78
	700	120	111	111	108	122	110	111	107
4K LPW Data									
16	350	133	124	123	120	135	122	123	18
	530	131	121	121	118	132	120	121	26
	700	123	113	120	111	120	112	113	37
32	350	142	132	131	128	144	130	131	35
	530	138	128	127	125	140	126	127	52
	700	128	118	118	115	129	117	118	71
48	350	142	131	131	128	143	130	131	53
	530	129	119	119	117	131	118	119	78
	700	126	117	117	114	128	116	117	107
5K LPW Data									
16	350	128	119	118	116	130	117	117	18
	530	126	116	116	113	127	115	115	26
	700	118	109	115	106	115	108	108	37
32	350	137	126	126	132	138	125	125	35
	530	132	123	122	120	134	121	121	52
	700	123	113	113	111	124	112	112	71
48	350	136	126	125	122	138	124	124	53
	530	124	115	114	112	125	113	113	78
	700	121	112	112	110	123	111	111	107

3K BUG Data																							
LEDS	mA	T1			T2			T3			T4			T5			T5W			T5WR			Watts
		B	U	G	B	U	G	B	U	G	B	U	G	B	U	G	B	U	G	B	U	G	
16	350	1	0	1	1	0	1	0	0	1	1	0	1	1	0	0	2	0	1				18
	530	2	0	2	1	0	1	1	0	1	1	0	1	2	0	0	2	0	1				26
	700	2	0	2	1	0	2	1	0	1	1	0	1	2	0	1	2	0	1				37
32	350	3	0	3	2	0	2	1	0	2	1	0	2	3	0	1	3	0	1				35
	530	3	0	3	2	0	2	1	0	2	1	0	2	3	0	1	3	0	1				52
	700	3	0	3	2	0	2	1	0	2	2	0	2	3	0	1	3	0	2				71
48	350	3	0	3	2	0	2	1	0	2	2	0	2	3	0	1	3	0	1				53
	530	3	0	3	2	0	3	1	0	2	2	0	2	3	0	1	3	0	2				78
	700	3	0	3	3	0	3	2	0	2	2	0	2	3	0	2	4	0	2				107
4K BUG Data																							
16	350	1	0	1	1	0	1	0	0	1	1	0	1	1	0	0	2	0	1				18
	530	2	0	2	1	0	1	1	0	1	1	0	1	2	0	0	2	0	1				26
	700	2	0	2	1	0	2	1	0	1	1	0	1	2	0	1	3	0	1				37
32	350	3	0	3	2	0	2	1	0	2	1	0	2	3	0	1	3	0	1				35
	530	3	0	3	2	0	2	1	0	2	2	0	2	3	0	1	3	0	1				52
	700	3	0	3	2	0	2	1	0	2	2	0	2	3	0	1	3	0	2				71
48	350	3	0	3	2	0	2	1	0	2	2	0	2	3	0	1	3	0	1				53
	530	3	0	3	2	0	3	1	0	2	2	0	2	3	0	1	3	0	2				78
	700	3	0	3	3	0	3	2	0	2	2	0	2	3	0	2	4	0	2				107
5K BUG Data																							
16	350	1	0	1	1	0	1	0	0	1	1	0	1	1	0	0	2	0	1				18
	530	2	0	2	1	0	1	1	0	1	1	0	1	2	0	0	2	0	1				26
	700	2	0	2	1	0	2	1	0	1	1	0	1	2	0	1	2	0	1				37
32	350	2	0	2	1	0	2	1	0	1	1	0	1	2	0	1	3	0	1				35
	530	3	0	3	2	0	2	1	0	2	1	0	2	3	0	1	3	0	1				52
	700	3	0	3	2	0	2	1	0	2	2	0	2	3	0	1	3	0	2				71
48	350	3	0	3	2	0	2	1	0	2	2	0	2	3	0	1	3	0	1				53
	530	3	0	3	2	0	3	1	0	2	2	0	2	3	0	1	3	0	2				78
	700	3	0	3	3	0	3	2	0	2	2	0	2	3	0	2	4	0	2				107

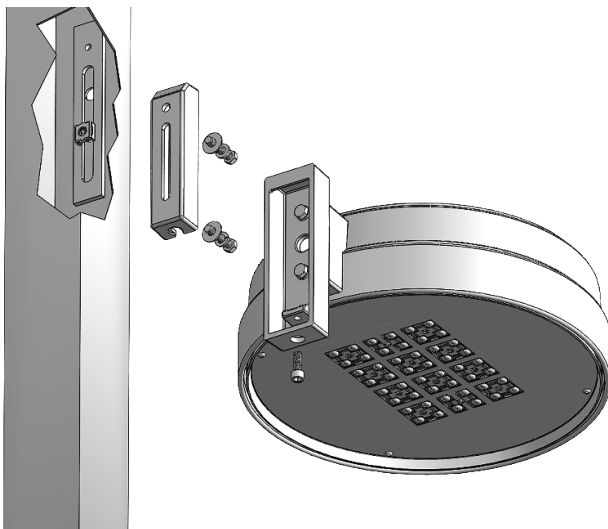
# PGR-1 LED Specifications

## Arm Mount Assembly Drawing



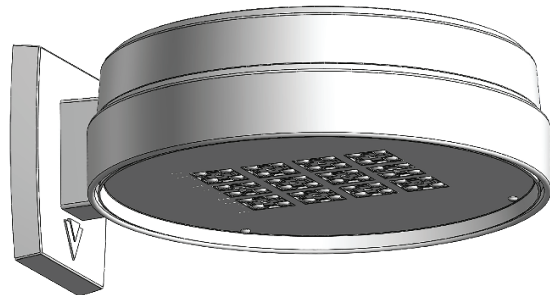
\*Round Pole Plate Adapter ordered separately.

## PGR UBOA Assembly Drawing

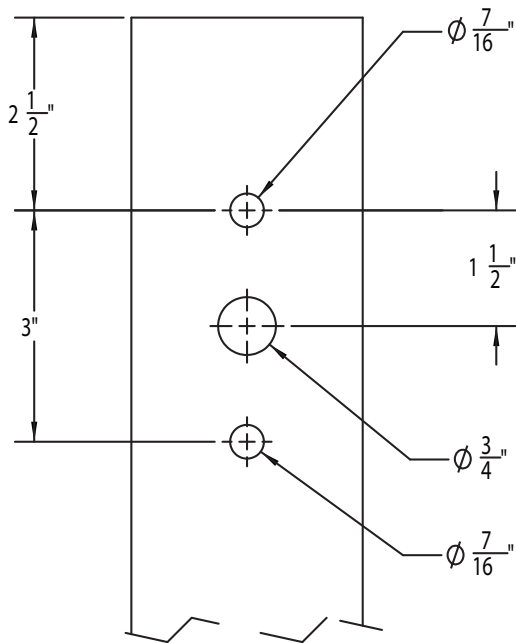


\*Round Pole Plate Adapter ordered separately.

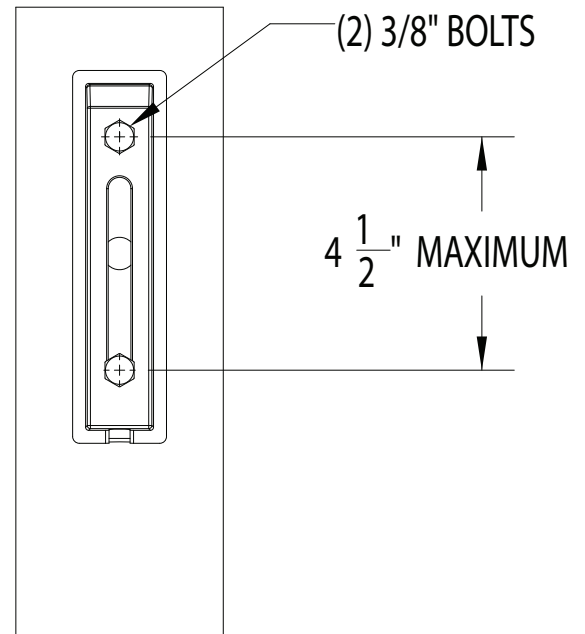
## PGR Wall Mount Drawing



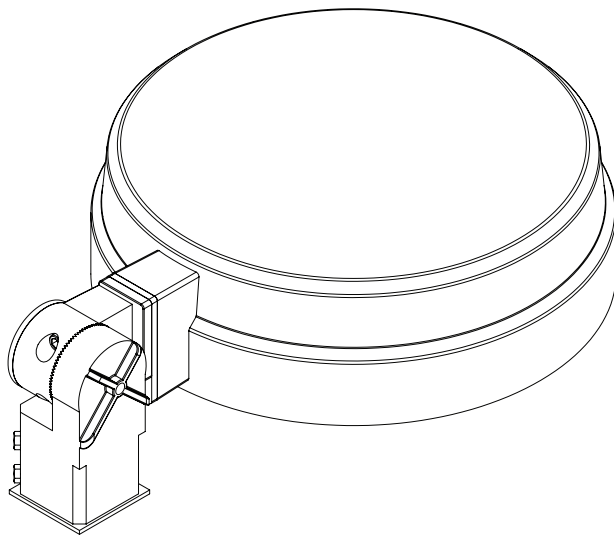
### Arm Mount Drill Diagram



### UBOA Drill Diagram



### PGR Knuckle Mount Drawing



### Yoke Mount Drawing

