

EDS-2 INSTALLATION INSTRUCTION

All installation work must be performed by a qualified, certified electrician.

Caution! Disconnect all power before installation.

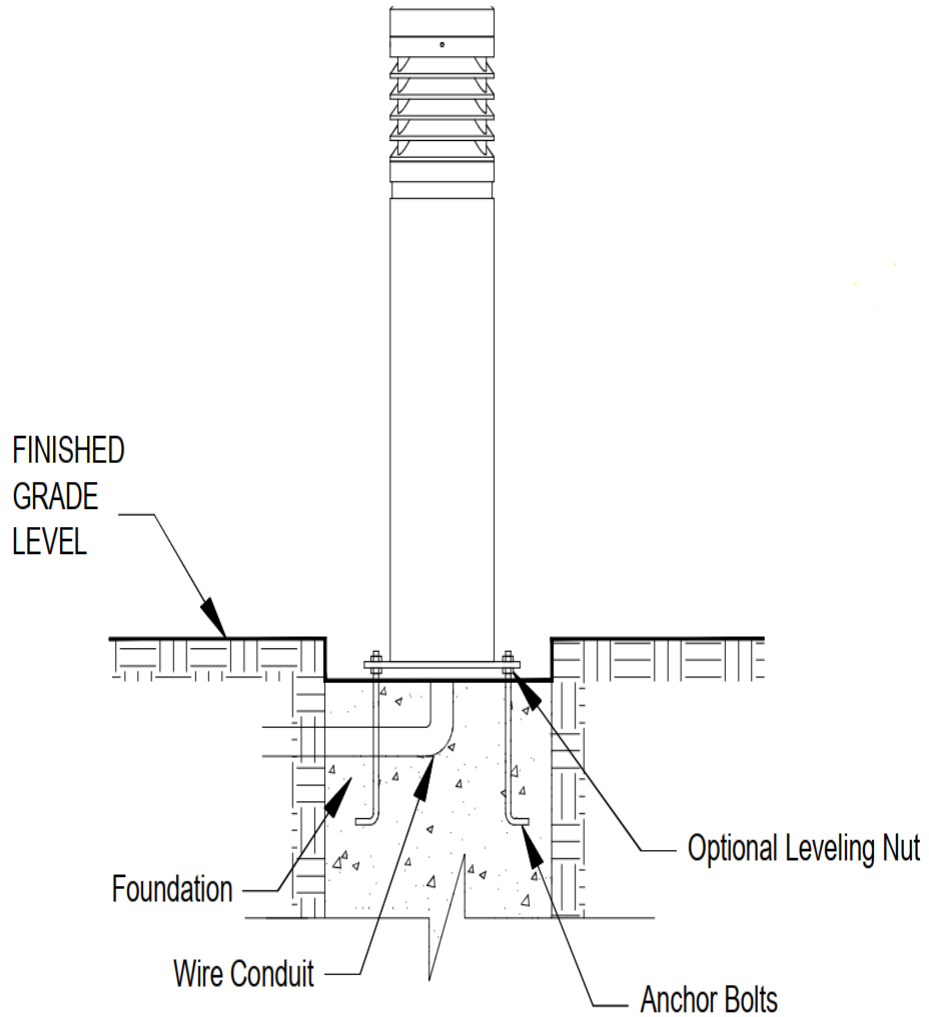
1
Set anchor bolts into foundation using the same bolt pattern as the bollard base.

2
Install contractor supplied wire conduit to feed wires to the bottom of bollard.

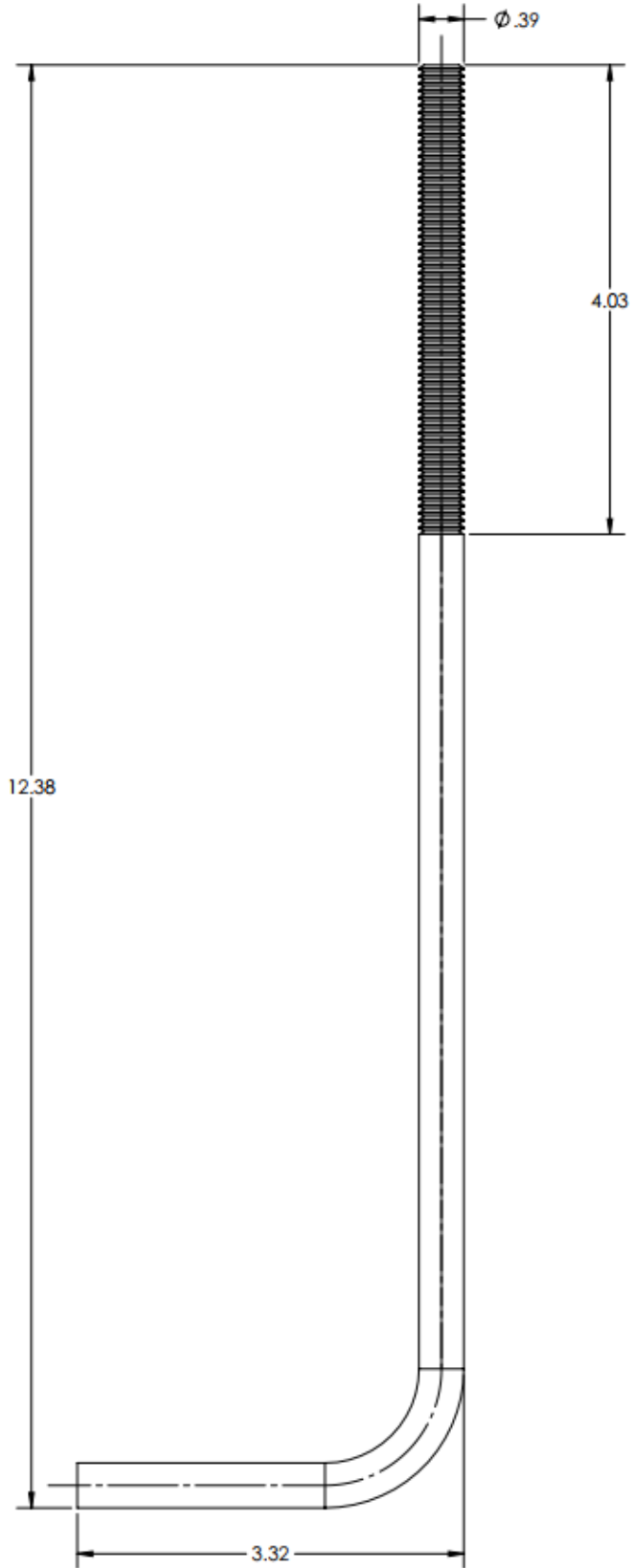
3
Once foundation is set, connect wires to the bollard before securing bollard.

4
Base can be installed flush against foundation or using optional leveling nut.

5
Align holes on base of bollard to the anchor bolts in foundation.



3/8" X 12" LG X 3" HOOK STEEL GALVANIZED ANCHOR BOLTS



align and secure bollard to seating.

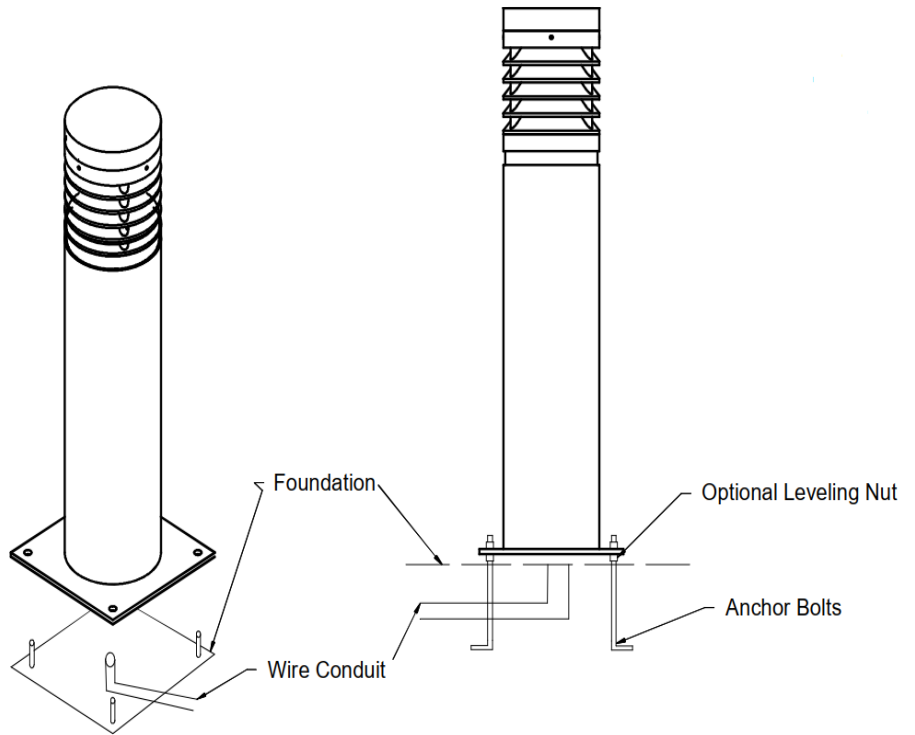
6

Add washers, nuts, and tighten evenly.
(If using leveling nut, level before tightening)

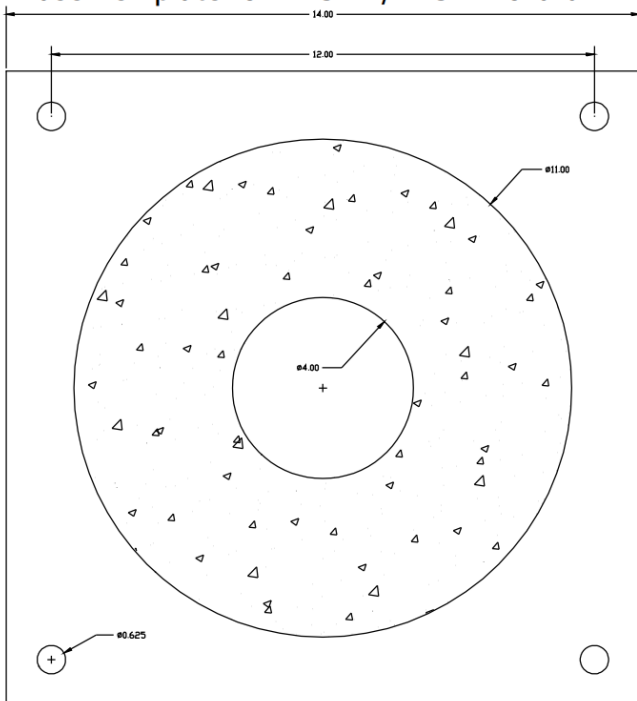
7

align and secure bollard to seating.

8

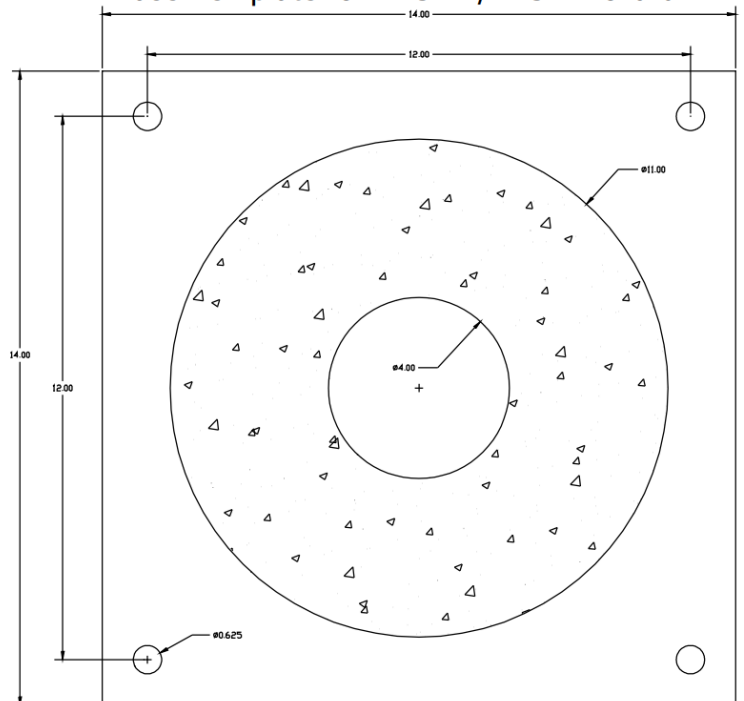


Base Template for EDS-1B/EDS-2 Bollard



P/N: DIR0027

Base Template for EDS-1B/EDS-2 Bollard



P/N: DIR0027