

PRE-2-L Serenity Lens LED Specifications



Project Name:

Catalog Number:

Type:

Contemporary design meets the new generation of LED green technology in this stunning luminaire, the **PRE-2-L Serenity Lens**. The PRE-2-L Serenity Lens Array series provides up to fifty percent energy savings over traditional HID light sources; and offers excellent beam control and LED life beyond 100,000 hours. The PRE-2-L Array is offered in five optical distributions.

The PRE-2-L Serenity Lens Arrays fully-sealed housing features an exceptionally well-designed thermal management system that provides superior heat dissipation.

The PRE-2-L Serenity Lens fixture is built with a cast aluminum housing, extruded aluminum arms and a spun aluminum, removable top.

The popular **PRE-2-L Serenity Lens** is the perfect compliment to any university campus, business park, or walkway project where contemporary, architectural design is desired.

Ordering Information

MODEL	OPTICS	LUMENS	KELVIN	VOLTAGE	MOUNTING	FINISH	OPTIONS	OPTIONS
PRE-2-L	T1	6L	3K	UNV	PT	BZ	LDL	PC-120
	T2	8L	3000K	120-277V	Post Top *Slips over 4"	Bronze	Lightly Diffused Lens	PC-208
	T3L	10L	4K	8	OD	BK	HDL	PC-240
	T4L	12L	4000K	347V	tenon X 4.5" tall as standard	Black	Lightly Diffused Lens	PC-277
	T5LS	14L	5K	5		SBK		Button Type Photocell
			5000K	480V		Smooth Black		WSC-8
						WH		Motion Sensor 8' Mounting Height
						SWH		WSC-20
						Smooth White		Motion Sensor 9-20' Mounting Height
						GP		WSC-40
						Graphite		Motion Sensor 21-40' Mounting Height
						GY		*The WSC option will require (1) FSIR 100 remote for programming
						SL		
						Silver Metallic		
						CC		DIM
						Custom Color		0-10v Dimming Driver
								VWC
								Visionaire Wireless Controls *Consult Factory
								IR-(R, B, G)
								Illuminated Rings (Red, Blue, Green)

Features & Specifications

PRE-2-L Serenity Lens

Housing

The PRE-2-L Serenity Lens' housing is constructed from durable, corrosion-resistant, cast aluminum. The spun aluminum top cap is .080 gauge, and easily removable for service. Silicone gasketing is provided for complete weather and insect protection.

Thermal Management

The PRE-2-L Serenity Lens provides excellent overall thermal management by maximizing the efficiency of the heat sink in the fixture. This enables the Premier II to withstand higher ambient temperatures and higher drive currents without degrading LED life.

Optical System

The highest lumen output LEDs are utilized. High-performance acrylic optics feature industry leading Type I, II, III, IV, and VLS optical distributions. Acrylic optics are impact-resistant and rated to 94 percent translucence.

L70 life of our LEDs is rated over 100,000 hours (for 350 mA), The optical system qualifies as IES full cutoff to restrict light trespass, glare and light pollution for neighborhood-friendly lighting. CRI values are 70.

Quali-Guard® Finish

Fixture components are chemically pretreated through a multiple-stage washer, and finished with an electrostatically-applied, thermoset polyester powder coat textured paint with a 3 to 5 mils thickness. Finish is oven-baked at 400 °F for maximum adherence and finish hardness. Available in standard and custom colors. Finish is guaranteed for five (5) years.

Post Top Mount

The PRE-2-L Serenity Lens' contractor-friendly mounting hardware slips over 3" or 4" O.D. x 4" tall tenon utilizing stainless steel hardware. Round Internal Tenon Adaptors (RITA) are recommended for a smooth-looking connection. Standard for 4" poles, custom size required for 3" or 5" poles.

Electrical Assembly

The PRE-2-L Serenity Lens is supplied with a high-performance driver available in 350, 530 or 700mA. The driver is integrally-located in the housing, and is operational from 120 V through 480 V, 50 Hz to 60 Hz input. Power factor is 90%. Rated for -40o to 50°C operation. 10 kV surge protector supplied as standard.

Warranty

Five (5) year Limited Warranty on entire system, including finish. For full warranty information, please visit www.visionairelighting.com.

Options

- Button type photocell
 - 0-10v Dimming Driver
 - WattStopper FSP-211
 - Motion Sensor
 - Wireless Control
 - Illuminated Ring
- Please consult factory for detailed custom options.

Listings

- PRE-2-L Serenity Lens is cUL listed
- DLC Listed
- IDA Certification
- IP66 Rated
- LM79 and LM80
- Powder Coated Tough™



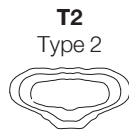
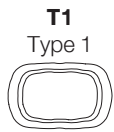
DesignLights Consortium (DLC) qualified Product. Some configurations of this product family may not be DesignLights Consortium (DLC) listed, please refer to the DLC qualified products list to confirm listed configurations. <http://www.designlights.org/>
3000K must be selected for IDA certification.

PRE-2-L Serenity Lens - Electrical Load (A)

Ordering Nomenclature	System Watts	120V	208V	240V	277V	347V	480V
PRE-2-L-T5LS-6L	85	0.71	0.41	0.35	0.31	0.24	0.18
PRE-2-L-T5LS-8L	111	0.93	0.53	0.46	0.40	0.32	0.23
PRE-2-L-T5LS-10L	139	1.16	0.67	0.58	0.50	0.40	0.29
PRE-2-L-T5LS-12L	165	1.38	0.79	0.69	0.60	0.48	0.34
PRE-2-L-T5LS-14L	193	1.61	0.93	0.80	0.70	0.56	0.40

PRE-2-L Serenity Lens LED Specifications

Photometric Optical Summary



EPA Data



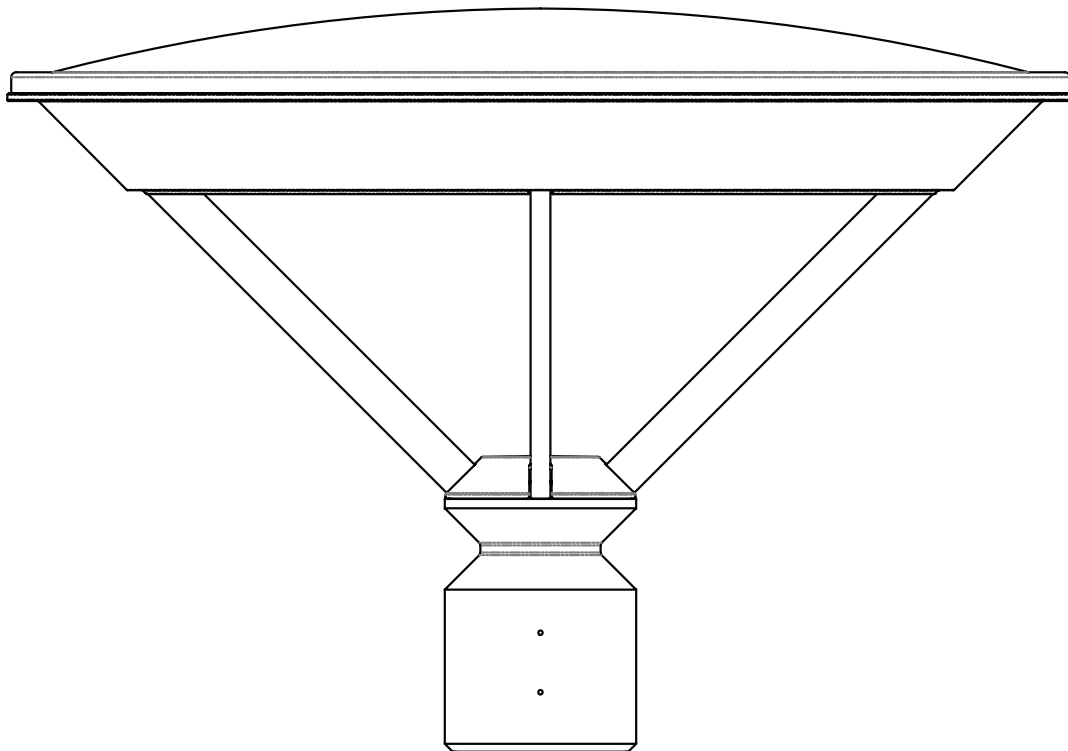
1.2

Dimensions

Width: PRE-2-L 27"

Height: PRE-2-L 19"

Weight: 56 LBS



Motion Sensor Default Setting

Type	High Mode	Low Mode	Time Delay	Cut off Delay	Sensitivity	Hold Off Set Point	Photocell On/Off	Ramp up Time	Fade Down Time
WSC- Default	10V	1V	5 Min	1 Hour	Max	Disabled	Disabled	Disabled	Disabled
WSC Range	0-10V	0-9.8V	5-30 Min	1-5 Hours	Low, Med, Max	1-250FC	1-250FC	1-60 Dec	1-60 Dec

