

Mounting Arms

SMAF

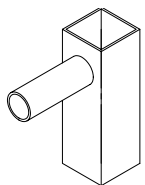
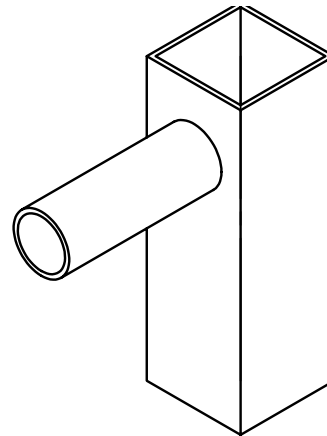
Project Name:

Catalog Number:

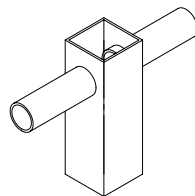
Type:

SMAF adaptors are constructed of 11-gauge square steel tubing with horizontal 2" diameter, 6" long tenons. Designed to slip-fit over 4" square, 4.5" or 5" square poles or tenons and attach with " stainless steel Allen head set screws. Available in Single, Double 180°, Double 90°, Triple 90° and Quad configurations. Please consult factory for custom configuration or mounting options.

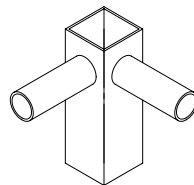
MODEL	MOUNTING	FINISH
SMAF-S1	4	GY
SMAF-D2	4" x 4"	Grey
SMAF-D9	4.5	SL
SMAF-T9	4.5" x 4.5"	Silver Metallic
SMAF-QD	5	BK
	5" x 5"	Black
		SBK
		Smooth Black
		WH
		White
		SWH
		Smooth White
		BZ
		Bronze
		GP
		Graphite
		CC
		Custom Color



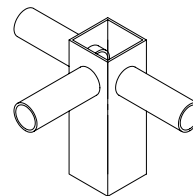
SMAF-S1



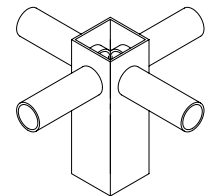
SMAF-D2



SMAF-D9



SMAF-T9



SMAF-QD



SMAF-S1



SMAF-D2



SMAF-D9



SMAF-T9



SMAF-QD

EPA WEIGHT

1.4
15

1.7
17

1.4
17

1.7
19

1.8
21