

RLX-1 ARRAY LED Specifications



Project Name:

Catalog Number:

Type:

The **RLX-1 Array** series improves on the classic "Cobrahead" luminaire design by introducing the next generation of LED green technology with energy savings of up to fifty percent over traditional light sources, and LED lamp life well beyond 10 years of operations.

The **RLX-1 Array** housing and door are die cast aluminum with integral heat sink, making the entire housing part of the thermal management solution for long life of the LEDs and driver(s).

The fixture is easily and securely mounted with four bolt mounting to 1 1/4" to 2 3/8" diameter mast arms and supplied with a terminal block for easy power connection and a universal bubble level for ease of leveling.

A 10 kV surge protector is supplied as standard. Maintenance, when required, is tool-less; with stainless steel pinch latches; accessing a removable power tray door holding the LED driver. LEDs and driver compartment are both IP65 rated.

Choose from 48 to 80 LED Arrays with multiple drive currents of 350, 530, 700, 1000, 1200 or 1400mA; 3000, 4000 or 5000 Kelvin, and ten (10) optical distribution patterns for complete design flexibility for street and roadway lighting.

Consider the **RLX-1 Array** series, the new standard for roadway and street lighting, bringing LED technology with long life and low maintenance to your world.

Ordering Information

| MODEL | OPTICS | LUMENS | KELVIN | VOLTAGE | MOUNTING | FINISH | OPTIONS | OPTIONS |
|--------------|--------------------------------------|------------|--------------------|------------------------|-------------------------------|------------------------------|---|--|
| RLX-1 | T1 Type 1 | 15L | 3K 3000K | UNV 120-277V | MAF Mast Arm Fitter | BZ Bronze | PCR-120 Photocell & Receptacle | ROT-R Rotated Optics Right Side |
| | T2 Type 2 | 20L | 4K 4000K | 8 347V | | BK Black | PCR-208 Photocell & Receptacle | ROT-L Rotated Optics Left Side |
| | T3 Type 3 | 25L | 5K 5000K | 5 480V | | SBK Smooth Black | PCR-240 Photocell & Receptacle | CLS Back Side Cutoff Louver Shield |
| | T3L Type 3 Long | 30L | | | | WH White | PCR-277 Photocell & Receptacle | UMAP Universal Mast Arm Fitter |
| | T4 Type 4 | 35L | | | | SWH Smooth White | PCR-347 Photocell & Receptacle | 20kV 20 kV Surge Protection |
| | T4L Type 4 Long | 40L | | | | GP Graphite | PCR-480 Photocell & Receptacle | DIM 0-10v Dimming Driver |
| | T4A Type 4 Automotive | 45L | | | | GY Grey | PER 3 Pin Photo Receptacle w/shorting cap | VWC Visionaire Wireless Controls Consult Factory |
| | T5SR Type 5 Short Round | | | | | SL Silver Metallic | 5PINPER 5 Pin Photo Receptacle w/shorting cap Requires Dimming Driver | UWL Utility Wattage Label |
| | T5LR Type 5 Long Round | | | | | CC Custom Color | 7PINPER 7 Pin Photo Receptacle w/shorting cap Requires Dimming Driver | FAW Field Adjustable Wattage |
| | T5LS Type 5 Long Square | | | | | | | |

Features & Specifications

RLX-1 ARRAY

Housing

The RLX-1 Array housing is constructed from durable, corrosion resistant, die cast aluminum. The integral heat sink is cast as part of the fixture housing. The electrical compartment is separated from the LED array/heat sink structure, and sealed allowing for IP 66 rating of the complete fixture. A molded silicone grommet seals the incoming power leads. Supplied with a bubble level for ease of mounting alignment, and a terminal block for easy power connection.

Door Assembly

The removable die cast aluminum door assembly is sealed with a one-piece silicone gasket. Access to the electrical compartment is tool-less, with sealed, stainless steel pinch latches, making the Roadway LX Array very user friendly. The LED driver(s) are mounted directly to the door assembly, and supplied with quick disconnects for ease of installation and maintenance.

Thermal Management

The housing includes the integral heat sink making the entire housing part of the thermal management solution. The RLX-3 Array is suitable for higher ambient temperatures and drive currents without degrading lamp life.

- Calculated L70 Hours > 125,000 Hours
- L70 Per TM-21 >60,000 Hours
- Lumen Maintenance % at 100,000 hours >92%

Optical System

The highest lumen output LEDs are utilized in the RLX-1 Array series. The Type 3 injection molded Roadway optic is designed specifically for roadway applications. Additional distribution types include Types I, II, III, IV IVA, VS and VL. The optical system qualifies at IES full cutoff to restrict light trespass, glare and light pollution for neighborhood friendly lighting.

CRI values are 70. RLX-1 Array fixture is tested in accordance with IESNA LM-79 testing procedures.

New LED Array Technology

- 4 Diodes now replace a single Led chip and operate at 25% of the drive current allowing for higher efficiency, less heat and longer life. (10 Year Warranty)
- More LEDs at a lower drive current provides a more comfortable visual effect.

Quali-Guard Finish

Fixture components are chemically pretreated through a multi stage wash system. The finish is an electrostatically applied, thermoset super polyester powder coat paint which is oven-baked at 400 °F for maximum adherence and finish hardness. Available in Silver Metallic finish and custom colors. The finish is guaranteed for five (5) years.

- Salt spray test per ASTM B1117 Standard for 3,000 hours

Mounting

The RLX-1 Array slip fits directly on to roadway mast arms and horizontal tenons with an outside diameter ranging from 1 1/4" to 2 3/8" and is adjustable in three incremental positions (0°, 2 1/2° and 5°). An internal four-bolt clamp bracket attaches the fixture securely to the mounting arm with four stainless steel bolts.

Electrical Assembly

- The RLX-1 Array Series is supplied with a choice of 350 to 1400 mA high-performance LED drivers that accept 120 V thru 480 V, 50 Hz to 60 Hz, input. Power factor of 95%. Rated for 40°C to -40 °C operations.
- 10 kV surge protector supplied as standard.

Warranty

- Ten (10) year Limited Warranty on electrical components, Five (5) year on finish. For full warranty information, please visit visionairelighting.com.

Options

- Photocell & Receptacle
- Photocell receptacle w/shorting cap
- Utility wattage label
- Dimming/Controls
- 0-10 V dimming driver
- Rotated Optics
- Universal Mast Arm Fitter
- 20 kV Surge protection

Listings

- RLX-1 Series is cUL listed, suitable for wet locations.
- LM79 and LM80.
- Meets ANSI C136.31-2001 3G vibration standards.
- RoHS compliant.
- IP66 listed
- DLC Listed
- Powder Coated Tough™.



3000K must be selected for IDA certification.

| RLX-1 ARRAY - Electrical Load (A) | | | | | | | |
|-----------------------------------|--------------|------|------|------|------|------|------|
| Ordering Nomenclature | System Watts | 120 | 208 | 240 | 277 | 347 | 480 |
| RLX-1-TX-15L-4K-UNV | 114 | 0.95 | 0.55 | 0.48 | 0.41 | 0.33 | 0.24 |
| RLX-1-TX-20L-4K-UNV | 149 | 1.24 | 0.72 | 0.62 | 0.54 | 0.43 | 0.31 |
| RLX-1-TX-25L-4K-UNV | 172 | 1.43 | 0.83 | 0.72 | 0.62 | 0.50 | 0.36 |
| RLX-1-TX-30L-4K-UNV | 230 | 1.92 | 1.11 | 0.96 | 0.83 | 0.66 | 0.48 |
| RLX-1-TX-35L-4K-UNV | 241 | 2.01 | 1.16 | 1.00 | 0.87 | 0.69 | 0.50 |
| RLX-1-TX-40L-4K-UNV | 276 | 2.30 | 1.33 | 1.15 | 1.00 | 0.80 | 0.58 |
| RLX-1-TX-45L-4K-UNV | 370 | 3.08 | 1.78 | 1.54 | 1.34 | 1.07 | 0.77 |

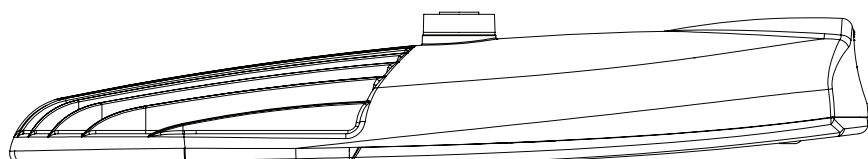
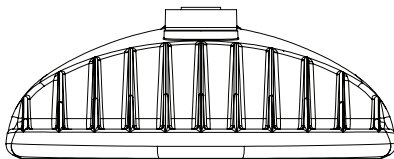
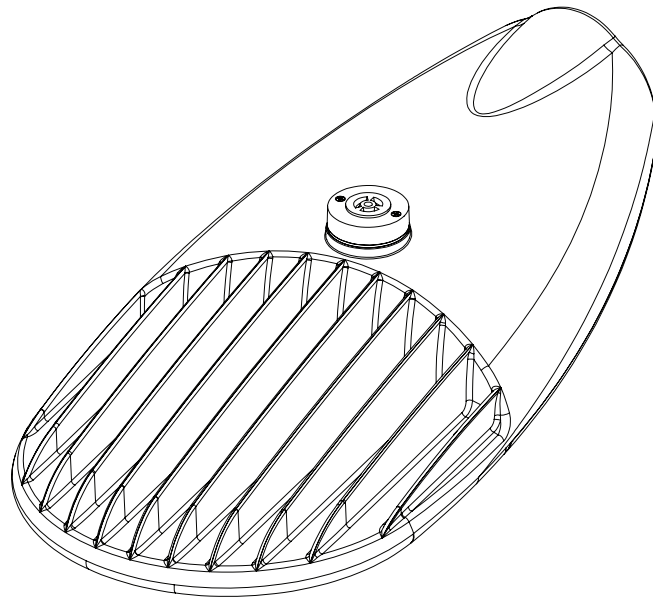
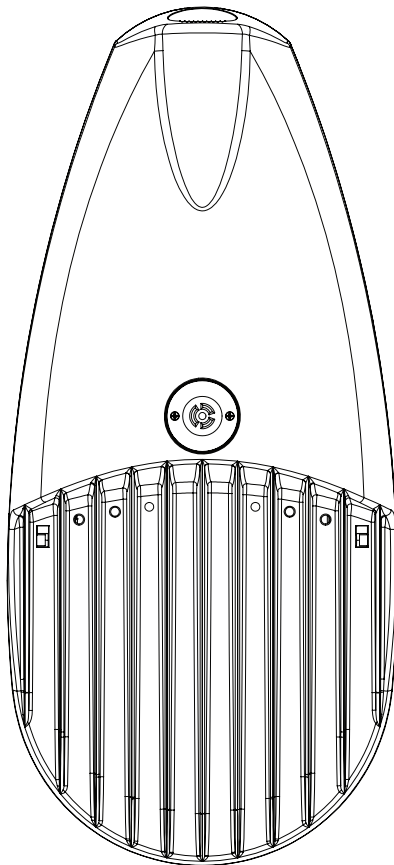
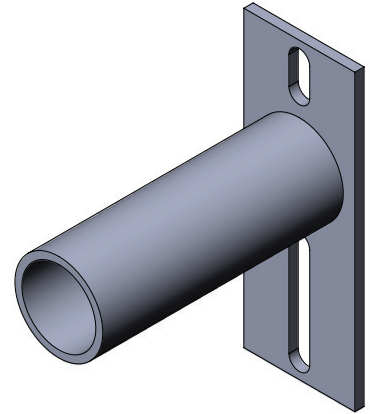
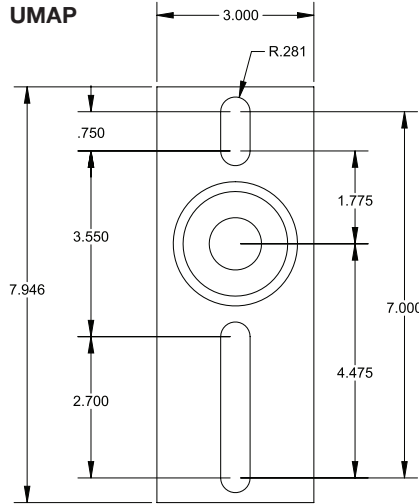
RLX-1 ARRAY LED Array Specifications

Photometric Optical Summary



Dimensions

| | |
|----------------|-----------|
| Width: | RLX-1 14" |
| Height: | RLX-1 4" |
| Depth: | RLX-1 31" |
| Weight: | 31 LBS |



LED Specifications **RLX-1 ARRAY**

| RLX-1 ARRAY 3K LUMEN DATA | | | | | | | | | | | | | |
|---------------------------|---------|------|-------|-------|-------|-------|-------|-------|-------|-------|-------|-------|-------|
| Lumens | Current | LEDs | T1 | T2 | T3 | T3L | T4 | T4L | T4A | T5SR | T5LR | T5LS | Watts |
| 15L | 1200 | 32AR | 15104 | 15178 | 14791 | 14540 | 14542 | 14538 | 14901 | 15074 | 14764 | 14577 | 114 |
| 20L | 1050 | 48AR | 20036 | 20134 | 19621 | 19288 | 19290 | 19290 | 19286 | 19996 | 19584 | 19337 | 149 |
| 25L | 1400 | 48AR | 22558 | 22668 | 22091 | 21717 | 21719 | 21719 | 21715 | 22514 | 22050 | 21772 | 172 |
| 30L | 1200 | 64AR | 29924 | 30071 | 29305 | 28809 | 28811 | 28811 | 28807 | 29866 | 29250 | 28881 | 230 |
| 35L | 1050 | 80AR | 32462 | 32621 | 31790 | 31253 | 31255 | 31251 | 31251 | 32399 | 31731 | 31330 | 241 |
| 40L | 1200 | 80AR | 36369 | 36547 | 35616 | 35015 | 35017 | 35013 | 35881 | 36298 | 35550 | 35101 | 276 |
| 45L | 1500 | 80AR | 44027 | 44243 | 43116 | 42388 | 42390 | 42386 | 43437 | 43941 | 43036 | 42492 | 370 |
| RLX-1 ARRAY 4K LUMEN DATA | | | | | | | | | | | | | |
| Lumens | Current | LEDs | T1 | T2 | T3 | T3L | T4 | T4L | T4A | T5SR | T5LR | T5LS | Watts |
| 15L | 1200 | 32AR | 16726 | 16808 | 16380 | 16102 | 16104 | 16100 | 16502 | 16693 | 16350 | 16143 | 114 |
| 20L | 1050 | 48AR | 22188 | 22296 | 21728 | 21361 | 21363 | 21359 | 21890 | 22144 | 21688 | 21414 | 149 |
| 25L | 1400 | 48AR | 24981 | 25103 | 24464 | 24050 | 24052 | 24048 | 24646 | 24932 | 24419 | 24110 | 172 |
| 30L | 1200 | 64AR | 33139 | 33301 | 32453 | 31904 | 31906 | 32694 | 32694 | 33074 | 32393 | 31983 | 230 |
| 35L | 1050 | 80AR | 35949 | 36125 | 35205 | 34610 | 34612 | 35467 | 35467 | 35879 | 35140 | 34696 | 241 |
| 40L | 1200 | 80AR | 40276 | 40473 | 39442 | 38776 | 38778 | 39736 | 39736 | 40197 | 39369 | 38872 | 276 |
| 45L | 1500 | 80AR | 48757 | 48995 | 47747 | 46942 | 46944 | 48103 | 48103 | 48661 | 47659 | 47057 | 370 |
| RLX-1 ARRAY 5K LUMEN DATA | | | | | | | | | | | | | |
| Lumens | Current | LEDs | T1 | T2 | T3 | T3L | T4 | T4L | T4A | T5SR | T5LR | T5LS | Watts |
| 15L | 1200 | 32AR | 16726 | 16808 | 16380 | 16102 | 16104 | 16100 | 16502 | 16693 | 16350 | 16143 | 114 |
| 20L | 1050 | 48AR | 22188 | 22296 | 21728 | 21361 | 21363 | 21359 | 21890 | 22144 | 21688 | 21414 | 149 |
| 25L | 1400 | 48AR | 24981 | 25103 | 24464 | 24050 | 24052 | 24048 | 24646 | 24932 | 24419 | 24110 | 172 |
| 30L | 1200 | 64AR | 33139 | 33301 | 32453 | 31904 | 31906 | 31902 | 32694 | 33074 | 32393 | 31983 | 230 |
| 35L | 1050 | 80AR | 35949 | 36125 | 35205 | 34610 | 34612 | 34608 | 35467 | 35879 | 35140 | 34696 | 241 |
| 40L | 1200 | 80AR | 40276 | 40473 | 39442 | 38776 | 38778 | 38774 | 39736 | 40197 | 39369 | 38872 | 276 |
| 45L | 1500 | 80AR | 48757 | 48995 | 47747 | 46942 | 46944 | 46940 | 48103 | 48661 | 47659 | 47057 | 370 |
| RLX-1 ARRAY 3K LPW DATA | | | | | | | | | | | | | |
| Lumens | Current | LEDs | T1 | T2 | T3 | T3L | T4 | T4L | T4A | T5SR | T5LR | T5LS | Watts |
| 15L | 1200 | 32AR | 133 | 133 | 130 | 128 | 128 | 128 | 131 | 132 | 130 | 128 | 114 |
| 20L | 1050 | 48AR | 134 | 135 | 131 | 129 | 129 | 129 | 132 | 134 | 131 | 130 | 149 |
| 25L | 1400 | 48AR | 131 | 132 | 129 | 127 | 127 | 127 | 130 | 131 | 128 | 127 | 172 |
| 30L | 1200 | 64AR | 130 | 131 | 127 | 125 | 125 | 125 | 128 | 130 | 127 | 126 | 230 |
| 35L | 1050 | 80AR | 135 | 135 | 132 | 130 | 130 | 130 | 133 | 135 | 132 | 130 | 241 |
| 40L | 1200 | 80AR | 132 | 132 | 129 | 127 | 127 | 127 | 130 | 131 | 129 | 127 | 276 |
| 45L | 1500 | 80AR | 119 | 120 | 117 | 115 | 115 | 115 | 117 | 119 | 116 | 115 | 370 |
| RLX-1 ARRAY 4K LPW DATA | | | | | | | | | | | | | |
| Lumens | Current | LEDs | T1 | T2 | T3 | T3L | T4 | T4L | T4A | T5SR | T5LR | T5LS | Watts |
| 15L | 1200 | 32AR | 147 | 148 | 144 | 141 | 141 | 141 | 145 | 147 | 144 | 142 | 114 |
| 20L | 1050 | 48AR | 149 | 149 | 146 | 143 | 143 | 143 | 147 | 148 | 145 | 143 | 149 |
| 25L | 1400 | 48AR | 146 | 146 | 143 | 140 | 140 | 140 | 144 | 145 | 142 | 141 | 172 |
| 30L | 1200 | 64AR | 144 | 145 | 141 | 139 | 139 | 139 | 142 | 144 | 141 | 139 | 230 |
| 35L | 1050 | 80AR | 149 | 150 | 146 | 144 | 144 | 144 | 147 | 149 | 146 | 144 | 241 |
| 40L | 1200 | 80AR | 146 | 146 | 143 | 140 | 140 | 140 | 144 | 145 | 142 | 141 | 276 |
| 45L | 1500 | 80AR | 132 | 132 | 129 | 127 | 127 | 127 | 130 | 132 | 129 | 127 | 370 |
| RLX-1 ARRAY 5K LPW DATA | | | | | | | | | | | | | |
| Lumens | Current | LEDs | T1 | T2 | T3 | T3L | T4 | T4L | T4A | T5SR | T5LR | T5LS | Watts |
| 15L | 1200 | 32AR | 147 | 148 | 144 | 141 | 141 | 141 | 145 | 147 | 144 | 142 | 114 |
| 20L | 1050 | 48AR | 149 | 149 | 146 | 143 | 143 | 143 | 147 | 148 | 145 | 143 | 149 |
| 25L | 1400 | 48AR | 146 | 146 | 143 | 140 | 140 | 140 | 144 | 145 | 142 | 141 | 172 |
| 30L | 1200 | 64AR | 144 | 145 | 141 | 139 | 139 | 139 | 142 | 144 | 141 | 139 | 230 |
| 35L | 1050 | 80AR | 149 | 150 | 146 | 144 | 144 | 144 | 147 | 149 | 146 | 144 | 241 |
| 40L | 1200 | 80AR | 146 | 146 | 143 | 140 | 140 | 140 | 144 | 145 | 142 | 141 | 276 |
| 45L | 1500 | 80AR | 132 | 132 | 129 | 127 | 127 | 127 | 130 | 132 | 129 | 127 | 370 |

RLX-1 ARRAY LED Array Specifications

| RLX-1 ARRAY 3K BUG DATA | | | | | | | | | | | | | | | | | | | | | | | | | | | | | | | | | |
|-------------------------|---------|------|----|---|---|----|---|---|----|---|---|-----|---|---|----|---|---|-----|---|---|-----|---|---|------|---|---|------|---|---|------|---|---|-------|
| Lumens | Current | LEDs | T1 | | | T2 | | | T3 | | | T3L | | | T4 | | | T4L | | | T4A | | | T5SR | | | T5LR | | | T5LS | | | Watts |
| | | | B | U | G | B | U | G | B | U | G | B | U | G | B | U | G | B | U | G | B | U | G | B | U | G | B | U | G | B | U | G | |
| 15L | 1200 | 32AR | 4 | 0 | 4 | 3 | 0 | 3 | 3 | 0 | 3 | 3 | 0 | 3 | 3 | 0 | 3 | 3 | 0 | 3 | 3 | 0 | 3 | 4 | 0 | 2 | 4 | 0 | 3 | 4 | 0 | 2 | 114 |
| 20L | 1050 | 48AR | 4 | 0 | 4 | 3 | 0 | 3 | 3 | 0 | 3 | 3 | 0 | 4 | 3 | 0 | 3 | 3 | 0 | 4 | 3 | 0 | 3 | 4 | 0 | 2 | 4 | 0 | 3 | 4 | 0 | 3 | 149 |
| 25L | 1400 | 48AR | 4 | 0 | 4 | 3 | 0 | 3 | 3 | 0 | 3 | 4 | 0 | 4 | 3 | 0 | 3 | 3 | 0 | 4 | 3 | 0 | 3 | 4 | 0 | 2 | 5 | 0 | 3 | 5 | 0 | 3 | 172 |
| 30L | 1200 | 64AR | 5 | 0 | 5 | 4 | 0 | 4 | 3 | 0 | 4 | 4 | 0 | 5 | 4 | 0 | 4 | 4 | 0 | 5 | 4 | 0 | 3 | 5 | 0 | 3 | 5 | 0 | 4 | 5 | 0 | 3 | 230 |
| 35L | 1050 | 80AR | 5 | 0 | 5 | 4 | 0 | 4 | 4 | 0 | 4 | 4 | 0 | 5 | 4 | 0 | 4 | 4 | 0 | 5 | 4 | 0 | 3 | 5 | 0 | 3 | 5 | 0 | 4 | 5 | 0 | 4 | 241 |
| 40L | 1200 | 80AR | 5 | 0 | 5 | 4 | 0 | 4 | 4 | 0 | 4 | 4 | 0 | 5 | 4 | 0 | 4 | 4 | 0 | 5 | 4 | 0 | 4 | 5 | 0 | 3 | 5 | 0 | 5 | 5 | 0 | 4 | 276 |
| 45L | 1500 | 80AR | 5 | 0 | 5 | 4 | 0 | 4 | 4 | 0 | 5 | 5 | 0 | 5 | 4 | 0 | 5 | 4 | 0 | 5 | 4 | 0 | 4 | 5 | 0 | 4 | 5 | 0 | 5 | 5 | 0 | 4 | 370 |
| RLX-1 ARRAY 4K BUG DATA | | | | | | | | | | | | | | | | | | | | | | | | | | | | | | | | | |
| Lumens | Current | LEDs | T1 | | | T2 | | | T3 | | | T3L | | | T4 | | | T4L | | | T4A | | | T5SR | | | T5LR | | | T5LS | | | Watts |
| | | | B | U | G | B | U | G | B | U | G | B | U | G | B | U | G | B | U | G | B | U | G | B | U | G | B | U | G | B | U | G | |
| 15L | 1200 | 32AR | 4 | 0 | 4 | 3 | 0 | 3 | 3 | 0 | 3 | 3 | 0 | 4 | 3 | 0 | 3 | 3 | 0 | 3 | 3 | 0 | 3 | 4 | 0 | 2 | 4 | 0 | 3 | 4 | 0 | 2 | 114 |
| 20L | 1050 | 48AR | 4 | 0 | 4 | 3 | 0 | 3 | 3 | 0 | 3 | 4 | 0 | 4 | 3 | 0 | 3 | 3 | 0 | 4 | 3 | 0 | 3 | 4 | 0 | 2 | 5 | 0 | 3 | 5 | 0 | 3 | 149 |
| 25L | 1400 | 48AR | 4 | 0 | 4 | 3 | 0 | 3 | 3 | 0 | 3 | 4 | 0 | 5 | 3 | 0 | 3 | 3 | 0 | 4 | 3 | 0 | 3 | 4 | 0 | 2 | 5 | 0 | 4 | 5 | 0 | 3 | 172 |
| 30L | 1200 | 64AR | 5 | 0 | 5 | 4 | 0 | 4 | 4 | 0 | 4 | 4 | 0 | 5 | 4 | 0 | 4 | 4 | 0 | 5 | 4 | 0 | 4 | 5 | 0 | 3 | 5 | 0 | 4 | 5 | 0 | 4 | 230 |
| 35L | 1050 | 80AR | 5 | 0 | 5 | 4 | 0 | 4 | 4 | 0 | 4 | 4 | 0 | 5 | 4 | 0 | 4 | 4 | 0 | 5 | 4 | 0 | 4 | 5 | 0 | 3 | 5 | 0 | 5 | 5 | 0 | 4 | 241 |
| 40L | 1200 | 80AR | 5 | 0 | 5 | 4 | 0 | 4 | 4 | 0 | 4 | 4 | 0 | 5 | 4 | 0 | 4 | 4 | 0 | 5 | 4 | 0 | 4 | 5 | 0 | 4 | 5 | 0 | 5 | 5 | 0 | 4 | 276 |
| 45L | 1500 | 80AR | 5 | 0 | 5 | 4 | 0 | 4 | 4 | 0 | 5 | 5 | 0 | 5 | 4 | 0 | 5 | 4 | 0 | 5 | 4 | 0 | 4 | 5 | 0 | 4 | 5 | 0 | 5 | 5 | 0 | 4 | 370 |
| RLX-1 ARRAY 5K BUG DATA | | | | | | | | | | | | | | | | | | | | | | | | | | | | | | | | | |
| Lumens | Current | LEDs | T1 | | | T2 | | | T3 | | | T3L | | | T4 | | | T4L | | | T4A | | | T5SR | | | T5LR | | | T5LS | | | Watts |
| | | | B | U | G | B | U | G | B | U | G | B | U | G | B | U | G | B | U | G | B | U | G | B | U | G | B | U | G | B | U | G | |
| 15L | 1200 | 32AR | 4 | 0 | 4 | 3 | 0 | 3 | 3 | 0 | 3 | 3 | 0 | 4 | 3 | 0 | 3 | 3 | 0 | 3 | 3 | 0 | 3 | 4 | 0 | 2 | 4 | 0 | 3 | 4 | 0 | 2 | 114 |
| 20L | 1050 | 48AR | 4 | 0 | 4 | 3 | 0 | 3 | 3 | 0 | 3 | 4 | 0 | 4 | 3 | 0 | 3 | 3 | 0 | 4 | 3 | 0 | 3 | 4 | 0 | 2 | 5 | 0 | 3 | 5 | 0 | 3 | 149 |
| 25L | 1400 | 48AR | 4 | 0 | 4 | 3 | 0 | 3 | 3 | 0 | 3 | 4 | 0 | 5 | 3 | 0 | 3 | 3 | 0 | 4 | 3 | 0 | 3 | 4 | 0 | 2 | 5 | 0 | 4 | 5 | 0 | 3 | 172 |
| 30L | 1200 | 64AR | 5 | 0 | 5 | 4 | 0 | 4 | 4 | 0 | 4 | 4 | 0 | 5 | 4 | 0 | 4 | 4 | 0 | 5 | 4 | 0 | 4 | 5 | 0 | 3 | 5 | 0 | 4 | 5 | 0 | 4 | 230 |
| 35L | 1050 | 80AR | 5 | 0 | 5 | 4 | 0 | 4 | 4 | 0 | 4 | 4 | 0 | 5 | 4 | 0 | 4 | 4 | 0 | 5 | 4 | 0 | 4 | 5 | 0 | 3 | 5 | 0 | 5 | 5 | 0 | 4 | 241 |
| 40L | 1200 | 80AR | 5 | 0 | 5 | 4 | 0 | 4 | 4 | 0 | 4 | 4 | 0 | 5 | 4 | 0 | 4 | 4 | 0 | 5 | 4 | 0 | 4 | 5 | 0 | 4 | 5 | 0 | 5 | 5 | 0 | 4 | 276 |
| 45L | 1500 | 80AR | 5 | 0 | 5 | 4 | 0 | 4 | 4 | 0 | 5 | 5 | 0 | 5 | 4 | 0 | 5 | 4 | 0 | 5 | 4 | 0 | 4 | 5 | 0 | 4 | 5 | 0 | 5 | 5 | 0 | 4 | 370 |

LED Specifications **RLX-1 ARRAY**
