

Housing

- The LED light engines are constructed of heavy-duty, die-cast aluminum, with external heat radiating fins.

Driver Compartment

- The separate driver housing is constructed of 6063 T5 extruded aluminum alloy, with machined aluminum end covers and stainless steel fasteners; for easy access to the LED driver(s); allowing for cooler operation and longer driver life. One-piece gasketing is utilized throughout the fixture for weather tight operation.

Thermal Management

- The BOW SX II Array Roadway Series provides excellent overall thermal management by maximizing the fixture's heat sink capabilities. This enables the BOW SX II Array Roadway Series to withstand higher ambient temperatures and drive currents without degrading LED life.
- The L70 test determines the point in an LED's life when it reaches 70 percent of its initial output. The BOW SX II Array Series LEDs have been determined to last a minimum of 100,000 hours in 25°C environments when driven at 350 mA.

Optical System

- High Power/High Lumen output LED's are utilized in the BSX-II series. We offer IES distribution types: I, II, III, IV, V. Specially designed optics types are also available IVA, T5RS and T5RL. LED light engines come in multiples of 16 LED Arrays.
- Standard CRI is 70, CRI's of 80 and 90 are available upon special request.
- LED optical Assembly is rated for IP67, using high performance Optical Grade Acrylic.

New LED Array Technology

- 4 Diodes now replace a single Led chip and operate at 25% of the drive current allowing for higher efficiency, less heat and longer life. (10 Year Warranty)
- More LEDs at a lower drive current provides a more comfortable visual effect.

Quali-Guard® Finish

- The finish is a Quali-Guard® textured, chemically pretreated through a multiple-stage washer, electrostatically applied, thermoset polyester powder coat finish, with a minimum of 3-5 millimeter thickness. Finish is oven-baked at 400 °F to promote maximum adherence and finish hardness. All finishes are available in standard and custom colors. Finish is guaranteed for five (5) years.

Mounting

- An adjustable knuckle slip fits over a 2 3/8" Tenon, and allows for up to 90° degrees of vertical adjustment in 10° degree increments from horizontal, as well as full side to side adjustment with the knuckle mount.
- The Bolt -On Arm (BOA) utilizes a 2 piece cleat system for easy installation. A Round Pole Plate Adaptor (RPP) is required for mounting to round poles.
- Mast Arm Fitter fits over a 2 3/8" tenon.
- Post Top fits over a 2 3/8" tenon and is adjustable up to 45°.
- Trunnion Mount is adjustable up to 45°
- Adjustable Wall Mount

Electrical Assembly

- The BSX-II Series is supplied with a choice of 530, 700, or 1000 mA high-performance LED drivers, that accept 120v thru 480v, 50 Hz to 60 Hz, input. Power factor of 95%. Rated for -40 °C to +55 °C operations.
- 20 kV surge protector supplied as standard. Meets ANSI C82.77-5-2015. Meets ANSI C136.2-2015. Meets IEEE C62.41.2. Meets US Dept of energy MSSLC Model Spec. IP66 Rated.
- 85 Amp, 600 Volt AC/DC Terminal block supplied as standard except for Knuckle Mount. #4-14# AWG Copper wire only.
- 0-10v Dimming Driver supplied as standard.
- LED drivers used in the BLX-II series are all high efficiency (>90%) class 1 drivers. Minimum internal surge protection of 3KV/ internal fusing (some configurations have higher), 10% minimum dimming, 100,000 hr rated lifetime @ 25C. All configurations meet DLC minimum requirements of THD <20%, PF>0.90. Consult factory for datasheets/technical information pertaining to drivers.

Warranty

- Ten (10) year Limited Warranty on electrical components, Seven (7) year on finish. For full warranty information, please visit visionairelighting.com.

Options

- 5Pin ANSI C136.41
- 7Pin ANSI C136.41
- Photocell & Receptacle
- Photo Receptacle
- Round pole plate adaptor
- Motion Sensor
- Pole Mounted Motion Sensor
- Universal Pole Mount Adaptor
- Decorative Shroud
- Wireless Controls
- Rotated Optics
- Up-Light Configuration

Listings

- BOW SX II Array Series is UL listed, suitable for wet locations
- LM79 and LM80
- RoHS compliant
- Meets ANSI C136.31-2010 3G Vibration Standards
- Powder Coated Tough™
- IP-65 Rated



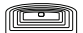
DesignLights Consortium (DLC) qualified Product. Some configurations of this product family may not be DesignLights Consortium (DLC) listed, please refer to the DLC qualified products list to confirm listed configurations. <http://www.designlights.org/>
3000K must be selected with a fixed mount for IDA certification.



BSX-II ARRAY ROADWAY LED Specifications

Photometric Optical Summary

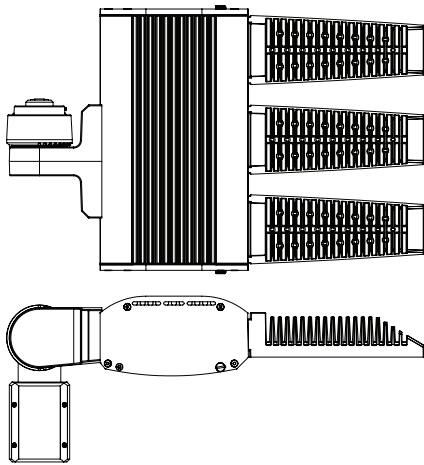
Not all optics are available on all fixtures. Check ordering chart for availability

Type I (T1)	Type II (T2)	Type III (T3)	Type IV (T4)	Type IVA (T4A)	Type VRS (T5RS)	Type VRL (T5RL)
						

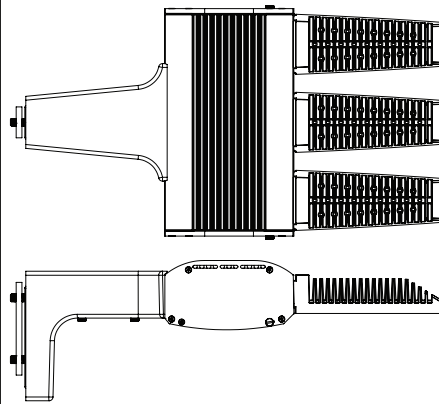
Dimensions

Knuckle Mount		Bolt-On Arm		Mast Arm		Post Top		Trunnion Mount		Trunnion Mount	
Width:	BSX-II-2 15" BSX-II-3 15" BSX-II-4 17"	Width:	BSX-II-2 15" BSX-II-3 15" BSX-II-4 17"	Width:	BSX-II-2 15" BSX-II-3 15" BSX-II-4 17"	Width:	BSX-II-2 15" BSX-II-3 15" BSX-II-4 17"	Width:	BSX-II-2 15" BSX-II-3 15" BSX-II-4 17"	Width:	BSX-II-2 15" BSX-II-3 15" BSX-II-4 17"
Depth:	BSX-II-2 29" BSX-II-3 29" BSX-II-4 29"	Depth:	BSX-II-2 27" BSX-II-3 27" BSX-II-4 27"	Depth:	BSX-II-2 28" BSX-II-3 28" BSX-II-4 28"	Depth:	BSX-II-2 27" BSX-II-3 27" BSX-II-4 27"	Depth:	BSX-II-2 25" BSX-II-3 25" BSX-II-4 25"	Depth:	BSX-II-2 25" BSX-II-3 25" BSX-II-4 25"
Height:	BSX-II-2 5" BSX-II-3 5" BSX-II-4 5"	Height:	BSX-II-2 9" BSX-II-3 9" BSX-II-4 9"	Height:	BSX-II-2 5" BSX-II-3 5" BSX-II-4 5"	Height:	BSX-II-2 5" BSX-II-3 5" BSX-II-4 5"	Height:	BSX-II-2 5" BSX-II-3 5" BSX-II-4 5"	Height:	BSX-II-2 8" BSX-II-3 8" BSX-II-4 8"

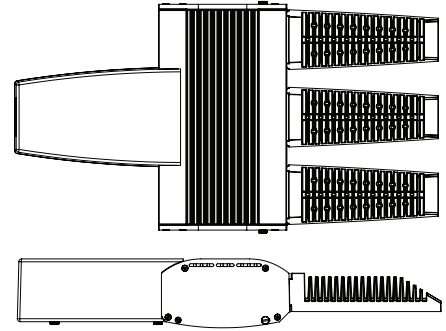
Knuckle Mount



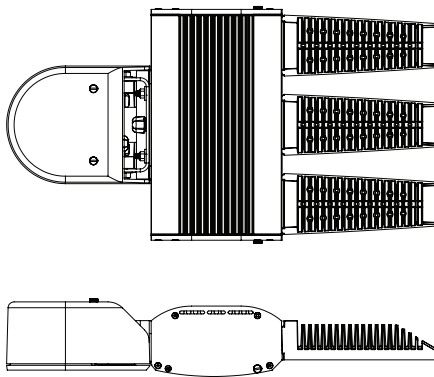
Bolt-On Arm



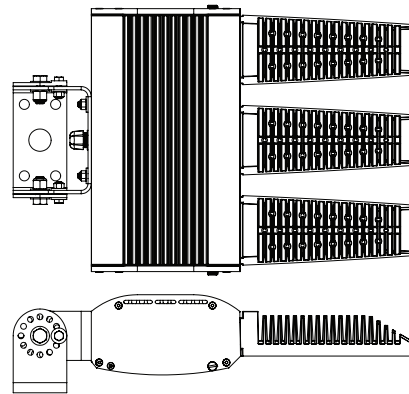
Mast Arm



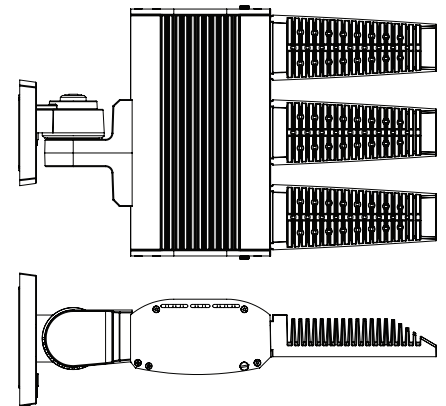
Post Top Mount



Trunnion Mount



Adjustable Wall Mount



LED Specifications **BSX-II ARRAY ROADWAY**

BSX 3K LUMEN DATA											
LUMENS	Current	LEDs	T1	T2	T3	T4	T4A	T5SR	T5LR	T5LS	Watts
5L	350	32AR BSX-II-2	4752	4744	4645	4640	4699	4763	4581	4759	33
10L	700		9021	9006	8818	8809	8920	9042	8696	9033	68
15L	1050		13180	13159	12884	12871	13032	13210	12706	13198	102
20L	1050	48AR BSX-II-3	20065	20032	19613	19593	19840	20111	19342	20092	152
25L	1200		22359	22323	21856	21834	22109	22411	21554	22390	172
30L	1200	64AR BSX-II-4	29432	29384	28770	28740	29102	29499	28372	29473	230
35L	1400		33133	33079	32388	32355	32761	33209	31940	33179	263

BSX 4K LUMEN DATA											
5L	350	32AR BSX-II-2	5263	5254	5144	5139	5204	5275	5073	5270	33
10L	700		9990	9974	9765	9755	9878	10013	9630	10004	68
15L	1050		14596	14572	14268	14253	14432	14629	14071	14616	102
20L	1050	48AR BSX-II-3	22220	22184	21720	21698	21971	22271	21420	22251	152
25L	1200		24761	24721	24204	24180	24483	24818	23870	24796	172
30L	1200	64AR BSX-II-4	32593	32540	31860	31828	32228	32668	31420	32638	230
35L	1400		36692	36632	35867	35830	36280	36776	35371	36743	263

BSX 5K LUMEN DATA											
5L	350	32AR BSX-II-2	5263	5254	5144	5139	5204	5275	5213	5270	33
10L	700		9990	9974	9765	9755	9878	10013	9630	10004	68
15L	1050		14596	14572	14268	14253	14432	14629	14071	14616	102
20L	1050	48AR BSX-II-3	22220	22184	21720	21698	21971	22271	21420	22251	152
25L	1200		24761	24721	24204	24180	24483	24818	23870	24796	172
30L	1200	64AR BSX-II-4	32593	32540	31860	31828	32228	32668	31420	32638	230
35L	1400		36692	36632	35867	35830	36280	36776	35371	36743	263

BSX-II EPA Data			BSX-II Weight			
Tilt Deg.	BSX-2	BSX-3	BSX-4	BSX-2	BSX-3	BSX-4
0	.58	.58	.59	16 LBS	21 LBS	26 LBS
10	.58	.62	.77			
20	.62	.82	1.02			
30	.76	1.02	1.28			
40	.9	1.2	1.53			
50	1.01	1.36	1.75			
60	1.11	1.5	1.93			
70	1.14	1.6	2.06			
80	1.19	1.66	2.13			
90	1.21	1.68	2.14			

BSX-II ARRAY ROADWAY LED Specifications

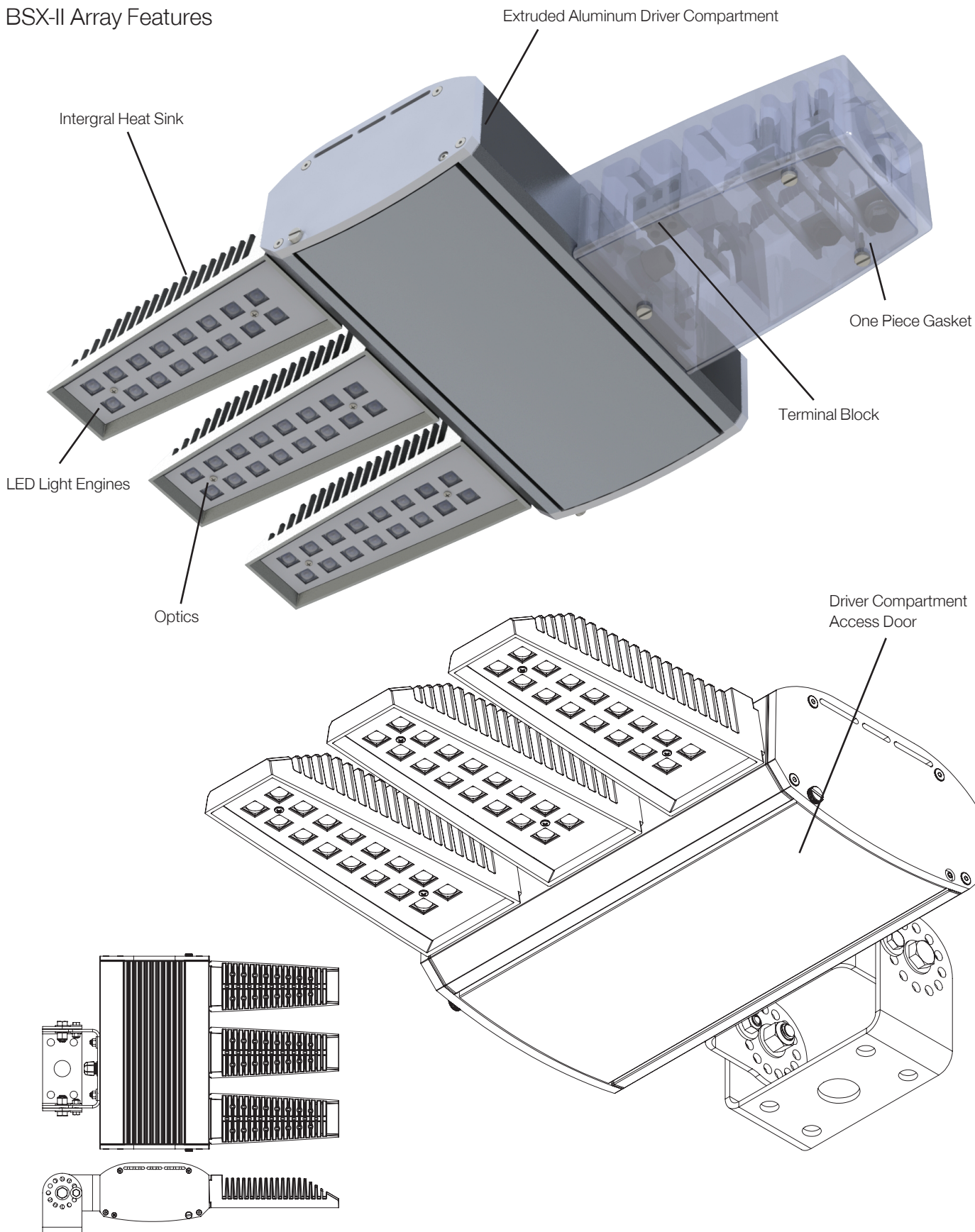
BSX 3K LPW DATA											
LUMENS	Current	LEDs	T1	T2	T3	T4	T4A	T5SR	T5LR	T5LS	Watts
5L	350	32AR BSX-II-2	144	143	140	140	142	144	138	144	33
10L	700		134	133	131	131	132	134	129	134	68
15L	1050		129	129	126	126	128	129	124	129	102
20L	1050	48AR BSX-II-3	132	132	129	129	131	133	128	133	152
25L	1200		130	130	127	127	129	130	125	130	172
30L	1200	64AR BSX-II-4	128	128	125	125	126	128	123	128	230
35L	1400		126	126	123	123	124	126	121	126	263
BSX 4K LUMEN DATA											
5L	350	32AR BSX-II-2	159	159	155	155	157	159	153	159	33
10L	700		148	148	145	145	146	148	143	148	68
15L	1050		143	143	140	139	141	143	138	143	102
20L	1050	48AR BSX-II-3	147	146	143	143	145	147	141	147	152
25L	1200		144	144	141	141	142	144	139	144	172
30L	1200	64AR BSX-II-4	141	141	138	138	140	142	136	142	230
35L	1400		139	139	136	136	138	140	134	140	263
BSX 5K LUMEN DATA											
5L	350	32AR BSX-II-2	159	159	155	155	157	159	157	159	33
10L	700		148	148	145	145	146	148	143	148	68
15L	1050		143	143	140	139	141	143	138	143	102
20L	1050	48AR BSX-II-3	147	146	143	143	145	147	141	147	152
25L	1200		144	144	141	141	142	144	139	144	172
30L	1200	64AR BSX-II-4	141	141	138	138	140	142	136	142	230
35L	1400		139	139	136	136	138	140	134	140	263

LED Specifications **BSX-II ARRAY ROADWAY**

VSX 3K BUG DATA																											
LUMENS	Current	LEDs	T1			T2			T3			T4			T4A			T5SR			T5LR			T5LS			Watts
			B	U	G	B	U	G	B	U	G	B	U	G	B	U	G	B	U	G	B	U	G	B	U	G	
5L	350MA	32AR BSX-II-2	2	0	2	1	0	1	1	0	1	1	0	1	1	0	1	2	0	1	3	0	1	3	0	1	33
10L	700MA		3	0	3	2	0	2	2	0	2	2	0	2	2	0	2	3	0	1	3	0	2	3	0	2	68
15L	1050MA		4	0	4	3	0	3	2	0	2	3	0	3	2	0	2	3	0	2	4	0	3	4	0	2	102
20L	1050MA	48AR BSX-II-3	4	0	4	3	0	3	3	0	3	3	0	3	3	0	3	4	0	2	4	0	3	4	0	2	152
25L	1200MA		4	0	4	3	0	3	3	0	3	3	0	3	3	0	3	4	0	2	4	0	3	4	0	3	172
30L	1200MA	64AR BSX-II-4	5	0	5	4	0	4	3	0	4	3	0	4	4	0	3	5	0	3	5	0	4	5	0	3	230
35L	1400MA		5	0	5	4	0	4	3	0	4	4	0	4	4	0	3	5	0	3	5	0	4	5	0	4	263
VSX 4K BUG DATA																											
5L	350MA	32AR BSX-II-2	3	0	3	1	0	1	1	0	1	1	0	1	1	0	1	2	0	1	3	0	2	3	0	1	33
10L	700MA		3	0	3	2	0	2	2	0	2	2	0	2	2	0	2	3	0	2	3	0	2	3	0	2	68
15L	1050MA		4	0	4	3	0	3	3	0	3	3	0	3	3	0	3	4	0	2	4	0	3	4	0	2	102
20L	1050MA	48AR BSX-II-3	4	0	4	3	0	3	3	0	3	3	0	3	3	0	3	4	0	2	4	0	3	4	0	3	152
25L	1200MA		4	0	4	3	0	3	3	0	3	3	0	3	3	0	3	4	0	2	5	0	3	5	0	3	172
30L	1200MA	64AR BSX-II-4	5	0	5	4	0	4	3	0	4	4	0	4	4	0	3	5	0	3	5	0	4	5	0	4	230
35L	1400MA		5	0	5	4	0	4	4	0	4	4	0	4	4	0	4	5	0	3	5	0	4	5	0	4	263
VSX 5K BUG DATA																											
5L	350MA	32AR BSX-II-2	3	0	3	1	0	1	1	0	1	1	0	1	1	0	1	2	0	1	3	0	2	3	0	1	33
10L	700MA		3	0	3	2	0	2	2	0	2	2	0	2	2	0	2	3	0	2	3	0	2	3	0	2	68
15L	1050MA		4	0	4	3	0	3	3	0	3	3	0	3	3	0	3	4	0	2	4	0	3	4	0	2	102
20L	1050MA	48AR BSX-II-3	4	0	4	3	0	3	3	0	3	3	0	3	3	0	3	4	0	2	4	0	3	4	0	3	152
25L	1200MA		4	0	4	3	0	3	3	0	3	3	0	3	3	0	3	4	0	2	5	0	3	5	0	3	172
30L	1200MA	64AR BSX-II-4	5	0	5	4	0	4	3	0	4	4	0	4	4	0	3	5	0	3	5	0	4	5	0	4	230
35L	1400MA		5	0	5	4	0	4	4	0	4	4	0	4	4	0	4	5	0	3	5	0	4	5	0	4	263

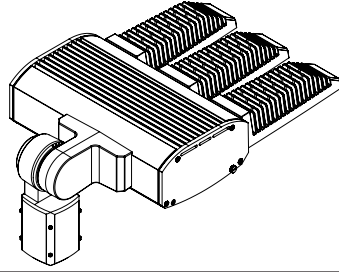
BSX-II ARRAY ROADWAY LED Specifications

BSX-II Array Features



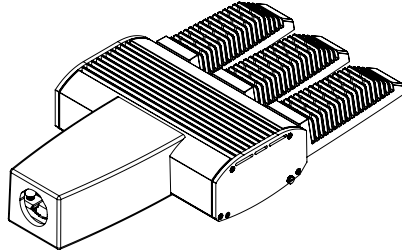
BSX-II Array Mounting Options

Knuckle Mount



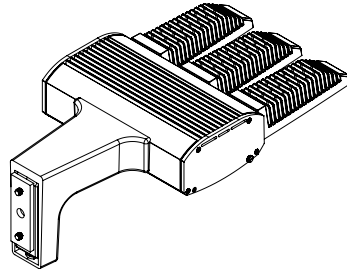
An adjustable knuckle slip fits over a 2 3/8" Tenon, and allows for up to 90° degrees of vertical adjustment in 10° degree increments from horizontal, as well as full side to side adjustment with the knuckle mount.

Mast Arm Mount



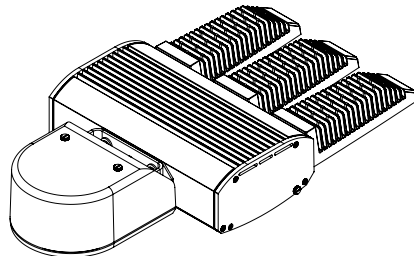
Mast Arm Fitter fits over a 2 3/8" tenon.

Arm Mount



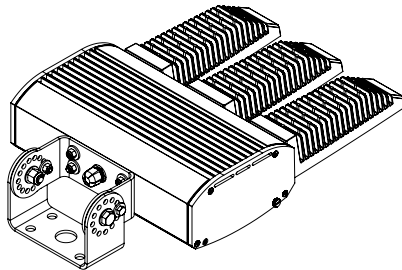
The Bolt -On Arm (BOA) utilizes a 2 piece cleat system for easy installation. A Round Pole Plate Adaptor (RPP) is required for mounting to round poles.

Post Top Mount



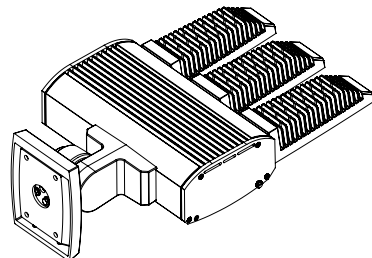
Post Top fits over a 2 3/8" tenon and is adjustable up to 45°.

Trunnion Mount



Trunnion Mount is adjustable up to 180°.

Wall Mount

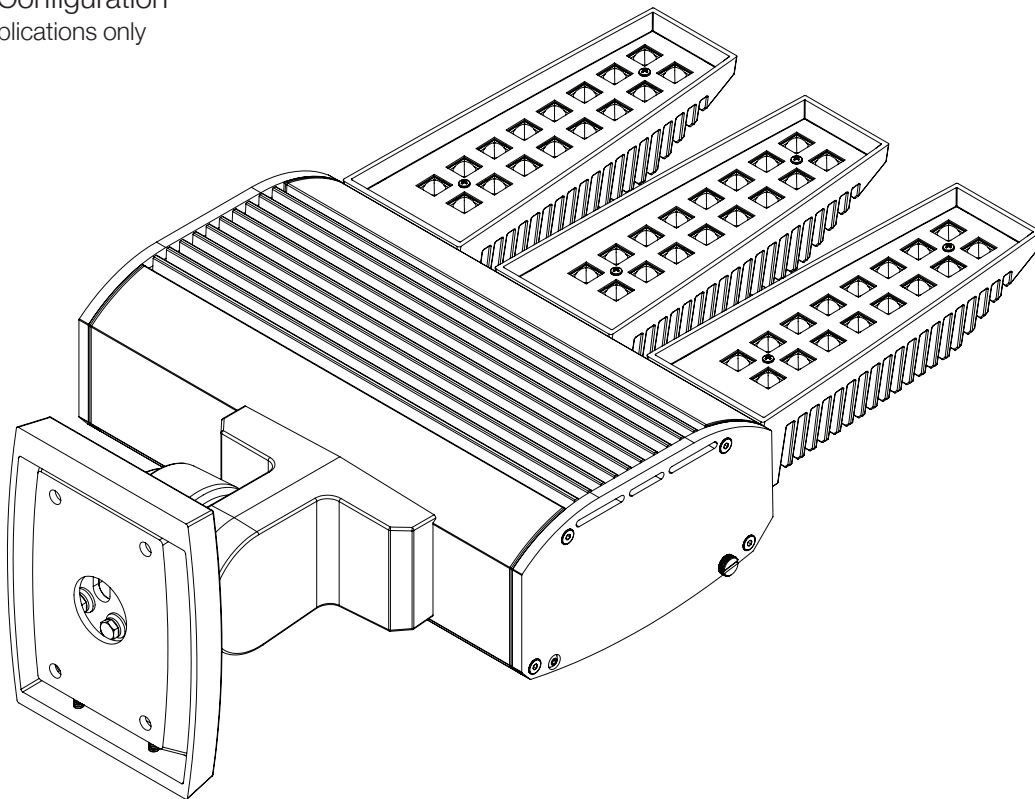


Wall Mount is adjustable up to 90°.

BSX-II ARRAY ROADWAY LED Specifications

Up-Light Configuration

*Indoor applications only



Up-Light Configuration with Photocell

*Indoor applications only

