

BOW Wall Mount Installation Instructions

All installation work must be performed by a qualified, certified electrician.

Caution! Disconnect all power before installation.

*Mounting surface must be able to withstand 4 times the weight of the fixture.

1. Pull wire leads through Wall Mount Plate wire way hole.

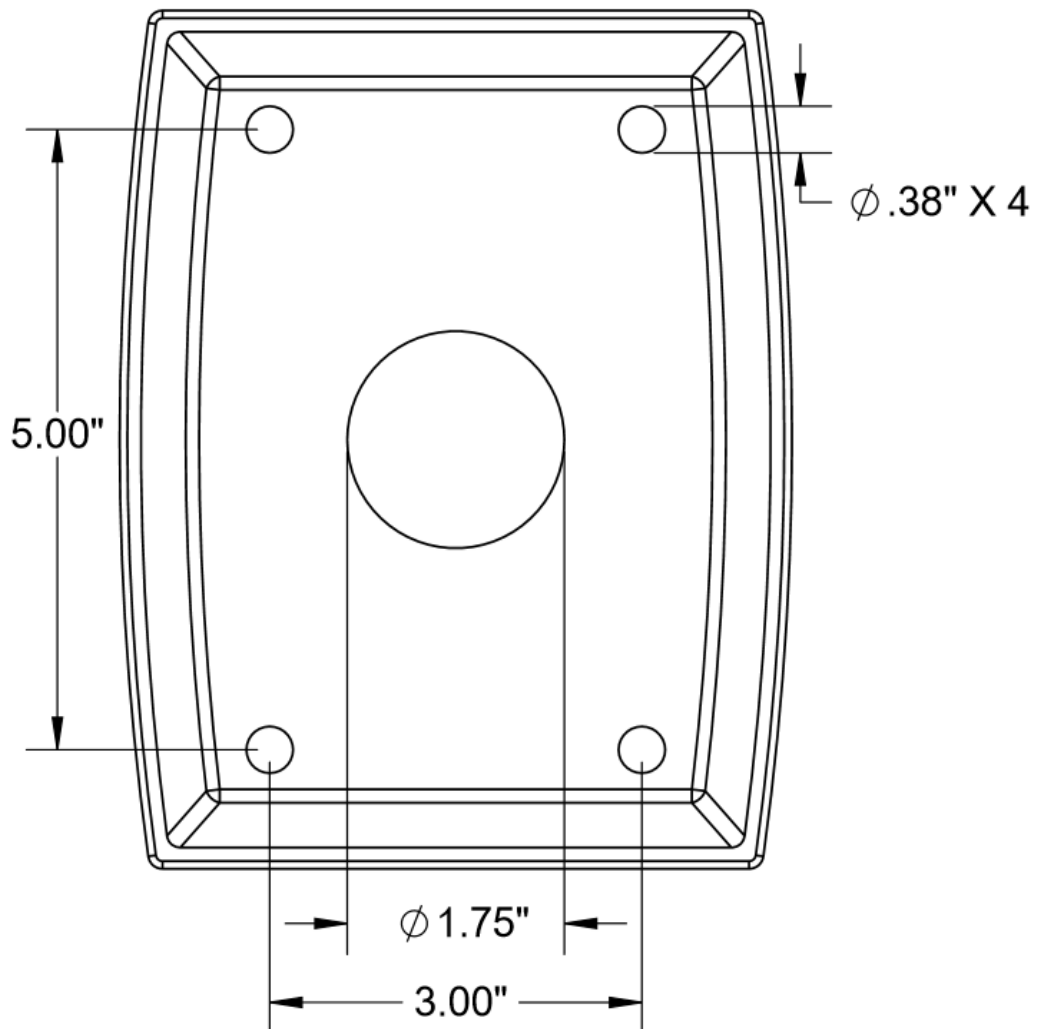
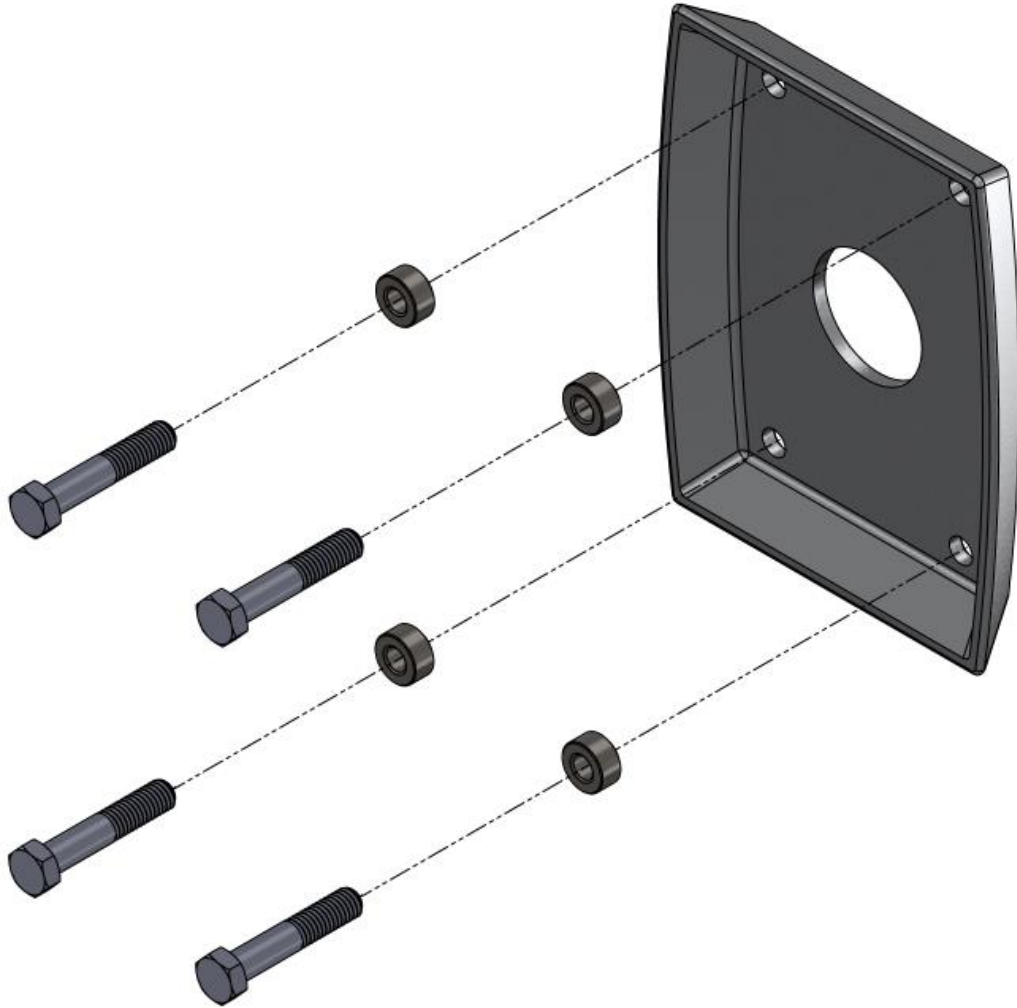


Figure 1: Wall Mount Plate

2. Install Wall Mount Plate to wall with hardware supplied by others. Ensure Wall Mount Plate is leveled to the ground before proceeding.



3. Connect wires from luminaire to power supply wires.

4. Fit luminaire with Wall Mount Cover over top edge of Wall Mount Plate. Ensure excess wire sits in cavity between the two plates to avoid pinching wires. Rotate luminaire down over Wall Mount Plate.

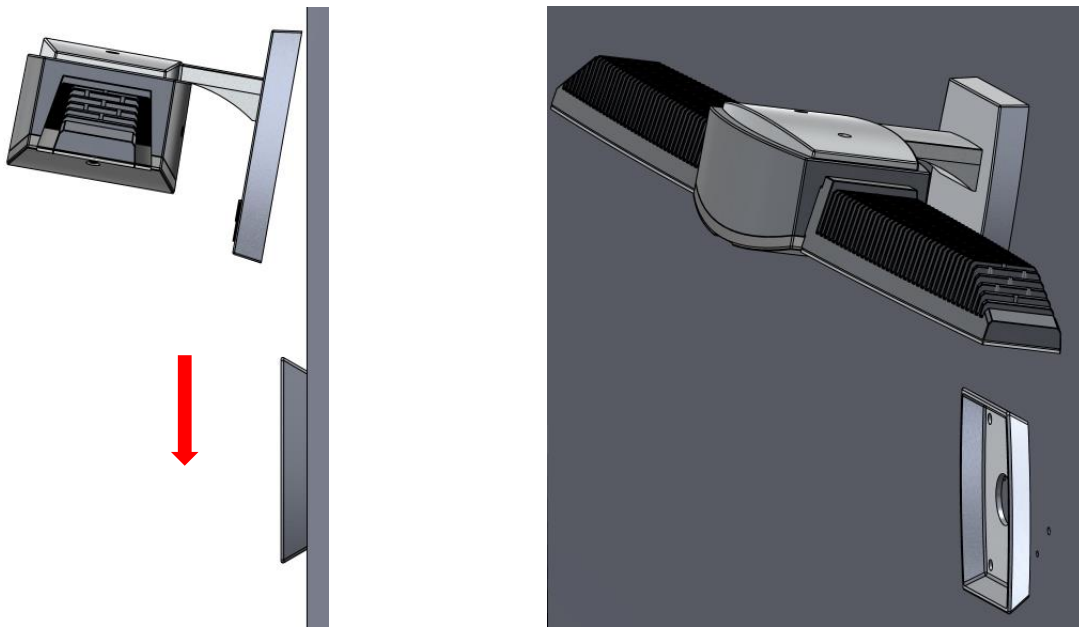
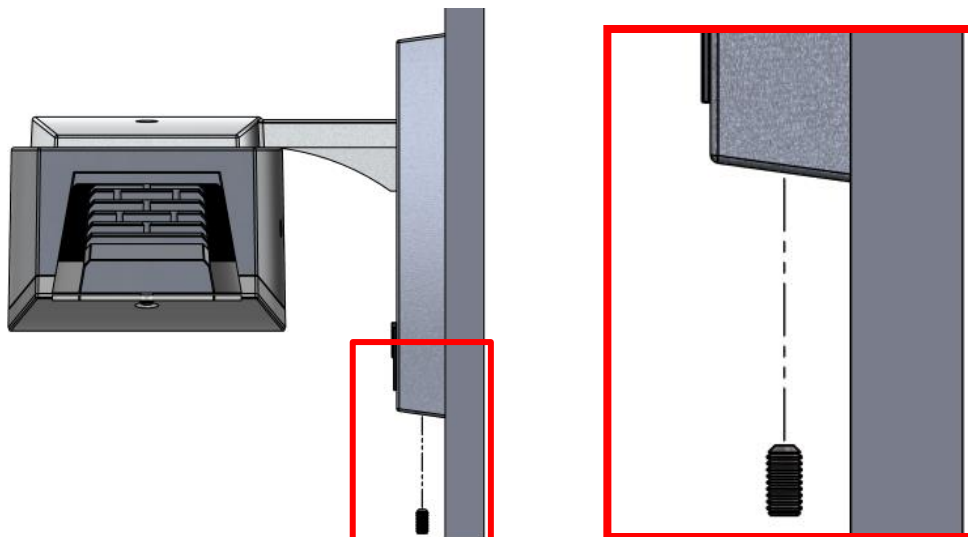


Figure 2: Luminaire with Wall Mount Cover and Plate Assembly

5. Firmly tighten (2x) Set Screws provided at the bottom of the Wall Mount Cover to finish assembly.



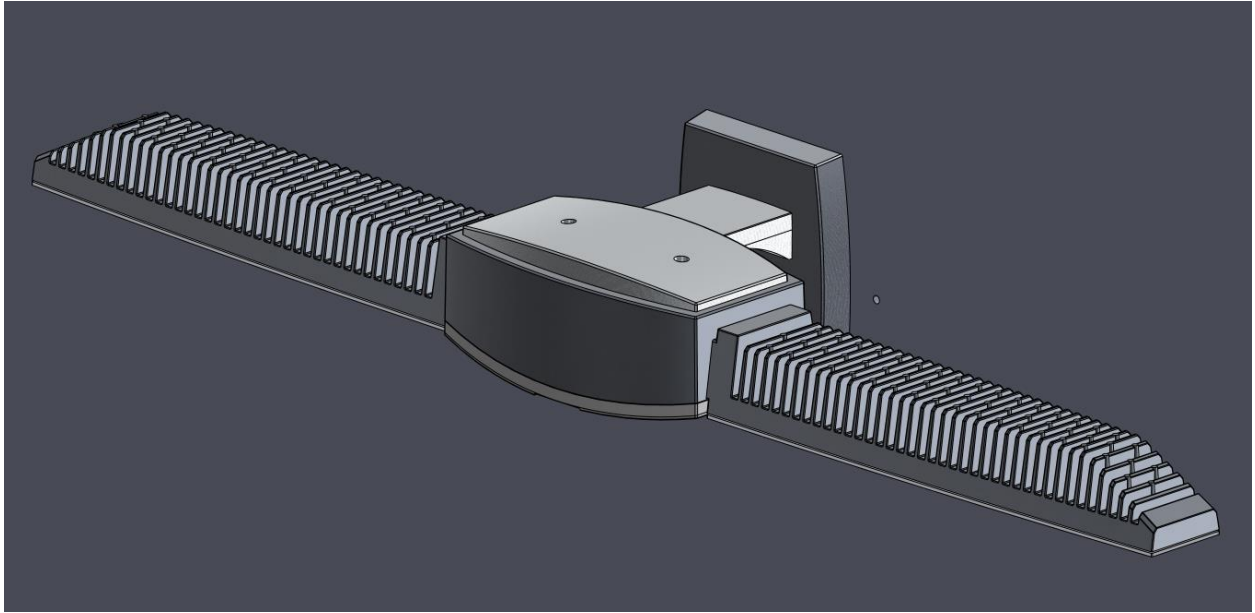


Figure 3: Final Assembly