



# V-Bollard

## LED Luminaire

V-Bollard is a high performance architectural LED luminaire to be used in outdoor lighting applications. Sleek design takes advantage of the low profile LED lamp technology. Superior thermal management allows for maximum LPW output. Cast aluminum construction provides years of reliable operation. Six different IES light distribution patterns make the V-Bollard ideal for any site.

#### Key Features:

- 6 Different Optics Available
- 16-48 LEDs in Single, up to 96 LEDs in the Double
- 350-1000MA
- Button Type Photocell
- Dimming
- 11,000+ Lumen Package

# V-Bollard LED

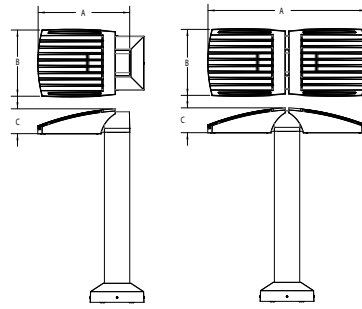
Project Name:

Catalog Number:

Type



## Dimensional Drawings



Fixture	A	B	C	Max. LEDs	Lbs
<b>VBL-1 Single</b>	14.5"	10.5"	4"	48	27
<b>VBL-1 Double</b>	25"	10.5"	4"	96	40



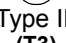

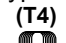

The new V-Bollard LED Series continues the unique contemporary design inspired by the sleek styling of the V Collection. Separating the Driver(s) from the individual cast aluminum LED engines: optimize the life of the LEDs and the Driver(s); and maximizes the lumen output of the fixture.

The LED light assemblies come in multiples of 16, 32 or 48 LEDs; and are offered in up to 96 LED's.

Six optical distribution patterns are available. Choose between 3000, 4000 or 5000 Kelvin temperature of the LED's.

A durable polyester powdercoat finish is guaranteed for five years; and is available in standard or custom colors.

The V-Bollard LED series is an exceptional choice for low level or pedestrian scale lighting applications.

Model	Height	Optics	Source	Config.	Current	Kelvin	Voltage	Mounting	Finish	Options
<b>VBL-1</b>	<b>36"</b> <b>(3)</b>	Type I <b>(T1)</b> 	<b># of LEDs</b> 16 <b>(16LC)</b> <small>*Not Available in double configuration</small>	Single <b>(S)</b>	<b>mA</b> 350 <b>(3)</b>	3000K <small>*Warm white</small> <b>(3K)</b>	120-277 <small>*Universal voltage</small> <b>(UNV)</b>	Anchor Base <small>(ANCHOR BOLT KIT SUPPLIED)</small> <b>(AB)</b>	Bronze <b>(BZ)</b>	Button Type Photocell <small>*Specify voltage</small> <b>(PC120) (PC208)</b> <b>(PC240) (PC277)</b>  0-10v Dimming Driver <small>No Controls</small> <b>(DIM)</b>
	<b>42"</b> <b>(3.5)</b>	Type II <b>(T2)</b> 	32 <b>(32LC)</b>	Double <b>(D)</b>	530 <b>(5)</b>	4000K <small>*Neutral white</small> <b>(4K)</b>	480 <b>(5)</b> <small>Not available in 16LC</small>		Black <b>(BK)</b>	
		Type III <b>(T3)</b> 	48 <b>(48LC)</b>	1000* <b>(10)</b>	5000K <small>*Cool white</small> <b>(5K)</b>	347 <b>(8)</b>	Smooth Black <b>(SBK)</b>			
		Type IV <b>(T4)</b> 	64 <b>(64LC)</b>				White <b>(WH)</b>			
		Type V <b>(T5)</b> 	96 <b>(96LC)</b>				Smooth White <b>(SWH)</b>			
		Type V-W <b>(T5W)</b> 					Graphite <b>(GP)</b>			
						Grey <b>(GY)</b>				
								Silver Metallic <b>(SL)</b>		
									Custom Color <b>(CC)</b>	

For more detailed information on mounting, wiring or installation instructions, please consult factory. If poles are not ordered with fixtures, please specify mounting requirements. This document contains proprietary information of Visionaire Lighting, LLC. Any use of this information requires the written approval of Visionaire Lighting, LLC. In keeping with our TQM policy of continuous improvement, Visionaire reserves the right to change any specifications contained herein without prior notice.

# V-Bollard LED

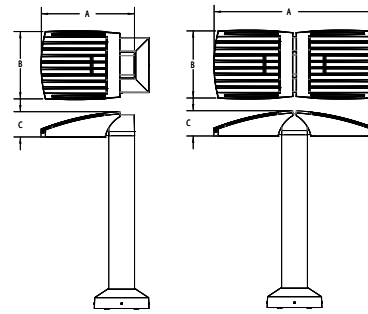
Project Name:

Catalog Number:

Type



## Dimensional Drawings



Fixture	A	B	C	Max. LEDs	Lbs
VBL-2 Single	14.5"	10.5"	4"	48	27
VBL-2 Double	25"	10.5"	4"	96	40

The new V-Bollard LED Series continues the unique contemporary design inspired by the sleek styling of the V Collection. Separating the Driver(s) from the individual cast aluminum LED engines: optimize the life of the LEDs and the Driver(s); and maximizes the lumen output of the fixture.

The LED light assemblies come in multiples of 16, 32 or 48 LEDs; and are offered in up to 96 LED's.

Six optical distribution patterns are available. Choose between 4000 or 5000 Kelvin temperature of the LED's.

A durable polyester powdercoat finish is guaranteed for five years; and is available in standard or custom colors.

The V-Bollard LED series is an exceptional choice for low level or pedestrian scale lighting applications.

Model	Height	Optics	Source	Config.	Current	Kelvin	Voltage	Mounting	Finish	Options
VBL-2	9 FT. (9)	Type I (T1)	# of LEDs 16 (16LC) <small>*Not Available in double configuration</small>	Single (S)	mA 350 (3)	3000K <small>*Warm white (3K)</small>	120-277 <small>*Universal voltage (UNV)</small>	Anchor Base <small>(ANCHOR BOLT KIT SUPPLIED)</small> (AB)	Bronze (BZ)	Button Type Photocell <small>*Specify voltage</small> (PC120) (PC208) (PC240) (PC277)  0-10v Dimming Driver <small>No Controls</small> (DIM)
	10 FT. (10)	Type II (T2)	32 (32LC)	Double (D)	530 (5)	4000K <small>*Neutral white (4K)</small>	480 (5) <small>Not available in 16LC</small>		Black (BK)	
	11 FT. (11)	Type III (T3)			700 (7)	5000K <small>*Cool white (5K)</small>	347 (8)		Smooth Black (SBK)	
		Type IV (T4)	48 (48LC) <small>*Not Available in double configuration</small>	1000* (10)			White (WH)			
		Type V (T5)	64 (64LC)				Smooth White (SWH)			
		Type V-W (T5W)	96 (96LC)				Graphite (GP)			
								Grey (GY)		
									Silver Metallic (SL)	
									Custom Color (CC)	

For more detailed information on mounting, wiring or installation instructions, please consult factory. If poles are not ordered with fixtures, please specify mounting requirements. This document contains proprietary information of Visionaire Lighting, LLC. Any use of this information requires the written approval of Visionaire Lighting, LLC. In keeping with our TQM policy of continuous improvement, Visionaire reserves the right to change any specifications contained herein without prior notice.