



V-Collection



V-Collection

The V-Collection of LED fixtures by Visionaire Lighting brings together the full spectrum of architectural lighting tools needed to fulfill any design requirements. From general area lighting, to specific design needs such as building lighting or sign lighting. Clean lines and a streamline look, complemented by striking design; reflect the modern eye for elegance with rugged construction. In the world of outdoor lighting, the V-Collection stands out with it's own brand of stylishness, helping each client realize their lighting vision.

Our contemporary form flows into pleasing colors energized with metallic finishes and subtle textures. In every detail, our products are made to go beautifully together in both form and function. Our advanced features are made to create great results, easily. You will make a statement with the quality of construction, beautiful architectural design and energy efficient technology.

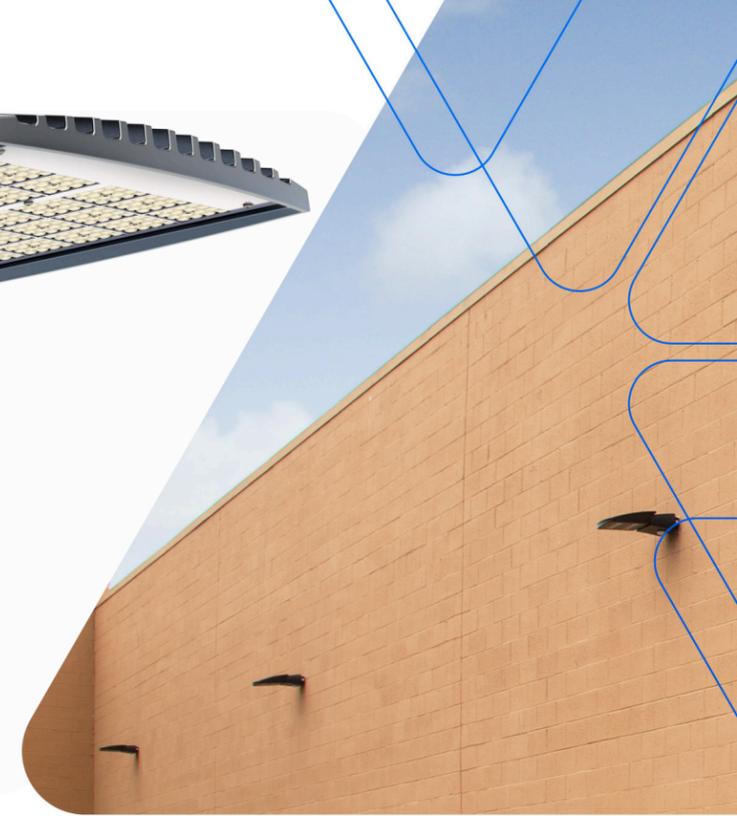
The V-Collection of LED products offers three sizes of area lighting products, from 16 to 192 LEDs, with a full range of optical distribution patterns, all in total scale with each other. Add to that family of products, the V-Sconce-II offering up to 48 LED with emergency battery pack, motion sensor and mounting options. A stylish V-Bollard family in single or double configurations allows for ground or pedestrian applications. Rounding out the architectural package, is the new VMF & VSF Flood Series with two sturdy mounting configurations and multiple beam distributions.



**VLX-XL
Array LED**



**V-Sconce-II
LED**



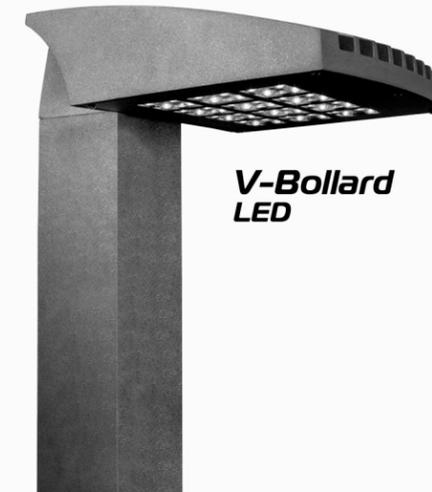
**VSF
LED**



**VSX
Array LED**



**VMX
Array LED**



**V-Bollard
LED**



**VMF
LED**





VLX-XL Array LED Luminaire

The new VLX-XL Array LED Series offers clean, functional styling that is defined by its sleek low profile design and rugged construction. It combines the latest LED performance and advanced LED thermal management technology, and provides lighting that is both energy efficient and aesthetically pleasing. Choose from 128 to 192 LED Arrays in one fixture size, that looks perfect with any of the LED configurations; thereby enabling the lighting designer to tailor the lighting to the application needs; while maintaining a uniform appearance throughout the entire project.

For general parking, pedestrian areas, and roadways; the VLX-XL Array LED series brings contemporary LED lighting design into the 21st century.

Fixture Construction

- Cast aluminum housing with integrated heat sink for maximum thermal management of the LEDs for extreme long life of the LEDs.
- Two piece cast mounting arm and driver compartment for ease of mounting, and driver maintenance.
- A pole mounting design that simplifies the installation of the fixture.
- Engineered optical assemblies with ten distribution patterns.

LED Technology

- 50,000 - 90,000 Lumen packages.
- 410 - 680 Wattage offerings.
- 3000, 4000 or 5000 Kelvin for natural or white light.
- Full cutoff optics available in ten distribution patterns.
- Add dimming controls for increased cost savings and project flexibility.

Applications

The VLX-XL Array LED Series is destined to become the standard for which LED area lights are measured. Simple flowing lines that house scalable LEDs that replace traditional HID fixtures; for a wide range of lighting applications. From shopping centers to auto dealerships; to general parking lots to roadways; the VLX-XL Array LED series is the transition of LED lighting into tomorrow.



VLX-XL Array LED Specifications

VLX-XL Array



Project Name:

Catalog Number:

Type:

The new **VLX-XL Array LED** Series offers clean, functional styling that is defined by its sleek low profile design and rugged construction. It combines the latest LED Array technology, advanced LED thermal management and provides outdoor lighting that is both energy efficient and aesthetically pleasing.

The LED Arrays performance and the driver's life are maximized by enclosing them in two separate die cast aluminum housings. Easy tool-less access for mounting and maintenance.

The VLX-XL Array LED fixture is offered with lumen packages ranging from 55,000 - 90,000. Choose between 3000, 4000 or 5000 Kelvin temperature of the LEDs.

A durable polyester powder coat finish is guaranteed for five years; and is available in standard or custom colors.

The **VLX-XL Array LED** series is an exceptional choice for commercial parking lots, office complexes, architectural projects, and other general lighting projects.

Ordering Information

MODEL	OPTICS	LUMENS	KELVIN	VOLTAGE	MOUNTING	FINISH	OPTIONS	OPTIONS
VLX-XL	T1 Type 1	55L	3K 3000K	UNV 120-277V	AM Arm Mount	BZ Bronze	PCR-120 Photocell & Receptacle	RPP3 For 3"Ø Pole - Round Pole Plate Adaptor
	T2 Type 2	60L	4K 4000K	8 347V	Round Pole Plate Adaptors (RPP) are to be ordered separately.	BK Black	PCR-208 Photocell & Receptacle	RPP4 For 4"Ø Pole - Round Pole Plate Adaptor
	T3 Type 3	70L	5K 5000K	5 480V		SBK Smooth Black	PCR-240 Photocell & Receptacle	RPP5 For 5"Ø Pole - Round Pole Plate Adaptor
	T3L Type 3 Long	80L				WH White	PCR-277 Photocell & Receptacle	ROT-R Rotated Optics Right Side
	T4 Type 4	90L				SWH Smooth White	PCR-347 Photocell & Receptacle	ROT-L Rotated Optics Left Side
	T4L Type 4 Long					GP Graphite	PCR-480 Photocell & Receptacle	PER 3 Pin Photo Receptacle w/shorting cap
	T4A Type 4 Automotive					GY Grey	5PINPER 5 Pin Photo Receptacle w/shorting cap Requires Dimming Driver	CLS Cut-Off Louver Shield
	T5SR Type 5 Short Round					SL Silver Metallic	7PINPER 7 Pin Photo Receptacle w/shorting cap Requires Dimming Driver	HSS House Side Shield
	T5LR Type 5 Long Round					CC Custom Color	DIM 0-10v Dimming Driver	VWC Visionaire Wireless Controls * Consult Factory
	T5LS Type 5 Long Square						WSC-8 Motion Sensor 8' Mounting Height	
							WSC-20 Motion Sensor 9-20' Mounting Height	
							WSC-40 Motion Sensor 21-40' Mounting Height	

This option will require (1) FSIR 100 remote for programming

Features & Specifications

Heatsink

Die cast aluminum heatsink with integral cooling fins for thermal management.

Mounting Arm/Driver Compartment

Durable two-piece cast aluminum driver compartment sealed with a one-piece silicone gasket.

Thermal Management

The VLX-XL Array series provides excellent thermal management by mounting the LED Arrays to the substantial heat sink of the housing. This enables the Luminaire to withstand higher ambient temperatures and driver currents without degrading LED life.

The L70 test determines the point in an LEDs life when it reaches 70 percent of its initial output. The VLX-XL Array series LEDs have been determined to last 90,000+ hours in 25° C environments when driven at 1400 mA.

Optical System

The highest lumen output LED Arrays are utilized in the VLX-XL Array series. IES distribution Types II, III, IV and V are available. The optical system qualifies as IES full cutoff to restrict light trespass, glare and light pollution.

CRI values are 70.

New LED Array Technology

4 Diodes now replace a single Led chip and operate at 25% of the drive current allowing for higher efficiency, less heat and longer life. (10 Year Warranty)

More LEDs at a lower drive current provides a more comfortable visual effect.

Quali-Guard® Finish

The finish is a Quali-Guard® textured, chemically pretreated through a multiple-stage washer, electrostatically applied, thermoset polyester powder coat finish, with a minimum of 3-5 millimeter thickness. Finish is oven-baked at 400° F to promote maximum adherence and finish hardness. All finishes are available in standard and custom colors.

Finish is guaranteed for five (5) years.

Electrical Assembly

The VLX-XL Array LED series is supplied with a choice of either 1080 or 1120 mA high-performance LED drivers that accept 120v thru 480v, 50 Hz to 60 Hz, input. Power factor of 90%.

- Rated for -40°C operations.
- 10 kV surge protector supplied as standard.
- Terminal block supplied as standard.

Warranty

Ten (10) year Limited Warranty on electrical components, Five (5) year on finish. For full warranty information, please visit visionairelighting.com.

Options

- Photocell & receptacle
- Photo receptacle w/ shorting cap
- 0-10v Dimming Driver
- Motion Sensor
- Wireless Control
- Round pole plate adapter
- Rotated Optics
- Cutoff Shielding

Listings

- The VLX-XL Array Series is cUL Listed
- IP65 Rated Housing
- ANSI Certification
- Powder Coated Tough
- IDA Certification

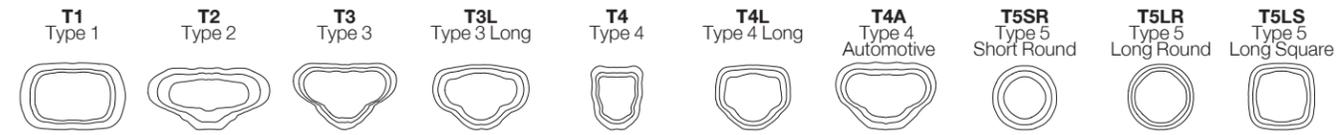


3000K must be selected with a fixed mount for IDA certification.

VLX-XL ARRAY - ELECTRICAL LOAD (A)							
Ordering Nomenclature	System Watts	120	208	240	277	347	480
VLX-XL-1-T5LS-55L	410	3.42	1.97	1.71	1.48	1.18	0.85
VLX-XL-1-T5LS-60L	460	3.83	2.21	1.92	1.66	1.33	0.96
VLX-XL-1-T5LS-70L	540	4.50	2.60	2.25	1.95	1.56	1.13
VLX-XL-1-T5LS-80L	610	5.08	2.93	2.54	2.20	1.76	1.27
VLX-XL-1-T5LS-90L	680	5.67	3.27	2.83	2.45	1.96	1.42

VLX-XL Array LED Specifications

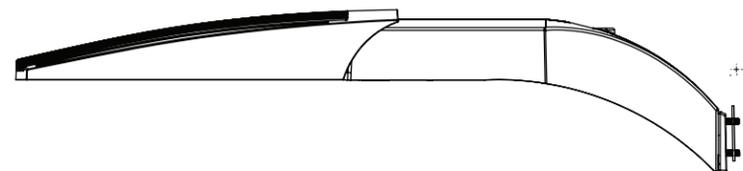
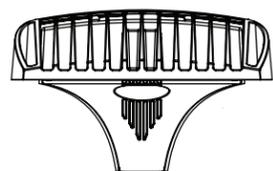
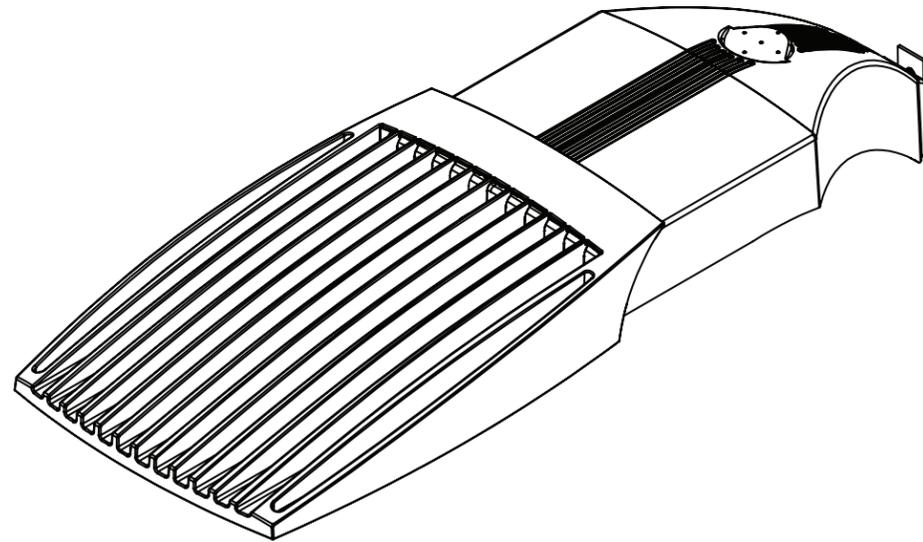
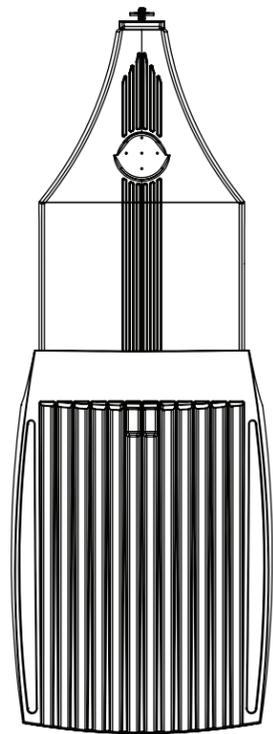
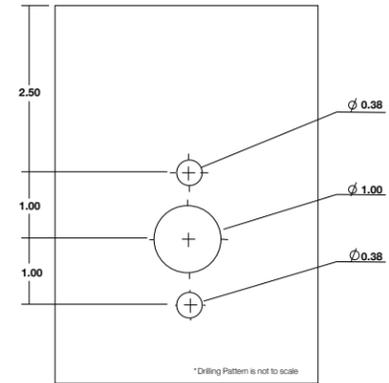
Photometric Optical Summary



EPA Data	T1 Type 1	T2 Type 2	T3 Type 3	T3L Type 3 Long	T4 Type 4	T4L Type 4 Long	T4A Type 4 Automotive	T5SR Type 5 Short Round	T5LR Type 5 Long Round	T5LS Type 5 Long Square
	0.75	1.47	1.5	2.22	2.1	2.22				

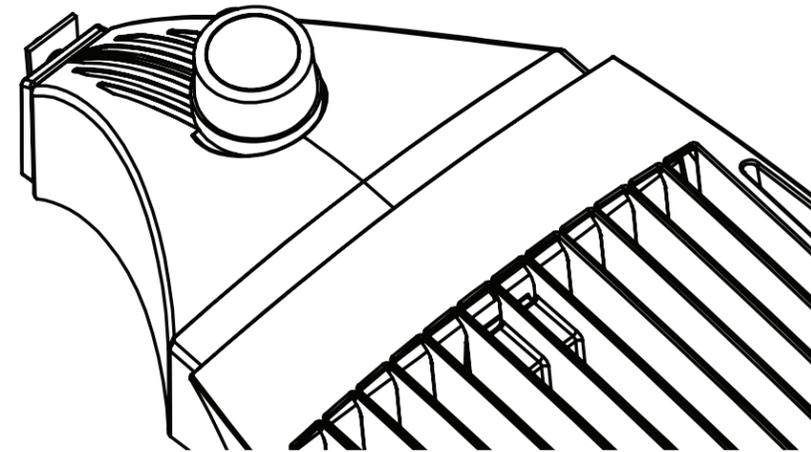
Dimensions

Width:	VLX-XL 16.5"
Depth:	VLX-XL 44.6"
Height:	VLX-XL 4.39"
Overall Height:	VLX-XL 10.25"
Weight:	64 LBS



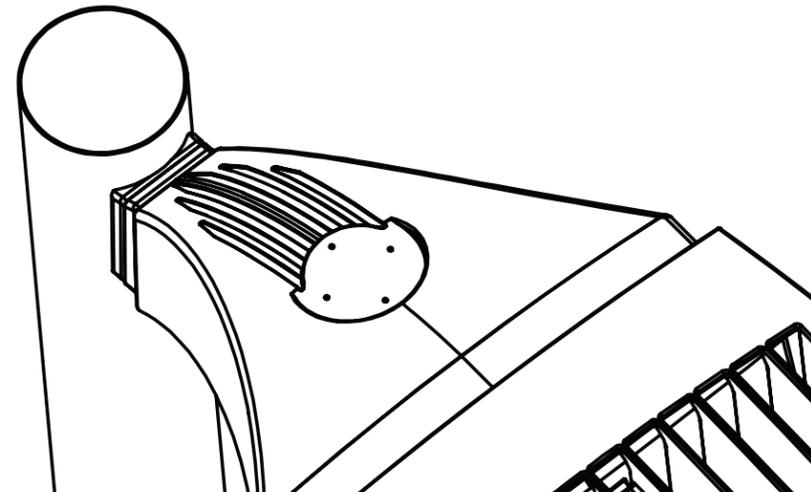
Twist lock Photocell & Receptacle

Dusk to dawn sensor.

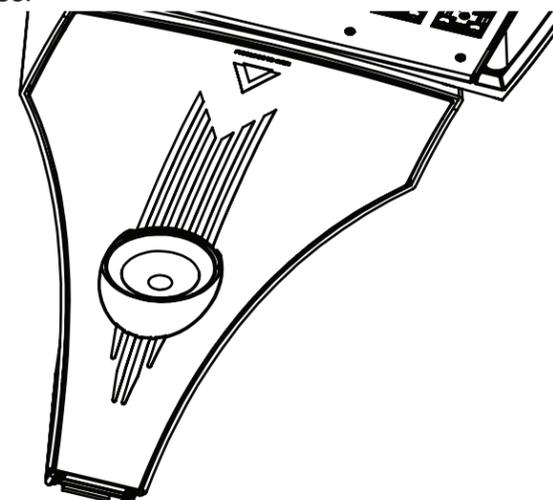


Round Pole Plate Adaptor

Round Pole Plate Adaptor to be used with round pole.



Motion Sensor



The FSP-211 by Legrand is integrated into the VLX housing and provides multi-level control based on motion and/or daylight contribution.

Lens Coverage Patterns:
 - WSC-8 - 360° lens, maximum coverage 48'; diameter from 8' height
 - WSC-20 - 360° lens, maximum coverage 48'; diameter from 20' height
 - WSC-40 - 360° lens, maximum coverage 100'; diameter from 40' height

Default settings:	
FACTORY DEFAULTS High Mode	0 Volts
Low Mode	1 Volts
Time Delay	5 Minutes
Cut Off	1 Hour
Sensitivity	Maximum
Hold Off Set point	4 Foot
Candles	
Ramp Up	None
Fade Down	None
Force Off Set point with Occupied	Disable

VLX-XL LUMEN CHART 3K													
Lumen	Current (mA)	#LED	T1	T2	T3	T3L	T4	T4A	T4L	T5LR	T5LS	T5SR	Wattage
55L	1120	128	53,200	53,070	52,723	51,423	51,683	53,894	51,336	51,726	53,027	54,371	410
60L	1200	128	58,719	58,575	58,192	51,423	57,044	59,484	56,661	57,092	58,527	60,011	460
70L	1120	160	68,731	68,563	68,114	66,434	66,770	69,627	66,322	66,826	68,507	70,243	540
80L	1080	192	77,773	77,582	77,075	75,174	75,554	78,787	75,047	75,617	77,519	79,484	610
90L	1200	192	84,096	83,891	83,342	81,286	81,697	85,193	81,149	81,766	83,822	85,947	680
VLX-XL LUMEN CHART 4K													
Lumen	Current (mA)	#LED	T1	T2	T3	T3L	T4	T4A	T4L	T5LR	T5LS	T5SR	Wattage
55L	1120	128	57,573	57,432	57,056	55,649	55,930	58,323	55,555	55,977	57,385	58,839	410
60L	1200	128	63,544	63,389	62,975	61,421	61,732	64,373	61,318	61,784	63,337	64,943	460
70L	1120	160	74,379	74,197	73,712	71,894	72,257	75,349	71,772	72,318	74,137	76,016	540
80L	1080	192	84,164	83,958	83,410	81,352	81,763	85,262	81,215	81,832	83,890	86,016	610
90L	1200	192	91,007	90,785	90,191	87,966	88,411	92,194	87,818	88,486	90,711	93,010	680
VLX-XL LUMEN CHART 5K													
Lumen	Current (mA)	#LED	T1	T2	T3	T3L	T4	T4A	T4L	T5LR	T5LS	T5SR	Wattage
55L	1120	128	58,808	58,665	58,281	56,843	57,131	59,575	56,747	57,179	58,617	60,102	410
60L	1200	128	64,908	64,750	64,326	62,739	63,057	65,755	62,634	63,110	64,697	66,337	460
70L	1120	160	75,976	75,790	75,295	73,437	73,808	76,966	73,313	73,870	75,728	77,647	540
80L	1080	192	85,971	85,760	85,200	83,098	83,518	87,092	82,958	83,588	85,690	87,862	610
90L	1200	192	92,961	92,734	92,127	89,855	90,309	94,173	89,703	90,385	92,658	95,006	680

VLX-XL LUMEN PER WATT CHART 3K													
Lumen	Current (mA)	#LED	T1	T2	T3	T3L	T4	T4A	T4L	T5LR	T5LS	T5SR	Wattage
55L	1120	128	131	131	130	127	127	133	126	127	130	134	410
60L	1200	128	127	126	126	122	123	128	122	123	126	129	460
70L	1120	160	127	127	126	123	123	129	123	124	127	130	540
80L	1080	192	128	128	127	124	124	130	124	125	128	131	610
90L	1200	192	124	123	123	120	120	125	119	120	123	126	680
VLX-XL LUMEN PER WATT CHART 4K													
Lumen	Current (mA)	#LED	T1	T2	T3	T3L	T4	T4A	T4L	T5LR	T5LS	T5SR	Wattage
55L	1120	128	140	140	139	136	136	142	136	137	140	144	410
60L	1200	128	136	136	135	131	132	138	131	132	135	139	460
70L	1120	160	136	136	135	132	132	138	132	133	136	139	540
80L	1080	192	137	137	136	133	134	139	133	134	137	140	610
90L	1200	192	133	132	132	128	129	134	128	129	132	136	680
VLX-XL LUMEN PER WATT CHART 5K													
Lumen	Current (mA)	#LED	T1	T2	T3	T3L	T4	T4A	T4L	T5LR	T5LS	T5SR	Wattage
55L	1120	128	144	143	143	139	140	146	139	140	143	147	410
60L	1200	128	139	139	138	135	135	141	134	135	139	142	460
70L	1120	160	141	140	139	136	137	143	136	137	140	144	540
80L	1080	192	140	139	138	135	136	141	135	136	139	143	610
90L	1200	192	136	136	135	131	132	138	131	132	136	139	680



VLX Array LED Luminaire

The new **VLX Array LED** Series offers clean, functional styling defined by its sleek low profile design and rugged construction. It combines LED performance and advanced LED thermal management technology and provides outdoor lighting that is both energy efficient and aesthetically pleasing.

The LED's performance and the driver's life are maximized by enclosing them in two separate cast aluminum housings. A durable polyester powder coat finish is guaranteed for five years and is available in standard or custom colors. The **VLX Array LED** series is an exceptional choice for commercial parking lots, office complexes, architectural projects, and other general lighting projects.

Fixture Construction

- Cast aluminum housing with integrated heat sink for maximum thermal management of the LEDs for extreme long life of the LEDs.
- Two piece cast mounting arm and driver compartment for ease of mounting, and driver maintenance.
- A pole mounting design that simplifies the installation of the fixture.
- Engineered optical assemblies with ten distribution patterns.

LED Technology

- 54,000 - 76,000 Lumen packages.
- 388 - 565 Wattage offerings.
- 3000, 4000 or 5000 Kelvin for natural or white light.
- Ten specification-grade optics
- Add dimming controls for increased cost savings and project flexibility.
- Cut-off shielding

Applications

The VLX Array LED Series is destined to become the standard for which LED area lights are measured. Simple flowing lines that house scalable LEDs that replace traditional HID fixtures; for a wide range of lighting applications. From shopping centers to auto dealerships; to general parking lots to roadways; the VLX Array LED series is the transition of LED lighting into tomorrow.





Project Name: _____

Catalog Number: _____

Type: _____

The new **VLX Array LED** Series offers clean, functional styling that is defined by its sleek low profile design and rugged construction. It combines the latest LED Array technology, advanced LED thermal management and provides outdoor lighting that is both energy efficient and aesthetically pleasing.

The LED Arrays performance and the driver's life are maximized by enclosing them in two separate die cast aluminum housings. Easy tool-less access for mounting and maintenance.

The LED Array light assembly comes with 192 LED Arrays, with lumen packages ranging from 54,000-76,000 lumens. Ten optical distribution patterns are available. Choose between 3000, 4000 or 5000 Kelvin temperature of the LEDs.

A durable polyester powder coat finish is guaranteed for five years; and is available in standard or custom colors.

The **VLX Array LED** series is an exceptional choice for commercial parking lots, office complexes, architectural projects, and other general lighting projects.

Ordering Information

MODEL	OPTICS	LUMENS	KELVIN	VOLTAGE	MOUNTING	FINISH	OPTIONS	OPTIONS
VLX-1	T1 Type 1	55L	3K 3000K	UNV 120-277V	AM Arm Mount	GY Grey	PCR-120 PCR-208 PCR-240 PCR-277 PCR-347 PCR-480 Photocell & Receptacle	RPP3 RPP4 RPP5 For 3", 4", or 5" Ø Pole - Round Pole Plate Adaptor
	T2 Type 2	60L	4K 4000K	8 347V	WM Wall Mount	SL Silver Metallic	(3,5,7) PINPER 3, 5, or 7 Pin Photo Receptacle w/shorting cap	UPMA-S Universal Square Pole Mount Adaptor
	T3 Type 3	65L	5K 5000K	5 480V		BK Black	DIM 0-10v Dimming Driver	UPMA-R Universal Round Pole Mount Adaptor
	T3L Type 3 Long	75L				SBK Smooth Black	WSC-8 Motion Sensor 8' Mounting Height	BAWP Cast Wall Plate
	T4 Type 4					WH White	WSC-20 Motion Sensor 9-20' Mounting Height	ROT-R Rotated Optics Right Side
	T4A Type 4 Automotive					SWH Smooth White	WSC-40 Motion Sensor 21-40' Mounting Height This option will require (1) FSIR 100 remote for programming	ROT-L Rotated Optics Left Side
	T4L Type 4 Long					BZ Bronze	CLS Back Side Cutoff Louver Shield	RCLS Right Side Cutoff Louver Shield
	T5LR Type 5 Long Round					GP Graphite	VWC Visionaire Wireless Controls *Consult Factory	LCLS Left Side Cutoff Louver Shield
	T5LS Type 5 Long Square					CC Custom Color		
	T5SR Type 5 Short Round							

Features & Specifications

Heatsink

• Die cast aluminum heatsink with integral cooling fins for thermal management.

Mounting Arm/Driver Compartment

• Durable two-piece die cast aluminum driver compartment utilizes a tool-less push button latch for ease of maintenance and sealed with a one-piece silicone gasket.

Thermal Management

• The VLX Array series provides excellent thermal management by mounting the LED Arrays to the substantial heat sink of the housing. This enables the Luminaire to withstand higher ambient temperatures and driver currents without degrading LED life.

• The L70 test determines the point in an LEDs life when it reaches 70 percent of its initial output. The VLX Array series LEDs have been determined to last 90,000+ hours in 25° C environments when driven at 1400 mA.

Optical System

• The highest lumen output LED Arrays are utilized in the VLX Array series. IES distribution Types I, II, III, III-L, IV, IV-A, IV-L, V-LR, V-LS, and V-SR are available. The optical system qualifies as IES full cutoff to restrict light trespass, glare and light pollution.

• CRI values are 70.

New LED Array Technology

• 4 Diodes now replace a single Led chip and operate at 25% of the drive current allowing for higher efficiency, less heat and longer life. (10 Year Warranty)

• More LEDs at a lower drive current provides a more comfortable visual effect.

Quali-Guard® Finish

• The finish is a Quali-Guard® textured, chemically pretreated through a multiple-stage washer, electrostatically applied, thermoset polyester powder coat finish, with a minimum of 3-5 millimeter thickness. Finish is oven-baked at 400° F to promote maximum adherence and finish hardness. All finishes are available in standard and custom colors.

• Finish is guaranteed for ten (10) years.

Electrical Assembly

• The VLX Array LED series is supplied with a choice of 350, 530, 700, 1050 mA high-performance LED drivers that accept 120v thru 480v, 50 Hz to 60 Hz, input. Power factor of 90%. Rated for -40°C operations.

• 10 kV surge protector supplied as standard.

• Terminal block supplied as standard.

Warranty

• Ten (10) year Limited Warranty on entire system, including finish. For full warranty information, please visit visionairelighting.com.

Options

- Photocell & receptacle
- Photo receptacle
- 0-10v Dimming Driver
- Motion Sensor
- Wireless Control
- Round pole plate adapter
- Universal Pole Mount Adaptor
- Cast Wall Plate
- Cut-Off Louver Shield
- Rotated Optics

Listings

- The VLX Array Series is cUL Listed
- IP65 Rated Housing
- ANSI Certification
- Powder Coated Tough
- IDA Certification

3000K must be selected with a fixed mount for IDA certification.



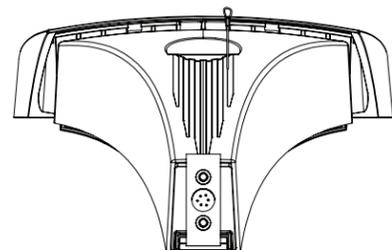
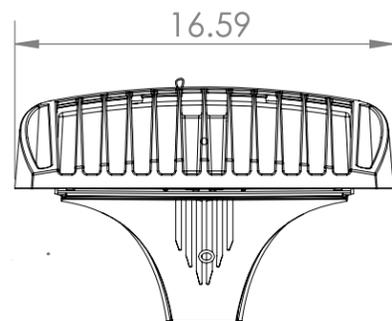
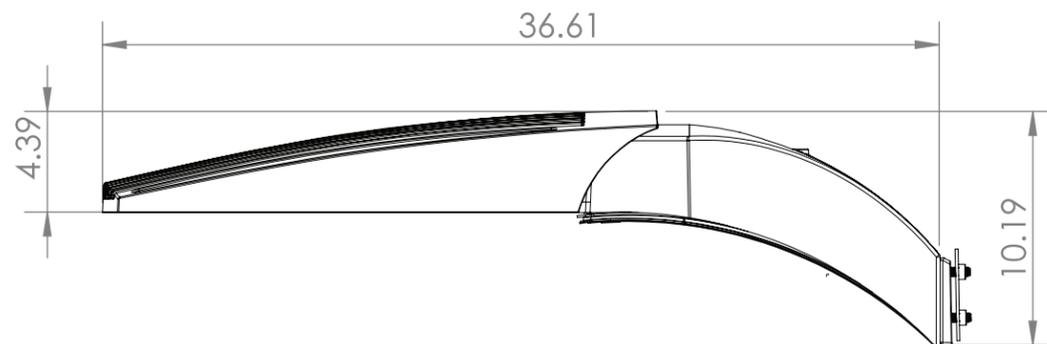
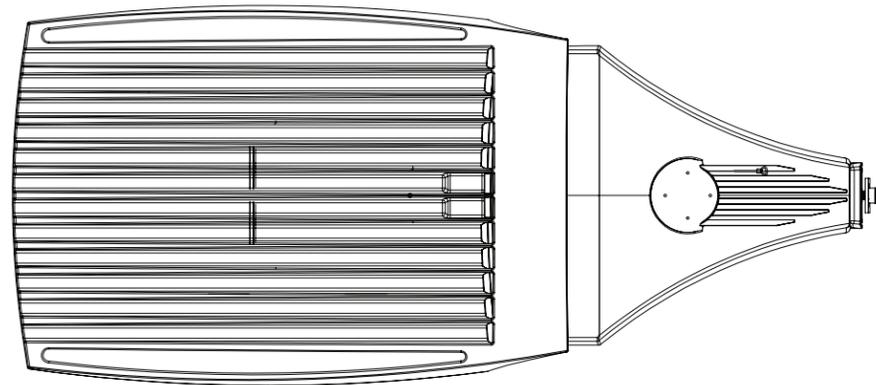
VLX ARRAY - ELECTRICAL LOAD (A)							
Ordering Nomenclature	System Watts	120	208	240	277	347	480
VLX-1-T5LS-55L	388	3.23	1.87	1.62	1.40	1.12	0.81
VLX-1-T5LS-60L	444	3.70	2.13	1.85	1.60	1.28	0.93
VLX-1-T5LS-70L	501	4.18	2.41	2.09	1.81	1.44	1.04
VLX-1-T5LS-75L	565	4.71	2.72	2.35	2.04	1.63	1.18

Photometric Optical Summary



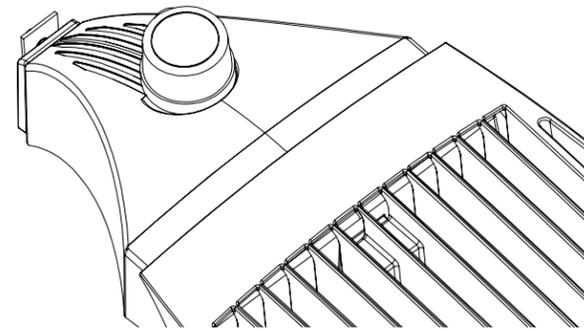
Dimensions

Width:	VLX-1 16.5"
Depth:	VLX-1 36.6"
Height:	VLX-1 4.39"
Overall Height:	VLX-1 10.19"
Weight:	58 LBS



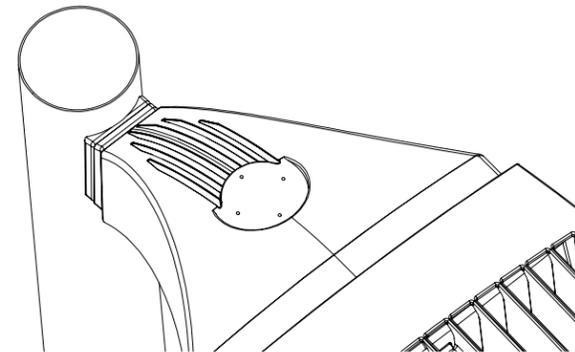
Twist lock Photocell & Receptacle

Dusk to dawn sensor.

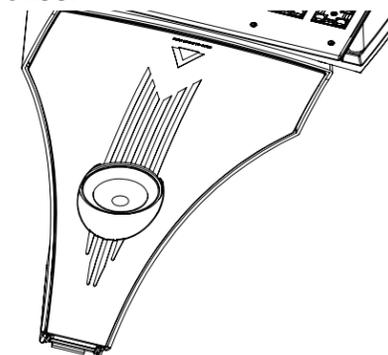


Round Pole Plate Adaptor

Round Pole Plate Adaptor to be used with round pole.



Motion Sensor

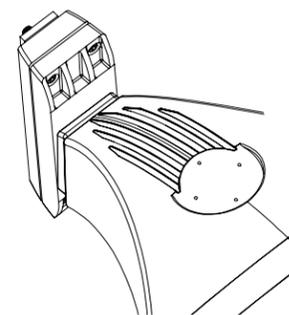


The FSP-211 by Legrand is integrated into the VLX housing and provides multi-level control based on motion and/or daylight contribution.
 Lens Coverage Patterns:
 WSC-8 - 360° lens, maximum coverage 48'; diameter from 8' height
 WSC-20 - 360° lens, maximum coverage 48'; diameter from 20' height
 WSC-40 -360° lens, maximum coverage 100'; diameter from 40' height

Default settings:	
FACTORY DEFAULTS High Mode	0 Volts
Low Mode	1 Volts
Time Delay	5 Minutes
Cut Off	1 Hour
Sensitivity	Maximum
Hold Off Set point	4 Foot Candles
Ramp Up	None
Fade Down	None
Force Off Set point with Occupied	Disable

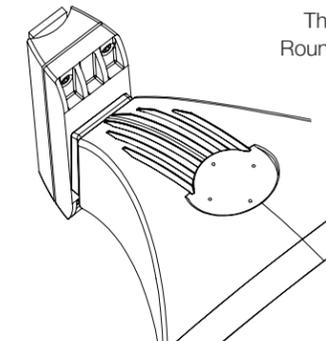
UPMA

The Universal Pole Mount Adaptor is ideal for retrofit applications with existing square poles. This adaptor is slotted to fit any existing drilling pattern, up to 6 1/2" bolt to bolt maximum.



UPMA-R

The Universal Pole Mount Adaptor Round is ideal for retrofit applications with existing round poles. This adaptor is slotted to fit any existing drilling pattern, up to 6 1/2" bolt to bolt maximum.



VLX ARRAY LUMEN CHART - 3K													
# LEDs	Current (mA)	K Lumen	T1	T2	T3	T3L	T4	T4A	T4L	T5LR	T5LS	T5SR	Wattage
192AR	700	55L	52191	51808	50363	45516	51180	52819	46412	50261	52041	53885	388
	800	60L	58603	58173	56550	51108	57468	59308	52114	56436	58435	60506	444
	900	65L	64846	64370	62574	56552	63589	65626	57665	62448	64659	66951	501
	1000	75L	70533	70015	68062	61512	69166	71382	62723	67925	70330	72822	565
VLX ARRAY LUMEN CHART - 4K													
# LEDs	Current (mA)	K Lumen	T1	T2	T3	T3L	T4	T4A	T4L	T5LR	T5LS	T5SR	Wattage
192AR	700	55L	54287	53889	52385	47344	53235	54940	48276	52279	54131	56049	388
	800	60L	60956	60509	58821	53160	59775	61690	54207	58702	60781	62935	444
	900	65L	67449	66955	65087	58823	66143	68261	59981	64955	67256	69639	501
	1000	75L	73365	72827	70795	63982	71943	74248	65241	70652	73154	75746	565
VLX ARRAY LUMEN CHART - 5K													
# LEDs	Current (mA)	K Lumen	T1	T2	T3	T3L	T4	T4A	T4L	T5LR	T5LS	T5SR	Wattage
192AR	700	55L	55011	54608	53084	47975	53945	55673	48920	52977	54853	56797	388
	800	60L	61770	61317	59606	53869	60573	62513	54930	59486	61592	63775	444
	900	65L	68350	67848	65955	59608	67025	69172	60781	65822	68153	70568	501
	1000	75L	74344	73799	71740	64835	72904	75238	66112	71595	74130	76757	565
VLX ARRAY LUMEN PER WATT CHART - 3K													
# LEDs	Current (mA)	K Lumen	T1	T2	T3	T3L	T4	T4A	T4L	T5LR	T5LS	T5SR	Wattage
192AR	700	55L	135	134	130	117	132	136	120	130	134	139	388
	800	60L	132	131	127	115	130	134	117	127	132	136	444
	900	65L	129	128	125	113	127	131	115	125	129	134	501
	1000	75L	125	124	120	109	122	126	111	120	124	129	565
VLX ARRAY LUMEN PER WATT CHART - 4K													
# LEDs	Current (mA)	K Lumen	T1	T2	T3	T3L	T4	T4A	T4L	T5LR	T5LS	T5SR	Wattage
192AR	700	55L	140	139	135	122	137	142	124	135	140	144	388
	800	60L	137	136	133	120	135	139	122	132	137	142	444
	900	65L	135	134	130	117	132	136	120	130	134	139	501
	1000	75L	130	129	125	113	127	131	115	125	129	134	565
VLX ARRAY LUMEN PER WATT CHART - 5K													
# LEDs	Current (mA)	K Lumen	T1	T2	T3	T3L	T4	T4A	T4L	T5LR	T5LS	T5SR	Wattage
192AR	700	55L	142	141	137	124	139	144	126	137	141	146	388
	800	60L	139	138	134	121	137	141	124	134	139	144	444
	900	65L	136	135	132	119	134	138	121	131	136	141	501
	1000	75L	132	131	127	115	129	133	117	127	131	136	565

VLX ARRAY BUG CHART - 3K																																	
# LEDs	Current (mA)	K Lumen	T1			T2			T3			T3L			T4			T4A			T4L			T5LR			T5LS			T5SR			Wattage
			B	U	G	B	U	G	B	U	G	B	U	G	B	U	G	B	U	G	B	U	G	B	U	G	B	U	G	B	U	G	
192AR	700	55L	5	0	5	5	0	5	4	0	5	5	0	5	5	0	5	5	0	4	5	0	5	5	0	5	5	0	5	5	0	4	388
	800	60L	5	0	5	5	0	5	5	0	5	5	0	5	5	0	5	5	0	4	5	0	5	5	0	5	5	0	5	5	0	4	444
	900	65L	5	0	5	5	0	5	5	0	5	5	0	5	5	0	5	5	0	4	5	0	5	5	0	5	5	0	5	5	0	4	501
	1000	75L	5	0	5	5	0	5	5	0	5	5	0	5	5	0	5	5	0	4	5	0	5	5	0	5	5	0	5	5	0	4	565
VLX ARRAY BUG CHART - 4K																																	
# LEDs	Current (mA)	K Lumen	T1			T2			T3			T3L			T4			T4A			T4L			T5LR			T5LS			T5SR			Wattage
			B	U	G	B	U	G	B	U	G	B	U	G	B	U	G	B	U	G	B	U	G	B	U	G	B	U	G	B	U	G	
192AR	700	55L	5	0	5	5	0	5	5	0	5	5	0	5	5	0	5	5	0	4	5	0	5	5	0	5	5	0	5	5	0	5	388
	800	60L	5	0	5	5	0	5	5	0	5	5	0	5	5	0	5	5	0	4	5	0	5	5	0	5	5	0	5	5	0	5	444
	900	65L	5	0	5	5	0	5	5	0	5	5	0	5	5	0	5	5	0	4	5	0	5	5	0	5	5	0	5	5	0	5	501
	1000	75L	5	0	5	5	0	5	5	0	5	5	0	5	5	0	5	5	0	5	5	0	5	5	0	5	5	0	5	5	0	5	565
VLX ARRAY BUG CHART - 5K																																	
# LEDs	Current (mA)	K Lumen	T1			T2			T3			T3L			T4			T4A			T4L			T5LR			T5LS			T5SR			Wattage
			B	U	G	B	U	G	B	U	G	B	U	G	B	U	G	B	U	G	B	U	G	B	U	G	B	U	G	B	U	G	
192AR	700	55L	5	0	5	5	0	5	5	0	5	5	0	5	5	0	5	5	0	5	5	0	5	5	0	5	5	0	5	5	0	5	388
	800	60L	5	0	5	5	0	5	5	0	5	5	0	5	5	0	5	5	0	5	5	0	5	5	0	5	5	0	5	5	0	5	444
	900	65L	5	0	5	5	0	5	5	0	5	5	0	5	5	0	5	5	0	5	5	0	5	5	0	5	5	0	5	5	0	5	501
	1000	75L	5	0	5	5	0	5	5	0	5	5	0	5	5	0	5	5	0	5	5	0	5	5	0	5	5	0	5	5	0	5	565

VLX ARRAY LUMEN CHART - 3K											
K Lumen	T1	T2	T3	T3L	T4	T4A	T4L	T5LR	T5LS	T5SR	Wattage
55L	52191	51808	50363	45516	51180	52819	46412	50261	52041	53885	388
60L	58603	58173	56550	51108	57468	59308	52114	56436	58435	60506	444
70L	64846	64370	62574	56552	63589	65626	57665	62448	64659	66951	501
80L	70533	70015	68062	61512	69166	71382	62723	67925	70330	72822	565
VLX ARRAY LUMEN CHART - 4K											
K Lumen	T1	T2	T3	T3L	T4	T4A	T4L	T5LR	T5LS	T5SR	Wattage
55L	54287	53889	52385	47344	53235	54940	48276	52279	54131	56049	388
60L	60956	60509	58821	53160	59775	61690	54207	58702	60781	62935	444
70L	67449	66955	65087	58823	66143	68261	59981	64955	67256	69639	501
80L	73365	72827	70795	63982	71943	74248	65241	70652	73154	75746	565
VLX ARRAY LUMEN CHART - 5K											
K Lumen	T1	T2	T3	T3L	T4	T4A	T4L	T5LR	T5LS	T5SR	Wattage
55L	55011	54608	53084	47975	53945	55673	48920	52977	54853	56797	388
60L	61770	61317	59606	53869	60573	62513	54930	59486	61592	63775	444
70L	68350	67848	65955	59608	67025	69172	60781	65822	68153	70568	501
80L	74344	73799	71740	64835	72904	75238	66112	71595	74130	76757	565
VLX ARRAY LUMEN PER WATT CHART - 3K											
K Lumen	T1	T2	T3	T3L	T4	T4A	T4L	T5LR	T5LS	T5SR	Wattage
55L	135	134	130	117	132	136	120	130	134	139	388
60L	132	131	127	115	130	134	117	127	132	136	444
70L	129	128	125	113	127	131	115	125	129	134	501
80L	125	124	120	109	122	126	111	120	124	129	565
VLX ARRAY LUMEN PER WATT CHART - 4K											
K Lumen	T1	T2	T3	T3L	T4	T4A	T4L	T5LR	T5LS	T5SR	Wattage
55L	140	139	135	122	137	142	124	135	140	144	388
60L	137	136	133	120	135	139	122	132	137	142	444
70L	135	134	130	117	132	136	120	130	134	139	501
80L	130	129	125	113	127	131	115	125	129	134	565
VLX ARRAY LUMEN PER WATT CHART - 5K											
K Lumen	T1	T2	T3	T3L	T4	T4A	T4L	T5LR	T5LS	T5SR	Wattage
55L	142	141	137	124	139	144	126	137	141	146	388
60L	139	138	134	121	137	141	124	134	139	144	444
70L	136	135	132	119	134	138	121	131	136	141	501
80L	132	131	127	115	129	133	117	127	131	136	565

VLX ARRAY BUG CHART - 3K																																		
K Lumen	T1			T2			T3			T3L			T4			T4A			T4L			T5LR			T5LS			T5SR			Wattage			
	B	U	G	B	U	G	B	U	G	B	U	G	B	U	G	B	U	G	B	U	G	B	U	G	B	U	G	B	U	G				
55L	5	0	5	5	0	5	4	0	5	5	0	5	5	0	5	5	0	4	5	0	5	5	0	5	5	0	5	5	0	4	388			
60L	5	0	5	5	0	5	5	0	5	5	0	5	5	0	5	5	0	4	5	0	5	5	0	5	5	0	5	5	0	4	444			
70L	5	0	5	5	0	5	5	0	5	5	0	5	5	0	5	5	0	4	5	0	5	5	0	5	5	0	5	5	0	4	501			
80L	5	0	5	5	0	5	5	0	5	5	0	5	5	0	5	5	0	4	5	0	5	5	0	5	5	0	5	5	0	4	565			
VLX ARRAY BUG CHART - 4K																																		
K Lumen	T1			T2			T3			T3L			T4			T4A			T4L			T5LR			T5LS			T5SR			Wattage			
	B	U	G	B	U	G	B	U	G	B	U	G	B	U	G	B	U	G	B	U	G	B	U	G	B	U	G	B	U	G		B	U	G
55L	5	0	5	5	0	5	5	0	5	5	0	5	5	0	5	5	0	4	5	0	5	5	0	5	5	0	5	5	0	5	5	0	5	388
60L	5	0	5	5	0	5	5	0	5	5	0	5	5	0	5	5	0	4	5	0	5	5	0	5	5	0	5	5	0	5	5	0	5	444
70L	5	0	5	5	0	5	5	0	5	5	0	5	5	0	5	5	0	4	5	0	5	5	0	5	5	0	5	5	0	5	5	0	5	501
80L	5	0	5	5	0	5	5	0	5	5	0	5	5	0	5	5	0	4	5	0	5	5	0	5	5	0	5	5	0	5	5	0	5	565
VLX ARRAY BUG CHART - 5K																																		
K Lumen	T1			T2			T3			T3L			T4			T4A			T4L			T5LR			T5LS			T5SR			Wattage			
	B	U	G	B	U	G	B	U	G	B	U	G	B	U	G	B	U	G	B	U	G	B	U	G	B	U	G	B	U	G		B	U	G
55L	5	0	5	5	0	5	5	0	5	5	0	5	5	0	5	5	0	5	5	0	5	5	0	5	5	0	5	5	0	5	5	0	5	388
60L	5	0	5	5	0	5	5	0	5	5	0	5	5	0	5	5	0	5	5	0	5	5	0	5	5	0	5	5	0	5	5	0	5	444
70L	5	0	5	5	0	5	5	0	5	5	0	5	5	0	5	5	0	5	5	0	5	5	0	5	5	0	5	5	0	5	5	0	5	501
80L	5	0	5	5	0	5	5	0	5	5	0	5	5	0	5	5	0	5	5	0	5	5	0	5	5	0	5	5	0	5	5	0	5	565

VMX Array LED Luminaire



The new VMX Array LED Series offers clean, functional styling that is defined by its sleek low profile design and rugged construction. It combines the latest LED performance and advanced LED thermal management technology, and provides lighting that is both energy efficient and aesthetically pleasing. Choose from 48 to 96 LED Arrays in one fixture size, that looks perfect with any of the LED configurations; thereby enabling the lighting designer to tailor the lighting to the application needs; while maintaining a uniform appearance throughout the entire project.

For general parking lots, pedestrian areas, and roadways; the VMX Array LED series brings contemporary LED lighting design into the 21st century.

Fixture Construction

- Die-cast aluminum housing with integrated heat sink for maximum thermal management of the LEDs for extreme long life of the LEDs.
- Two piece, tool-less entry, die-cast mounting arm and driver compartment for ease of mounting, and driver maintenance.
- A pole mounting design that simplifies the installation of the fixture.
- Engineered optical assemblies with ten distribution patterns.

LED Technology

- 25,000 - 55,000 Lumen packages.
- 172 - 400 Wattage offerings.
- 3000, 4000 or 5000 Kelvin for natural or white light.
- Full cutoff optics available in six distribution patterns.
- 50,000 to 100,000 hours or more of life for the LED Arrays.
- Add dimming controls for increased cost savings and project flexibility.

Applications

The VMX Array LED Series is destined to become the standard for which LED area lights are measured. Simple flowing lines that house scalable LEDs that replace traditional HID fixtures; for a wide range of lighting applications. From general parking lots; to roadways; to shopping centers; the VMX Array LED series is the transition of LED lighting into tomorrow.





Project Name:
Catalog Number:
Type:

The **VMX Array LED** Series offers clean, functional styling that is defined by its sleek low profile design and rugged construction. It combines the latest LED Array technology, advanced LED thermal management and provides outdoor lighting that is both energy efficient and aesthetically pleasing.

The LED's performance and the driver's life are maximized by enclosing them in two separate cast aluminum housings. Easy tool-less access for mounting and maintenance.

The VMX Array LED fixture is offered with lumen packages ranging from 25,000 to 55,000. Eight optical distribution patterns are available. Choose between 3K, 4K or 5K Kelvin temperature of the LEDs.

A durable polyester powder coat finish is guaranteed for five years; and is available in standard or custom colors.

The **VMX Array LED** series is an exceptional choice for commercial parking lots, office complexes, architectural projects, and other general lighting projects.

Ordering Information

MODEL	OPTICS	LUMENS	KELVIN	VOLTAGE	MOUNTING	FINISH	OPTIONS	OPTIONS	
VMX-1	T1 Type 1	25L	3K 3000K	UNV 120-277V	AM Arm Mount	BZ Bronze	PCR-120 PhotoCell & Receptacle	RPP3 For 3"Ø Pole - Round Pole Plate Adaptor	
	T2 Type 2	30L	4K 4000K	8 347V	Round Pole Plate Adaptors (RPP) are to be ordered separately.	BK Black	PCR-208 PhotoCell & Receptacle	RPP4 For 4"Ø Pole - Round Pole Plate Adaptor	
	T3 Type 3	35L					PCR-240 PhotoCell & Receptacle		
	T4 Type 4	40L	5K 5000K	5 480V	WM Wall Mount * Requires BAWP	WH White	PCR-277 PhotoCell & Receptacle	RPP5 For 5"Ø Pole - Round Pole Plate Adaptor	
	T4A Type 4 Automotive	45L					PCR-347 PhotoCell & Receptacle	UPMA-S Universal Square Pole Mount Adaptor	
	T5SR Type 5 Short Round	50L	55L				PCR-480 PhotoCell & Receptacle	UPMA-R Universal Round Pole Mount Adaptor	
	T5LR Type 5 Long Round	55L					PER 3 Pin Photo Receptacle w/shorting cap	BAWP Cast Wall Plate	
	T5LS Type 5 Long Square	55L					5PINPER 5 Pin Photo Receptacle w/shorting cap Requires Dimming Driver	ROT-R Rotated Optics Right Side	
							GP Graphite	7PINPER 7 Pin Photo Receptacle w/shorting cap Requires Dimming Driver	ROT-L Rotated Optics Left Side
							GY Grey	DIM 0-10v Dimming Driver	CLS Backside cutoff shield
						SL Silver Metallic	WSC-8 Motion Sensor 8' Mounting Height	RCLS Rightside cutoff shield	
						CC Custom Color	WSC-20 Motion Sensor 9-20' Mounting Height	LCLS Leftside cutoff shield	
							WSC-40 Motion Sensor 21-40' Mounting Height <small>This option will require (1)FSIR 100 remote for programming</small>		
							VWC Visionaire Wireless Controls *Consult Factory		

Features & Specifications

Heatsink

Cast aluminum heatsink with integral cooling fins for thermal management.

Mounting Arm/Driver Compartment

Durable two-piece die cast aluminum driver compartment utilizes a tool-less push button latch for ease of maintenance and sealed with a one-piece silicone gasket.

Meets ANSI C136.31-2010 1.5G Vibration Standards.

Thermal Management

The VMX Array series provides excellent thermal management by mounting the LED Arrays to the substantial heat sink of the housing. This enables the Luminaire to withstand higher ambient temperatures and driver currents without degrading LED life.

The L70 test determines the point in an LEDs life when it reaches 70 percent of its initial output. The VMX series LEDs have been determined to last 100,000+ hours in 25° C environments when driven at 1400 mA.

Optical System

The highest lumen output, LEDs are utilized in the VMX Array series. IES distribution Types I, II, III, IV and V are available. The optical system qualifies as IES full cutoff to restrict light trespass, glare and light pollution.

CRI values are 70.

New LED Array Technology

4 Diodes now replace a single Led chip and operate at 25% of the drive current allowing for higher efficiency, less heat and longer life. (10 Year Warranty)

More LEDs at a lower drive current provides a more comfortable visual effect.

Quali-Guard® Finish

The finish is a Quali-Guard® textured, chemically pretreated through a multiple-stage washer, electrostatically applied, thermoset polyester powder coat finish, with a minimum of 3-5 millimeter thickness. Finish is oven-baked at 400° F to promote maximum adherence and finish hardness. All finishes are available in standard and custom colors.

Finish is guaranteed for five (5) years.

Electrical Assembly

The VMX Array LED series is supplied with a choice of either 1200 or 1400 mA high-performance LED drivers that accept 120v thru 480v, 50 Hz to 60 Hz, input. Power factor of 90%.

- 10 kV surge protector supplied as standard.
- Terminal block supplied as standard.

Warranty

Ten (10) year Limited Warranty on electrical components, Five (5) year on finish. For full warranty information, please visit visionairelighting.com.

Options

- Photocell & receptacle
- Photo receptacle with shorting cap
- 0-10v Dimming Driver
- Motion Sensor
- Wireless Control
- Round pole plate adapter
- Universal Pole Mount Adaptor
- Cast Wall Plate
- Rotated Optics
- Cutoff Louver Shielding (CLS)

Listings

- The VMX Series is cUL Listed
- IP65 Rated Housing
- ANSI Certification
- Powder Coated Tough
- DLC Listed
- DLC Premium Listed
- IDA Certification

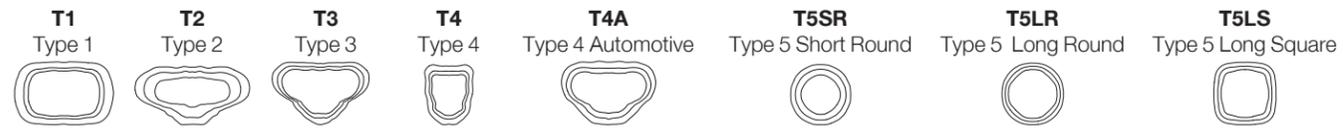


DesignLights Consortium (DLC) qualified Product. Some configurations of this product family may not be DesignLights Consortium (DLC) listed, please refer to the DLC qualified products list to confirm listed configurations. <http://www.designlights.org/>
3000K must be selected with a fixed mount for IDA certification.

VMX ARRAY - ELECTRICAL LOAD (A)							
Ordering Nomenclature	System Watts	120	208	240	277	347	480
VMX-1-T5LS-25L	172	1.43	0.83	0.72	0.62	0.50	0.36
VMX-1-T5LS-30L	208	1.73	1.00	0.87	0.75	0.60	0.43
VMX-1-T5LS-35L	272	2.27	1.31	1.13	0.98	0.78	0.57
VMX-1-T5LS-40L	277	2.31	1.33	1.15	1.00	0.80	0.58
VMX-1-T5LS-45L	339	2.83	1.63	1.41	1.22	0.98	0.71
VMX-1-T5LS-50L	370	3.08	1.78	1.54	1.34	1.07	0.77
VMX-1-T5LS-55L	400	3.33	1.92	1.67	1.44	1.15	0.83

VMX Array LED Specifications

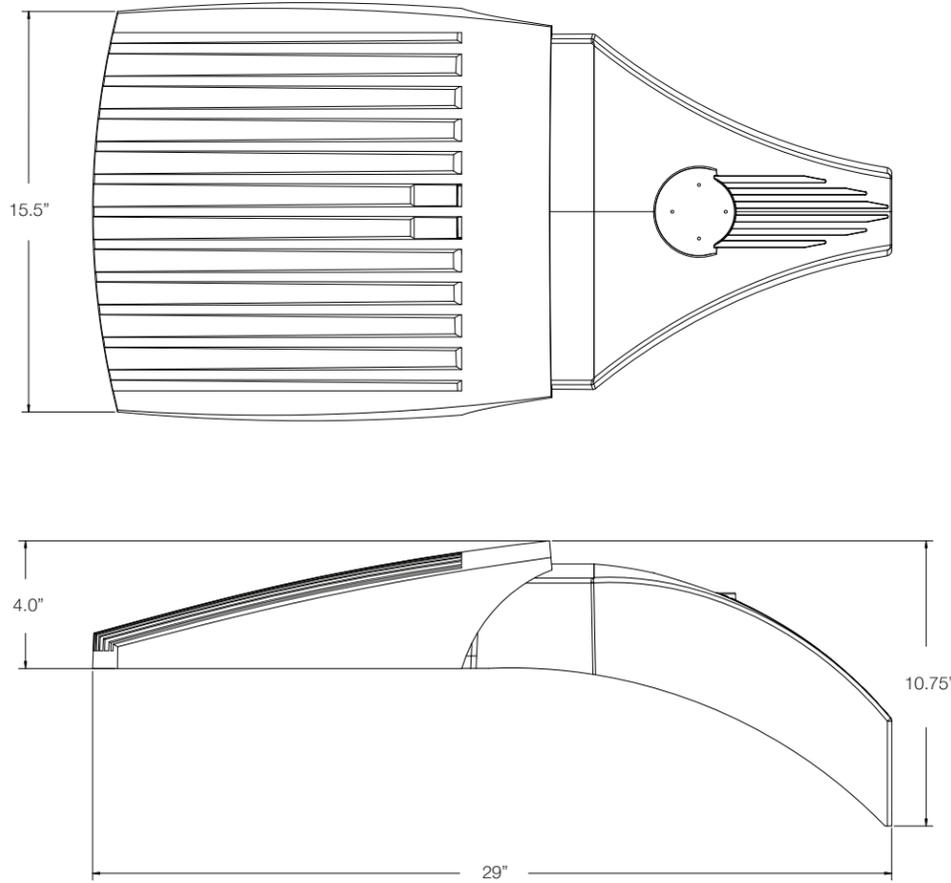
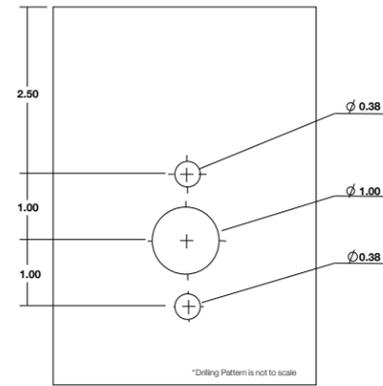
Photometric Optical Summary



EPA Data						
	0.75	1.47	1.5	2.22	2.1	2.22

Dimensions

Width:	VMX-1 15.5"
Depth:	VMX-1 29"
Height:	VMX-1 4.0"
Overall Height:	VMX-1 10.75"
Weight:	49 LBS



VMX 3K ARRAY LUMEN DATA											
Lumens	Current	LEDs	T1	T2	T3	T4	T4A	T5SR	T5LR	T5LS	Watts
25L	1200	48AR	22794	22787	21684	21729	22638	22455	21625	22900	172
30L	1400		26398	26390	25113	25165	26218	26006	25045	26522	208
35L	1400	64AR	34423	34413	32747	32815	34188	33912	32658	34584	272
40L	1200	80AR	36644	36633	34860	34932	36394	36100	34765	36816	277
45L	1200	96AR	43199	42235	41096	41181	42904	42557	40984	42445	339
50L	1300		46111	46098	43867	43957	45796	45426	43747	46327	370
55L	1400		49975	49960	47542	47641	49634	49233	47413	50209	400

VMX 4K ARRAY LUMEN DATA											
Lumens	Current	LEDs	T1	T2	T3	T4	T4A	T5SR	T5LR	T5LS	Watts
25L	1200	48AR	25242	25235	24013	24063	25070	24867	23948	25360	172
30L	1400		29234	29225	27811	27868	29034	28800	27735	29371	208
35L	1400	64AR	38120	38109	36265	36340	37860	37554	36166	38299	272
40L	1200	80AR	40580	40568	38605	38685	40303	39978	38500	40771	277
45L	1200	96AR	47839	46772	45511	45605	47513	47129	45387	47005	339
50L	1300		51064	51049	48579	48679	50716	50306	48447	51304	370
55L	1400		55343	55327	52649	52758	54965	54521	52506	55603	400

VMX 5K ARRAY LUMEN DATA											
Lumens	Current	LEDs	T1	T2	T3	T4	T4A	T5SR	T5LR	T5LS	Watts
25L	1200	48AR	25242	25235	24013	24063	25070	24867	23948	25360	172
30L	1400		29234	29225	27811	27868	29034	28800	27735	29371	208
35L	1400	64AR	38120	38109	36265	36340	37860	37554	36166	38299	272
40L	1200	80AR	40580	40568	38605	38685	40303	39978	38500	40771	277
45L	1200	96AR	47839	46772	45511	45605	47513	47129	45387	47005	339
50L	1300		51064	51049	48579	48679	50716	50306	48447	51304	370
55L	1400		55343	55327	52649	52758	54965	54521	52506	55603	400

VMX ARRAY 3K LPW DATA											
Lumens	Current	LEDs	T1	T2	T3	T4	T4A	T5SR	T5LR	T5LS	Watts
25L	1200	48AR	133	132	126	126	132	131	126	133	172
30L	1400		127	127	121	121	126	125	120	128	208
35L	1400	64AR	127	127	120	121	126	125	120	127	272
40L	1200	80AR	132	132	126	126	131	130	126	133	277
45L	1200	96AR	127	125	121	121	127	126	121	125	339
50L	1300		125	125	119	119	124	123	118	125	370
55L	1400		125	125	119	119	124	123	119	126	400

VMX ARRAY 3K LPW DATA											
Lumens	Current	LEDs	T1	T2	T3	T4	T4A	T5SR	T5LR	T5LS	Watts
25L	1200	48AR	147	147	140	140	146	145	139	147	172
30L	1400		141	141	134	134	140	138	133	141	208
35L	1400	64AR	140	140	133	134	139	138	133	141	272
40L	1200	80AR	146	146	139	140	145	144	139	147	277
45L	1200	96AR	141	138	134	135	140	139	134	139	339
50L	1300		138	138	131	132	137	136	131	139	370
55L	1400		138	138	132	132	137	136	131	139	400

VMX ARRAY 3K LPW DATA											
Lumens	Current	LEDs	T1	T2	T3	T4	T4A	T5SR	T5LR	T5LS	Watts
25L	1200	48AR	147	147	140	140	146	145	139	147	172
30L	1400		141	141	134	134	140	138	133	141	208
35L	1400	64AR	140	140	133	134	139	138	133	141	272
40L	1200	80AR	146	146	139	140	145	144	139	147	277
45L	1200	96AR	141	138	134	135	140	139	134	139	339
50L	1300		138	138	131	132	137	136	131	139	370
55L	1400		138	138	132	132	137	136	131	139	400

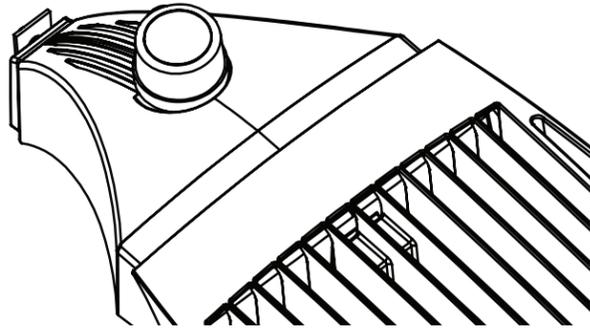
VMX ARRAY 3K BUG RATING																											
Lumens	Current	LEDs	T1			T2			T3			T4			T4A			T5SR			T5LR			T5LS			Watts
			B	U	G	B	U	G	B	U	G	B	U	G	B	U	G	B	U	G	B	U	G	B	U	G	
25L	1200	48AR	4	0	4	3	0	3	3	0	3	3	0	3	3	0	3	4	0	2	5	0	4	5	0	3	172
30L	1400		5	0	5	3	0	3	3	0	4	3	0	4	3	0	3	4	0	3	5	0	4	5	0	3	208
35L	1400	64AR	5	0	5	4	0	4	3	0	4	4	0	4	4	0	3	5	0	3	5	0	5	5	0	4	272
40L	1200	80AR	5	0	5	4	0	4	4	0	4	4	0	4	4	0	4	5	0	3	5	0	5	5	0	4	277
45L	1200	96AR	5	0	5	4	0	4	4	0	5	4	0	5	4	0	4	5	0	4	5	0	5	5	0	4	339
50L	1300		5	0	5	4	0	4	4	0	5	4	0	5	4	0	4	5	0	4	5	0	5	5	0	4	370
55L	1400		5	0	5	4	0	4	4	0	5	4	0	5	4	0	5	5	0	4	5	0	5	5	0	5	400
VMX ARRAY 4K BUG RATING																											
Lumens	Current	LEDs	T1			T2			T3			T4			T4A			T5SR			T5LR			T5LS			Watts
			B	U	G	B	U	G	B	U	G	B	U	G	B	U	G	B	U	G	B	U	G	B	U	G	
25L	1200	48AR	5	0	5	3	0	3	3	0	4	3	0	3	3	0	3	4	0	3	5	0	4	5	0	3	172
30L	1400		5	0	5	4	0	4	3	0	4	3	0	4	3	0	3	5	0	3	5	0	4	5	0	3	208
35L	1400	64AR	5	0	5	4	0	4	4	0	4	4	0	4	4	0	4	5	0	4	5	0	5	5	0	4	272
40L	1200	80AR	5	0	5	4	0	4	4	0	5	4	0	5	4	0	4	5	0	4	5	0	5	5	0	4	277
45L	1200	96AR	5	0	5	4	0	4	4	0	5	4	0	5	4	0	4	5	0	4	5	0	5	5	0	4	339
50L	1300		5	0	5	4	0	4	4	0	5	4	0	5	5	0	4	5	0	4	5	0	5	5	0	5	370
55L	1400		5	0	5	5	0	5	4	0	5	4	0	5	5	0	4	5	0	4	5	0	5	5	0	5	400
VMX ARRAY 5K BUG RATING																											
Lumens	Current	LEDs	T1			T2			T3			T4			T4A			T5SR			T5LR			T5LS			Watts
			B	U	G	B	U	G	B	U	G	B	U	G	B	U	G	B	U	G	B	U	G	B	U	G	
25L	1200	48AR	5	0	5	3	0	3	3	0	4	3	0	3	3	0	3	4	0	3	5	0	4	5	0	3	172
30L	1400		5	0	5	4	0	4	3	0	4	3	0	4	3	0	3	5	0	3	5	0	4	5	0	3	208
35L	1400	64AR	5	0	5	4	0	4	4	0	4	4	0	4	4	0	4	5	0	4	5	0	5	5	0	4	272
40L	1200	80AR	5	0	5	4	0	4	4	0	5	4	0	5	4	0	4	5	0	4	5	0	5	5	0	4	277
45L	1200	96AR	5	0	5	4	0	4	4	0	5	4	0	5	4	0	4	5	0	4	5	0	5	5	0	4	339
50L	1300		5	0	5	4	0	4	4	0	5	4	0	5	5	0	4	5	0	4	5	0	5	5	0	5	370
55L	1400		5	0	5	5	0	5	4	0	5	4	0	5	5	0	4	5	0	4	5	0	5	5	0	5	400

VMX - CUTOFF LOUVER SHIELD - 3K LUMEN DATA																													
Lumens	Current	LEDs	T1	T2	T3	T4	T4A	T5SR	T5LR	T5LS	Watts																		
25L	1200	48AR	17982	18372	18064	17057	18832	17663	16247	17438	172																		
30L	1400		20825	21277	20920	19754	21810	20456	18816	20196	208																		
35L	1400	64AR	27156	27746	27280	25759	28440	26674	24536	26335	272																		
40L	1200	80AR	28908	29536	29040	27421	30275	28396	26119	28034	277																		
45L	1200	96AR	34080	34052	34235	32326	35691	33475	30792	32321	339																		
VMX - CUTOFF LOUVER SHIELD - 4K LUMEN DATA																													
Lumens	Current	LEDs	T1	T2	T3	T4	T4A	T5SR	T5LR	T5LS	Watts																		
25L	1200	48AR	19913	20346	20004	18889	20855	19560	17992	19311	172																		
30L	1400		23062	23563	23168	21876	24152	22653	20838	22365	208																		
35L	1400	64AR	30073	30725	30210	28525	31494	29539	27172	29163	272																		
40L	1200	80AR	32014	32708	32160	30366	33527	31445	28925	31045	277																		
45L	1200	96AR	37740	37710	37913	35798	39524	37070	34100	35793	339																		
VMX - CUTOFF LOUVER SHIELD - 5K LUMEN DATA																													
Lumens	Current	LEDs	T1	T2	T3	T4	T4A	T5SR	T5LR	T5LS	Watts																		
25L	1200	48AR	19913	20346	20004	18889	20855	19560	17992	19311	172																		
30L	1400		23062	23563	23168	21876	24152	22653	20838	22365	208																		
35L	1400	64AR	30073	30725	30210	28525	31494	29539	27172	29163	272																		
40L	1200	80AR	32014	32708	32160	30366	33527	31445	28925	31045	277																		
45L	1200	96AR	37740	37710	37912	39525	39525	37071	34100	35793	339																		
VMX - CUTOFF LOUVER SHIELD - 3K LUMEN PER WATT DATA																													
Lumens	Current	LEDs	T1	T2	T3	T4	T4A	T5SR	T5LR	T5LS	Watts																		
25L	1200	48AR	105	107	105	99	109	103	94	101	172																		
30L	1400		100	102	101	95	105	98	90	97	208																		
35L	1400	64AR	100	102	100	95	105	98	90	97	272																		
40L	1200	80AR	104	107	105	99	109	103	94	101	277																		
45L	1200	96AR	101	100	101	95	105	99	91	95	339																		
VMX - CUTOFF LOUVER SHIELD - 4K LUMEN PER WATT DATA																													
Lumens	Current	LEDs	T1	T2	T3	T4	T4A	T5SR	T5LR	T5LS	Watts																		
25L	1200	48AR	116	118	116	110	121	114	105	112	172																		
30L	1400		111	113	111	105	116	109	100	108	208																		
35L	1400	64AR	111	113	111	105	116	109	100	107	272																		
40L	1200	80AR	116	118	116	110	121	114	104	112	277																		
45L	1200	96AR	111	111	112	106	117	109	101	106	339																		
VMX - CUTOFF LOUVER SHIELD - 5K LUMEN PER WATT DATA																													
Lumens	Current	LEDs	T1	T2	T3	T4	T4A	T5SR	T5LR	T5LS	Watts																		
25L	1200	48AR	116	118	116	110	121	114	105	112	172																		
30L	1400		111	113	111	105	116	109	100	108	208																		
35L	1400	64AR	111	113	111	105	116	109	100	107	272																		
40L	1200	80AR	116	118	116	110	121	114	104	112	277																		
45L	1200	96AR	111	111	112	106	117	109	101	106	339																		
VMX - CUTOFF LOUVER SHIELD - 3K 4K 5K BUG DATA																													
Lumens	Spectrum	LEDs	T1			T2			T3			T4			T4A			T5SR			T5LR			T5LS					
			B	U	G	B	U	G	B	U	G	B	U	G	B	U	G	B	U	G	B	U	G	B	U	G			
25L	3K	48AR	3	3	4	3	3	4	3	3	4	3	3	4	3	3	4	3	3	4	3	3	4	2	3	5	2	3	4
30L	3K	48AR	3	3	5	3	3	5	3	3	4	3	3	4	3	3	4	3	3	4	3	3	4	3	3	5	3	3	5
35L	3K	64AR	3	3	5	3	3	5	3	3	5	3	3	5	3	3	4	3	3	5	3	3	5	3	3	5	3	3	5
40L	3K	80AR	3	3	5	3	3	5	3	3	5	3	3	5	3	3	4	3	3	5	3	3	5	3	3	5	3	3	5
45L	3K	96AR	4	3	5	3	3	5	3	3	5	3	3	5	3	3	5	3	3	5	3	3	5	3	3	5	3	3	5
25L	4K	48AR	3	3	4	3	3	5	3	3	4	3	3	4	3	3	4	3	3	4	3	3	4	3	3	5	3	3	5
30L	4K	48AR	3	3	5	3	3	5	3	3	4	3	3	5	3	3	4	3	3	5	3	3	4	3	3	5	3	3	5
35L	4K	64AR	3	3	5	3	3	5	3	3	5	3	3	5	3	3	4	3	3	5	3	3	4	3	3	5	3	3	5
40L	4K	80AR	3	3	5	3	3	5	3	3	5	3	3	5	3	3	5	3	3	5	3	3	5	3	3	5	3	3	5
45L	4K	96AR	4	4	5	3	3	5	4	3	5	4	3	5	3	3	5	3	3	5	3	3	5	3	3	5	3	3	5
25L	5K	48AR	3	3	4	3	3	5	3	3	4	3	3	4	3	3	4	3	3	4	3	3	4	3	3	5	3	3	5
30L	5K	48AR	3	3	5	3	3	5	3	3	4	3	3	5	3	3	4	3	3	5	3	3	4	3	3	5	3	3	5
35L	5K	64AR	3	3	5	3	3	5	3	3	5	3	3	5	3	3	4	3	3	5	3	3	4	3	3	5	3	3	5
40L	5K	80AR	3	3	5	3	3	5	3	3	5	3	3	5	3	3	5	3	3	5	3	3	5	3	3	5	3	3	5
45L	5K	96AR	4	4	5	3	3	5	4	3	5	4	3	5	3	3	5	3	3	5	3	3	5	3	3	5	3	3	5

VMX Array LED Array Specifications

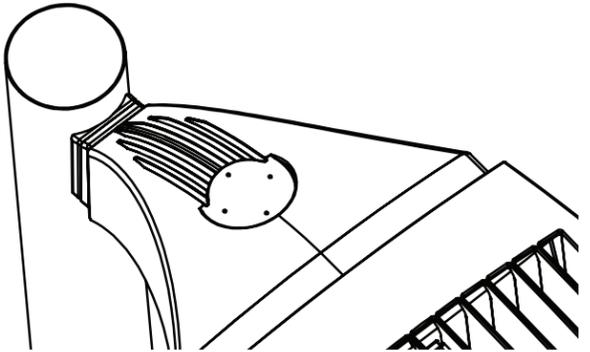
Twist lock Photocell & Receptacle

Dusk to dawn sensor.



Round Pole Plate Adaptor

Round Pole Plate Adaptor to be used with round pole.



Cast Wall Plate

Arm mount wall plate is needed to wall mount the VMX.

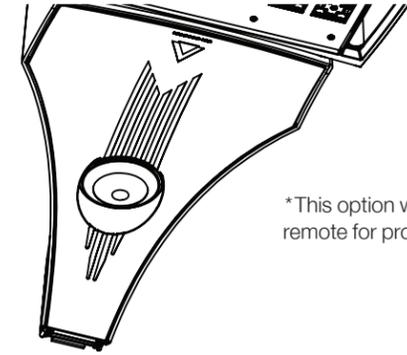
0-10v Dimming Driver

0-10V is an analog lighting control protocol. 0-10V control applies a voltage between 0 and 10 volts DC to produce a varying intensity level.

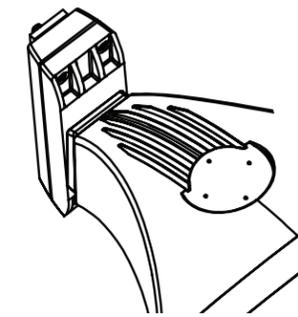
The FSP-211 by Legrand is integrated into the VMX housing and provides multi-level control based on motion and/or daylight contribution.
 Lens Coverage Patterns:
 WSC-8 - 360° lens, maximum coverage 48'; diameter from 8' height
 WSC-20 - 360° lens, maximum coverage 48'; diameter from 20' height
 WSC-40 - 360° lens, maximum coverage 100'; diameter from 40' height

Default settings:	
FACTORY DEFAULTS High Mode	0 Volts
Low Mode	1 Volts
Time Delay	5 Minutes
Cut Off	1 Hour
Sensitivity	Maximum
Hold Off Set point	4 Foot Candles
Ramp Up	None
Fade Down	None
Force Off Set point with Occupied	Disable

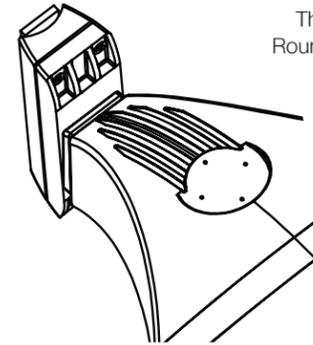
Motion Sensor



*This option will require one FSIR 100 remote for programming.

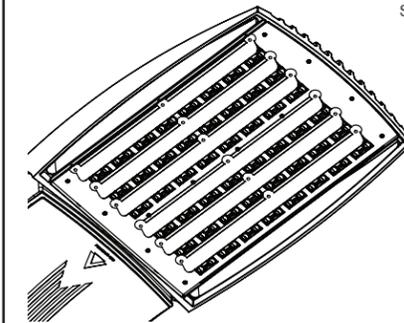


UPMA
 The Universal Pole Mount Adaptor is ideal for retrofit applications with existing square poles. This adaptor is slotted to fit any existing drilling pattern, up to 6 1/2" bolt to bolt maximum.



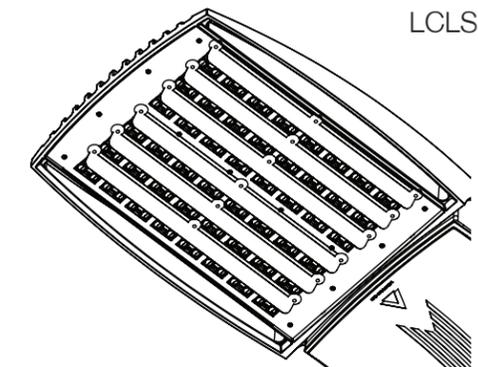
UPMA-R
 The Universal Pole Mount Adaptor Round is ideal for retrofit applications with existing round poles. This adaptor is slotted to fit any existing drilling pattern, up to 6 1/2" bolt to bolt maximum.

CLS
 The back side cutoff louver shield will reduce light output behind the fixture, all of the light will be focused in front of the VMX.



RCLS
 The right side cutoff louver shield will reduce light output on the left side of the fixture, all of the light be focused on the right side of the VMX.

The left side cutoff louver shield will reduce light output on the right side of the fixture, all of the light be focused on the left side of the VMX.



VSX Array LED Luminaire



The new VSX Array LED Series offers clean, functional styling that is defined by its sleek low profile design and rugged construction. It combines the latest LED performance and advanced LED thermal management technology, and provides lighting that is both energy efficient and aesthetically pleasing. Choose from 16 to 48 LED Arrays in one fixture size, that looks perfect with any of the LED configurations; thereby enabling the lighting designer to tailor the lighting to the application needs; while maintaining a uniform appearance throughout the entire project.

For small scale general parking areas and pedestrian areas; the VSX Array LED series brings contemporary LED lighting design into the 21st century.

Fixture Construction

- Cast aluminum housing with integrated heat sink for maximum thermal management of the LED Arrays for extreme long life of the LEDs.
- Two piece, tool-less entry, cast mounting arm and driver compartment for ease of mounting, and driver maintenance.
- A pole mounting design that simplifies the installation of the fixture.
- Engineered optical assemblies with seven distribution patterns.

LED Technology

- 5,100 - 25,000 Lumen packages.
- 34 -167 Wattage offerings.
- 3000, 4000 or 5000 Kelvin for warm, natural or white light.
- Full cutoff optics available in ten distribution patterns.
- 50,000 to 100,000 hours or more of life for the LEDs
- Add dimming controls for increased cost savings and project flexibility.

Applications

The VSX Array LED Series is destined to become the standard for which LED area lights are measured. Simple flowing lines that house scalable LED Arrays that replace traditional HID fixtures; for a wide range of lighting applications. From small scale general parking and pedestrian areas; the VSX Array LED series is the transition of LED lighting into tomorrow.





Project Name: _____

Catalog Number: _____

Type: _____

The new **VSX Array LED** Series offers clean, functional styling that is defined by its sleek low profile design and rugged construction. It combines the latest LED Array technology, advanced LED thermal management and provides outdoor lighting that is both energy efficient and aesthetically pleasing.

The LED's performance and the driver's life are maximized by enclosing them in two separate die cast aluminum housings. Easy tool-less access for mounting and maintenance.

The VSX Array LED fixture is offered with lumen packages ranging from 5,000 - 25,000. Choose between 3000, 4000 or 5000 Kelvin temperature of the LEDs.

A durable polyester powder coat finish is guaranteed for five years; and is available in standard or custom colors.

The **VSX Array LED** series is an exceptional choice for commercial parking lots, office complexes, architectural projects, and other general lighting projects.

Ordering Information

MODEL	OPTICS	LUMENS	KELVIN	VOLTAGE	MOUNTING	FINISH	OPTIONS	OPTIONS
VSX-1	T1 Type 1	5L	3K 3000K	UNV 120-277V	AM Arm Mount	BZ Bronze	PCR-120 Photocell & Receptacle	RPP3 For 3"Ø Pole - Round Pole Plate Adaptor
	T2 Type 2	10L	4K 4000K	8 347V	Round Pole Plate Adaptors (RPP) are to be ordered separately.	BK Black	PCR-208 Photocell & Receptacle	RPP4 For 4"Ø Pole - Round Pole Plate Adaptor
	T3 Type 3	15L	5K 5000K	5 480V	BAWP to be ordered separately.	SBK Smooth Black	PCR-240 Photocell & Receptacle	RPP5 For 5"Ø Pole - Round Pole Plate Adaptor
	T4 Type 4	20L				WH White	PCR-277 Photocell & Receptacle	
	T4A Type 4 Automotive	25L				SWH Smooth White	PCR-347 Photocell & Receptacle	UPMA-S Universal Square Pole Mount Adaptor
	T5SR Type 5 Short Round					GP Graphite	PCR-480 Photocell & Receptacle	UPMA-R Universal Round Pole Mount Adaptor
	T5LR Type 5 Long Round					GY Grey	PER 3 Pin Photo Receptacle w/shorting cap	BAWP Cast Wall Plate
	T5LS Type Long Square					SL Silver Metallic	5PINPER 5 Pin Photo Receptacle w/shorting cap Requires Dimming Driver	ROT-R Rotated Optics Right Side
						CC Custom Color	7PINPER 7 Pin Photo Receptacle w/shorting cap Requires Dimming Driver	ROT-L Rotated Optics Left Side
							DIM 0-10v Dimming Driver	WSC-8 Motion Sensor 8' Mounting Height
						WSC-20 Motion Sensor 9-20' Mounting Height		
						WSC-40 Motion Sensor 21-40' Mounting Height		
						This option will require (1) FSIR 100 remote for programming		
						VWC Visionaire Wireless Controls *Consult Factory		

Features & Specifications

Housing

Cast aluminum LED housing with integral cooling fins for thermal management.

Mounting Arm/Driver Compartment

Durable two-piece cast aluminum driver compartment utilizes a captive screw for ease of maintenance and sealed with a one-piece silicone gasket.

Thermal Management

The VSX Array LED series provides excellent thermal management by mounting the LED Arrays to the substantial heat sink of the housing. This enables the Luminaire to withstand higher ambient temperatures and driver currents without degrading LED life.

The L70 test determines the point in an LEDs life when it reaches 70 percent of its initial output. The VSX Array series LEDs have been determined to last 100,000+ hours in 25° C environments when driven at 1400 mA.

Optical System

The highest lumen output LED Arrays are utilized in the VSX series. IES distribution Types I, II, III, IV, IVA, VSR, VLR and VLS are available. The optical system qualifies as IES full cutoff to restrict light trespass, glare and light pollution.

CRI values are 70.

New LED Array Technology

4 Diodes now replace a single Led chip and operate at 25% of the drive current allowing for higher efficiency, less heat and longer life. (10 Year Warranty)

More LEDs at a lower drive current provides a more comfortable visual effect.

Quali-Guard® Finish

The finish is a Quali-Guard® textured, chemically pretreated through a multiple-stage washer, electrostatically applied, thermoset polyester powder coat finish, with a minimum of 3-5 millimeter thickness. Finish is oven-baked at 400° F to promote maximum adherence and finish hardness. All finishes are available in standard and custom colors.

Finish is guaranteed for five (5) years.

Electrical Assembly

The VSX Array LED series is supplied with a choice of 350, 530, 700, 1050, 1200 or 1400 mA high-performance LED drivers that accept 120v thru 480v, 50 Hz to 60 Hz, input. Power factor of 90%. Rated for -40°C operations.

- 10 kV surge protector supplied as standard.
- Terminal block supplied as standard.

Warranty

Ten (10) year Limited Warranty on electrical components (Driver & LED Boards), Five (5) year on finish. For full warranty information, please visit visionairelighting.com.

Options

- Photocell & receptacle
- Photo receptacle
- 0-10v Dimming Driver
- Motion Sensor
- Wireless Control
- Round pole plate adaptor
- Universal Pole Mount Adaptor
- Cast Wall Plate
- Rotated Optics

Listings

- The VSX Series is cUL Listed
- IP65 Rated Housing
- ANSI Certification
- Powder Coated Tough
- DLC Listed
- DLC Premium Listed
- IDA Certification

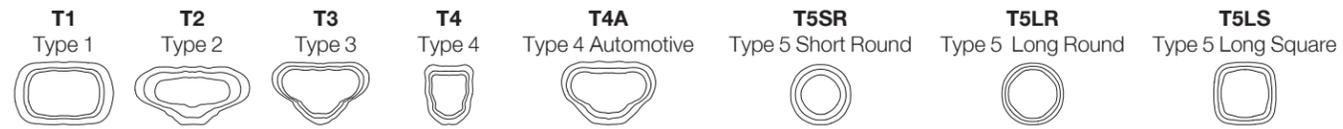


DesignLights Consortium (DLC) qualified Product. Some configurations of this product family may not be DesignLights Consortium (DLC) listed, please refer to the DLC qualified products list to confirm listed configurations. <http://www.designlights.org/>
3000K must be selected with a fixed mount for IDA certification.

VSX ARRAY - ELECTRICAL LOAD (A)							
Ordering Nomenclature	System Watts	120	208	240	277	347	480
VSX-1-T5LS-5L	34	0.28	0.16	0.14	0.12	0.10	0.07
VSX-1-T5LS-10L	70	0.58	0.34	0.29	0.25	0.20	0.15
VSX-1-T5LS-15L	102	0.85	0.49	0.43	0.37	0.29	0.21
VSX-1-T5LS-20L	134	1.12	0.64	0.56	0.48	0.39	0.28
VSX-1-T5LS-25L	167	1.39	0.80	0.70	0.60	0.48	0.35

VSX Array LED Specifications

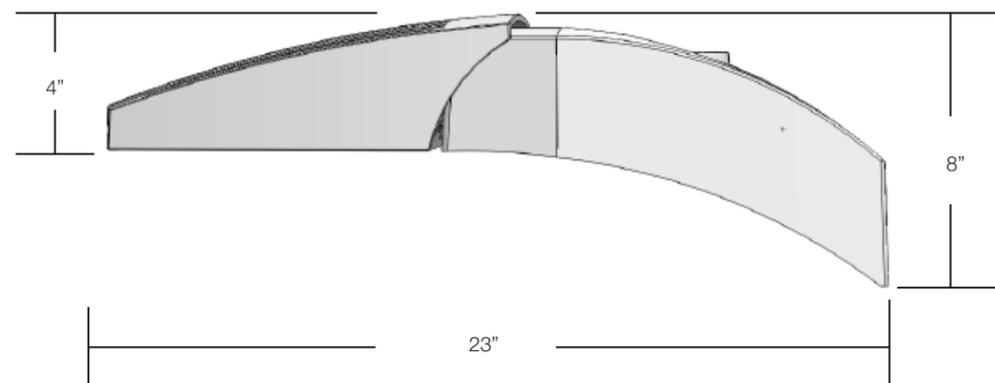
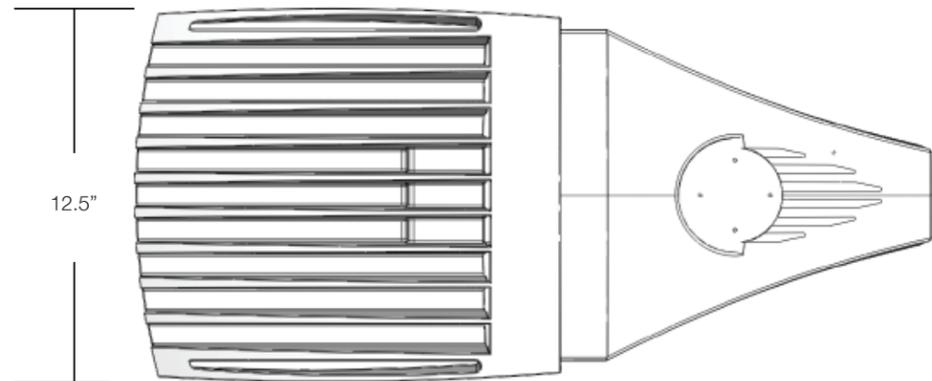
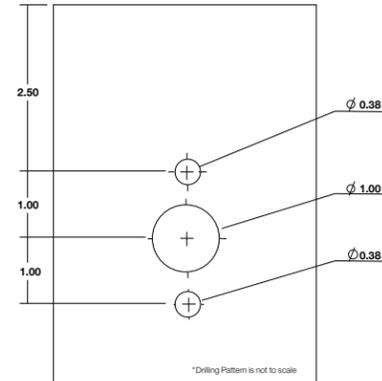
Photometric Optical Summary



VSX EPA Data							
	0.58	.92	1.16	1.45	1.40	1.40	1.48

Dimensions

Width:	VSX-1 12.5"
Depth:	VSX-1 23"
Height:	VSX-1 4"
Overall Height:	VSX-1 8"
Weight:	25 LBS



VSX 3K LUMEN DATA

LUMENS	mA	# LEDs	T1	T2	T3	T4	T4A	T5SR	T5LR	T5LS	Watts
5L	700	16	4533	4513	4477	4412	4504	4616	4389	4582	34
10L	1400		8725	8687	8618	8493	8668	8884	8448	8819	70
15L	1050	32	13694	13634	13526	13329	13605	13943	13260	13841	102
20L	1400		17648	17571	17431	17178	17533	17969	17088	17837	134
25L	1200	48	21818	21723	21550	21237	21676	22215	21126	22052	167

VSX 4K LUMEN DATA

LUMENS	mA	# LEDs	T1	T2	T3	T4	T4A	T5SR	T5LR	T5LS	Watts
5L	700	16	5020	4998	4958	4886	4987	5111	4861	5074	34
10L	1400		9662	9620	9544	9405	9599	9838	9356	9766	70
15L	1050	32	15165	15099	14979	14761	15066	15441	14684	15328	102
20L	1400		19544	19458	19304	19023	19416	19899	18924	19753	134
25L	1200	48	24162	24056	23865	23518	24004	24601	23395	24421	167

VSX 5K LUMEN DATA

LUMENS	mA	# LEDs	T1	T2	T3	T4	T4A	T5SR	T5LR	T5LS	Watts
5L	700	16	5020	4998	4958	4886	4987	5111	4861	5074	34
10L	1400		9662	9620	9544	9405	9599	9838	9356	9766	70
15L	1050	32	15165	15099	14979	14761	15066	15441	14684	15328	102
20L	1400		19544	19458	19304	19023	19416	19899	18924	19753	134
25L	1200	48	24162	24056	23865	23518	24004	24601	23395	24421	167

VSX 3K LPW DATA

LUMENS	mA	# LEDs	T1	T2	T3	T4	T4A	T5SR	T5LR	T5LS	Watts
5L	700	16	133	133	132	130	132	136	129	135	34
10L	1400		125	124	123	121	124	127	121	126	70
15L	1050	32	135	134	133	131	134	137	130	136	102
20L	1400		132	131	130	128	131	134	128	133	134
25L	1200	48	131	130	129	127	130	133	126	132	167

VSX 4K LPW DATA

LUMENS	mA	# LEDs	T1	T2	T3	T4	T4A	T5SR	T5LR	T5LS	Watts
5L	700	16	148	147	146	144	147	150	143	149	34
10L	1400		138	137	136	134	137	141	134	140	70
15L	1050	32	149	148	147	145	148	152	144	151	102
20L	1400		146	145	144	142	145	149	141	147	134
25L	1200	48	145	144	143	141	144	147	140	146	167

VSX 5K LPW DATA

LUMENS	mA	# LEDs	T1	T2	T3	T4	T4A	T5SR	T5LR	T5LS	Watts
5L	700	16	148	147	146	144	147	150	143	149	34
10L	1400		138	137	136	134	137	141	134	140	70
15L	1050	32	149	148	147	145	148	152	144	151	102
20L	1400		146	145	144	142	145	149	141	147	134
25L	1200	48	145	144	143	141	144	147	140	146	167

VSX 3K BUG DATA

LUMENS	mA	# LEDs	T1			T2			T3			T4			T4A			T5SR			T5LR			T5LS			Watts
			B	U	G	B	U	G	B	U	G	B	U	G	B	U	G	B	U	G	B	U	G	B	U	G	
5L	700	16	2	0	2	1	0	1	1	0	1	1	0	1	1	0	1	2	0	1	3	0	2	3	0	1	34
10L	1400		3	0	3	2	0	2	2	0	2	2	0	2	2	0	2	3	0	1	3	0	2	3	0	2	70
15L	1000	32	4	0	4	3	0	3	3	0	3	3	0	3	2	0	2	4	0	2	4	0	3	4	0	2	102
20L	1400		4	0	4	3	0	3	3	0	3	3	0	3	3	0	3	4	0	2	4	0	3	4	0	2	134
25L	1200	48	4	0	4	3	0	3	3	0	3	3	0	3	3	0	3	4	0	2	5	0	4	5	0	3	167

VSX 4K BUG DATA

LUMENS	mA	# LEDs	T1			T2			T3			T4			T4A			T5SR			T5LR			T5LS			Watts
			B	U	G	B	U	G	B	U	G	B	U	G	B	U	G	B	U	G	B	U	G	B	U	G	
5L	700	16	3	0	3	1	0	1	1	0	1	1	0	1	2	0	1	2	0	1	3	0	2	3	0	1	34
10L	1400		3	0	3	2	0	2	2	0	2	2	0	2	2	0	2	3	0	2	3	0	3	3	0	2	70
15L	1000	32	4	0	4	3	0	3	3	0	3	3	0	3	3	0	3	4	0	2	4	0	3	4	0	2	102
20L	1400		4	0	4	3	0	3	3	0	3	3	0	3	3	0	3	4	0	2	4	0	3	4	0	2	134
25L	1200	48	4	0	4	3	0	3	3	0	3	3	0	3	4	0	3	4	0	2	5	0	4	5	0	3	167

VSX 5K BUG DATA

LUMENS	mA	# LEDs	T1			T2			T3			T4			T4A			T5SR			T5LR			T5LS			Watts
			B	U	G	B	U	G	B	U	G	B	U	G	B	U	G	B	U	G	B	U	G	B	U	G	
5L	700	16	3	0	3	1	0	1	1	0	1	1	0	1	2	0	1	2	0	1	3	0	2	3	0	1	34
10L	1400		3	0	3	2	0	2	2	0	2	2	0	2	2	0	2	3	0	2	3	0	3	3	0	2	70
15L	1000	32	4	0	4	3	0	3	3	0	3	3	0	3	3	0	3	4	0	2	4	0	3	4	0	2	102
20L	1400		4	0	4	3	0	3	3	0	3	3	0	3	3	0	3	4	0	2	4	0	3	4	0	2	134
25L	1200	48	4	0	4	3	0	3	3	0	3	3	0	3	4	0	3	4	0	2	5	0	4	5	0	3	167

VSX - HOUSE SHIELD 3K LUMEN DATA													
# LEDs	Current (mA)	Lumens	T1	T2	T3	T3L	T4	T4L	T4A	T5SR	T5LR	T5LS	Watts
16	700	5L	1096	1477	1444	1385	1704	1387	1517	1264	1538	1171	34
	1400	10L	2110	2844	2780	2665	3280	2669	2919	2433	2961	2253	70
32	1050	15L	3312	4463	4363	4183	5148	4190	4581	3819	4647	3537	102
	1400	20L	4268	5752	5623	5391	6635	5399	5903	4921	5988	4558	134
48	1200	25L	5276	7112	6952	6665	8203	6675	7298	6084	7404	5635	167

VSX - HOUSE SHIELD 4K LUMEN DATA													
# LEDs	Current (mA)	Lumens	T1	T2	T3	T3L	T4	T4L	T4A	T5SR	T5LR	T5LS	Watts
16	700	5L	1214	1636	1599	1534	1887	1536	1679	1400	1704	1296	34
	1400	10L	2337	3149	3079	2952	3633	2669	3232	2694	3279	2495	70
32	1050	15L	3667	4943	4832	4633	5701	4640	5073	4229	5146	3917	102
	1400	20L	4727	6370	6227	5970	7348	5979	6537	5450	6632	5047	134
48	1200	25L	5843	7875	7699	7381	9084	7392	8082	6738	8199	6240	167

VSX - HOUSE SHIELD 5K LUMEN DATA													
# LEDs	Current (mA)	Lumens	T1	T2	T3	T3L	T4	T4L	T4A	T5SR	T5LR	T5LS	Watts
16	700	5L	1214	1636	1599	1534	1887	1536	1679	1400	1704	1296	34
	1400	10L	2337	3149	3079	2952	3633	2669	3232	2694	3279	2495	70
32	1050	15L	3667	4943	4832	4633	5701	4640	5073	4229	5146	3917	102
	1400	20L	4727	6370	6227	5970	7348	5979	6537	5450	6632	5047	134
48	1200	25L	5843	7875	7699	7381	9084	7392	8082	6738	8199	6240	167

VSX - HOUSE SHIELD 3K LPW DATA													
# LEDs	Current (mA)	Lumens	T1	T2	T3	T3L	T4	T4L	T4A	T5SR	T5LR	T5LS	Watts
16	700	5L	32	43	42	41	50	41	45	37	45	34	34
	1400	10L	30	41	40	38	47	38	42	35	42	32	70
32	1050	15L	33	44	43	41	51	41	45	38	46	35	102
	1400	20L	32	43	42	40	50	40	44	37	45	34	134
48	1200	25L	32	43	42	40	49	40	44	36	44	34	167

VSX - HOUSE SHIELD 4K LPW DATA													
# LEDs	Current (mA)	Lumens	T1	T2	T3	T3L	T4	T4L	T4A	T5SR	T5LR	T5LS	Watts
16	700	5L	36	48	47	45	56	45	49	41	50	38	34
	1400	10L	33	45	44	42	52	42	46	38	47	36	70
32	1050	15L	36	49	48	46	56	46	50	42	51	39	102
	1400	20L	35	48	46	45	55	45	49	41	49	38	134
48	1200	25L	35	47	46	44	54	44	48	40	49	37	167

VSX - HOUSE SHIELD 5K LPW DATA													
# LEDs	Current (mA)	Lumens	T1	T2	T3	T3L	T4	T4L	T4A	T5SR	T5LR	T5LS	Watts
16	700	5L	36	48	47	45	56	45	49	41	50	38	34
	1400	10L	33	45	44	42	52	42	46	38	47	36	70
32	1050	15L	36	49	48	46	56	46	50	42	51	39	102
	1400	20L	35	48	46	45	55	45	49	41	49	38	134
48	1200	25L	35	47	46	44	54	44	48	40	49	37	167

VMF - LED Luminaire



The new VMF LED Series offers clean, functional styling that is defined by its sleek low profile design and rugged construction. It combines the latest LED performance and advanced LED thermal management technology, and provides lighting that is both energy efficient and aesthetically pleasing. Choose from 32 to 96 LEDs that looks perfect with any of the LED configurations; thereby enabling the lighting designer to tailor the lighting to the application needs; while maintaining a uniform appearance throughout the entire project. Choose from a 7,000 to 27,000+ lumen package with life expectancy of well over 100,000 hours of operation.

Fixture Construction

- Cast aluminum housing with integrated heat sink for maximum thermal management of the LEDs for extreme long life of the LEDs.
- Two mounting options for ease of installation.
- Engineered optical assemblies with nine distribution patterns.

LED Technology

- 32 to 96 LEDs.
- 530, 700 or 1000 mA ratings.
- 7,000 to 27,000+ lumen package available.
- 3000, 4000 or 5000 Kelvin for warm, natural or white light.
- Nine optical distribution patterns available.
- 100,000+ hours or more of life for the LEDs.

Applications

The VMF LED Series is destined to become the standard for which LED lights are measured. Simple flowing lines that house scalable LEDs that replace traditional HID fixtures; for a wide range of lighting applications. For sign lighting, building lighting, and other flood lighting applications, the VMF LED series is the transition of LED lighting into tomorrow.





Project Name: _____

Catalog Number: _____

Type: _____

The new **VMF LED** Series offers clean, functional styling that is defined by its sleek low profile design and rugged construction. It combines LED performance and advanced LED thermal management technology and provides outdoor lighting that is both energy efficient and aesthetically pleasing.

The LED's performance and the driver's life are maximized by enclosing them in two separate cast aluminum housings. Sturdy Knuckle or Trunnion mount options.

The LED light assemblies come with 48 to 96 LED's. Multiple optical distribution patterns are available. Choose between 3000, 4000 or 5000 Kelvin temperature of the LEDs.

A durable polyester powder coat finish is guaranteed for five years; and is available in standard or custom colors.

The **VMF LED** series is an exceptional choice for building lighting, sign lighting, and other flood lighting applications.

Ordering Information

MODEL	OPTICS	ARRAYS	CURRENT	KELVIN	VOLTAGE	MOUNTING	FINISH	OPTIONS	OPTIONS
VMF-1	7x5	48LC	3 350mA	3K 3000K	UNV 120-277V	KM Knuckle Mount Slips over 2 3/8" Tenon with adjustable increments of 10"	BZ Bronze	PC-120 Button Type Photocell	UMAP Universal Mast Arm Fitter
	7x7	64LC	5 530mA	4K 4000K	8 347V		BK Black	PC-208 Button Type Photocell	ECLS Egg Crate Light Shield
	FN	80LC	7 700mA	5K 5000K	5 480V *347V & 480V not available in 32LC 350mA	TM Trunnion Mount adjustable up to 90° in 5" increments.	SBK Smooth Black	PC-240 Button Type Photocell	ADJLS Adjustable louver light shield
	FM	96LC	10 1050mA *Not available in 96LC			NM Nipple Mount slip threads over a 3/4" NPT, allows for up to 90° of vertical adjustment in 10° increments from horizontal	WH White	PC-277 Button Type Photocell	BD Barn Door Light Shield
						SWH Smooth White	GP Graphite	DIM 0-10v Dimming Driver	
						AWM Adjustable Wall Mount allows for up to 70° of vertical adjustment in 10° increments from horizontal	GY Grey		
							SL Silver Metallic		
							CC Custom Color		

Housing

Die cast aluminum LED housing with integral cooling fins for thermal management.

Mounting Arm/Driver Compartment

Durable cast aluminum driver compartment opens for easy access to removable driver(s) for ease of maintenance, and cooler driver operation; and are sealed with one-piece silicone gaskets.

Thermal Management

The VMF series provides excellent thermal management by mounting the LED's to the substantial heat sink of the housing. This enables the Luminaire to withstand higher ambient temperatures and driver currents without degrading LED life.

The L70 test determines the point in an LEDs life when it reaches 70 percent of its initial output. The V-Flood series LED's have been determined to last 90,000+ hours in 25° C environments when driven at 700 mA.

Optical System

The highest lumen output LEDs are utilized in the VMF series. Multiple flood optical patterns are available.

CRI values are 70.

Quali-Guard® Finish

The finish is a Quali-Guard® textured, chemically pretreated through a multiple-stage washer, electrostatically applied, thermoset polyester powder coat finish, with a minimum of 3-5 millimeter thickness. Finish is oven-baked at 400° F to promote maximum adherence and finish hardness. All finishes are available in standard and custom colors.

Finish is guaranteed for five (5) years.

Electrical Assembly

The VMF series is supplied with a choice of 350, 530, 700 or 1000 mA high-performance LED drivers that accept 120v thru 480v, 50 Hz to 60 Hz, input. Power factor of 90%. Rated for -40 oC operations.

10 kV surge protector supplied as standard.

Warranty

Five (5) year Limited Warranty on entire system, including finish. For full warranty information, please visit VisionaireLighting.com.

Options

- Button Type Photocell
- 0-10v Dimming Driver
- UMAP
- Egg Crate Light Shield
- Adjustable Louver Light Shield
- Barn Door Shield

Listings

- The VMF Series is cUL Listed
- Powder Coated Tough
- DLC Listed
- IDA Certification
- IP66



DesignLights Consortium (DLC) qualified Product. Some configurations of this product family may not be DesignLights Consortium (DLC) listed, please refer to the DLC qualified products list to confirm listed configurations. <http://www.designlights.org/> 3000K must be selected for IDA certification.

VMF - Electrical Load (A)							
Ordering Nomenclature	System Watts	120V	208V	240V	277V	347V	480V
VMF-1-FM-48LC-3-4K	52	0.43	0.25	0.22	0.19	0.15	0.11
VMF-1-FM-48LC-5-4K	78	0.65	0.38	0.32	0.28	0.22	0.16
VMF-1-FM-48LC-7-4K	106	0.88	0.51	0.44	0.38	0.31	0.22
VMF-1-FM-48LC-10-4K	160	1.33	0.77	0.67	0.58	0.46	0.33
VMF-1-FM-64LC-3-4K	73	0.61	0.35	0.30	0.26	0.21	0.15
VMF-1-FM-64LC-5-4K	106	0.88	0.51	0.44	0.38	0.31	0.22
VMF-1-FM-64LC-7-4K	140	1.17	0.67	0.58	0.51	0.40	0.29
VMF-1-FM-64LC-10-4K	219	1.82	1.05	0.91	0.79	0.63	0.46
VMF-1-FM-80LC-3-4K	88	0.73	0.42	0.37	0.32	0.25	0.18
VMF-1-FM-80LC-5-4K	131	1.09	0.63	0.55	0.47	0.38	0.27
VMF-1-FM-80LC-7-4K	176	1.47	0.85	0.73	0.64	0.51	0.37
VMF-1-FM-80LC-10-4K	275	2.29	1.32	1.15	0.99	0.79	0.57
VMF-1-FM-96LC-3-4K	104	0.87	0.50	0.43	0.38	0.30	0.22
VMF-1-FM-96LC-5-4K	157	1.31	0.75	0.65	0.57	0.45	0.33
VMF-1-FM-96LC-7-4K	212	1.77	1.02	0.88	0.77	0.61	0.44

Photometric Optical Summary



EPA Data



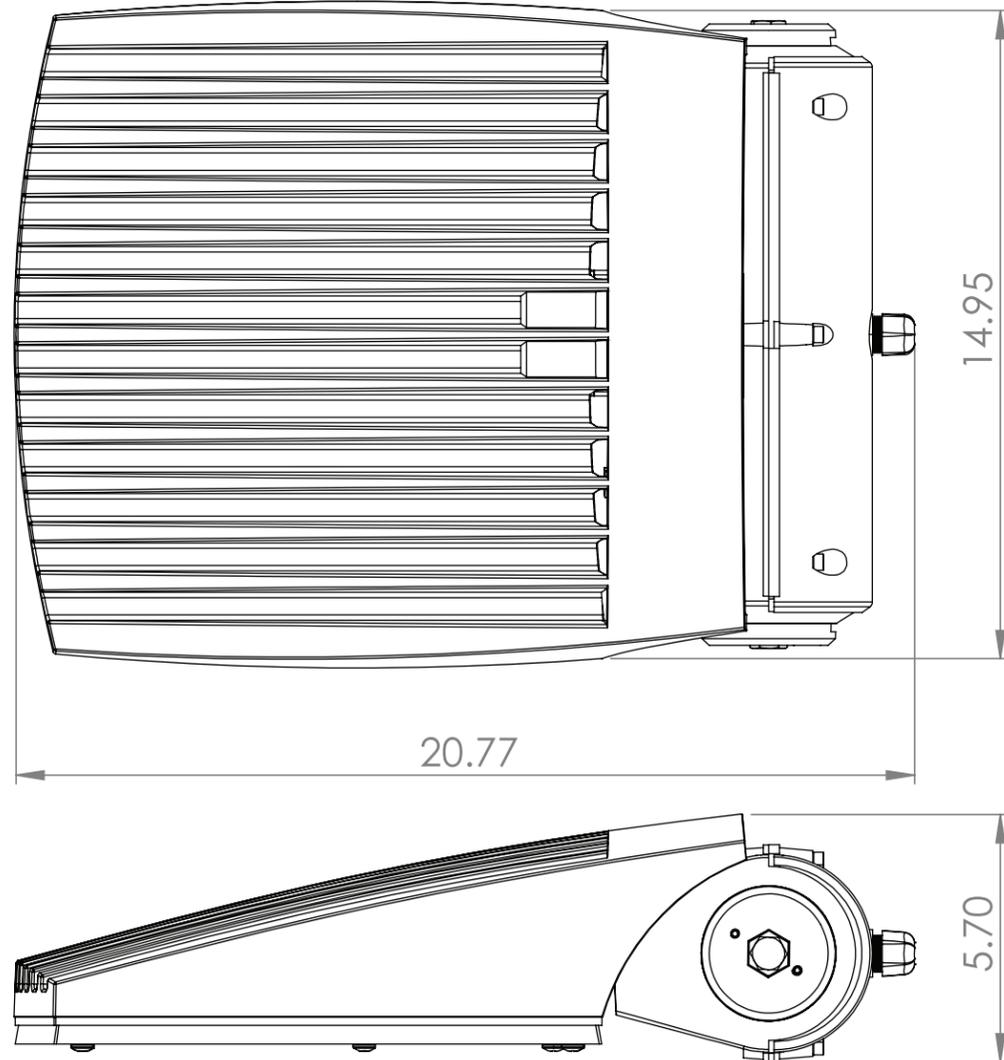
Dimensions

Width: VMF-1 15.5"

Depth: VMF-1 22"/30"

Height: VMF-1 5.5"

Weight: 45 LBS

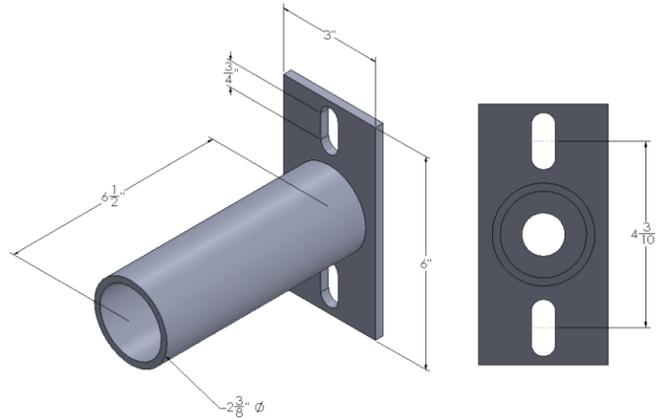


VMF 3K Lumen Data							VMF 3K LPW Data					
#LEDs	mA	7x5	7x7	FN	FM	Watts	#LEDs	mA	7x5	7x7	FN	FM
48	350	7230	7333	7688	7420	52	48	350	139	141	139	141
	530	9700	9838	10314	9954	78		530	124	126	124	126
	700	12646	12826	13447	12977	106		700	119	121	119	121
	1050	17316	17563	18413	17770	160		1050	108	110	108	110
64	350	9207	9338	9790	9448	73	64	350	126	128	126	128
	530	13612	13806	14474	13968	106		530	128	130	128	130
	700	16702	16940	17760	17140	140		700	119	121	119	121
	1050	22966	23293	24421	23568	219		1050	105	106	105	106
80	350	11385	11547	12106	11684	88	80	350	129	131	129	131
	530	16457	16691	17499	16888	131		530	126	127	126	127
	700	20584	20878	21888	21124	176		700	117	119	117	119
	1050	28708	29117	30526	29460	275		1050	104	106	104	106
96	350	13564	13757	14423	13919	104	96	350	131	133	131	133
	530	19301	19576	20524	19807	157		530	123	125	123	125
	700	24467	24815	26017	25108	212		700	115	117	115	117
	VMF 4K Lumen Data							VMF 4K LPW Data				
#LEDs	mA	7x5	7x7	FN	FM	Watts	#LEDs	mA	7x5	7x7	FN	FM
48	350	7611	7719	8093	7810	52	48	350	146	148	146	148
	530	10210	10356	10857	10478	78		530	131	133	131	133
	700	13311	13501	14154	13660	106		700	126	127	126	127
	1050	18227	18487	19382	18705	160		1050	114	116	114	116
64	350	9692	9830	10305	9946	73	64	350	133	135	133	135
	530	14328	14532	15236	14704	106		530	135	137	135	137
	700	17581	17831	18695	18042	140		700	126	127	126	127
	1050	24175	24519	25706	24808	219		1050	110	112	110	112
80	350	11985	12155	12744	12299	88	80	350	136	138	136	138
	530	17323	17569	18420	17777	131		530	132	134	132	134
	700	21668	21977	23040	22236	176		700	123	125	123	125
	1050	30219	30649	32133	31011	275		1050	110	111	110	111
96	350	14277	14481	15182	14652	104	96	350	138	140	138	140
	530	20317	20607	21604	20850	157		530	130	132	130	132
	700	25755	26122	27386	26429	212		700	121	123	121	123
	VMF 5K Lumen Data							VMF 5K LPW Data				
#LEDs	mA	7x5	7x7	FN	FM	Watts	#LEDs	mA	7x5	7x7	FN	FM
48	350	7303	7407	7766	7495	52	48	350	140	142	140	142
	530	9798	9937	10418	10054	78		530	126	127	126	127
	700	12773	12955	13583	13108	106		700	121	122	121	122
	1050	17491	17740	18599	17949	160		1050	109	111	109	111
64	350	9300	9433	9889	9544	73	64	350	128	130	128	130
	530	13749	13945	14620	14109	106		530	129	131	129	131
	700	16871	17111	17939	17313	140		700	121	122	121	122
	1050	23198	23529	24668	23806	219		1050	106	107	106	107
80	350	11500	11664	12229	11802	88	80	350	131	133	131	133
	530	16623	16860	17676	17058	131		530	127	129	127	129
	700	20792	21089	22109	21337	176		700	118	120	118	120
	1050	28998	29411	30835	29758	275		1050	105	107	105	107
96	350	13701	13896	14568	14060	104	96	350	132	134	132	134
	530	19496	19774	20731	20007	157		530	124	126	124	126
	700	24714	25066	26280	25362	212		700	117	118	117	118

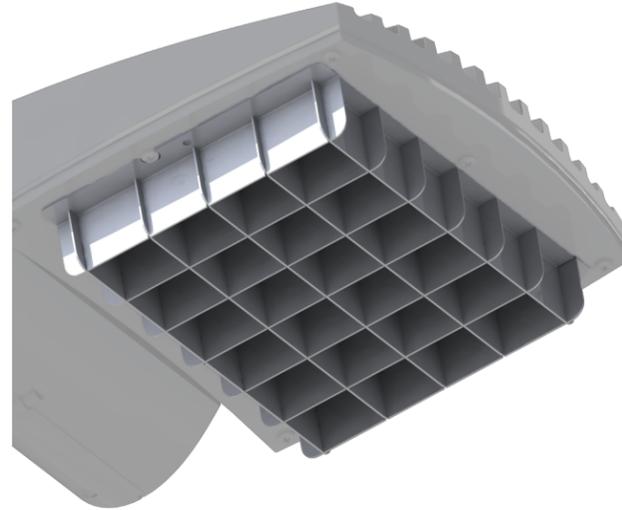
VMF Options

Universal Mast Arm Fitter

UMAP – The Universal Mast Arm Fitter is a simple solution for retrofit applications where a fixture needs to mount to an existing pole, the UMAP is meant to be used with knuckle mounts and also Mast Arm Fitters. The UMAP has a bolt slot ranging from 7" all the way down to 3.5". The UMAP also has a Round Pole Plate Adaptor (RPP) for mounting to round poles.



Egg Crate Light Shield



Adjustable Louver Light Shield



Barn Door Light Shield



VMF Mounting Options

Knuckle Mount



An adjustable knuckle slip fits over a 2-3/8" Tenon, and allows for up to 90 degrees of vertical adjustment in 10 degree increments from horizontal, as well as full side to side adjustment with the knuckle mount.

Trunnion Mount



Trunnion Mount is adjustable up to 90 degrees in 5 degree increments.

Nipple Mount



An adjustable knuckle that threads onto a 3/4" NPT, and allows for up to 90 degrees of vertical adjustment in 10 degree increments from horizontal.

Adjustable Wall Mount



A Wall Mount that allows for up to 70 degrees of vertical adjustment in 10 degree increments from horizontal.



VSF - LED Luminaire

The new V-Flood LED Series offers clean, functional styling that is defined by its sleek low profile design and rugged construction. It combines the latest LED performance and advanced LED thermal management technology, and provides lighting that is both energy efficient and aesthetically pleasing. Choose from 16 to 48 LEDs that looks perfect with any of the LED configurations; thereby enabling the lighting designer to tailor the lighting to the application needs; while maintaining a uniform appearance throughout the entire project. Choose from a 2,100 to 19,000+ lumen package with life expectancy of well over 20 years or 100,000 hours of operation.

Fixture Construction

- Cast aluminum housing with integrated heat sink for maximum thermal management of the LEDs for extreme long life of the LEDs.
- Two mounting options for ease of installation.
- Engineered optical assemblies with Nine distribution patterns.

LED Technology

- 16 to 48 LEDs.
- 350, 530, 700 or 1000 mA ratings.
- 2,000 to 19,000 lumen package available.
- 4000 or 5000 Kelvin for natural or white light.
- Nine optical distribution patterns.
- 60,000 to 100,000 hours or more of life for the LEDs.

Applications

The V-Flood LED Series is destined to become the standard for which LED lights are measured. Simple flowing lines that house scalable LEDs that replace traditional HID fixtures; for a wide range of lighting applications. For sign lighting, building lighting, and other flood lighting applications, the V-Flood LED series is the transition of LED lighting into tomorrow.





Project Name:
Catalog Number:
Type:

The new **VSF LED** Series offers clean, functional styling that is defined by its sleek low profile design and rugged construction. It combines LED performance and advanced LED thermal management technology and provides outdoor lighting that is both energy efficient and aesthetically pleasing.

The LED's performance and the driver's life are maximized by enclosing them in two separate cast aluminum housings.

The LED light assemblies come with 16 to 48 LED's. Multiple optical distribution patterns are available. Choose between 3000, 4000 or 5000 Kelvin temperature of the LEDs.

A durable polyester powder coat finish is guaranteed for five years; and is available in standard or custom colors.

The **VSF LED** series is an exceptional choice for building lighting, sign lighting, and other flood lighting applications.

Ordering Information

MODEL	OPTICS	ARRAYS	CURRENT	KELVIN	VOLTAGE	MOUNTING	FINISH	OPTIONS	OPTIONS
VSF-1	7x5	16LC <small>*347/480V Not Available</small>	3 350mA	3K 3000K	UNV 120-277V	KM Knuckle Mount <small>Slips over 2 3/8" Tenon with adjustable increments of 10"</small>	BZ Bronze	PC-120 Button Type Photocell	UMAP Universal Mast Arm Fitter
	7x7	32LC <small>*347/480V Not Available at 350mA</small>	5 530mA	4K 4000K	8 347V		BK Black	PC-208 Button Type Photocell	ECLS Egg Crate Light Shield
	FN		7 700mA	5K 5000K	5 480V <small>*347V & 480V not available in 32LC 350mA</small>	TM Trunnion Mount <small>adjustable up to 90° in 5° increments.</small>	SBK Smooth Black	PC-240 Button Type Photocell	ADJLS Adjustable louver light shield
	FM	48LC					WH White	PC-277 Button Type Photocell	BD Barn Door Light Shield
						NM Nipple Mount <small>slip threads over a 3/4" NPT, allows for up to 90° of vertical adjustment in 10° increments from horizontal</small>	SWH Smooth White	DIM 0-10v Dimming Driver	
						AWM Adjustable Wall Mount <small>allows for up to 70° of vertical adjustment in 10° increments from horizontal</small>	GP Graphite		
							GY Grey		
							SL Silver Metallic		
							CC Custom Color		

Features & Specifications

Housing

Cast aluminum LED housing with integral cooling fins for thermal management.

Mounting Arm/Driver Compartment

Durable cast aluminum driver compartment opens for easy access to removable driver(s) for ease of maintenance, and cooler driver operation; and are sealed with one-piece silicone gaskets.

Thermal Management

- The VSF series provides excellent thermal management by mounting the LED's to the substantial heat sink of the housing. This enables the Luminaire to withstand higher ambient temperatures and driver currents without degrading LED life.
- The L70 test determines the point in an LEDs life when it reaches 70 percent of its initial output. The VSF series LED's have been determined to last 80,000+ hours in 25° C environments when driven at 350 mA.

Optical System

- The highest lumen output LEDs are utilized in the V-Flood series. Multiple flood optical patterns are available.
- CRI values are 70.

Quali-Guard® Finish

- The finish is a Quali-Guard® textured, chemically pretreated through a multiple-stage washer, electrostatically applied, thermoset polyester powder coat finish, with a minimum of 3-5 millimeter thickness. Finish is oven-baked at 400° F to promote maximum adherence and finish hardness. All finishes are available in standard and custom colors.
- Finish is guaranteed for five (5) years.

Electrical Assembly

- The VSF LED series is supplied with a choice of 350,530 or 700 mA high-performance LED drivers that accept 120v thru 480v, 50 Hz to 60 Hz, input. Power factor of 90%. Rated for -40 oC operations.
- 10 kV surge protector supplied as standard.

Warranty

Five (5) year Limited Warranty on entire system, including finish. For full warranty information, please visit VisionaireLighting.com.

Options

- Button Type Photocell
- 0-10v Dimming Driver
- UMAP
- Egg Crate Light Shield
- Adjustable Louver Light Shield
- Barn Door Shield

Listings

- The VSF is UL Listed, suitable for wet locations.
- Powder Coated Tough.
- DLC Listed
- IDA Certification
- IP66



DesignLights Consortium (DLC) qualified Product. Some configurations of this product family may not be DesignLights Consortium (DLC) listed, please refer to the DLC qualified products list to confirm listed configurations. <http://www.designlights.org/> 3000K must be selected for IDA certification.

VSF - Electrical Load (A)							
Ordering Nomenclature	System Watts	120V	208V	240V	277V	347V	480V
VSF-1-FN-16-3-4K	18	0.15	0.09	0.08	0.06	0.05	0.04
VSF-1-FN-16-5-4K	26	0.22	0.12	0.11	0.09	0.07	0.05
VSF-1-FN-16-7-4K	37	0.31	0.18	0.15	0.13	0.11	0.08
VSF-1-FN-32-3-4K	37	0.31	0.18	0.15	0.13	0.11	0.08
VSF-1-FN-32-5-4K	52	0.43	0.25	0.22	0.19	0.15	0.11
VSF-1-FN-32-7-4K	74	0.62	0.36	0.31	0.27	0.21	0.15
VSF-1-FN-48-3-4K	55	0.46	0.26	0.23	0.20	0.16	0.11
VSF-1-FN-48-5-4K	78	0.65	0.38	0.32	0.28	0.22	0.16
VSF-1-FN-48-7-4K	105	0.88	0.50	0.44	0.38	0.30	0.22

Photometric Optical Summary



EPA Data

1.36

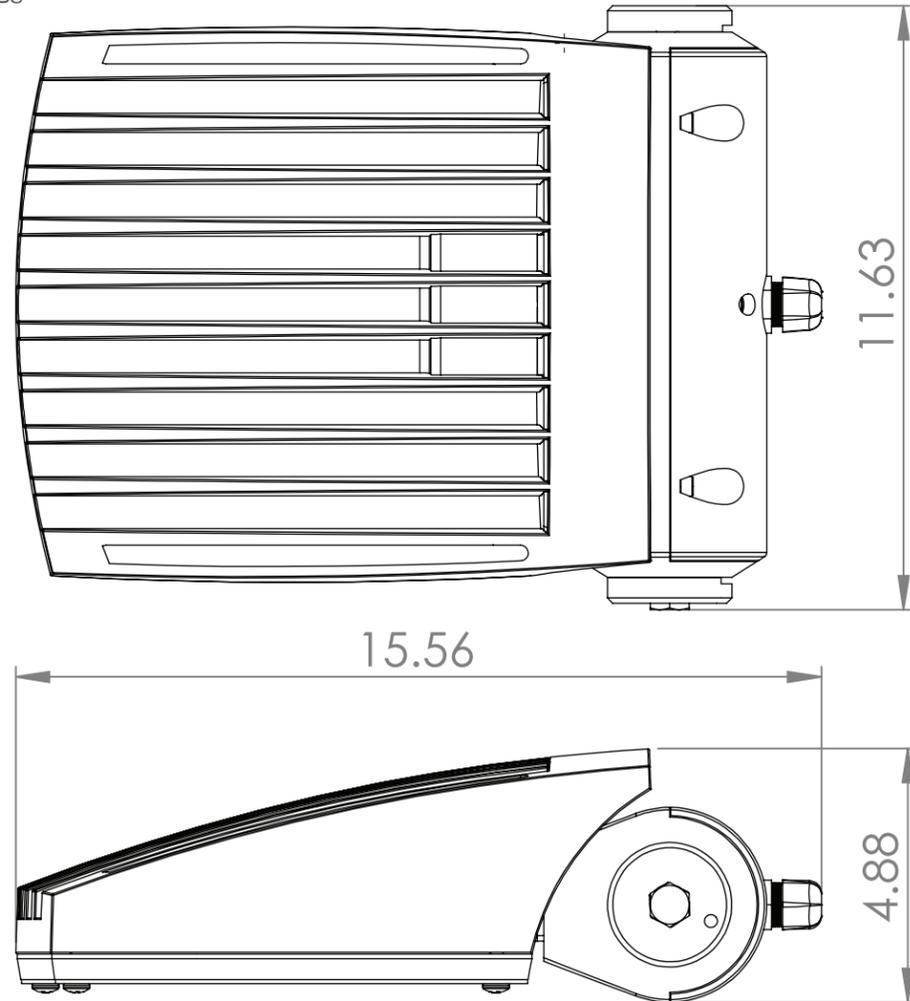
Dimensions

Width: VSF-1 10.5

Depth: VSF-1 23.75

Height: VSF-1 4.75

Weight: 40 LBS

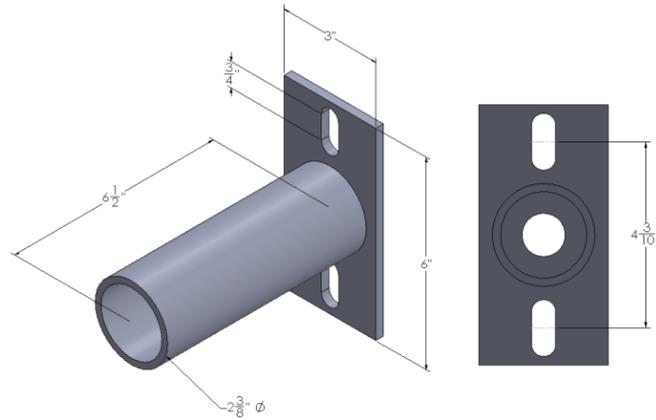


VSF 3K Lumen Data							VSF 3K LPW Data					
#LEDs	mA	7x5	7x7	FN	FM	Watts	#LEDs	mA	7x5	7x7	FN	FM
16	350	2274	2231	2443	2481	18	16	350	126	124	136	138
	530	3052	2993	3278	3329	26		530	117	115	126	128
	700	4028	3950	4326	4395	37		700	109	107	117	119
32	350	4580	4492	4919	4997	37	32	350	124	121	133	135
	530	6145	6026	6600	6704	52		530	118	116	127	129
	700	8111	7955	8711	8849	74		700	110	108	118	120
48	350	6870	6738	7379	7495	55	48	350	125	123	134	136
	530	9218	9040	9900	10057	78		530	118	116	127	129
	700	12166	11932	13067	13274	105		700	116	114	124	126
VSF 4K Lumen Data							VSF 4K LPW Data					
#LEDs	mA	7x5	7x7	FN	FM	Watts	#LEDs	mA	7x5	7x7	FN	FM
16	350	2394	2348	2571	2612	18	16	350	133	130	143	145
	530	3212	3150	3450	3505	26		530	124	121	133	135
	700	4240	4158	4554	4626	37		700	115	112	123	125
32	350	4821	4728	5178	5260	37	32	350	130	128	140	142
	530	6468	6344	6947	7057	52		530	124	122	134	136
	700	8538	8373	9170	9315	74		700	115	113	124	126
48	350	7232	7092	7767	7890	55	48	350	131	129	141	143
	530	9703	9516	10421	10586	78		530	124	122	134	136
	700	12807	12560	13755	13973	105		700	122	120	131	133
VSF 5K Lumen Data							VSF 5K LPW Data					
#LEDs	mA	7x5	7x7	FN	FM	Watts	#LEDs	mA	7x5	7x7	FN	FM
16	350	2297	2253	2468	2507	18	16	350	128	125	137	139
	530	3082	3023	3311	3363	26		530	119	116	127	129
	700	4069	3990	4370	4439	37		700	110	108	118	120
32	350	4626	4537	4969	5047	37	32	350	125	123	134	136
	530	6207	6087	6667	6772	52		530	119	117	128	130
	700	8193	8035	8799	8939	74		700	111	109	119	121
48	350	6939	6806	7453	7571	55	48	350	126	124	136	138
	530	9311	9131	10000	10158	78		530	119	117	128	130
	700	12289	12052	13199	13408	105		700	117	115	126	128

VSF Options

Universal Mast Arm Fitter

UMAP – The Universal Mast Arm Fitter is a simple solution for retrofit applications where a fixture needs to mount to an existing pole, the UMAP is meant to be use to with knuckle mounts and also Mast Arm Fitters. The UMAP has a bolt slot ranging from 7" all the way down to 3.5". The UMAP also has a Round Pole Plate Adaptor (RPP) for mounting to round poles.



Egg Crate Light Shield



Adjustable Louver Light Shield



Barn Door Light Shield



VSF Mounting Options

Trunnion Mount



Trunnion Mount is adjustable up to 90 degrees in 5 degree increments.

Knuckle Mount



An adjustable knuckle slip fits over a 2-3/8" Tenon, and allows for up to 90 degrees of vertical adjustment in 10 degree increments from horizontal, as well as full side to side adjustment with the knuckle mount.

Adjustable Wall Mount



A Wall Mount that allows for up to 70 degrees of vertical adjustment in 10 degree increments from horizontal.

Nipple Mount



An adjustable knuckle slip threads over a 3/4" NPT, and allows for up to 90 degrees of vertical adjustment in 10 degree increments from horizontal.



V-Bollard LED Luminaire



The V-Bollard LED Luminaire from Visionaire combines unique contemporary design with LED technology and provides optimum lighting and energy savings over traditional lighting systems. Choose the Architectural LED Luminaire for pedestrian scale or the bollard for low level applications.

LED Technology

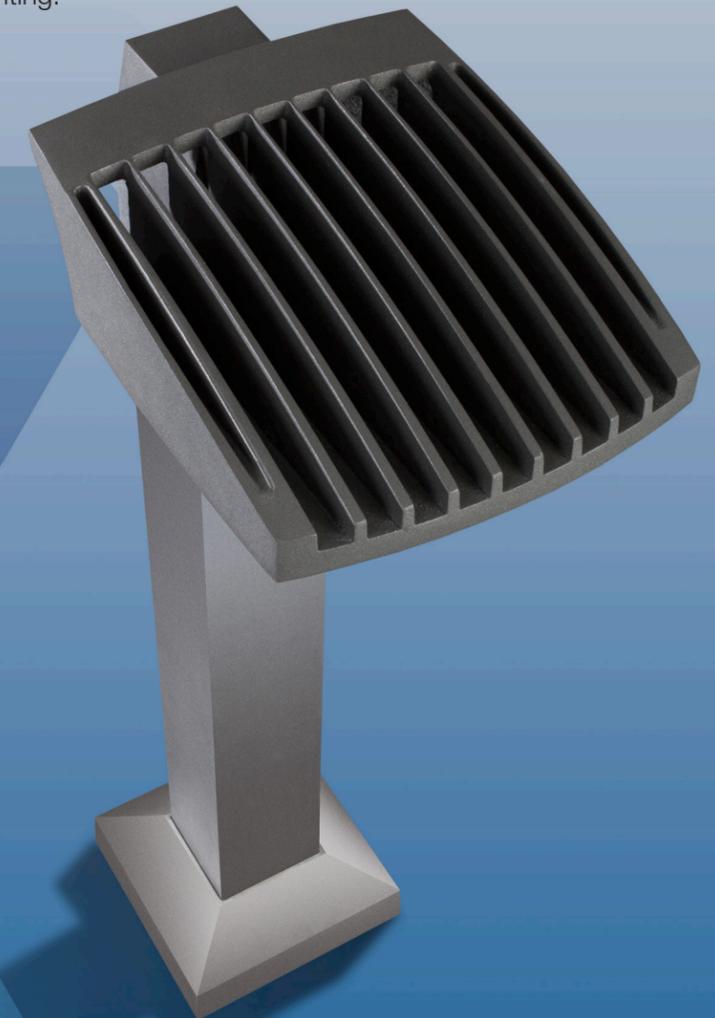
- 16 to 48 LED' Arrays in the single, 96 in the double available in 350, 530, 700, 1000, 1200 or 1400 mA ratings.
- 3000, 4000 or 5000 Kelvin for warm, natural or white light.
- Full cutoff optics available in six distribution patterns.
- 50,000 to 140,000 hours of life for the LEDs.

Construction

- Cast aluminum construction throughout provides lasting durability for the V-Bollard LED series.
- The separate driver compartment allows for cooler operation and longer life of the driver.
- Driver maintenance is simplified with quick disconnects provided as a standard feature.
- The LEDs are mounted to an cast aluminum heat sink built to draw heat away from the LED junction points for extended LED life; and are housed totally independent from the driver.

Applications

- The V-Bollard LED series can be used for a variety of lighting projects.
- Low level lighting for pathways and landscape lighting.
- Higher level lighting for pedestrian and walkway lighting.





Project Name:

Catalog Number:

Type:

The new **V-Bollard LED** Series continues the unique contemporary design inspired by the sleek styling of the V-Collection. Separating the Driver(s) from the individual cast aluminum LED Array engines: optimize the life of the LEDs and the Driver(s); and maximizes the lumen output of the fixture.

The LED light assemblies come in multiples of 16, 32 or 48 LEDs per single fixture; and 64 or 96 LED Arrays in a double fixture configuration.

Six optical distribution patterns are available. Choose between 3000, 4000 or 5000 Kelvin temperature of the LED's.

A durable polyester powdercoat finish is guaranteed for five years; and is available in standard or custom colors.

The **V-Bollard LED** series is an exceptional choice for low level or pedestrian scale lighting applications.

Ordering Information

MODEL	HEIGHT	OPTICS	SOURCE	CONFIG.	CURRENT	KELVIN	VOLTAGE	MOUNTING	FINISH	OPTIONS	
VBL-1	3 36"	T1	16LC	S Single	3 350mA	3K 3000K	UNV 120-277V	AB Anchor Base (ANCHOR BOLT KIT SUPPLIED)	BZ Bronze	PC-120 Button Type Photocell	
		T2	32LC		5 530mA	4K 4000K	8 347V		BK Black	PC-208 Button Type Photocell	
	3.5 42"	T3	48LC	D Double	7 700mA	5K 5000K	5 480V		SBK Smooth Black	PC-240 Button Type Photocell	
		T4	64LC		10 1000mA				WH White	PC-277 Button Type Photocell	
	4 48"	T5	96LC Double configuration only						SWH Smooth White	DIM 0-10v Dimming Driver	
	8 96"	T5W							GP Graphite		
	9 108"								GY Grey		
	10 120"								SL Silver Metallic		
										CC Custom Color	

*1000mA not available for 48LC single or 96LC double

Housing

Cast aluminum heatsink with integral cooling fins for thermal management. The 4" extruded pole contains the driver(s), allowing for cooler operation and longer life. Silicone gasketing is utilized throughout the fixture for weather tight operation.

Thermal Management

- The V-Bollard Series provides excellent overall thermal management by maximizing the fixture's heatsink capabilities. This enables the V-Bollard Series to withstand higher ambient temperatures and drive currents without degrading LED life. The V-Bollard Series has a very low thermal resistance rating.
- The L70 test determines the point in an LEDs life when it reaches 70 percent of its initial output. The V-Bollard Series LEDs have been determined to last a minimum of 100,000 hours in 25° C environments when driven at 350 mA.

Optical System

- The highest lumen output LEDs are utilized in the V-Bollard Series. IES distribution Types I, II, III, IV, VS and VL are available. LED light assemblies come in multiples of 16 LED Arrays. The optical system qualifies as IES full cutoff to restrict light trespass, glare and light pollution.
- CRI values are 70.

Quali-Guard® Finish

The finish is a Quali-Guard® textured, chemically pretreated through a multiple-stage washer, electrostatically applied, thermoset polyester powder coat finish, with a minimum of 3-5 millimeter thickness. Finish is oven-baked at 400° F to promote maximum adherence and finish hardness. All finishes are available in standard and custom colors. Finish is guaranteed for five (5) years

Mounting

The V-Bollard Luminaire is easily attached to the pole by 2 tamper-proof countersunk screws.

Electrical Assembly

- The V-Bollard LED series is supplied with a choice of 350, 530, 700, 1000 mA high-performance LED drivers that accept 120v, 50 Hz to 60 Hz, input. Power factor of 90%. Rated for -40°C operations.
- 10 kV surge protector supplied as standard.

Warranty

Five (5) year Limited Warranty on electrical components, Five (5) year on finish. For full warranty information, please visit visionairelighting.com.

Options

- Button Type Photocell
- 0-10v Dimming Driver

Listings

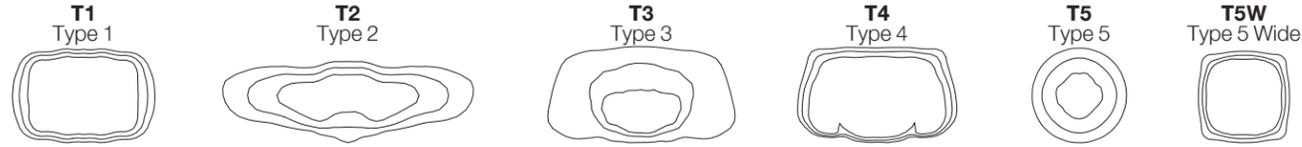
- The V-Bollard is cUL Listed, suitable for wet locations.
- IP-65 Rated
- Powder Coated Tough.
- IDA Certification



3000K must be selected for IDA certification.

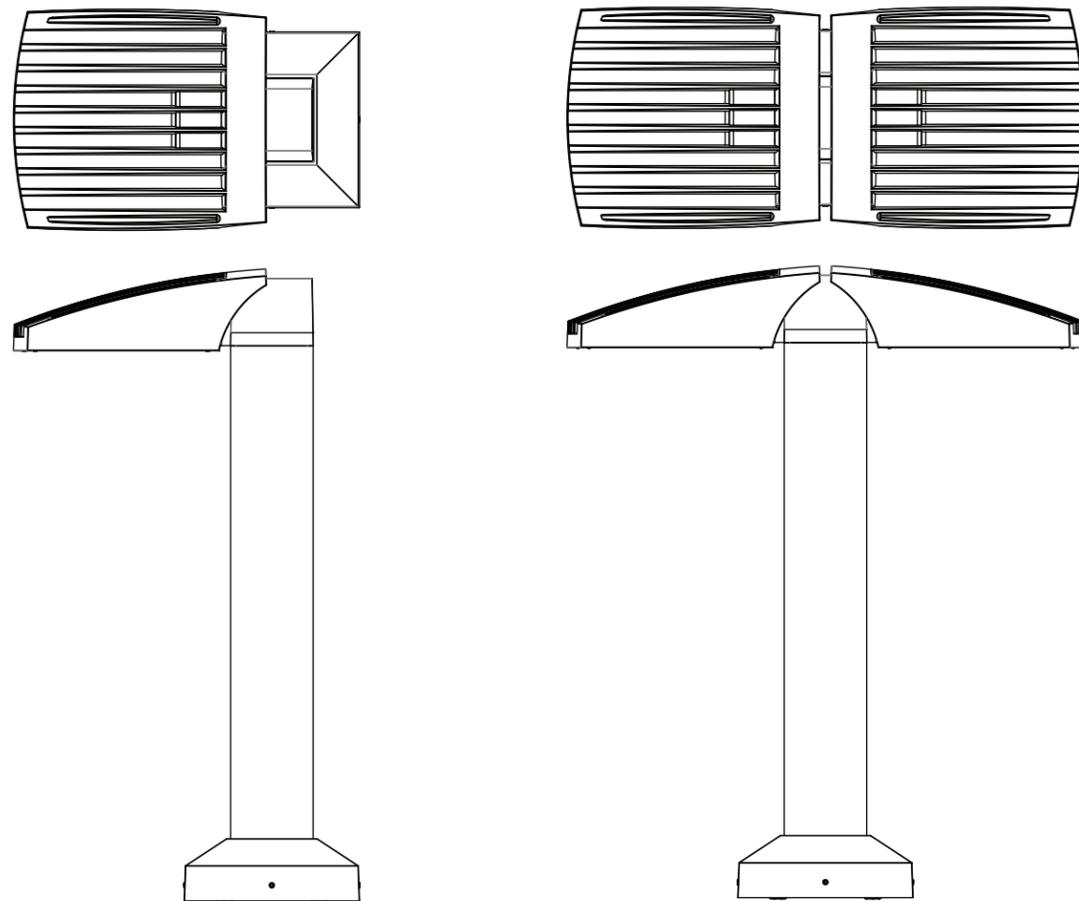
VBL-1 - Electrical Load (A)							
Ordering Nomenclature	System Watts	120V	208V	240V	277V	347V	480V
VBL-1-T3-16LC-3 (Single)	18	0.15	0.09	0.08	0.06	0.05	0.04
VBL-1-T3-16LC-5 (Single)	26	0.22	0.13	0.11	0.09	0.07	0.05
VBL-1-T3-16LC-7 (Single)	37	0.31	0.18	0.15	0.13	0.11	0.08
VBL-1-T3-16LC-10 (Single)	56	0.47	0.27	0.23	0.20	0.16	0.12
VBL-1-T3-32LC-3 (Single)	37	0.31	0.18	0.15	0.13	0.11	0.08
VBL-1-T3-32LC-5 (Single)	52	0.43	0.25	0.22	0.19	0.15	0.11
VBL-1-T3-32LC-7 (Single)	74	0.62	0.36	0.31	0.27	0.21	0.15
VBL-1-T3-48LC-3 (Single)	55	0.46	0.26	0.23	0.20	0.16	0.11
VBL-1-T3-48LC-5 (Single)	78	0.65	0.38	0.33	0.28	0.22	0.16
VBL-1-T3-48LC-7 (Single)	105	0.88	0.50	0.44	0.38	0.30	0.22
VBL-1-T3-64LC-3 (Double)	74	0.62	0.36	0.31	0.27	0.21	0.15
VBL-1-T3-64LC-5 (Double)	104	0.87	0.50	0.43	0.38	0.30	0.22
VBL-1-T3-64LC-7 (Double)	148	1.23	0.71	0.62	0.53	0.43	0.31
VBL-1-T3-96LC-3 (Double)	110	0.92	0.53	0.46	0.40	0.32	0.23
VBL-1-T3-96LC-5 (Double)	156	1.30	0.75	0.65	0.56	0.45	0.33
VBL-1-T3-96LC-7 (Double)	210	1.75	1.01	0.88	0.76	0.61	0.44

Photometric Optical Summary



Dimensions

Width:	VBL-1 10.5"
Height:	VBL-1 4"
Depth:	VBL-1 14.5"/25"
Weight:	VBL-1 27/40 LBS



4K Lumen Data Chart Updated 09.19.19																										
# of LEDS	mA	T1	B	U	G	T2	B	U	G	T3	B	U	G	T4	B	U	G	T5	B	U	G	T5W	B	U	G	Watts
16 1 Side	350	2540	1	0	1	2337	1	0	1	2355	1	0	1	2305	1	0	1	2483	1	0	1	2348	2	0	1	18
	530	3408	2	0	2	3135	1	0	1	3160	1	0	1	3093	1	0	1	3331	2	0	1	3150	2	0	1	26
	700	4498	2	0	2	4138	1	0	2	4171	1	0	1	4082	1	0	1	4397	2	0	1	4158	2	0	1	37
	1000	6367	3	0	3	5858	1	0	2	5905	1	0	2	5779	1	0	2	6224	3	0	1	5886	3	0	1	56
32 1 Side	350	5114	2	0	2	4706	1	0	2	4743	1	0	1	4642	1	0	1	5000	2	0	1	4728	3	0	1	37
	530	6862	3	0	3	6313	2	0	2	6364	1	0	2	6228	1	0	2	6708	3	0	1	6344	3	0	1	52
	700	9057	3	0	3	8333	2	0	3	8400	1	0	2	8221	2	0	2	8854	3	0	1	8373	3	0	2	74
48 1 Side	350	7671	3	0	3	7058	2	0	2	7115	1	0	2	6963	2	0	2	7500	3	0	1	7092	3	0	1	55
	530	10293	3	0	3	9470	2	0	3	9546	1	0	2	9342	2	0	2	10062	3	0	2	9516	3	0	2	78
	700	13586	3	0	3	12499	2	0	3	12600	2	0	2	12331	2	0	3	13281	3	0	2	12560	4	0	2	105
5K Lumen Data Chart Updated 09.19.19																										
# of LEDS	mA	T1	B	U	G	T2	B	U	G	T3	B	U	G	T4	B	U	G	T5	B	U	G	T5W	B	U	G	Watts
16 1 Side	350	2437	1	0	1	2242	1	0	1	2260	1	0	1	2212	1	0	1	2383	1	0	1	2253	2	0	1	18
	530	3270	2	0	2	3008	1	0	1	3033	1	0	1	2968	1	0	1	3197	2	0	1	3023	2	0	1	26
	700	4316	2	0	2	3971	1	0	2	4003	1	0	1	3918	1	0	1	4219	2	0	1	3990	2	0	1	37
	1000	6110	3	0	3	5621	1	0	2	5666	1	0	2	5545	1	0	2	5973	3	0	1	5648	3	0	1	56
32 1 Side	350	4908	2	0	2	4515	1	0	2	4552	1	0	1	4454	1	0	1	4798	2	0	1	4537	3	0	1	37
	530	6585	3	0	3	6058	2	0	2	6107	1	0	2	5977	1	0	2	6437	3	0	1	6087	3	0	1	52
	700	8691	3	0	3	7996	2	0	3	8061	1	0	2	7889	2	0	2	8496	3	0	1	8035	3	0	2	74
48 1 Side	350	7362	3	0	3	6773	2	0	2	6827	1	0	2	6682	1	0	2	7197	3	0	1	6806	3	0	1	55
	530	9877	3	0	3	9087	2	0	3	9160	1	0	2	9865	2	0	2	9656	3	0	2	9131	3	0	2	78
	700	13037	3	0	3	11994	2	0	3	12091	2	0	2	11833	2	0	3	12745	3	0	2	12052	4	0	2	105

Visit www.visionairelighting.com for up-to-the-minute chart information. *Multiply 4K Values by .95 for 3K

VMS LED Luminaire



The VMS LED Series offers clean, functional styling that is defined by its sleek low profile design and rugged construction. It combines the latest LED performance and advanced LED thermal management technology, and provides lighting that is both energy efficient and aesthetically pleasing. Choose from 48 to 96 LEDs that looks perfect with any of the LED configurations; thereby enabling the lighting designer to tailor the lighting to the application needs; while maintaining a uniform appearance throughout the entire project.

For general wall mount and pedestrian areas the VMS LED Array series brings contemporary LED lighting design into the 21st century.

Fixture Construction

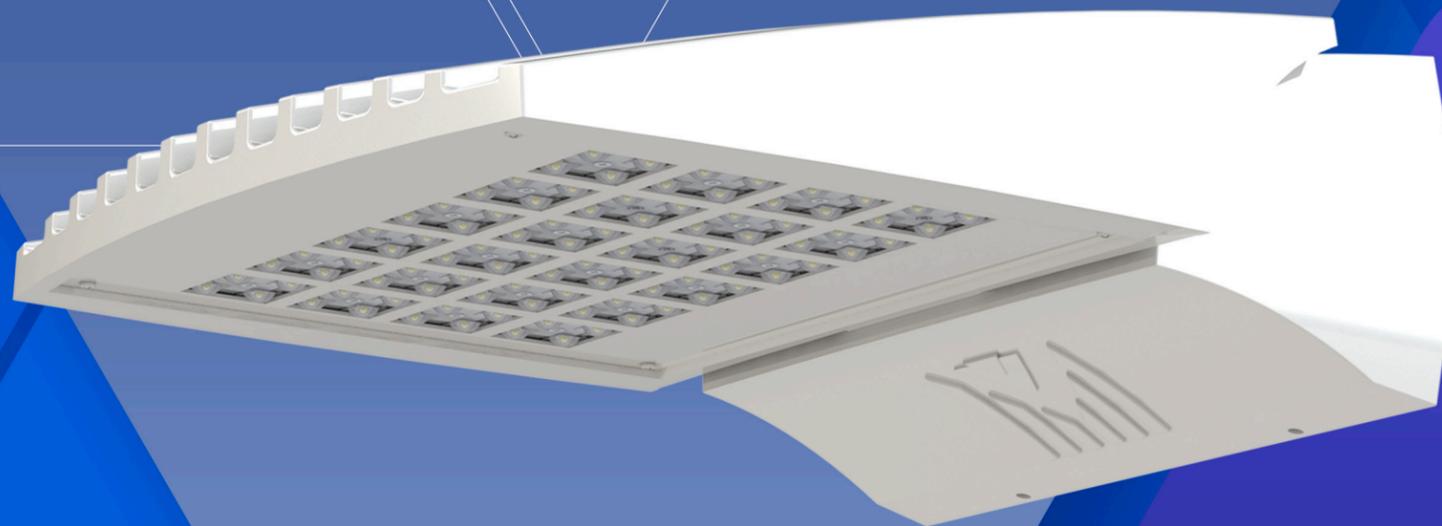
- Cast aluminum housing with integrated heat sink for maximum thermal management of the LEDs.
- A wall mounting design that simplifies the installation of the fixture.
- Engineered optical assemblies with three distribution patterns.

LED Technology

- 32 to 96 LEDs.
- 350, 530, 700, 1050 mA ratings.
- 3000, 4000 or 5000 Kelvin for warm, natural or white light.
- Full cutoff optics available in three distribution patterns.
- 69,000 to 126,000 hours or more of life for the LEDs.

Applications

The VMS LED Series is destined to become the standard for which LED lights are measured. Simple flowing lines that house scalable LEDs that replace traditional HID fixtures; for a wide range of lighting applications. From shopping centers to auto dealerships, college campuses; the VMS LED series is the transition of LED lighting into tomorrow.





Project Name: _____

Catalog Number: _____

Type: _____

The **VMS LED** wall mount Series continues the unique contemporary design that is inspired by the V-Collection series. It combines LED performance and advanced LED thermal management technology and provides lighting that is energy efficient and aesthetically pleasing.

The LED performance and the driver's life are maximized by enclosing them in two separate cast aluminum housings. Easy access for mounting and maintenance.

The LED light assemblies come with 48, 64, 80 or 96 LEDs.

Six optical distribution pattern are available. Choose between 3000, 4000 or 5000 Kelvin temperature for the LEDs.

A durable polyester powder coat finish is guaranteed for five years; and is available in standard or custom colors.

The **VMS LED** Series is an exceptional choice for office complexes, schools, commercial buildings, and many architectural projects.

Ordering Information

MODEL	OPTICS	SOURCE	CURRENT	KELVIN	VOLTAGE	MOUNTING	FINISH	OPTIONS
VMS-1	T1	48LC	3 350mA	3K 3000K	UNV 120-277V	WM Wall Mount	BZ Bronze	PC-120 Button Type Photocell
	T2	64LC	5 530mA	4K 4000K	8 347V		BK Black	PC-208 Button Type Photocell
	T3	80LC		5K 5000K	5 480V		SBK Smooth Black	PC-240 Button Type Photocell
	T4	96LC	7 700mA			WH White	PC-277 Button Type Photocell	
	FM		10 1050mA *Not Available in 96LC				SWH Smooth White	WSC-8 Motion Sensor 8' Mounting Height
	FN						GP Graphite	WSC-20 Motion Sensor 9-20' Mounting Height
							GY Grey	WSC-40 Motion Sensor 21-40' Mounting Height
							SL Silver Metallic	
							CC Custom Color	

*This option will require (1) FSIR 100 remote for programming

DIM
0-10v Dimming
Driver

UP
Up-Light
Orientation

Features & Specifications

Heatsink

Cast aluminum heatsink with integral cooling fins for thermal management.

Mounting/Driver Compartment

Durable two-piece cast aluminum driver compartment utilizes a quick mount/set screw mounting for ease of maintenance and sealed with a one-piece gasket.

Thermal Management

The VMS series provides excellent thermal management by mounting the LEDs to the substantial heat sink of the housing. This enables the Luminaire to withstand higher ambient temperatures and driver currents without degrading LED life.

The L70 test determines the point in an LEDs life when it reaches 70 percent of its initial output. The V Sconce series LEDs have been determined to last 100,000+ hours in 25° C environments when driven at 350 mA.

Optical System

The highest lumen output LEDs are utilized in the VMS series. IES distribution Flood Narrow, Flood Medium, T1, T2, T3 and T4 are available. The optical system qualifies as IES full cutoff to restrict light trespass, glare and light pollution.

CRI values are 70.

Quali-Guard® Finish

The finish is a Quali-Guard® textured, chemically pretreated through a multiple-stage washer, electrostatically applied, thermoset polyester powder coat finish, with a minimum of 3-5 millimeter thickness. Finish is oven-baked at 400° F to promote maximum adherence and finish hardness. All finishes are available in standard and custom colors.

Finish is guaranteed for five (5) years.

Electrical Assembly

- The VMS LED series is supplied with a choice of 350, 530, 700, 1000 mA high-performance LED drivers that accept 120v thru 480v, 50 Hz to 60 Hz, input.
- Power factor of 90%.
- Rated for -40°C operations.
- 10 kV surge protector supplied as standard.

Warranty

Five (5) year Limited Warranty on electrical components, Five (5) year on finish. For full warranty information, please visit visionairelighting.com

Options

- Button Type Photocell
- Motion Sensor
- 0-10 Volt Dimming Driver
- Up-Light Orientation

Listings

- The VMS is cUL Listed, suitable for wet locations
- IDA Certification
- Powder Coated Tough
- IP-65 Rated
- DLC Listed



DesignLights Consortium (DLC) qualified Product. Some configurations of this product family may not be DesignLights Consortium (DLC) listed, please refer to the DLC qualified products list to confirm listed configurations. <http://www.designlights.org/>
3000K must be selected for IDA certification.

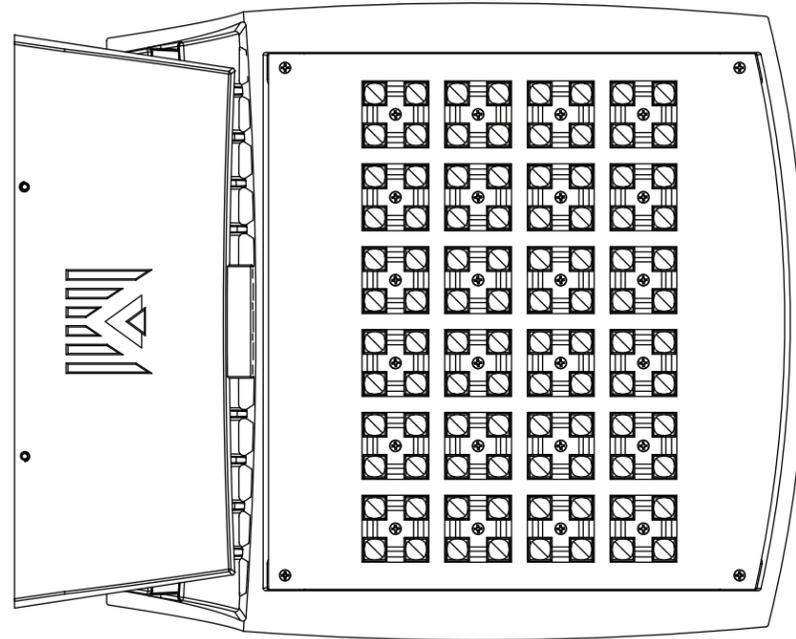
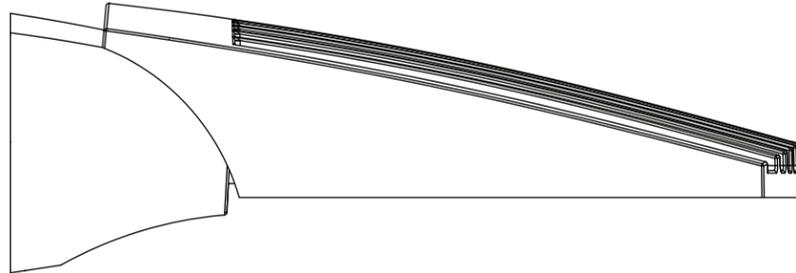
VMS-1 - Electrical Load (A)							
Ordering Nomenclature	System Watts	120V	208V	240V	277V	347V	480V
VMS-1-T3-48LC-3	52	0.43	0.25	0.22	0.19	0.15	0.11
VMS-1-T3-48LC-5	78	0.65	0.38	0.33	0.28	0.22	0.16
VMS-1-T3-48LC-7	106	0.88	0.51	0.44	0.38	0.31	0.22
VMS-1-T3-48LC-10	161	1.34	0.77	0.67	0.58	0.46	0.34
VMS-1-T3-64LC-3	70	0.58	0.34	0.29	0.25	0.20	0.15
VMS-1-T3-64LC-5	107	0.89	0.51	0.45	0.39	0.31	0.22
VMS-1-T3-64LC-7	142	1.18	0.68	0.59	0.51	0.41	0.30
VMS-1-T3-64LC-10	218	1.82	1.05	0.91	0.79	0.63	0.45
VMS-1-T3-80LC-3	87	0.73	0.42	0.36	0.31	0.25	0.18
VMS-1-T3-80LC-5	132	1.10	0.63	0.55	0.48	0.38	0.28
VMS-1-T3-80LC-7	177	1.48	0.85	0.74	0.64	0.51	0.37
VMS-1-T3-80LC-10	272	2.27	1.31	1.13	0.98	0.78	0.57
VMS-1-T3-96LC-3	104	0.87	0.50	0.43	0.38	0.30	0.22
VMS-1-T3-96LC-5	157	1.31	0.75	0.65	0.57	0.45	0.33
VMS-1-T3-96LC-7	212	1.77	1.02	0.88	0.77	0.61	0.44

Photometric Optical Summary



Dimensions

Width:	VMS-1 14"
Depth:	VMS-1 19"
Height:	VMS-1 6.5"
Weight:	36 LBS



3K DATA - Chart updated 08.27.19																																
# LEDs	Current (mA)	FN					FM					T1					T2					T3					T4					Watts
		Lumens	LPW	B	U	G	Lumens	LPW	B	U	G	Lumens	LPW	B	U	G	Lumens	LPW	B	U	G	Lumens	LPW	B	U	G	Lumens	LPW	B	U	G	
48	350	7688	148	4	0	1	7420	143	4	0	1	7311	141	3	0	3	6909	133	2	0	2	7243	139	2	0	2	6994	134	2	0	2	52
	530	10314	132	4	0	1	9954	127	4	0	1	9808	125	3	0	3	9269	118	2	0	2	9717	124	2	0	2	9383	120	2	0	2	78
	700	13447	127	4	0	1	12977	122	5	0	1	12786	121	3	0	3	12084	114	2	0	2	12668	120	3	0	3	12232	115	2	0	2	106
	1050	18413	114	5	0	1	17770	110	5	0	1	17509	109	4	0	4	16547	103	3	0	3	17347	108	3	0	3	16750	104	3	0	3	161
64	350	9790	140	4	0	1	9448	135	4	0	1	9309	133	3	0	3	8798	126	2	0	2	9223	132	2	0	2	8906	127	2	0	2	70
	530	14474	135	5	0	1	13968	131	5	0	1	13763	129	3	0	3	13007	122	3	0	3	13636	127	3	0	3	13167	123	2	0	2	107
	700	17760	125	5	0	1	17140	121	5	0	1	16888	119	4	0	4	15960	112	3	0	3	16732	118	3	0	3	16156	114	3	0	3	142
	1050	24421	112	5	0	2	23568	108	5	0	2	23222	107	4	0	4	21946	101	3	0	3	23007	106	3	0	3	22215	102	3	0	3	218
80	350	12106	139	4	0	1	11684	135	4	0	1	11512	133	3	0	3	10880	125	2	0	2	11406	131	2	0	2	11013	127	2	0	2	87
	530	17499	133	5	0	1	16888	128	5	0	1	16640	126	4	0	4	15726	119	3	0	3	16486	125	3	0	3	15918	121	3	0	3	132
	700	21888	124	5	0	2	21124	119	5	0	1	20813	118	4	0	4	19670	111	3	0	3	20621	117	3	0	3	19911	112	3	0	3	177
	1050	30526	112	5	0	2	29460	108	5	0	2	29027	107	4	0	4	27433	101	3	0	3	28759	106	3	0	3	27769	102	3	0	4	272
96	350	14423	139	5	0	1	13919	134	5	0	1	13714	132	3	0	3	12961	125	3	0	3	13588	131	3	0	3	13120	127	2	0	2	104
	530	20524	131	5	0	1	19807	126	5	0	1	19516	125	4	0	4	18444	118	3	0	3	19366	123	3	0	3	18670	119	3	0	3	157
	700	26017	123	5	0	2	25108	118	5	0	2	24739	117	4	0	4	23380	110	3	0	3	24511	116	3	0	3	23667	112	3	0	3	212

4K DATA - Chart updated 08.27.19																																
# LEDs	Current (mA)	FN					FM					T1					T2					T3					T4					Watts
		Lumens	LPW	B	U	G	Lumens	LPW	B	U	G	Lumens	LPW	B	U	G	Lumens	LPW	B	U	G	Lumens	LPW	B	U	G	Lumens	LPW	B	U	G	
48	350	7766	149	4	0	1	7495	144	4	0	1	7384	142	3	0	3	6979	134	2	0	2	7316	141	2	0	2	7064	136	2	0	2	52
	530	10418	133	4	0	1	10054	128	4	0	1	9907	127	3	0	3	9362	120	2	0	2	9815	125	2	0	2	9477	121	2	0	2	78
	700	13583	128	4	0	1	13108	124	5	0	1	12915	122	3	0	3	12206	115	3	0	3	12796	121	3	0	3	12356	117	2	0	2	106
	1050	18599	116	5	0	1	17949	111	5	0	1	17685	110	4	0	4	16714	104	3	0	3	17522	109	3	0	3	16919	105	3	0	3	161
64	350	9889	141	4	0	1	9544	136	4	0	1	9403	134	3	0	3	8887	127	2	0	2	9317	133	2	0	2	8996	129	2	0	2	70
	530	14620	137	5	0	1	14109	132	5	0	1	13902	130	3	0	3	13138	123	3	0	3	13774	129	3	0	3	13300	124	3	0	3	107
	700	17939	126	5	0	1	17313	122	5	0	1	17058	120	4	0	4	16121	114	3	0	3	16901	119	3	0	3	16319	115	3	0	3	142
	1050	24668	113	5	0	2	23806	109	5	0	2	23456	108	4	0	4	22168	102	3	0	3	23240	107	3	0	3	22440	103	3	0	3	218
80	350	12229	141	4	0	1	11802	136	4	0	1	11628	134	3	0	3	10989	127	2	0	2	11521	133	2	0	2	11124	128	2	0	2	87
	530	17676	134	5	0	1	17058	129	5	0	1	16808	128	4	0	4	15884	121	3	0	3	16653	126	3	0	3	16079	122	3	0	3	132
	700	22109	125	5	0	2	21337	121	5	0	1	21024	119	4	0	4	19869	112	3	0	3	20830	118	3	0	3	20112	114	3	0	3	177
	1050	30835	113	5	0	2	29758	110	5	0	2	29320	108	4	0	4	27710	102	3	0	3	29050	107	3	0	3	28050	103	3	0	4	272
96	350	14568	140	5	0	1	14060	136	5	0	1	13853	134	3	0	3	13092	126	3	0	3	13725	132	3	0	3	13253	128	3	0	3	104
	530	20731	132	5	0	1	20007	128	5	0	1	19713	126	4	0	4	18630	119	3	0	3	19531	125	3	0	3	18859	120	3	0	3	157
	700	26280	124	5	0	2	25362	120	5	0	2	24989	118	4	0	4	23616	111	3	0	3	24758	117	3	0	3	23906	113	3	0	3	212

5K DATA - Chart updated 08.27.19																																
# LEDs	Current (mA)	FN					FM					T1					T2					T3					T4					Watts
		Lumens	LPW	B	U	G	Lumens	LPW	B	U	G	Lumens	LPW	B	U	G	Lumens	LPW	B	U	G	Lumens	LPW	B	U	G	Lumens	LPW	B	U	G	
48	350	8093	156	4	0	1	7810	150	4	0	1	7695	148	3	0	3	7273	140	2	0	2	7624	147	2	0	2	7362	142	2	0	2	52
	530	10857	139	4	0	1	10478	134	4	0	1	10324	132	3	0	3	9757	125	2	0	2	10229	131	2	0	2	9876	126	2	0	2	78
	700	14154	134	5	0	1	13660	129	5	0	1	13459	127	3	0	3	12720	120	3	0	3	13335	126	3	0	3	12876	121	2	0	2	106
	1050	19382	120	5	0	1	18705	116	5	0	1	18430	114	4	0	4	17418	108	3	0	3	18260	113	3	0	3	17631	110	3	0	3	161
64	350	10305	147	4	0	1	9946	142	4	0	1	9799	140	3	0	3	9261	132	2	0	2	9709	139	2	0	2	9375	134	2	0	2	70
	530	15236	142	5	0	1	14704	137	5	0	1	14487	135	3	0	3	13692	128	3	0	3	14354	134	3	0	3	13860	130	3	0	3	107
	700	18695	132	5	0	1	18042	127	5	0	1	17777	125	4	0	4	16800	118	3	0	3	17612	124	3	0	3	17006	120	3	0	3	142
	1050	25706	118	5	0	2	24808	114	5	0	2	24444	112	4	0	4	23101	106	3	0	3	24218	111	3	0	3	23385	107	3	0	3	218
80	350	12744	147	4	0	1	12299	142	4	0	1	12118	140	3	0	3	11452	132	2	0	2	12006	138	2	0	2	11593	133	2	0	2	87
	530	18420	140	5	0	1	17777	135	5	0	1	17515	133	4	0	4	16553	126	3	0	3	17354	132	3	0	3	16756	127	3	0	3	132
	700	23040	130	5	0	2	22236	126	5	0	1	21909	124	4	0	4	20705	117	3	0	3	21707	123	3	0	3	20959	118	3	0	3	177
	1050	32133	118	5	0	2	31011	114	5	0	2	30555	112	5	0	5	28876	106	3	0	3	30273	111	4	0	4	29231	108	3	0	4	272
96	350	15182	146	5	0	1	14652	141	5	0	1	14436	139	3	0	3	13643	132	3	0	3	14303	138	3	0	3	13811	133	3	0	3	104
	530	21604	138	5	0	1	20850	133	5	0	1	20543	131	4	0	4	19415	124	3	0	3	20354	130	3	0	3	19653	125	3	0	3	157
	700	27386	129	5	0	2	26429	125	5	0	2	26041	123	4	0	4	24611	116	3	0	3	25801										



V-Sconce-II LED Luminaire

The V-Sconce-II LED Series offers clean, functional styling that is defined by its sleek low profile design and rugged construction. It combines the latest LED performance and advanced LED thermal management technology, and provides lighting that is both energy efficient and aesthetically pleasing. Choose from 16 to 48 LEDs that looks perfect with any of the LED configurations; thereby enabling the lighting designer to tailor the lighting to the application needs; while maintaining a uniform appearance throughout the entire project.

For general wall mount and pedestrian areas the V-Sconce-II LED series brings contemporary LED lighting design into the 21st century.

Fixture Construction

- Cast aluminum housing with integrated heat sink for maximum thermal management of the LEDs for extreme long life of the LEDs.
- A wall mounting design that simplifies the installation of the fixture.
- Engineered optical assemblies with three distribution patterns.

LED Technology

- 16 to 48 LEDs.
- 350, 530, 700, 1050 mA ratings.
- 3000, 4000 or 5000 Kelvin for warm, natural or white light.
- Full cutoff optics available in three distribution patterns.
- 69,000 to 126,000 hours or more of life for the LEDs.

Applications

The V-Sconce-II LED Series is destined to become the standard for which LED lights are measured. Simple flowing lines that house scalable LED arrays that replace traditional HID fixtures; for a wide range of lighting applications. From shopping centers to auto dealerships, college campuses; the V-Sconce-II LED series is the transition of LED lighting into tomorrow.





Project Name:

Catalog Number:

Type:

The **VSC-II LED** wall mount Series continues the unique contemporary design that is inspired by the V-Collection light series. It combines LED performance and advanced LED thermal management technology and provides lighting that is energy efficient and aesthetically pleasing.

The LED performance and the driver's life are maximized by enclosing them in two separate cast aluminum housings. Easy access for mounting and maintenance.

The LED light assemblies come with 16, 32, or 48 LEDs.

Choose between 3000, 4000 or 5000 Kelvin temperature for the LEDs.

A durable polyester powder coat finish is guaranteed for five years; and is available in standard or custom colors.

The **VSC-II LED** Series is an exceptional choice for office complexes, schools, commercial buildings, and many architectural projects.

Ordering Information

MODEL	OPTICS	SOURCE	CURRENT	KELVIN	VOLTAGE	MOUNTING	FINISH	OPTIONS
VSC-II	T1	16LC	3 350mA	3K 3000K	UNV 120-277V	WM Wall Mount	BZ Bronze	PC-120 Button Type Photocell
	T2	32LC	5 530mA	4K 4000K	8 347V	VCB Conduit Box Mounting Plate with (2) 1/2" Threaded Conduit Holes	BK Black	PC-208 Button Type Photocell
	T3	48LC					SBK Smooth Black	PC-240 Button Type Photocell
	T4		7 700mA	5K 5000K	5 480V	WH White	PC-277 Button Type Photocell	
	FM		10 1050mA *Not Available in 48LC			SWH Smooth White	WSC-8 Motion Sensor 8' Mounting Height	
	FN			GP Graphite	WSC-20 Motion Sensor 9-20' Mounting Height			
				GY Grey	WSC-40 Motion Sensor 21-40' Mounting Height <small>The WSC option will require (1) FSIR 100 remote for programming</small>			
		SL Silver Metallic	DIM 0-10V Dimming Driver					
	CC Custom Color	EBPL Emergency Battery Pack <small>* Universal Voltage only *Not available in Up Light Orientation</small>						
		BP Back Plate						
		CLS Back Side Cutoff Louver Shield						

Features & Specifications

Heatsink

Cast aluminum heatsink with integral cooling fins for thermal management.

Mounting/Driver Compartment

Durable two-piece cast aluminum driver compartment utilizes a quick mount/set screw mounting for ease of maintenance and sealed with a one-piece gasket.

Thermal Management

The VSC-II series provides excellent thermal management by mounting the LEDs to the substantial heat sink of the housing. This enables the Luminaire to withstand higher ambient temperatures and driver currents without degrading LED life.

The L70 test determines the point in an LEDs life when it reaches 70 percent of its initial output. The VSC-II series LEDs have been determined to last 100,000+ hours in 25° C environments when driven at 350 mA.

Optical System

The highest lumen output LEDs are utilized in the VSC-II series. Six IES distribution Types are available. The optical system qualifies as IES full cutoff to restrict light trespass, glare and light pollution.

CRI values are 70.

Quali-Guard® Finish

The finish is a Quali-Guard® textured, chemically pretreated through a multiple-stage washer, electrostatically applied, thermoset polyester powder coat finish, with a minimum of 3-5 millimeter thickness. Finish is oven-baked at 400° F to promote maximum adherence and finish hardness. All finishes are available in standard and custom colors.

Finish is guaranteed for five (5) years.

Electrical Assembly

- The VSC-II LED series is supplied with a choice of 350, 530, 700, 1050 mA high-performance LED drivers that accept 120v thru 480v, 50 Hz to 60 Hz, input.
- Rated for -50°C operations.
- Power factor of 90%.
- THD less than or equal to 20%
- 10 kV surge protector supplied as standard.

Warranty

Five (5) year Limited Warranty on electrical components, Five (5) year on finish. For full warranty information, please visit visionairelighting.com

Options

- Button Type Photocell
- Motion Sensor
- 0-10 Volt Dimming Driver
- Back Plate
- Cut-Off Louver Shield
- Diffused Lens
- Up-Light Orientation

Listings

- The VSC-II is cUL listed, suitable for wet locations.
- IP65 Rated
- Powder Coated Tough
- DLC Listed
- IDA Certification



DesignLights Consortium (DLC) qualified Product. Some configurations of this product family may not be DesignLights Consortium (DLC) listed, please refer to the DLC qualified products list to confirm listed configurations. <http://www.designlights.org/> 3000K must be selected for IDA certification.

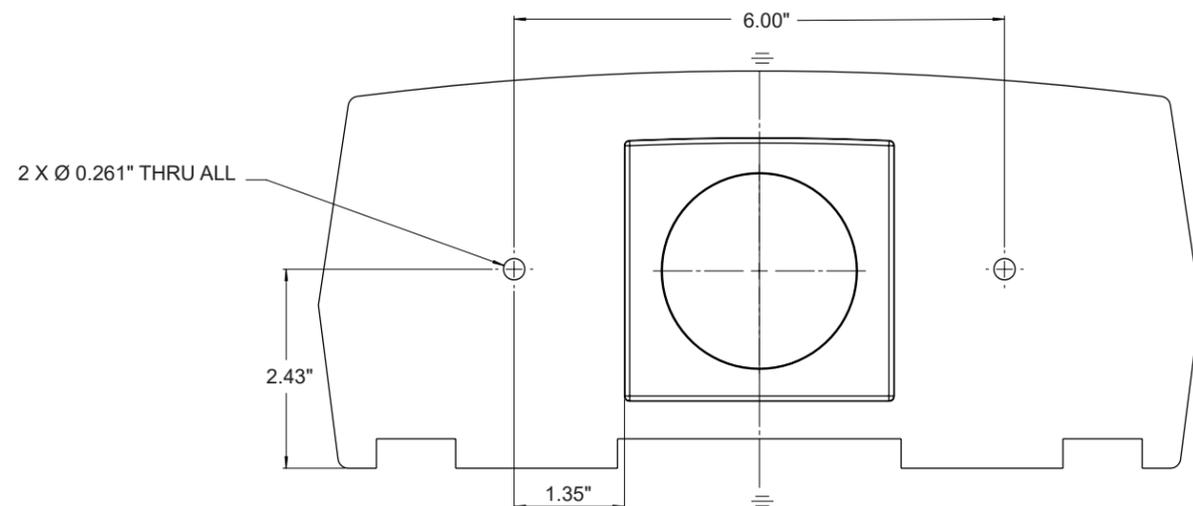
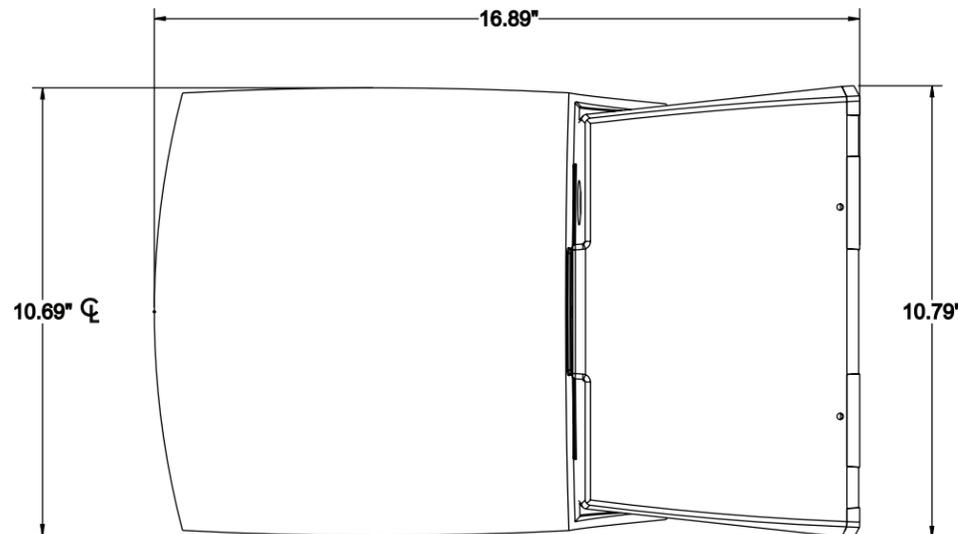
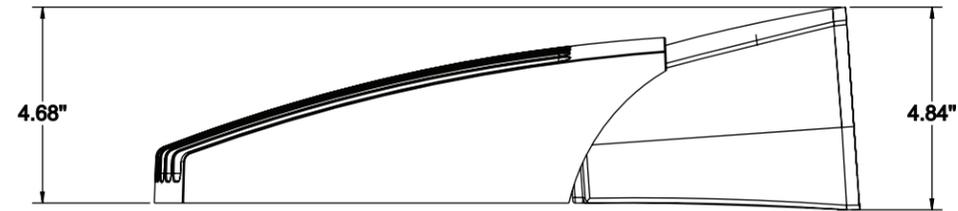
VSC-II - Electrical Load (A)							
Ordering Nomenclature	System Watts	120V	208V	240V	277V	347V	480V
VSC-II-T3-16LC-3-4K	18	0.15	0.09	0.08	0.06	0.05	0.04
VSC-II-T3-16LC-5-4K	26	0.22	0.13	0.11	0.09	0.07	0.05
VSC-II-T3-16LC-7-4K	37	0.31	0.18	0.15	0.13	0.11	0.08
VSC-II-T3-16LC-10-4K	56	0.47	0.27	0.23	0.20	0.16	0.12
VSC-II-T3-32LC-3-4K	37	0.31	0.18	0.15	0.13	0.11	0.08
VSC-II-T3-32LC-5-4K	52	0.43	0.25	0.22	0.19	0.15	0.11
VSC-II-T3-32LC-7-4K	74	0.62	0.36	0.31	0.27	0.21	0.15
VSC-II-T3-32LC-10-4K	112	0.93	0.54	0.47	0.40	0.32	0.23
VSC-II-T3-48LC-3-4K	55	0.46	0.26	0.23	0.20	0.16	0.11
VSC-II-T3-48LC-5-4K	78	0.65	0.38	0.33	0.28	0.22	0.16
VSC-II-T3-48LC-7-4K	105	0.88	0.50	0.44	0.38	0.30	0.22

Photometric Optical Summary



Dimensions

Width:	VSC-II 10.8"
Depth:	VSC-II 17"
Height:	VSC-II 5"
Weight:	20 LBS



3K Lumen Data <small>Lumen data updated 11.21.17</small>																										
#LED	mA	Type 1	B	U	G	Type 2	B	U	G	Type 3	B	U	G	Type 4	B	U	G	FN	B	U	G	Watts				
16	350	2413	1	0	1	2220	1	0	1	2238	0	0	1	2190	1	0	1	2443	2	0	0	2481	2	0	1	18
	530	3237	2	0	2	2978	1	0	1	3002	1	0	1	2938	1	0	1	3278	3	0	0	3329	3	0	1	26
	700	4273	2	0	2	3931	1	0	2	3963	1	0	1	3878	1	0	1	4326	3	0	0	4395	3	0	1	37
	1000	6049	3	0	3	5565	1	0	2	5610	1	0	1	5490	1	0	2	6124	3	0	1	6221	3	0	1	56
32	350	4859	2	0	2	4470	1	0	2	4506	1	0	1	4410	1	0	1	4919	3	0	0	4997	3	0	1	37
	530	6519	3	0	3	5997	1	0	2	6046	1	0	2	5916	1	0	2	6600	4	0	0	6704	4	0	1	52
	700	8604	3	0	3	7916	2	0	2	7980	1	0	2	7809	2	0	2	8711	4	0	0	8849	4	0	1	74
	1000	12097	3	0	3	11130	2	0	3	11219	2	0	2	10980	2	0	3	12248	4	0	1	12441	4	0	1	112
48	350	7288	3	0	3	6705	1	0	2	6759	1	0	2	6615	1	0	2	7379	4	0	0	7495	4	0	1	55
	530	9778	3	0	3	8996	2	0	3	9069	1	0	2	8875	2	0	2	9900	4	0	0	10057	4	0	1	78
	700	12906	3	0	3	11874	2	0	3	11970	2	0	2	11714	2	0	3	13067	5	0	0	13274	5	0	1	105

4K Lumen Data																										
16	350	2540	1	0	1	2337	1	0	1	2355	1	0	1	2305	1	0	1	2571	3	0	0	2612	3	0	0	18
	530	3408	2	0	2	3135	1	0	1	3160	1	0	1	3093	1	0	1	3450	3	0	1	3505	3	0	1	26
	700	4498	2	0	2	4138	1	0	2	4171	1	0	1	4082	1	0	1	4554	3	0	1	4626	3	0	1	37
	1000	6367	3	0	3	5858	1	0	2	5905	1	0	2	5779	1	0	2	6446	4	0	1	6548	4	0	1	56
32	350	5114	2	0	2	4705	1	0	2	4743	1	0	1	4642	1	0	1	5178	3	0	1	5260	3	0	1	37
	530	6862	3	0	3	6313	2	0	2	6364	1	0	2	6228	1	0	2	6947	4	0	1	7057	4	0	1	52
	700	9057	3	0	3	8333	2	0	3	8400	1	0	2	8221	2	0	2	9170	4	0	1	9315	4	0	1	74
	1000	12734	3	0	3	11715	2	0	3	11810	2	0	2	11558	2	0	3	12892	5	0	1	13096	5	0	1	112
48	350	7671	3	0	3	7058	2	0	2	7115	1	0	2	6963	1	0	2	7767	4	0	1	7890	4	0	1	55
	530	10293	3	0	3	9470	2	0	3	9546	1	0	2	9342	2	0	2	10421	4	0	1	10586	4	0	1	78
	700	13586	3	0	3	12499	3	0	3	12600	2	0	2	12331	2	0	3	13755	5	0	1	13972	5	0	1	105

5K Lumen Data																										
16	350	2437	1	0	1	2242	1	0	1	2260	1	0	1	2212	1	0	1	2468	2	0	0	2507	2	0	1	18
	530	3270	2	0	2	3008	1	0	1	3033	1	0	1	2968	1	0	1	3311	3	0	1	3363	3	0	1	26
	700	4316	2	0	2	3971	1	0	2	4003	1	0	1	3918	1	0	1	4370	3	0	1	4439	3	0	1	37
	1000	6110	3	0	3	5621	1	0	2	5666	1	0	2	5545	1	0	2	6186	3	0	1	6284	3	0	1	56
32	350	4908	2	0	2	4515	1	0	2	4552	1	0	1	4454	1	0	1	4969	3	0	1	5047	3	0	1	37
	530	6585	3	0	3	6058	2	0	2	6107	1	0	2	5977	1	0	2	6667	4	0	1	6772	4	0	1	52
	700	8691	3	0	3	7996	2	0	3	8061	1	0	2	7889	2	0	2	8799	4	0	1	8939	4	0	1	74
	1000	12219	3	0	3	11242	2	0	3	11333	2	0	2	11091	2	0	3	12371	4	0	1	12567	4	0	1	112
48	350	7362	3	0	3	6773	2	0	2	6827	1	0	2	6682	1	0	2	7453	4	0	1	7571	4	0	1	55
	530	9877	3	0	3	9087	2	0	3	9160	1	0	2	8965	2	0	2	10000	4	0	1	10158	4	0	1	78
	700	13037	4	0	4	11994	3	0	3	12091	2	0	2	11833	2	0	3	13199	5	0	1	13408	5	0	1	105

Visit www.VisionaireLighting.com for up-to-the-minute chart information, including types not listed here.

Motion Sensor Default Setting									
Type	High Mode	Low Mode	Time Delay	Cut off Delay	Sensitivity	Hold Off Set Point	Photocell On/Off	Ramp Up Time	Fade Down Time
WSC - Default	10V	1V	5 Min	1 Hour	Max	Disabled	Disabled	Disabled	Disabled
WSC Range	0-10V	0-9.8V	5-30 Min	1-5 Hours	Low, Med, Max	1-250FC	1-250FC	1-60 Dec	1-60 Dec

LIMITED WARRANTY

Visionaire Lighting, LLC (hereinafter referenced as "Visionaire") warrants all non-LED products against defects in materials and workmanship for a period of two (2) years and all LED products for a period of five (5) years from date of shipment. Products utilizing Visionaire's Array technology are warranted for (10) years on electrical components. Any component manufactured by Visionaire Lighting proven to be defective within two (2) years from date of shipment (provided that the conditions of installation and operation have been proper) will be repaired or replaced at Visionaire's option. Labor and other installation costs for replacement items are not included in this limited warranty and are the responsibility of the purchaser.

This warranty does not include lamps, ballasts, capacitors, igniters, photocells, sensors or other related equipment not manufactured by Visionaire.

LED: All LED Light fixtures and Light engines including but not limited to Visionbar™ are warranted for a period of (5) years. Products utilizing Visionaire's Array technology are warranted for 10 years. If 25% of the individual LED diodes (light sources) in the LED VisionBar™ should fail within the warranty period, Visionaire will provide the purchaser with a replacement LED VisionBar™. Labor and other installation costs for replacement of LED VisionBars™ are not included in this limited warranty and are the responsibility of the purchaser.

LED Drivers: LED drivers are warranted by the OEM for a period of five (5) years. Products utilizing Visionaire's Array technology are warranted for 10 years. Visionaire makes no representation of any warranty by the OEM.

Solar Components:

1. Solar Panels - Solar panels are not warranted by Visionaire Lighting. Visionaire makes no representation of any warranty by the OEM.
2. Solar Batteries - Solar batteries are warranted for a period of two (2) years from shipment by the solar battery OEM. Visionaire provides no warranty on batteries. Visionaire makes no representation of any warranty by the OEM.
3. Solar Controls, Time Clocks, and Internal Electrical Components within any Solar Assembly are warranted only by that part's respective OEM. Visionaire provides no warranty on these components. Visionaire makes no representation of any warranty by the OEM.

Finishes: All Visionaire products are powder coated and guaranteed for a two (2) year period. Poles must be inspected regularly and wiped clean to ensure a non-abrasive surface. Visionaire's poles, brackets, and fixtures are warranted against peeling, cracking, fading or chalking. For harsh environments additional protective coatings should be considered. Consult factory for further details.

The warranty is at sellers' discretion as to how and where to fix any problems that may occur. Seller will not cover costs of transportation, installation, and removal of defective or damaged poles.

This warranty applies to products sold for installation in the United States and Canada. Products that are installed outside the United States and Canada carry no implicit or implied warranty unless specifically indicated by separate documentation approved by Visionaire senior management.

Visionaire will not honor any claim without prior written approval.

No other Guarantees or Warranties, expressed or implied, exist beyond those included above.

For more detailed information on mounting, wiring or installation instructions, please consult the factory. If poles are not ordered with fixtures, please specify mounting requirements. This document contains proprietary information of Visionaire Lighting, LLC. Any use of this information requires the written approval of Visionaire Lighting, LLC. In keeping with our TQM policy of continuous improvement, Visionaire reserves the right to change any, specifications contained herein without prior notice.

REV 06/26/2020

19645 Rancho Way · Rancho Dominguez, CA 90220 · Phone: 310.512.6480 Fax 310.512.6486
www.visionairelighting.com



TERMS & CONDITIONS

TIER THREE CUSTOMER

Prices: Written quotations are valid for a period of 30 days, unless specified otherwise in writing. Prices are subject to change without notice.

Shipping, Handling, Transportation, and Delivery: All prices are FOB shipping point; freight allowance begins with orders over and above \$5000.00 per shipment, per destination in the continental United States. Any order that will not qualify for pre-paid factory freight will be charged in the following manner:

- Fixtures will be shipped and charged the Freight Company's cost to Visionaire, plus an additional 15% fee for handling.
- Flatbed or special trucks requested from the buyer will result in additional shipping and handling charges.
- Air Freight shipments requested by the buyer will be invoiced at Visionaire's cost of freight. Seller will use its own discretion in routing all shipments, upon which it assumes transportation charges. Seller may make partial shipments at its discretion; however, each such shipment will be subsequently invoiced on terms applicable to the complete order. Seller will not assume, allow or pay any fees for cartage. While every effort is made to ship as scheduled, any delay or failure due to strikes, lockouts, fires, breakdowns, supplier delays, lack of shipping space, lack of customer approval, correction or clarification of order, governmental acts or regulations, acts of God and any other circumstances beyond the control of Visionaire shall not be a breach of contract.

Any goods damaged or lost in transit must be noted so on the delivering carrier's freight bill. Rates are determined in proportion to the damage liability; therefore, the carrier, and not the shipper, should be charged with all loss or damage. Visionaire will do everything to assist the buyer, except file the claim. Replacement goods must be ordered and paid for by the consignee. Shipments must be unloaded promptly as we will pay no storage or re-delivery fee.

Buyer must examine the merchandise upon delivery, and must report all apparent errors or defects to Seller within ten (10) days of delivery; otherwise, it shall be conclusively presumed between buyer and seller that the merchandise has been delivered as specified in this contract.

Cancellations, Returns or Suspension of Orders: Deposits are utilized for the purchase of materials. As such, deposits are non-refundable. Returns as a result of Buyer error must be explicitly approved by company management. Buyer, upon approval of return, will be charged for freight, both ways and a minimum service charge of 35% of the product value. This will be deducted from all returned goods to cover the costs of handling, unpacking, inspecting, and break down of all component parts and re-stocking. Postponement of deliveries at the Buyer's request, if for a period of more than 30 days will not be made without the seller's approval in writing. Lighting products are custom manufactured for each customer. They are not "stock" products. Company management reserves the right to approve or deny a request for a return at its sole discretion.

All suspensions are liable to handling and storage fees. Seller will not accept the return of any goods without the seller's prior written consent, and the buyer must request an RA within 30 days of the seller's invoice. Returns will not be accepted after this time. In the event of a replacement order, we will first charge for replacement items and then credit upon return of the defective or incorrect items. 60 day terms will be set on these items, and if the returnable items are not received by the 60 day mark, the invoice will become due and payable.

Product Changes: Visionaire reserves the right to make modifications or changes to any of its products without prior notice and without incurring obligation.

Taxes: All prices, quotations, orders, and agreements are subject to local and federal taxes. These taxes will be added to the invoice unless legal proof of exemption is provided.

Cost of Collection: If buyer defaults with respect to any payment described here and above, it shall pay Seller for all costs and expenses, including legal expenses and attorney fees, incurred by the seller in exercising any of its rights or remedies.

This warranty excludes fatigue failure caused by induced vibration. Fixtures must be maintained and inspected on a regular basis. Repair of scratches, scrapes, bumps, etc. must be conducted to ensure a safe and attractive product.

Terms: Interest of 2% per month + Attorney's Fees and Costs will be levied on all past due accounts. Invoices are dated when they are mailed from Visionaire. Minimum Order is \$200.00, except for replacement parts. ALL ORDERS MUST INCLUDE A WRITTEN PURCHASE ORDER. Attorneys fees, and costs will be levied if consul is retained to collect past due amounts.

REV 06/30/2020

19645 Rancho Way · Rancho Dominguez, CA 90220 · Phone: 310.512.6480 Fax 310.512.6486
www.visionairelighting.com





VISIONAIRE
L I G H T I N G

19645 Rancho Way, Rancho Dominguez, CA 90220
310.512.6480 • www.visionairelighting.com

