

VLX-1 LED Specifications

Area - Site - Commercial - Outdoor



Arm Mount (AM) Version Shown.

The VLX LED Series offers clean, functional styling that is defined by its sleek low profile design and rugged construction. It combines LED performance and advanced LED thermal management technology and provides outdoor lighting that is both energy efficient and aesthetically pleasing.

The LED's performance and the driver's life are maximized by enclosing them in two separate die cast aluminum housings. Easy tool-less access for mounting and maintenance.

The LED light assemblies come with 96 to 192 LEDs. Available with 17 IES distribution patterns.

- CRI values are 70, 80 or 90.
- CCT values are 2700K, 3000K, 3500K, 4000K, 5000K

The VLX Series offers an impressive output of up to 87,000 lumens with a wattage package reaching up to 629 watts, delivering an average efficiency of 143 lumens per watt. With integrated controls, the VLX ensures optimal lighting coverage while minimizing energy consumption.

A durable polyester powder coat finish is guaranteed for five years; and is available in standard or custom colors.

The VLX LED series is an exceptional choice for commercial parking lots, office complexes, architectural projects, and other general lighting projects.

Project Name:

Catalog Number:

Type:

Date:

Location:

LED Specifications **VLX-1**

MODEL	OPTICS		LEDs	CURRENT	CCT
VLX-1	T1 Type 1	T5 Type 5	64LD	3 350mA	27K7 27K8 27K9 2700K 70, 80, & 90 CRI
	T2 Type 2	T5W Type 5 Wide	128LD	5 530mA	30K7 30K8 30K9 3000K 70, 80, & 90 CRI
	T3 Type 3	T5WW Type 5	160LD	7 700mA	35K7 35K8 35K9 3500K 70, 80, & 90 CRI
	T3R Type 3 Round	Extra Wide	192LD	10 1050mA	40K7 40K8 40K9 4000K 70, 80, & 90 CRI
	T3W Type 3 Wide	T5LG Type 5 Low Glare		*Not available with Z10, Z18, VWC, DTO 7PINPER	
	T3LG Type 3 Low Glare	FN Flood Narrow			50K7 50K8 50K9 5000K 70, 80, & 90 CRI
	T4 Type 4	FM Flood Medium			
	T4A Type 4	FW Flood Wide			
	Automotive				
	T4FT Type 4 Forward Throw				
	T4LG Type 4 Low Glare				

VOLTAGE	MOUNTING	FINISH	CONTROL OPTIONS	SHIELD OPTIONS	OPTIONS
UNV 120-277V	AM Arm Mount	BZ Bronze	PCR-120 PCR-208 PCR-240 PCR-277 PCR-347 PCR-480 Photocell & Receptacle	CLS Backside cutoff shield	RPP-3" RPP-4" RPP-5" Round Pole Plate Adapter
8 347V	Round Pole Plate Adaptors (RPP) are to be ordered separately.	BK Black	7PINPER 7 Pin Photo Receptacle w/shorting cap Requires Dimming Driver	RCLS Rightside cutoff shield	UPMA-S Universal Square Pole Mount Adapter
5 480V	WM Wall Mount *Requires BAWP	GY Grey	DIM 0-10v Dimming Driver	LCLS Leftside cutoff shield	UPMA-R Universal Round Pole Mount Adapter
	BAWP to be ordered separately.	SBK Smooth	DTO Dim to Off Driver	BHS House shield	UPMA-1 Universal Round Pole Mount Adapter
		WH White	WSP6-L2 WSP6-L3 WSP6-L7 8" Mounting Height 9-20" Mounting Height 21-40" Mounting Height		BAWP Cast Wall Plate
		SWH Smooth	WSC-8 WSC-20 WSC-40 8" Mounting Height 9-20" Mounting Height 21-40" Mounting Height		ROT-R Rotated Optics Right Side
		GP Graphite	*The WSC option will require (1) FSIR 100 remote for programing		ROT-L Rotated Optics Left Side
		GY Grey	Z10 or Z18 Zhaga 4 Pin Receptacle		BBG Bird Spikes
		SL Silver Metallic	VWC Visionaire Wireless Control		BAA Buy America(n) Act Compliant
		ZFP Zinc-Free Primer Coat			
		CC Custom Color			

Features & Specifications

LED Specifications **VLX-1**

Heatsink

Die-cast aluminum heatsink with integral cooling fins provides superior thermal management and long-term performance.

Mounting Arm / Driver Compartment

Durable two-piece die-cast aluminum driver compartment features a tool-less, push-button latch for fast and easy maintenance.

- Sealed with a one-piece silicone gasket for maximum protection against the elements.
- Meets ANSI C136.31-2010, 1.5G Vibration Standards.

Thermal Management

The VLX Series delivers exceptional thermal performance by mounting the LED arrays directly to the substantial cast-aluminum heatsink, allowing operation in higher ambient temperatures and at elevated drive currents without compromising LED life.

- L70 Lifetime: The VLX Series LEDs are rated at 90,000+ hours at 25°C when driven at 350 mA, based on industry-standard L70 testing (70% of initial lumen output).

Optical System

High-output LEDs ensure maximum delivered lumens and system efficiency.

- Available with 17 precision IES distribution patterns.
- LED engines available in multiples of 32 LEDs.
- CRI Options: 70, 80, or 90.
- CCT Options: 2700K, 3000K, 3500K, 4000K, 5000K.

Quali-Guard® Finish

Textured, chemically pre-treated surface using a multi-stage wash process. Electrostatic application of a thermoset polyester powder-coat, 3–5 mils minimum thickness, oven-baked at 400°F for superior adhesion and durability.

- Available in all standard and custom colors.
- Optional Zinc-Free Primer: Recommended for installations within three miles of the ocean.
- Finish guaranteed for five (5) years.

Electrical Assembly

The VLX Series is supplied with a choice of 350, 530, 700, or 1050mA high-performance LED drivers, that accept 120v thru 480v, 50 Hz to 60 Hz, input.

- Rated for -40 °C to +55 °C operations.
- Power factor of 90%.
- THD less than or equal to 20%
- 10 kV surge protector supplied as standard.
- 0-10v Dimming Driver supplied as standard.
- Terminal block supplied as standard.

Warranty

Five (5) year Limited Warranty on entire system, including finish. For full warranty information, please visit visionairelighting.com.

Options

- Wattstopper Plus
- Wattstopper FSP-211 Motion Sensor/Control
- Photocell & Receptacle (PCR)
- Photo Receptacle (PER) (5/7PINPER)
- 0-10V Dimming Driver
- Wireless Controls
- Dim To Off Driver
- Back House Shield
- Cut-Off Louver Shield
- Round pole plate adaptor
- Rotated Optics
- Zhaga 4 Pin Receptacle
- Bird Spikes
- BAA

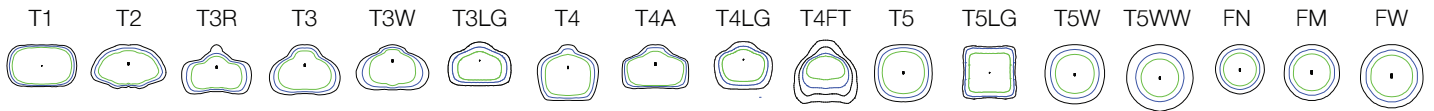
Listings

- The VLX Series is cUL Listed
- IP65 Rated
- Powder Coated Tough.
- IDA Certification



3000K or lower must be selected with a fixed mount for IDA certification.
Fixed mount must be selected for IDA dark sky certification.

Photometric Optical Summary



EPA Data						
	1.0	1.6	2.0	2.5	2.4	2.5

Dimensions

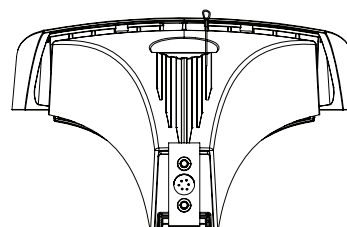
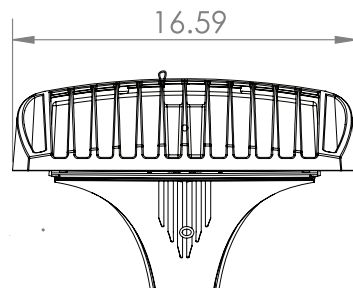
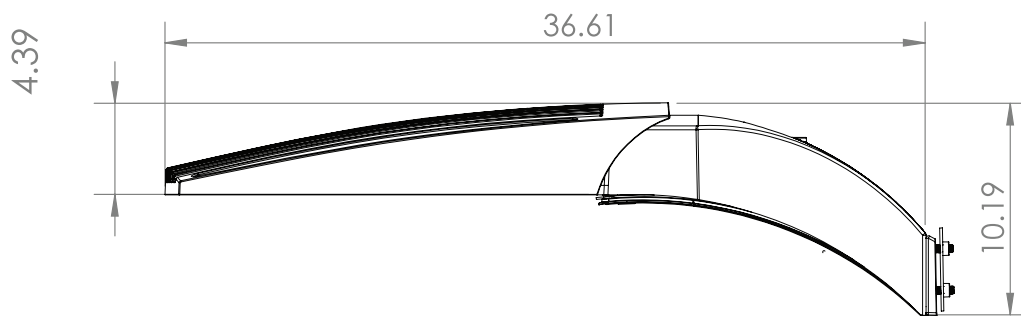
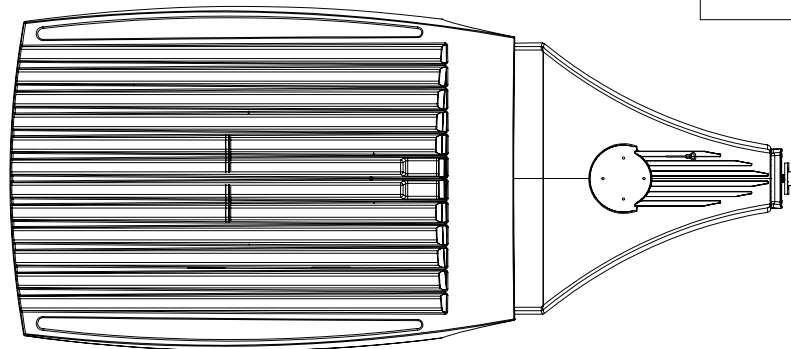
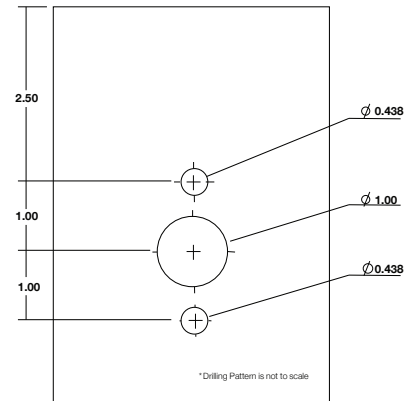
Width: VLX-1 16.5"

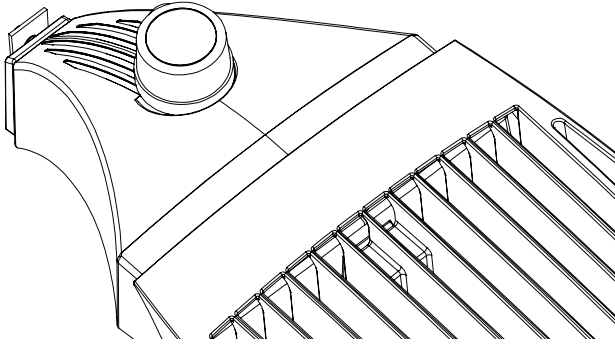
Depth: VLX-1 36.6"

Height: VLX-1 4.39"

Overall Height: VLX-1 10.19"

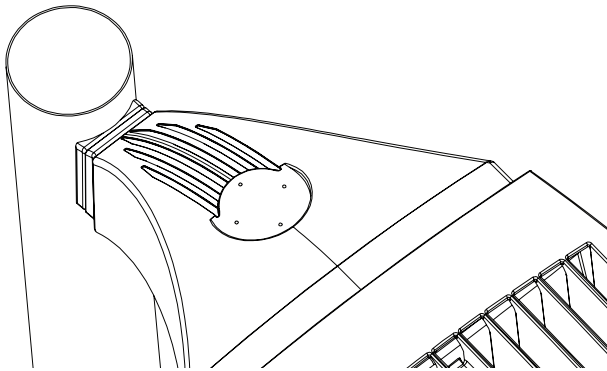
Weight: 58 LBS



LED Specifications **VLX-1**

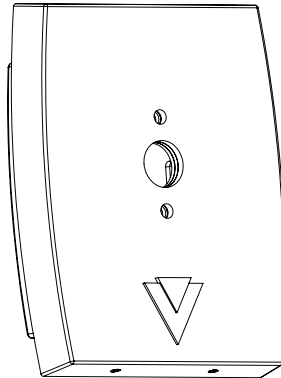
Twist lock Photocell & Receptacle

Dusk to dawn sensor.



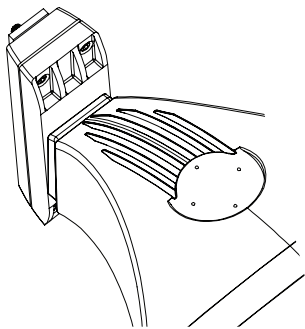
Round Pole Plate Adapter

Round Pole Plate Adapter to be used with round pole.

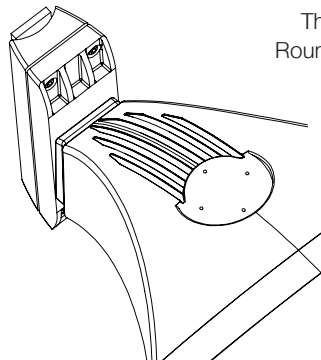


Bolt-On Arm Wall Plate

Arm mount wall plate is needed to wall mount the VLX.

**UPMA**

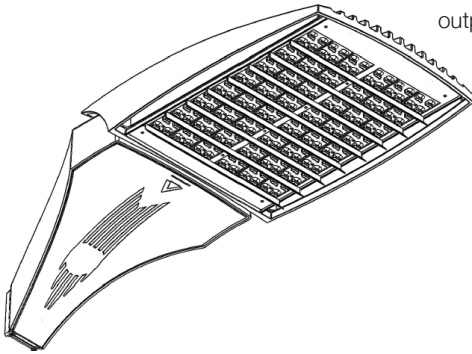
The Universal Pole Mount Adapter is ideal for retrofit applications with existing square poles. This adapter is slotted to fit any existing drilling pattern, up to 6 1/2" bolt to bolt maximum.

**UPMA-R**

The Universal Pole Mount Adapter Round is ideal for retrofit applications with existing round poles. This adapter is slotted to fit any existing drilling pattern, up to 6 1/2" bolt to bolt maximum.

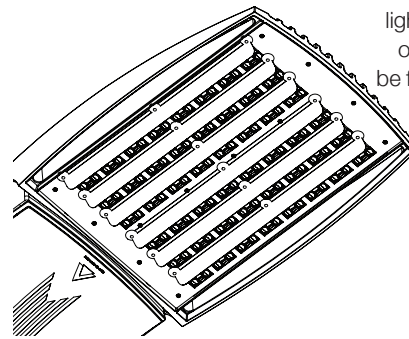
CLS

The back side cutoff louver shield will reduce light output behind the fixture, all of the light will be focused in front of the VLX.



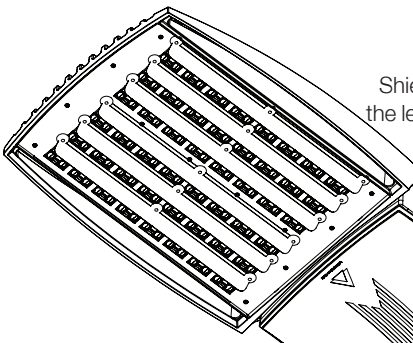
RCLS

The Right Side Cutoff Louver Shield will reduce light output on the right side of the fixture, all of the light will be focused on the left side of the VLX.



LCLS

The Left Side Cutoff Louver Shield will reduce light output on the left side of the fixture, all of the light will be focused on the right side of the VLX.



Zhaga Socket

Zhaga sockets and controllers use 4-pin contacts that carry different functions, such as voltage, dimming, and auxiliary power.

VLX-1 - ELECTRICAL LOAD (A)							
Ordering Nomenclature	System Watts	120	208	240	277	347	480
VLX-1-T5-96LD-3	99	0.82	0.47	0.41	0.36	0.28	0.21
VLX-1-T5-96LD-5	152	1.27	0.73	0.63	0.55	0.44	0.32
VLX-1-T5-96LD-7	204	1.70	0.98	0.85	0.74	0.59	0.42
VLX-1-T5-96LD-10	314	2.62	1.51	1.31	1.14	0.91	0.66
VLX-1-T5-128LD-3	132	1.10	0.63	0.55	0.47	0.38	0.27
VLX-1-T5-128LD-5	203	1.69	0.98	0.85	0.73	0.58	0.42
VLX-1-T5-128LD-7	272	2.27	1.31	1.13	0.98	0.78	0.57
VLX-1-T5-128LD-10	419	3.49	2.02	1.75	1.51	1.21	0.87
VLX-1-T5-160LD-3	164	1.37	0.79	0.68	0.59	0.47	0.34
VLX-1-T5-160LD-5	254	2.11	1.22	1.06	0.92	0.73	0.53
VLX-1-T5-160LD-7	340	2.83	1.63	1.42	1.23	0.98	0.71
VLX-1-T5-160LD-10	524	4.37	2.52	2.18	1.89	1.51	1.09
VLX-1-T5-192LD-3	197	1.64	0.95	0.82	0.71	0.57	0.41
VLX-1-T5-192LD-5	304	2.53	1.46	1.27	1.10	0.88	0.63
VLX-1-T5-192LD-7	408	3.40	1.96	1.70	1.47	1.17	0.85
VLX-1-T5-192LD-10	629	5.24	3.02	2.62	2.27	1.81	1.31

WATTSTOPPER PLUS

FSP-600 Series

The FSP-600 series by Wattstopper PLUS is an integrated luminaire level lighting controller and sensor for indoor/outdoor lighting applications that require networked wireless control. The FSP-600 is designed to integrate directly into exterior, high bay, parking garage, and general site lighting solutions. It is a passive infrared (PIR) sensor and closed loop photosensor.

The FSP-600 series design intends to reduce installer labor time and make on-site start up easy for technicians.

Once commissioned and paired to a Wattstopper PLUS network, the devices can measure both motion and daylight contribution in order to automatically switch or dim lighting. It also provides the ability to communicate to other fixtures in the space without any front-end devices.

The Wattstopper PLUS FSP-600 series is available in a few different options including: internal, external straight nipple, and external drop nipple. Sensor lens options sold separately and should be ordered based on designed mounting height and desired finish.

FSP-621



FSP-200 Series

The FSP-200 series sensors provide multi-level control based on motion and/or daylight contribution. They control 0-10 VDC LED drivers or dimming ballasts, as well as non-dimming ballasts and, with an FSP-Lx Lens, are rated for wet and cold locations. All control parameters are adjustable via a wireless configuration tool capable of storing and transmitting sensor profiles. The FSP-200 series is available in two different voltage configurations adding flexibility to your fixture design or project.

Typically, the sensor ramps lighting On to the selected High mode level when motion is detected and the ambient light level is below the hold off setpoint. After the sensor stops detecting movement and the time delay elapses, lights fade to the Low mode level. If there is no motion during the subsequent cut off time delay, the lights will turn Off. For dusk to dawn control, the integral photocell can switch the lights On and Off based on the ambient light level so that lighting remains on overnight even without motion detection.

Initial setup and subsequent sensor adjustments are made using a Wireless Handheld Configuration Tool (FSIR-100). This tool enables adjustment of parameters including high and low modes, sensitivity, time delay, cut off and more. The FSIR-100 is also used to initiate automatic calibration of the FSP-2x1B ambient light level setpoint. The setpoint is used to hold the controlled lighting off or at a low level when there is sufficient daylight. The wireless tool stores up to six sensor parameter profiles to speed configuration of multiple sensors.

FSP-211



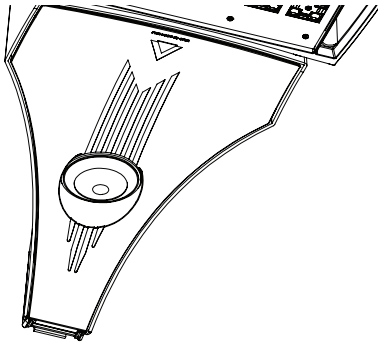
FSP-221



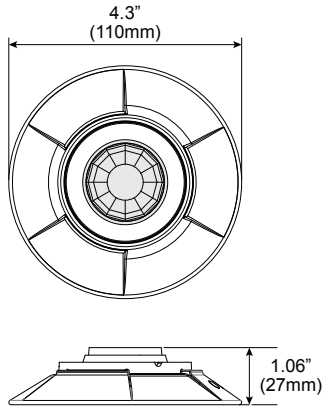
Lens with Shroud Dimensions

The FSP-Lx-S models include a shroud, which blocks high-angle light coming from the fixture, to improve photocell performance. With the shroud attached, the dimensions for all three lenses are identical

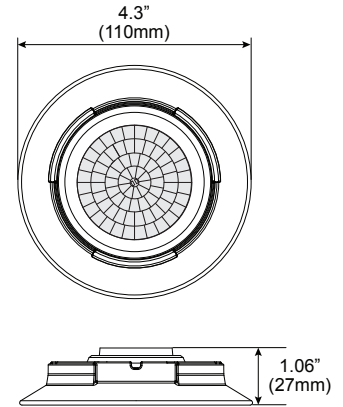
VLX Lens Placement



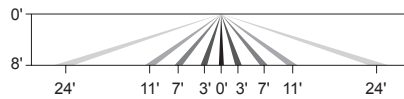
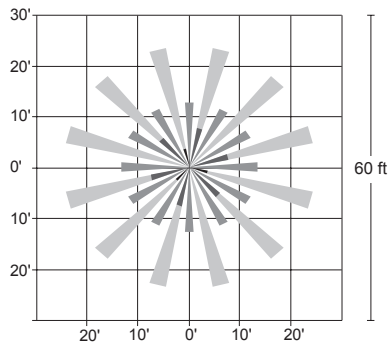
FSP-L2-S and FSP-L3-S



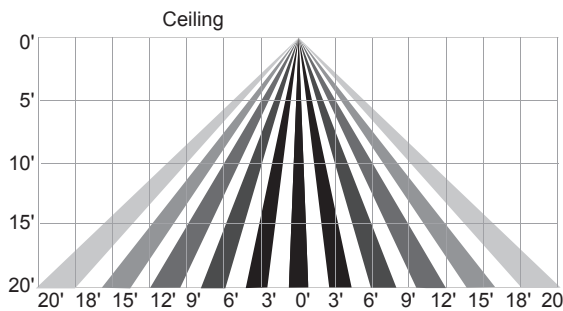
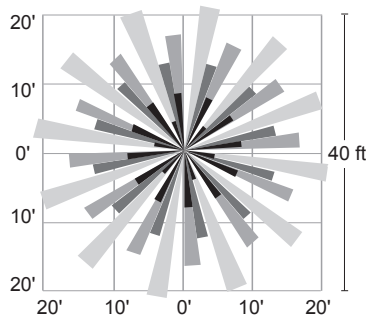
FSP-L7-S



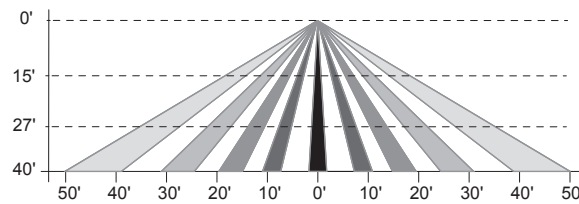
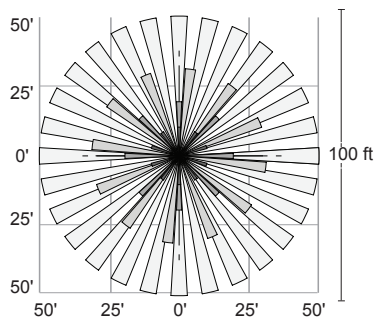
COVERAGE



FSP-L2 top and side coverage patterns



FSP-L3 top and side coverage patterns



FSP-L7 top and side coverage patterns

LED Specifications **VLX-1**

VLX-1 LED SPECIFICATIONS / Forward Optics																											
Led Count	Current & Watts	Distribution Type	70CRI																								
			27K					30K					35K					40K					50K				
			Lumens	B	U	G	LPW	Lumens	B	U	G	LPW	Lumens	B	U	G	LPW	Lumens	B	U	G	LPW	Lumens	B	U	G	LPW
96LD	350 mA (98.6W)	T1	15708	4	0	4	159	16391	4	0	4	166	16391	4	0	4	166	16220	4	0	4	165	17074	4	0	4	173
		T2	15261	3	0	3	155	15924	3	0	3	162	15924	3	0	3	162	15759	3	0	3	160	16588	3	0	3	168
		T3R	15488	3	0	3	157	16162	3	0	3	164	16162	3	0	3	164	15993	3	0	3	162	16835	3	0	3	171
		T3	15321	3	0	3	155	15987	3	0	3	162	15987	3	0	3	162	15820	3	0	3	160	16653	3	0	3	169
		T3W	15613	2	0	3	158	16292	2	0	3	165	16292	2	0	3	165	16122	2	0	3	164	16971	3	0	3	172
		T3LG	15662	3	0	2	159	16343	3	0	2	166	16343	3	0	2	166	16173	3	0	2	164	17024	3	0	2	173
		T4	15408	3	0	3	156	16078	3	0	3	163	16078	3	0	3	163	15910	3	0	3	161	16748	3	0	3	170
		T4A	16228	3	0	2	165	16933	3	0	2	172	16933	3	0	2	172	16757	3	0	2	170	17639	3	0	2	179
		T4LG	15616	2	0	2	158	16295	2	0	2	165	16295	2	0	2	165	16125	2	0	2	164	16974	2	0	2	172
		T4FT	15862	3	0	3	161	16552	3	0	3	168	16552	3	0	3	168	16390	3	0	3	166	17242	3	0	3	175
		T5	16185	4	0	2	164	16888	4	0	2	171	16888	4	0	2	171	16713	4	0	2	169	17592	4	0	2	178
		T5LG	15770	3	0	2	160	16456	3	0	2	167	16456	3	0	2	167	16284	3	0	2	165	17141	3	0	2	174
		T5W	15633	4	0	2	159	16313	4	0	2	165	16313	4	0	2	165	16143	4	0	2	164	16993	4	0	2	172
		T5WW	14840	4	0	2	151	15485	4	0	2	157	15485	4	0	2	157	15324	4	0	2	155	16130	4	0	2	164
		FN	15933	5	0	1	162	16688	5	0	1	169	16688	5	0	1	169	16514	5	0	1	167	17383	5	0	1	176
		FM	16301	5	0	1	165	17010	5	0	1	173	17010	5	0	1	173	16832	5	0	1	171	17718	5	0	1	180
		FW	16245	4	0	1	165	16952	4	0	1	172	16952	4	0	1	172	16775	4	0	1	170	17658	4	0	1	179
		96LD	530 mA (152.1W)	T1	23229	4	0	4	153	24239	4	0	4	159	24239	4	0	4	159	23966	4	0	4	158	25249	4	0
T2	22568			3	0	4	148	23549	3	0	4	155	23549	3	0	4	155	23303	3	0	4	153	24530	3	0	4	161
T3R	22904			3	0	4	151	23899	3	0	4	157	23899	3	0	4	157	23651	3	0	4	156	24895	3	0	5	164
T3	22656			3	0	3	149	23641	3	0	3	155	23641	3	0	3	155	23394	3	0	3	154	24626	3	0	3	162
T3W	23088			3	0	3	152	24092	3	0	4	158	24092	3	0	4	158	23841	3	0	4	157	25096	3	0	4	165
T3LG	23161			3	0	3	152	24168	3	0	3	159	24168	3	0	3	159	23916	3	0	3	157	25175	3	0	3	166
T4	22785			3	0	3	150	23775	3	0	3	156	23775	3	0	3	156	23526	3	0	3	155	24766	3	0	4	163
T4A	23997			3	0	3	158	25041	3	0	3	165	25041	3	0	3	165	24780	3	0	3	163	26084	3	0	3	172
T4LG	23092			3	0	2	152	24096	3	0	3	158	24096	3	0	3	158	23845	3	0	3	157	25100	3	0	3	165
T4FT	23457			3	0	4	154	24477	3	0	4	161	24477	3	0	4	161	24222	3	0	4	159	25497	3	0	4	168
T5	23934			4	0	2	157	24974	4	0	2	164	24974	4	0	2	164	24714	4	0	2	163	26015	4	0	3	171
T5LG	23320			4	0	2	153	24334	4	0	2	160	24334	4	0	2	160	24081	4	0	2	158	25348	4	0	2	167
T5W	23118			5	0	3	152	24123	5	0	3	159	24123	5	0	3	159	23872	5	0	3	157	25129	5	0	3	165
T5WW	21945			5	0	3	144	22899	5	0	3	151	22899	5	0	3	151	22661	5	0	3	149	23853	5	0	3	157
FN	23650			5	0	1	156	24678	5	0	2	162	24678	5	0	2	162	24421	5	0	1	161	25706	5	0	2	169
FM	24105			5	0	1	159	25153	5	0	1	165	25153	5	0	1	165	24891	5	0	1	164	26202	5	0	1	172
FW	24023			4	0	2	158	25068	4	0	2	165	25068	4	0	2	165	24807	4	0	2	163	26112	5	0	2	172
96LD	700 mA (203.8W)			T1	29560	4	0	4	145	30845	4	0	4	151	30845	4	0	4	151	30524	4	0	4	150	32130	5	0
		T2	28718	4	0	5	141	29967	4	0	5	147	29967	4	0	5	147	29654	4	0	5	145	31215	4	0	5	153
		T3R	29146	4	0	5	143	30413	4	0	5	149	30413	4	0	5	149	30096	4	0	5	148	31680	4	0	5	155
		T3	28830	3	0	4	141	30084	3	0	4	148	30084	3	0	4	148	29770	3	0	4	146	31337	3	0	4	154
		T3W	29381	3	0	4	144	30658	3	0	4	150	30658	3	0	4	150	30339	3	0	4	149	31936	3	0	4	157
		T3LG	29473	3	0	3	145	30754	3	0	3	151	30754	3	0	3	151	30434	3	0	3	149	32036	3	0	3	157
		T4	28994	4	0	4	142	30255	4	0	4	148	30255	4	0	4	148	29940	4	0	4	147	31516	4	0	4	155
		T4A	30538	3	0	3	150	31865	3	0	3	156	31865	3	0	3	156	31533	3	0	3	155	33193	3	0	3	163
		T4LG	29386	3	0	3	144	30663	3	0	3	150	30663	3	0	3	150	30344	3	0	3	149	31941	3	0	3	157
		T4FT	29850	3	0	5	146	31147	3	0	5	153	31147	3	0	5	153	30823	3	0	5	151	32445	3	0	5	159
		T5	30456	5	0	3	149	31781	5	0	3	156	31781	5	0	3	156	31450	5	0	3	154	33105	5	0	3	162
		T5LG	29676	4	0	2	146	30966	4	0	2	152	30966	4	0	2	152	30643	4	0	2	150	32256	4	0	3	158
		T5W	29419	5	0	3	144	30698	5	0	3	151	30698	5	0	3	151	30378	5	0	3	149	31977	5	0	4	157
		T5WW	27926	5	0	3	137	29140	5	0	3	143	29140	5	0	3	143	28836	5	0	3	141	30354	5	0	4	149
		FN	30095	5	0	2	148	31404	5	0	2	154	31404	5	0	2	154	31076	5	0	2	152	32712	5	0	2	160
		FM	30675	5	0	1	150	32009	5	0	2	157	32009	5	0	2	157	31675	5	0	2	155	33342	5	0	2	164
		FW	30571	5	0	2	150	31900	5	0	2	156	31900	5	0	2	156	31588	5	0	2	155	33229	5	0	2	163
		96LD	1050 mA (314.4W)	T1	39835	5	0	5	127	41567	5	0	5	132	41567	5	0	5	132	41134	5	0	5	131	43299	5	0
T2	38701			4	0	5	123	40383	4	0	5	128	40383	4	0	5	128	39963	4	0	5	127	42066	4	0	5	134
T3R	39277			4	0	5	125	40985	4	0	5	130															

VLX-1 LED SPECIFICATIONS / Forward Optics																													
Lcd Count	Current & Watts	Distribution Type	70CRI																										
			27K					30K					35K					40K					50K						
			Lumens	B	U	G	LPW	Lumens	B	U	G	LPW	Lumens	B	U	G	LPW	Lumens	B	U	G	LPW	Lumens	B	U	G	LPW		
128LD	350 mA (131.5W)	T1	20691	4	0	4	157	21590	4	0	4	164	21590	4	0	4	164	21365	4	0	4	162	22490	4	0	4	171		
		T2	20101	3	0	4	153	20975	3	0	4	160	20975	3	0	4	160	20757	3	0	4	158	21849	3	0	4	166		
		T3R	20401	3	0	4	155	21288	3	0	4	162	21288	3	0	4	162	21066	3	0	4	160	22175	3	0	4	169		
		T3	20180	3	0	3	153	21057	3	0	3	160	21057	3	0	3	160	20838	3	0	3	158	21935	3	0	3	167		
		T3W	20565	3	0	3	156	21459	3	0	3	163	21459	3	0	3	163	21236	3	0	3	161	22354	3	0	3	170		
		T3LG	20630	3	0	3	157	21527	3	0	3	164	21527	3	0	3	164	21302	3	0	3	162	22424	3	0	3	171		
		T4	20295	3	0	3	154	21177	3	0	3	161	21177	3	0	3	161	20957	3	0	3	159	22060	3	0	3	168		
		T4A	21375	3	0	3	163	22304	3	0	3	170	22304	3	0	3	170	22072	3	0	3	168	23234	3	0	3	177		
		T4LG	20669	3	0	2	156	21463	3	0	2	163	21463	3	0	2	163	21239	3	0	2	162	22357	3	0	2	170		
		T4FT	20893	3	0	4	159	21802	3	0	4	166	21802	3	0	4	166	21575	3	0	4	164	22710	3	0	4	173		
		T5	21318	4	0	2	162	22245	4	0	2	169	22245	4	0	2	169	22013	4	0	2	167	23172	4	0	2	176		
		T5LG	20772	3	0	2	158	21675	4	0	2	165	21675	4	0	2	165	21449	4	0	2	163	22578	4	0	2	172		
		T5W	20292	4	0	3	157	21487	5	0	3	163	21487	5	0	3	163	21263	5	0	3	162	22383	5	0	3	170		
		T5WW	19547	4	0	2	149	20397	5	0	3	155	20397	5	0	3	155	20184	5	0	3	153	21247	5	0	3	162		
		FN	21065	5	0	1	160	21981	5	0	1	167	21981	5	0	1	167	21752	5	0	1	165	22897	5	0	1	174		
		FM	21471	5	0	1	163	22405	5	0	1	170	22405	5	0	1	170	22171	5	0	1	169	23338	5	0	1	177		
		FW	21398	4	0	1	163	22329	4	0	2	170	22329	4	0	2	170	22096	4	0	2	168	23259	4	0	2	177		
		128LD	530 mA (202.8W)	T1	30589	4	0	4	151	31919	5	0	5	157	31919	5	0	5	157	31586	5	0	5	156	33248	5	0	5	164
				T2	29718	4	0	5	147	31010	4	0	5	153	31010	4	0	5	153	30687	4	0	5	151	32302	4	0	5	159
				T3R	30160	4	0	5	149	31472	4	0	5	155	31472	4	0	5	155	31144	4	0	5	154	32783	4	0	5	162
T3	29834			3	0	4	147	31131	3	0	4	154	31131	3	0	4	154	30907	3	0	4	152	32428	3	0	4	160		
T3W	30403			3	0	4	150	31725	3	0	4	156	31725	3	0	4	156	31395	3	0	4	155	33047	3	0	4	163		
T3LG	30499			3	0	3	150	31825	3	0	3	157	31825	3	0	3	157	31493	3	0	3	155	33151	3	0	3	163		
T4	30004			4	0	4	148	31308	4	0	4	154	31308	4	0	4	154	30982	4	0	4	153	32613	4	0	4	161		
T4A	31601			3	0	3	156	32974	3	0	3	163	32974	3	0	3	163	32631	3	0	3	161	34348	3	0	3	169		
T4LG	30409			3	0	3	156	31731	3	0	3	156	31731	3	0	3	156	31400	3	0	3	155	33053	3	0	3	163		
T4FT	30889			3	0	5	152	32232	3	0	5	159	32232	3	0	5	159	31896	3	0	5	157	33575	3	0	5	166		
T5	31517			5	0	3	155	32887	5	0	3	162	32887	5	0	3	162	32544	5	0	3	161	34257	5	0	3	169		
T5LG	30709			4	0	2	151	32044	4	0	2	158	32044	4	0	2	158	31710	4	0	2	156	33379	4	0	2	165		
T5W	30443			5	0	3	150	31767	5	0	4	157	31767	5	0	4	157	31436	5	0	4	155	33090	5	0	4	163		
T5WW	28898			5	0	3	143	30154	5	0	4	149	30154	5	0	4	149	29840	5	0	4	147	31411	5	0	4	155		
FN	31143			5	0	2	154	32497	5	0	2	160	32497	5	0	2	160	32158	5	0	2	159	33851	5	0	2	167		
FM	31743			5	0	2	157	33123	5	0	2	163	33123	5	0	2	163	32778	5	0	2	162	34503	5	0	2	170		
FW	31635			5	0	2	156	33010	5	0	2	163	33010	5	0	2	163	32666	5	0	2	161	34386	5	0	2	170		
128LD	700 mA (271.8W)			T1	38925	5	0	5	143	40618	5	0	5	149	40618	5	0	5	149	40194	5	0	5	148	42310	5	0	5	156
				T2	37817	4	0	5	139	39461	4	0	5	145	39461	4	0	5	145	39050	4	0	5	144	41105	4	0	5	151
				T3R	38380	4	0	5	141	40049	4	0	5	147	40049	4	0	5	147	39632	4	0	5	146	41717	4	0	5	153
		T3	37965	3	0	4	140	39615	4	0	4	146	39615	4	0	4	146	39202	4	0	4	144	41266	4	0	4	152		
		T3W	38690	3	0	5	142	40372	3	0	5	149	40372	3	0	5	149	39951	3	0	5	147	42054	3	0	5	155		
		T3LG	38811	4	0	3	143	40498	4	0	3	149	40498	4	0	3	149	40076	4	0	3	147	42185	4	0	3	155		
		T4	38181	4	0	4	140	39841	4	0	5	147	39841	4	0	5	147	39426	4	0	4	145	41501	4	0	5	153		
		T4A	40213	4	0	3	148	41961	4	0	3	154	41961	4	0	3	154	41524	4	0	3	153	43710	4	0	3	161		
		T4LG	38696	3	0	3	142	40378	3	0	3	149	40378	3	0	3	149	39958	3	0	3	147	42061	4	0	3	155		
		T4FT	39307	3	0	5	145	41016	4	0	5	151	41016	4	0	5	151	40589	4	0	5	149	42725	4	0	5	157		
		T5	40106	5	0	4	148	41850	5	0	4	154	41850	5	0	4	154	41414	5	0	4	152	43594	5	0	4	160		
		T5LG	39078	4	0	3	144	40777	4	0	3	150	40777	4	0	3	150	40352	4	0	3	148	42476	5	0	3	156		
		T5W	38740	5	0	4	143	40424	5	0	4	149	40424	5	0	4	149	40003	5	0	4	147	42106	5	0	4	155		
		T5WW	36774	5	0	4	135	38372	5	0	4	141	38372	5	0	4	141	37973	5	0	4	140	39971	5	0	4	147		
		FN	39630	5	0	2	146	41353	5	0	2	152	41353	5	0	2	152	40922	5	0	2	151	43076	5	0	2	158		
		FM	40394	5	0	2	149	42150	5	0	2	155	42150	5	0	2	155	41711	5	0	2	153	43906	5	0	2	162		
		FW	40256	5	0	2	148	42007	5	0	2	155	42007	5	0	2	155	41589	5	0	2	153	43757	5	0	2	161		
		128LD	1050 mA (419.2W)	T1	52456	5	0	5	125	54736	5	0	5	131	54736	5	0	5	131	54166	5	0	5	129	57017	5	0	5	136
				T2	50962	4	0	5	122	53178	5	0	5	127	53178	5	0	5	127	52624	5	0	5	126	55394	5	0	5	132
				T3R	51721	5	0	5	123	53970	5	0	5	129															

VLX-1 LED SPECIFICATIONS / Forward Optics																													
Led Count	Current & Watts	Distribution Type	70CRI																										
			27K					30K					35K					40K					50K						
			Lumens	B	U	G	LPW	Lumens	B	U	G	LPW	Lumens	B	U	G	LPW	Lumens	B	U	G	LPW	Lumens	B	U	G	LPW		
160LD	350 mA (164.3W)	T1	25686	4	0	4	156	26803	4	0	4	163	26803	4	0	4	163	26524	4	0	4	161	27920	4	0	4	170		
		T2	24955	3	0	4	152	26040	4	0	4	158	26040	4	0	4	158	25769	3	0	4	157	27125	4	0	5	165		
		T3R	25327	3	0	5	154	26428	4	0	5	161	26428	4	0	5	161	26153	4	0	5	159	27529	4	0	5	168		
		T3	25052	3	0	3	152	26142	3	0	3	159	26142	3	0	3	159	25869	3	0	3	157	27231	3	0	3	166		
		T3W	25531	3	0	4	155	26641	3	0	4	162	26641	3	0	4	162	26363	3	0	4	160	27751	3	0	4	169		
		T3LG	25611	3	0	3	156	26724	3	0	3	163	26724	3	0	3	163	26446	3	0	3	161	27838	3	0	3	169		
		T4	25195	3	0	4	153	26291	4	0	4	160	26291	4	0	4	160	26017	4	0	4	158	27386	4	0	4	167		
		T4A	26536	3	0	3	161	27690	3	0	3	168	27690	3	0	3	168	27401	3	0	3	167	28844	3	0	3	176		
		T4LG	25535	3	0	3	155	26645	3	0	3	162	26645	3	0	3	162	26388	3	0	3	160	27756	3	0	3	169		
		T4FT	25938	3	0	4	158	27066	3	0	4	165	27066	3	0	4	165	26784	3	0	4	163	28194	3	0	4	172		
		T5	26466	4	0	3	161	27616	5	0	3	168	27616	5	0	3	168	27329	5	0	3	166	28767	5	0	3	175		
		T5LG	25787	4	0	2	157	26908	4	0	2	164	26908	4	0	2	164	26628	4	0	2	162	28030	4	0	2	171		
		T5W	25564	5	0	3	156	26676	5	0	3	162	26676	5	0	3	162	26398	5	0	3	161	27787	5	0	3	169		
		T5WW	24267	5	0	3	148	25322	5	0	3	154	25322	5	0	3	154	25058	5	0	3	152	26377	5	0	3	161		
		FN	26152	5	0	2	159	27289	5	0	2	166	27289	5	0	2	166	27004	5	0	2	164	28426	5	0	2	173		
		FM	26656	5	0	1	162	27814	5	0	1	169	27814	5	0	1	169	27525	5	0	1	167	28973	5	0	1	176		
		FW	26565	5	0	2	162	27720	5	0	2	169	27720	5	0	2	169	27431	5	0	2	167	28875	5	0	2	176		
		160LD	530 mA (253.5W)	T1	37984	5	0	5	150	39636	5	0	5	156	39636	5	0	5	156	39223	5	0	5	155	41287	5	0	5	163
				T2	36903	4	0	5	146	38507	4	0	5	152	38507	4	0	5	152	38106	4	0	5	150	40112	4	0	5	158
				T3R	37452	4	0	5	148	39081	4	0	5	154	39081	4	0	5	154	38674	4	0	5	153	40709	4	0	5	161
T3	37047			3	0	4	146	38658	4	0	4	153	38658	4	0	4	153	38255	4	0	4	151	40288	4	0	4	159		
T3W	37754			3	0	5	149	39396	3	0	5	155	39396	3	0	5	155	38986	3	0	5	154	41037	3	0	5	162		
T3LG	37873			3	0	3	149	39519	4	0	3	156	39519	4	0	3	156	39108	4	0	3	154	41166	4	0	3	162		
T4	37258			4	0	4	147	38878	4	0	4	153	38878	4	0	4	153	38473	4	0	4	152	40496	4	0	5	160		
T4A	39241			4	0	3	155	40947	4	0	3	162	40947	4	0	3	162	40521	4	0	3	160	42653	4	0	3	168		
T4LG	37761			3	0	3	149	39403	3	0	3	155	39403	3	0	3	155	38992	3	0	3	154	41044	4	0	3	162		
T4FT	38357			3	0	5	151	40025	4	0	5	158	40025	4	0	5	158	39608	4	0	5	156	41692	4	0	5	164		
T5	39137			5	0	4	154	40838	5	0	4	161	40838	5	0	4	161	40413	5	0	4	159	42540	5	0	4	168		
T5LG	38133			4	0	3	150	39791	4	0	3	157	39791	4	0	3	157	39377	4	0	3	155	41449	5	0	3	164		
T5W	37803			5	0	4	149	39447	5	0	4	156	39447	5	0	4	156	39036	5	0	4	154	41091	5	0	4	162		
T5WW	35885			5	0	4	142	37445	5	0	4	148	37445	5	0	4	148	37055	5	0	4	146	39005	5	0	4	154		
FN	38672			5	0	2	153	40354	5	0	2	159	40354	5	0	2	159	39933	5	0	2	158	42035	5	0	2	166		
FM	39418			5	0	2	156	41131	5	0	2	162	41131	5	0	2	162	40703	5	0	2	161	42845	5	0	2	169		
FW	39284			5	0	2	155	40991	5	0	2	162	40991	5	0	2	162	40564	5	0	2	160	42699	5	0	2	168		
160LD	700 mA (339.7W)			T1	48337	5	0	5	142	50438	5	0	5	148	50438	5	0	5	148	49913	5	0	5	147	52540	5	0	5	155
				T2	46960	4	0	5	138	49002	4	0	5	144	49002	4	0	5	144	48492	4	0	5	143	51044	4	0	5	150
				T3R	47660	4	0	5	140	49732	4	0	5	146	49732	4	0	5	146	49214	4	0	5	145	51804	5	0	5	152
		T3	47144	4	0	5	139	49193	4	0	5	145	49193	4	0	5	145	48681	4	0	5	143	51243	4	0	5	151		
		T3W	48044	4	0	5	141	50133	4	0	5	148	50133	4	0	5	148	49611	4	0	5	146	52222	4	0	5	154		
		T3LG	48194	4	0	3	142	50290	4	0	4	148	50290	4	0	4	148	49786	4	0	4	146	52385	4	0	4	154		
		T4	47412	4	0	5	140	49473	4	0	5	146	49473	4	0	5	146	48958	4	0	5	144	51535	5	0	5	152		
		T4A	49936	4	0	3	147	52107	4	0	4	153	52107	4	0	4	153	51564	4	0	4	152	54278	4	0	4	160		
		T4LG	48052	4	0	3	141	50141	4	0	3	148	50141	4	0	3	148	49619	4	0	3	146	52290	4	0	4	154		
		T4FT	48811	4	0	5	144	50933	4	0	5	150	50933	4	0	5	150	50402	4	0	5	148	53055	4	0	5	156		
		T5	49803	5	0	4	147	51968	5	0	4	153	51968	5	0	4	153	51427	5	0	4	151	54134	5	0	4	159		
		T5LG	48526	5	0	3	143	50636	5	0	3	149	50636	5	0	3	149	50109	5	0	3	147	52746	5	0	3	155		
		T5W	48106	5	0	4	142	50198	5	0	5	148	50198	5	0	5	148	49675	5	0	4	146	52289	5	0	5	154		
		T5WW	45665	5	0	4	134	47650	5	0	5	140	47650	5	0	5	140	47154	5	0	4	139	49636	5	0	5	146		
		FN	49212	5	0	2	145	51352	5	0	2	151	51352	5	0	2	151	50817	5	0	2	150	53491	5	0	2	157		
		FM	50160	5	0	2	148	52341	5	0	2	154	52341	5	0	2	154	51796	5	0	2	152	54522	5	0	2	160		
		FW	49990	5	0	3	147	52163	5	0	3	154	52163	5	0	3	154	51620	5	0	3	152	54337	5	0	3	160		
		160LD	1050 mA (524.0W)	T1	65139	5	0	5	124	67971	5	0	5	130	67971	5	0	5	130	67263	5	0	5	128	70803	5	0	5	135
				T2	63284	5	0	5	121	66035	5	0	5	126	66035	5	0	5	126	65347	5	0	5	125	68767	5	0	5	131
				T3R	64226	5	0	5	123	67019	5	0	5	128															

VLX-1 LED SPECIFICATIONS / Forward Optics																													
Led Count	Current & Watts	Distribution Type	70CRI																										
			27K					30K					35K					40K					50K						
			Lumens	B	U	G	LPW	Lumens	B	U	G	LPW	Lumens	B	U	G	LPW	Lumens	B	U	G	LPW	Lumens	B	U	G	LPW		
192LD	350 mA (197.2W)	T1	30427	4	0	4	154	31750	5	0	5	161	31750	5	0	5	161	31420	5	0	5	159	33073	5	0	5	168		
		T2	29561	4	0	5	150	30846	4	0	5	156	30846	4	0	5	156	30525	4	0	5	155	32132	4	0	5	163		
		T3R	30001	4	0	5	152	31306	4	0	5	159	31306	4	0	5	159	30980	4	0	5	157	32610	4	0	5	165		
		T3	29677	3	0	4	150	30967	3	0	4	157	30967	3	0	4	157	30644	3	0	4	155	32257	3	0	4	164		
		T3W	30243	3	0	4	153	31558	3	0	4	160	31558	3	0	4	160	31229	3	0	4	158	32673	3	0	4	167		
		T3LG	30338	3	0	3	154	31657	3	0	3	161	31657	3	0	3	161	31327	3	0	3	159	32976	3	0	3	167		
		T4	29846	4	0	4	151	31143	4	0	4	158	31143	4	0	4	158	30819	4	0	4	156	32441	4	0	4	165		
		T4A	31434	3	0	3	159	32801	3	0	3	166	32801	3	0	3	166	32459	3	0	3	165	34168	3	0	3	173		
		T4LG	30248	3	0	3	153	31564	3	0	3	160	31564	3	0	3	160	31235	3	0	3	158	32879	3	0	3	167		
		T4FT	30726	3	0	5	156	32062	3	0	5	163	32062	3	0	5	163	31728	3	0	5	161	33398	3	0	5	169		
		T5	31351	5	0	3	159	32714	5	0	3	166	32714	5	0	3	166	32373	5	0	3	164	34077	5	0	3	173		
		T5LG	30547	4	0	2	155	31875	4	0	2	162	31875	4	0	2	162	31543	4	0	2	160	33203	4	0	2	168		
		T5W	30283	5	0	3	154	31599	5	0	4	160	31599	5	0	4	160	31270	5	0	4	159	32916	5	0	4	167		
		T5WW	28746	5	0	3	146	29995	5	0	4	152	29995	5	0	4	152	29683	5	0	4	151	31245	5	0	4	158		
		FN	30979	5	0	2	157	32326	5	0	2	164	32326	5	0	2	164	31999	5	0	2	162	33672	5	0	2	171		
		FM	31576	5	0	2	160	32948	5	0	2	167	32948	5	0	2	167	32605	5	0	2	165	34321	5	0	2	174		
		FW	31468	5	0	2	160	32836	5	0	2	167	32836	5	0	2	167	32494	5	0	2	165	34205	5	0	2	173		
		192LD	530 mA (304.1W)	T1	44995	5	0	5	148	46952	5	0	5	154	46952	5	0	5	154	46463	5	0	5	153	48908	5	0	5	161
				T2	43714	4	0	5	144	45615	4	0	5	150	45615	4	0	5	150	45140	4	0	5	148	47915	4	0	5	156
				T3R	44365	4	0	5	146	46294	4	0	5	152	46294	4	0	5	152	45812	4	0	5	151	48223	4	0	5	159
T3	43885			4	0	4	144	45793	4	0	5	151	45793	4	0	5	151	45316	4	0	4	149	47701	4	0	5	157		
T3W	44723			4	0	5	147	46667	4	0	5	153	46667	4	0	5	153	46181	4	0	5	152	48612	4	0	5	160		
T3LG	44863			4	0	3	148	46814	4	0	3	154	46814	4	0	3	154	46326	4	0	3	152	48784	4	0	4	160		
T4	44135			4	0	5	145	46054	4	0	5	151	46054	4	0	5	151	45574	4	0	5	150	47973	4	0	5	158		
T4A	46484			4	0	3	153	48505	4	0	3	159	48505	4	0	3	159	48000	4	0	3	158	50526	4	0	3	166		
T4LG	44731			4	0	3	147	46675	4	0	3	153	46675	4	0	3	153	46189	4	0	3	152	48620	4	0	4	160		
T4FT	45437			4	0	5	149	47412	4	0	5	156	47412	4	0	5	156	46918	4	0	5	154	49388	4	0	5	162		
T5	46360			5	0	4	152	48378	5	0	4	159	48378	5	0	4	159	47872	5	0	4	157	50392	5	0	4	166		
T5LG	45172			5	0	3	149	47136	5	0	3	155	47136	5	0	3	155	46645	5	0	3	153	49100	5	0	3	161		
T5W	44781			5	0	4	147	46728	5	0	4	154	46728	5	0	4	154	46241	5	0	4	152	48675	5	0	4	160		
T5WW	42508			5	0	4	140	44357	5	0	4	146	44357	5	0	4	146	43894	5	0	4	144	46205	5	0	4	152		
FN	45810			5	0	2	151	47802	5	0	2	157	47802	5	0	2	157	47304	5	0	2	156	49794	5	0	2	164		
FM	46693			5	0	2	154	48723	5	0	2	160	48723	5	0	2	160	48216	5	0	2	159	50753	5	0	2	167		
FW	46534			5	0	2	153	48558	5	0	2	160	48558	5	0	2	160	48052	5	0	2	158	50581	5	0	2	166		
192LD	700 mA (407.7W)			T1	57258	5	0	5	140	59748	5	0	5	147	59748	5	0	5	147	59125	5	0	5	145	62237	5	0	5	153
				T2	55628	5	0	5	136	58047	5	0	5	142	58047	5	0	5	142	57442	5	0	5	141	60465	5	0	5	148
				T3R	56457	5	0	5	138	58911	5	0	5	144	58911	5	0	5	144	58297	5	0	5	143	61366	5	0	5	151
		T3	55845	4	0	5	137	58273	4	0	5	143	58273	4	0	5	143	57666	4	0	5	141	60701	4	0	5	149		
		T3W	56912	4	0	5	140	59386	4	0	5	146	59386	4	0	5	146	58768	4	0	5	144	61861	4	0	5	152		
		T3LG	57090	4	0	4	140	59572	4	0	4	146	59572	4	0	4	146	58951	4	0	4	145	62054	4	0	4	152		
		T4	56163	5	0	5	138	58605	5	0	5	144	58605	5	0	5	144	57995	5	0	5	142	61047	5	0	5	150		
		T4A	59153	4	0	4	145	61724	4	0	4	151	61724	4	0	4	151	61081	4	0	4	150	64296	4	0	4	158		
		T4LG	56921	4	0	4	140	59396	4	0	4	146	59396	4	0	4	146	58777	4	0	4	144	61871	4	0	4	152		
		T4FT	57820	4	0	5	142	60334	4	0	5	148	60334	4	0	5	148	59705	4	0	5	146	62848	4	0	5	154		
		T5	58995	5	0	4	145	61560	5	0	4	151	61560	5	0	4	151	60919	5	0	4	149	64125	5	0	4	157		
		T5LG	57483	5	0	3	141	59982	5	0	3	147	59982	5	0	3	147	59357	5	0	3	146	62481	5	0	3	153		
		T5W	56986	5	0	5	140	59463	5	0	5	146	59463	5	0	5	146	58844	5	0	5	144	61941	5	0	5	152		
		T5WW	54093	5	0	5	133	56445	5	0	5	138	56445	5	0	5	138	55857	5	0	5	137	58797	5	0	5	144		
		FN	58295	5	0	3	143	60830	5	0	3	149	60830	5	0	3	149	60196	5	0	3	148	63365	5	0	3	155		
		FM	59419	5	0	2	146	62002	5	0	2	152	62002	5	0	2	152	61356	5	0	2	150	64586	5	0	2	158		
		FW	59217	5	0	3	145	61791	5	0	3	152	61791	5	0	3	152	61148	5	0	3	150	64366	5	0	3	158		
		192LD	1050 mA (628.8W)	T1	77162	5	0	5	123	80516	5	0	5	128	80516	5	0	5	128	79678	5	0	5	127	83971	5	0	5	133
				T2	74965	5	0	5	119	78224	5	0	5	124	78224	5	0	5	124	77409	5	0	5	123	81483	5	0	5	130
				T3R	76081	5	0	5	121	79389	5	0	5	126</															

VLX-1-BHS LED SPECIFICATIONS / Forward Optics																											
Led Count	Current & Watts	Distribution Type	70CRI																								
			27K					30K					35K					40K					50K				
			Lumens	B	U	G	LPW	Lumens	B	U	G	LPW	Lumens	B	U	G	LPW	Lumens	B	U	G	LPW	Lumens	B	U	G	LPW
96LD	350 mA (98.6W)	T1	11459	1	0	2	116	11957	1	0	2	121	11957	1	0	2	121	11833	1	0	2	120	12456	1	0	2	126
		T2	10666	1	0	4	108	11130	1	0	4	113	11130	1	0	4	113	11014	1	0	4	112	11594	1	0	4	118
		T3R	11658	1	0	4	118	12165	1	0	4	123	12165	1	0	4	123	12038	1	0	4	122	12672	1	0	4	129
		T3	11916	1	0	3	121	12434	1	0	3	126	12434	1	0	3	126	12305	1	0	3	125	12952	1	0	3	131
		T3W	12182	1	0	3	124	12711	1	0	3	129	12711	1	0	3	129	12579	1	0	3	128	13241	1	0	3	134
		T3LG	11872	1	0	2	120	12388	1	0	2	126	12388	1	0	2	126	12259	1	0	2	124	12905	1	0	2	131
		T4	11802	1	0	3	120	12315	1	0	3	125	12315	1	0	3	125	12187	1	0	3	124	12828	1	0	3	130
		T4A	12641	2	0	3	128	13190	2	0	3	134	13190	2	0	3	134	13053	2	0	3	132	13740	2	0	3	139
		T4LG	12673	1	0	2	129	13224	1	0	2	134	13224	1	0	2	134	13086	1	0	2	133	13775	1	0	2	140
		T4FT	11170	3	0	3	113	11655	3	0	3	118	11655	3	0	3	118	11534	3	0	3	117	12141	3	0	3	123
		T5	10790	1	0	4	109	11259	1	0	4	114	11259	1	0	4	114	11142	1	0	4	113	11728	1	0	4	119
		T5LG	11190	1	0	2	113	11677	1	0	2	118	11677	1	0	2	118	11555	1	0	2	117	12163	1	0	2	123
		T5W	10366	1	0	4	105	10816	1	0	4	110	10816	1	0	4	110	10704	1	0	4	109	11267	1	0	4	114
		T5WW	9785	1	0	4	99	10210	1	0	4	104	10210	1	0	4	104	10104	1	0	4	102	10635	1	0	4	108
		FN	11784	3	0	3	120	12296	4	0	4	125	12296	4	0	4	125	12168	4	0	4	123	12809	4	0	4	130
		FM	12011	3	0	4	122	12533	4	0	4	127	12533	4	0	4	127	12403	4	0	4	126	13056	4	0	4	132
		FW	10944	2	0	4	111	11420	2	0	4	116	11420	2	0	4	116	11301	2	0	4	115	11896	2	0	4	121
		96LD	530 mA (152.1W)	T1	16946	1	0	3	111	17682	1	0	3	116	17682	1	0	3	116	17498	1	0	3	115	18419	1	0
T2	15773			2	0	5	104	16459	2	0	5	108	16459	2	0	5	108	16287	2	0	5	107	17145	2	0	5	113
T3R	17239			1	0	5	113	17989	1	0	5	118	17989	1	0	5	118	17801	1	0	5	117	18738	1	0	5	123
T3	17621			1	0	4	116	18387	1	0	4	121	18387	1	0	4	121	18196	1	0	4	120	19153	1	0	4	126
T3W	18014			2	0	4	118	18797	2	0	4	124	18797	2	0	4	124	18601	2	0	4	122	19580	2	0	4	129
T3LG	17556			2	0	3	115	18320	2	0	3	120	18320	2	0	3	120	18129	2	0	3	119	19083	2	0	3	125
T4	17452			2	0	4	115	18211	2	0	4	120	18211	2	0	4	120	18021	2	0	4	119	18970	2	0	4	125
T4A	18693			2	0	4	123	19505	2	0	4	128	19505	2	0	4	128	19302	2	0	4	127	20318	2	0	4	134
T4LG	18741			2	0	3	123	19556	2	0	3	129	19556	2	0	3	129	19352	2	0	3	127	20370	2	0	3	134
T4FT	16517			3	0	3	109	17235	3	0	4	113	17235	3	0	4	113	17056	3	0	4	112	17953	3	0	4	118
T5	15956			2	0	5	105	16650	2	0	5	109	16650	2	0	5	109	16476	2	0	5	108	17343	2	0	5	114
T5LG	16548			1	0	2	109	17267	1	0	2	114	17267	1	0	2	114	17087	1	0	2	112	17987	1	0	2	118
T5W	15328			2	0	5	101	15995	2	0	5	105	15995	2	0	5	105	15826	2	0	5	104	16661	2	0	5	110
T5WW	14469			1	0	5	95	15098	2	0	5	99	15098	2	0	5	99	14941	2	0	5	98	15727	2	0	5	103
FN	17426			4	0	4	115	18184	4	0	5	120	18184	4	0	5	120	17994	4	0	5	118	18941	4	0	5	125
FM	17762			4	0	5	117	18534	4	0	5	122	18534	4	0	5	122	18341	4	0	5	121	19306	4	0	5	127
FW	16184			2	0	5	106	16888	3	0	5	111	16888	3	0	5	111	16712	3	0	5	110	17592	3	0	5	116
96LD	700 mA (203.8W)			T1	21564	1	0	4	106	22502	1	0	4	110	22502	1	0	4	110	22267	1	0	4	109	23439	1	0
		T2	20072	2	0	5	98	20944	2	0	5	103	20944	2	0	5	103	20726	2	0	5	102	21817	2	0	5	107
		T3R	21938	2	0	5	108	22891	2	0	5	112	22891	2	0	5	112	22653	2	0	5	111	23845	2	0	5	117
		T3	22423	2	0	5	110	23398	2	0	5	115	23398	2	0	5	115	23155	2	0	5	114	24373	2	0	5	120
		T3W	22923	2	0	5	112	23920	2	0	5	117	23920	2	0	5	117	23671	2	0	5	116	24917	2	0	5	122
		T3LG	22341	2	0	3	110	23313	2	0	3	114	23313	2	0	3	114	23070	2	0	3	113	24284	2	0	3	119
		T4	22208	2	0	5	109	23174	2	0	5	114	23174	2	0	5	114	22933	2	0	5	112	24140	2	0	5	118
		T4A	23787	3	0	5	117	24821	3	0	5	122	24821	3	0	5	122	24563	3	0	5	120	25856	3	0	5	127
		T4LG	23848	2	0	4	117	24885	2	0	4	122	24885	2	0	4	122	24626	2	0	4	121	25922	2	0	4	127
		T4FT	21019	3	0	4	103	21933	3	0	4	108	21933	3	0	4	108	21704	3	0	4	106	22846	3	0	4	112
		T5	20304	2	0	5	100	21187	2	0	5	104	21187	2	0	5	104	20966	2	0	5	103	22070	2	0	5	108
		T5LG	21058	2	0	3	103	21973	2	0	3	108	21973	2	0	3	108	21744	2	0	3	107	22889	2	0	3	112
		T5W	19506	2	0	5	96	20354	2	0	5	100	20354	2	0	5	100	20142	2	0	5	99	21202	2	0	5	104
		T5WW	18413	2	0	5	90	19213	2	0	5	94	19213	2	0	5	94	19013	2	0	5	93	20014	2	0	5	98
		FN	22175	4	0	5	109	23139	4	0	5	114	23139	4	0	5	114	22898	4	0	5	112	24104	4	0	5	118
		FM	22603	4	0	5	111	23585	4	0	5	116	23585	4	0	5	116	23340	4	0	5	114	24568	4	0	5	121
		FW	20595	3	0	5	101	21490	3	0	5	105	21490	3	0	5	105	21267	3	0	5	104	22386	3	0	5	110
		96LD	1050 mA (314.4W)	T1	29060	2	0	4	92	30323	2	0	4	96	30323	2	0	4	96	30007	2	0	4	95	31587	2	0
T2	27049			2	0	5	86	28225	2	0	5	90	28225	2	0	5	90	27931	2	0	5	89	29401	2	0	5	94
T3R	29563			2	0	5	94	30849	2	0	5																

VLX-1-BHS LED SPECIFICATIONS / Forward Optics																													
Lcd Count	Current & Watts	Distribution Type	70CRI																										
			27K					30K					35K					40K					50K						
			Lumens	B	U	G	LPW	Lumens	B	U	G	LPW	Lumens	B	U	G	LPW	Lumens	B	U	G	LPW	Lumens	B	U	G	LPW		
128LD	350 mA (131.5W)	T1	15094	1	0	3	115	15750	1	0	3	120	15750	1	0	3	120	15586	1	0	3	119	16406	1	0	3	125		
		T2	14049	1	0	4	107	14660	2	0	5	111	14660	2	0	5	111	14507	2	0	5	110	15271	2	0	5	116		
		T3R	15355	1	0	4	117	16023	1	0	4	122	16023	1	0	4	122	15856	1	0	4	121	16691	1	0	4	127		
		T3	15695	1	0	4	119	16378	1	0	4	125	16378	1	0	4	125	16207	1	0	4	123	17060	1	0	4	130		
		T3W	16045	2	0	4	122	16743	2	0	4	127	16743	2	0	4	127	16569	2	0	4	126	17441	2	0	4	133		
		T3LG	15638	1	0	3	119	16318	1	0	3	124	16318	1	0	3	124	16148	1	0	3	123	16996	1	0	3	129		
		T4	15545	1	0	4	118	16221	1	0	4	123	16221	1	0	4	123	16052	1	0	4	122	16897	1	0	4	128		
		T4A	16650	2	0	4	127	17374	2	0	4	132	17374	2	0	4	132	17193	2	0	4	131	18096	2	0	4	138		
		T4LG	16693	1	0	3	127	17419	1	0	3	132	17419	1	0	3	132	17237	1	0	3	131	18144	1	0	3	138		
		T4FT	14712	3	0	3	112	15352	3	0	3	117	15352	3	0	3	117	15192	3	0	3	116	15992	3	0	3	122		
		T5	14212	2	0	5	108	14830	2	0	5	113	14830	2	0	5	113	14676	2	0	5	112	15448	2	0	5	117		
		T5LG	14739	1	0	2	112	15380	1	0	2	117	15380	1	0	2	117	15220	1	0	2	116	16021	1	0	2	122		
		T5W	13653	2	0	5	104	14247	2	0	5	108	14247	2	0	5	108	14099	2	0	5	107	14841	2	0	5	113		
		T5WW	12888	1	0	5	98	13448	1	0	5	102	13448	1	0	5	102	13308	1	0	5	101	14009	1	0	5	107		
		FN	15522	4	0	4	118	16197	4	0	4	123	16197	4	0	4	123	16028	4	0	4	122	16871	4	0	4	128		
		FM	15821	4	0	4	120	16509	4	0	4	126	16509	4	0	4	126	16337	4	0	4	124	17197	4	0	4	131		
		FW	14416	2	0	5	110	15042	2	0	5	114	15042	2	0	5	114	14886	2	0	5	113	15669	2	0	5	119		
		128LD	530 mA (202.8W)	T1	22315	1	0	4	110	23285	1	0	4	115	23285	1	0	4	115	23042	1	0	4	114	24255	1	0	4	120
				T2	20770	2	0	5	102	21673	2	0	5	107	21673	2	0	5	107	21448	2	0	5	106	22577	2	0	5	111
				T3R	22701	2	0	5	112	23688	2	0	5	117	23688	2	0	5	117	23442	2	0	5	116	24675	2	0	5	122
T3	23904			2	0	5	114	24213	2	0	5	119	24213	2	0	5	119	23961	2	0	5	118	25222	2	0	5	124		
T3W	23721			2	0	5	117	24753	2	0	5	122	24753	2	0	5	122	24495	2	0	5	121	25784	2	0	5	127		
T3LG	23119			2	0	3	114	24124	2	0	3	119	24124	2	0	3	119	23873	2	0	3	118	25129	2	0	3	124		
T4	22981			2	0	5	113	23981	2	0	5	118	23981	2	0	5	118	23731	2	0	5	117	24960	2	0	5	123		
T4A	24615			3	0	5	121	25685	3	0	5	127	25685	3	0	5	127	25418	3	0	5	125	26756	3	0	5	132		
T4LG	24678			2	0	4	122	25751	2	0	4	127	25751	2	0	4	127	25483	2	0	4	126	26824	2	0	4	132		
T4FT	21750			3	0	4	107	22696	3	0	4	112	22696	3	0	4	112	22460	3	0	4	111	23642	3	0	4	117		
T5	21011			2	0	5	104	21925	2	0	5	108	21925	2	0	5	108	21696	2	0	5	107	22838	2	0	5	113		
T5LG	21791			2	0	3	107	22738	2	0	3	112	22738	2	0	3	112	22501	2	0	3	111	23686	2	0	3	117		
T5W	20185			2	0	5	100	21063	2	0	5	104	21063	2	0	5	104	20843	2	0	5	103	21940	2	0	5	108		
T5WW	19054			2	0	5	94	19882	2	0	5	98	19882	2	0	5	98	19675	2	0	5	97	20710	2	0	5	102		
FN	22947			4	0	5	113	23945	4	0	5	118	23945	4	0	5	118	23695	4	0	5	117	24943	5	0	5	123		
FM	23389			4	0	5	115	24406	4	0	5	120	24406	4	0	5	120	24152	4	0	5	119	25423	5	0	5	125		
FW	21312			3	0	5	105	22236	3	0	5	110	22236	3	0	5	110	22007	3	0	5	109	23165	3	0	5	114		
128LD	700 mA (271.8W)			T1	28396	1	0	4	104	29631	2	0	4	109	29631	2	0	4	109	29322	2	0	4	108	30665	2	0	4	114
				T2	26431	2	0	5	97	27580	2	0	5	101	27580	2	0	5	101	27293	2	0	5	100	28729	3	0	5	106
				T3R	28888	2	0	5	106	30144	2	0	5	111	30144	2	0	5	111	29830	2	0	5	110	31400	2	0	5	116
		T3	29528	2	0	5	109	30812	2	0	5	113	30812	2	0	5	113	30491	2	0	5	112	32096	2	0	5	118		
		T3W	30186	3	0	5	111	31499	3	0	5	116	31499	3	0	5	116	31171	3	0	5	115	32811	3	0	5	121		
		T3LG	29420	2	0	4	108	30699	2	0	4	113	30699	2	0	4	113	30379	2	0	4	112	31978	2	0	4	118		
		T4	29245	2	0	5	108	30516	2	0	5	112	30516	2	0	5	112	30198	2	0	5	111	31788	2	0	5	117		
		T4A	31324	3	0	5	115	32686	3	0	5	120	32686	3	0	5	120	32345	3	0	5	119	34048	3	0	5	125		
		T4LG	31404	2	0	4	116	32770	2	0	4	121	32770	2	0	4	121	32428	2	0	4	119	34135	2	0	4	126		
		T4FT	27678	4	0	5	102	28882	4	0	5	106	28882	4	0	5	106	28581	4	0	5	105	30085	4	0	5	111		
		T5	26737	3	0	5	98	27900	3	0	5	103	27900	3	0	5	103	27609	3	0	5	102	29062	3	0	5	107		
		T5LG	27729	2	0	3	102	28935	2	0	3	106	28935	2	0	3	106	28634	2	0	3	105	30141	2	0	3	111		
		T5W	25686	3	0	5	95	26803	3	0	5	99	26803	3	0	5	99	26524	3	0	5	98	27920	3	0	5	103		
		T5WW	24246	2	0	5	89	25301	2	0	5	93	25301	2	0	5	93	25037	2	0	5	92	26355	2	0	5	97		
		FN	29201	5	0	5	107	30471	5	0	5	112	30471	5	0	5	112	30153	5	0	5	111	31740	5	0	5	117		
		FM	29764	5	0	5	110	31058	5	0	5	114	31058	5	0	5	114	30734	5	0	5	113	32352	5	0	5	119		
		FW	27120	3	0	5	100	28299	3	0	5	104	28299	3	0	5	104	28005	3	0	5	103	29478	3	0	5	108		
		128LD	1050 mA (419.2W)	T1	38267	2	0	5	91	39930	2	0	5	95	39930	2	0	5	95	39515	2	0	5	94	41594	2	0	5	99
				T2	35619	3	0	5	85	37167	3	0	5	89	37167	3	0	5	89	36780	3	0	5	88	38716	3	0	5	92
				T3R	38930	2	0	5	93	40623	3	0	5																

VLX-1-BHS LED SPECIFICATIONS / Forward Optics																													
Led Count	Current & Watts	Distribution Type	70CRI																										
			27K				30K				35K				40K				50K										
			Lumens	B	U	G	LPW	Lumens	B	U	G	LPW	Lumens	B	U	G	LPW	Lumens	B	U	G	LPW							
160LD	350 mA (164.3W)	T1	18738	1	0	3	114	19553	1	0	3	119	19553	1	0	3	119	19349	1	0	3	118	20368	1	0	4	124		
		T2	17442	2	0	5	106	18200	2	0	5	111	18200	2	0	5	111	18010	2	0	5	110	18958	2	0	5	115		
		T3R	19063	1	0	5	116	19892	2	0	5	121	19892	2	0	5	121	19685	2	0	5	120	20721	2	0	5	126		
		T3	19485	2	0	4	119	20332	2	0	5	124	20332	2	0	5	124	20121	2	0	5	122	21180	2	0	5	129		
		T3W	19920	2	0	5	121	20786	2	0	5	126	20786	2	0	5	126	20569	2	0	5	125	21652	2	0	5	132		
		T3LG	19414	2	0	3	118	20258	2	0	3	123	20258	2	0	3	123	20047	2	0	3	122	21102	2	0	3	128		
		T4	19298	2	0	4	117	20137	2	0	5	123	20137	2	0	5	123	19928	2	0	4	121	20976	2	0	5	128		
		T4A	20670	2	0	4	126	21569	2	0	4	131	21569	2	0	4	131	21344	2	0	4	130	22468	3	0	5	137		
		T4LG	20723	2	0	3	126	21624	2	0	3	132	21624	2	0	3	132	21399	2	0	3	130	22525	2	0	3	137		
		T4FT	18265	3	0	4	111	19059	3	0	4	116	19059	3	0	4	116	18860	3	0	4	115	19853	3	0	4	121		
		T5	17644	2	0	5	107	18411	2	0	5	112	18411	2	0	5	112	18219	2	0	5	111	19178	2	0	5	117		
		T5LG	18298	1	0	2	111	19094	1	0	2	116	19094	1	0	2	116	18895	1	0	2	115	19890	1	0	3	121		
		T5W	16950	2	0	5	103	17687	2	0	5	108	17687	2	0	5	108	17503	2	0	5	107	18424	2	0	5	112		
		T5WW	16000	2	0	5	97	16696	2	0	5	102	16696	2	0	5	102	16522	2	0	5	101	17391	2	0	5	106		
		FN	19270	4	0	5	117	20107	4	0	5	122	20107	4	0	5	122	19898	4	0	5	121	20945	4	0	5	127		
		FM	19641	4	0	5	120	20495	4	0	5	125	20495	4	0	5	125	20291	4	0	5	123	21349	4	0	5	130		
		FW	17896	3	0	5	109	18674	3	0	5	114	18674	3	0	5	114	18480	3	0	5	112	19453	3	0	5	118		
		160LD	530 mA (253.5W)	T1	27710	1	0	4	109	28915	1	0	4	114	28915	1	0	4	114	28613	1	0	4	113	30119	2	0	4	119
				T2	25792	2	0	5	102	26914	2	0	5	106	26914	2	0	5	106	26633	2	0	5	105	28035	2	0	5	111
				T3R	28190	2	0	5	111	29416	2	0	5	116	29416	2	0	5	116	29109	2	0	5	115	30641	2	0	5	121
T3	28814			2	0	5	114	30067	2	0	5	119	30067	2	0	5	119	29754	2	0	5	117	31320	2	0	5	124		
T3W	29457			3	0	5	116	30737	3	0	5	121	30737	3	0	5	121	30417	3	0	5	120	32018	3	0	5	126		
T3LG	28709			2	0	4	113	29957	2	0	4	118	29957	2	0	4	118	29645	2	0	4	117	31205	2	0	4	123		
T4	28538			2	0	5	113	29779	2	0	5	117	29779	2	0	5	117	29468	2	0	5	116	31019	2	0	5	122		
T4A	30567			3	0	5	121	31896	3	0	5	126	31896	3	0	5	126	31563	3	0	5	125	33225	3	0	5	131		
T4LG	30645			2	0	4	121	31978	2	0	4	126	31978	2	0	4	126	31645	2	0	4	125	33310	2	0	4	131		
T4FT	27009			3	0	5	107	28184	4	0	5	111	28184	4	0	5	111	27890	4	0	5	110	29358	4	0	5	116		
T5	26091			3	0	5	103	27226	3	0	5	107	27226	3	0	5	107	26942	3	0	5	106	28360	3	0	5	112		
T5LG	27059			2	0	3	107	28236	2	0	3	111	28236	2	0	3	111	27942	2	0	3	110	29412	2	0	3	116		
T5W	25065			2	0	5	99	26155	3	0	5	103	26155	3	0	5	103	25883	3	0	5	102	27245	3	0	5	107		
T5WW	23660			2	0	5	93	24689	2	0	5	97	24689	2	0	5	97	24432	2	0	5	96	25718	2	0	5	101		
FN	28495			5	0	5	112	29734	5	0	5	117	29734	5	0	5	117	29425	5	0	5	116	30973	5	0	5	122		
FM	29045			5	0	5	115	30307	5	0	5	120	30307	5	0	5	120	29992	5	0	5	118	31370	5	0	5	125		
FW	26465			3	0	5	104	27615	3	0	5	109	27615	3	0	5	109	27328	3	0	5	108	28766	3	0	5	113		
160LD	700 mA (339.7W)			T1	35262	2	0	5	104	36795	2	0	5	108	36795	2	0	5	108	36412	2	0	5	107	38328	2	0	5	113
				T2	32822	3	0	5	97	34249	3	0	5	101	34249	3	0	5	101	33892	3	0	5	100	35676	3	0	5	105
				T3R	35873	2	0	5	106	37433	2	0	5	110	37433	2	0	5	110	37043	2	0	5	109	38992	2	0	5	115
		T3	36667	2	0	5	108	38261	2	0	5	113	38261	2	0	5	113	37863	2	0	5	111	39856	3	0	5	117		
		T3W	37485	3	0	5	110	39115	3	0	5	115	39115	3	0	5	115	38707	3	0	5	114	40744	3	0	5	120		
		T3LG	36533	3	0	4	108	38121	3	0	4	112	38121	3	0	4	112	37724	3	0	4	111	39710	3	0	4	117		
		T4	36316	3	0	5	107	37894	3	0	5	112	37894	3	0	5	112	37500	3	0	5	110	39473	3	0	5	116		
		T4A	38897	3	0	5	114	40588	3	0	5	119	40588	3	0	5	119	40166	3	0	5	118	42280	3	0	5	124		
		T4LG	38997	3	0	5	115	40693	3	0	5	120	40693	3	0	5	120	40269	3	0	5	119	42388	3	0	5	125		
		T4FT	34370	4	0	5	101	35865	4	0	5	106	35865	4	0	5	106	35491	4	0	5	104	37359	4	0	5	110		
		T5	33202	3	0	5	98	34646	3	0	5	102	34646	3	0	5	102	34285	3	0	5	101	36089	3	0	5	106		
		T5LG	34434	2	0	4	101	35931	2	0	4	106	35931	2	0	4	106	35557	2	0	4	105	37428	2	0	4	110		
		T5W	31897	3	0	5	94	33283	3	0	5	98	33283	3	0	5	98	32937	3	0	5	97	34670	3	0	5	102		
		T5WW	30109	3	0	5	89	31418	3	0	5	92	31418	3	0	5	92	31090	3	0	5	92	32727	3	0	5	96		
		FN	36261	5	0	5	107	37838	5	0	5	111	37838	5	0	5	111	37444	5	0	5	110	39415	5	0	5	116		
		FM	36960	5	0	5	109	38567	5	0	5	114	38567	5	0	5	114	38165	5	0	5	112	40174	5	0	5	118		
		FW	33677	3	0	5	99	35142	3	0	5	103	35142	3	0	5	103	34775	3	0	5	102	36606	3	0	5	108		
		160LD	1050 mA (524.0W)	T1	47519	2	0	5	91	49585	2	0	5	95	49585	2	0	5	95	49068	2	0	5	94	51651	2	0	5	99
				T2	44231	3	0	5	84	46154	3	0	5	88	46154	3	0	5	88	45673	3	0	5	87	48077	3	0	5	92
				T3R	48342	3	0	5	92	50444	3	0	5	96	50444	3	0	5											

VLX-1-BHS LED SPECIFICATIONS / Forward Optics																													
Led Count	Current & Watts	Distribution Type	70CRI																										
			27K					30K					35K					40K					50K						
			Lumens	B	U	G	LPW	Lumens	B	U	G	LPW	Lumens	B	U	G	LPW	Lumens	B	U	G	LPW	Lumens	B	U	G	LPW		
192LD	350 mA (197.2W)	T1	22197	1	0	4	113	23162	1	0	4	117	23162	1	0	4	117	22921	1	0	4	116	24127	1	0	4	122		
		T2	20661	2	0	5	105	21559	2	0	5	109	21559	2	0	5	109	21335	2	0	5	108	22458	2	0	5	114		
		T3R	22582	2	0	5	115	23564	2	0	5	119	23564	2	0	5	119	23318	2	0	5	118	24545	2	0	5	124		
		T3	23082	2	0	5	117	24085	2	0	5	122	24085	2	0	5	122	23834	2	0	5	121	25089	2	0	5	127		
		T3W	23596	2	0	5	120	24622	2	0	5	125	24622	2	0	5	125	24366	2	0	5	124	25648	2	0	5	130		
		T3LG	22997	2	0	3	117	23997	2	0	3	122	23997	2	0	3	122	23747	2	0	3	120	24997	2	0	3	127		
		T4	22860	2	0	5	116	23854	2	0	5	121	23854	2	0	5	121	23606	2	0	5	120	24848	2	0	5	126		
		T4A	24486	3	0	5	124	25550	3	0	5	130	25550	3	0	5	130	25284	3	0	5	128	26615	3	0	5	135		
		T4LG	24548	2	0	4	124	25616	2	0	4	130	25616	2	0	4	130	25349	2	0	4	129	26683	2	0	4	135		
		T4FT	21636	3	0	4	110	22577	3	0	4	114	22577	3	0	4	114	22341	3	0	4	113	23517	3	0	4	119		
		T5	20900	2	0	5	106	21809	2	0	5	111	21809	2	0	5	111	21582	2	0	5	109	22718	2	0	5	115		
		T5LG	21676	2	0	3	110	22618	2	0	3	115	22618	2	0	3	115	22383	2	0	3	114	23561	2	0	3	119		
		T5W	20079	2	0	5	102	20952	2	0	5	106	20952	2	0	5	106	20733	2	0	5	105	21825	2	0	5	111		
		T5WW	18953	2	0	5	96	19777	2	0	5	100	19777	2	0	5	100	19571	2	0	5	99	20601	2	0	5	104		
		FN	22826	4	0	5	116	23819	4	0	5	121	23819	4	0	5	121	23571	4	0	5	120	24811	5	0	5	126		
		FM	23266	4	0	5	118	24278	4	0	5	123	24278	4	0	5	123	24025	4	0	5	122	25289	5	0	5	128		
		FW	21200	3	0	5	108	22121	3	0	5	112	22121	3	0	5	112	21891	3	0	5	111	23043	3	0	5	117		
		192LD	530 mA (304.1W)	T1	32824	2	0	5	108	34252	2	0	5	113	34252	2	0	5	113	33895	2	0	5	111	35679	2	0	5	117
				T2	30553	3	0	5	100	31881	3	0	5	105	31881	3	0	5	105	31549	3	0	5	104	33210	3	0	5	109
				T3R	33393	2	0	5	110	34845	2	0	5	115	34845	2	0	5	115	34482	2	0	5	113	36297	2	0	5	119
T3	34133			2	0	5	112	35617	2	0	5	117	35617	2	0	5	117	35246	2	0	5	116	37101	2	0	5	122		
T3W	34894			3	0	5	115	36411	3	0	5	120	36411	3	0	5	120	36032	3	0	5	118	37928	3	0	5	125		
T3LG	34008			2	0	4	112	35486	2	0	4	117	35486	2	0	4	117	35116	2	0	4	115	36965	2	0	4	122		
T4	33605			2	0	5	111	35275	2	0	5	116	35275	2	0	5	116	34906	2	0	5	115	36745	2	0	5	121		
T4A	36209			3	0	5	119	37783	3	0	5	124	37783	3	0	5	124	37389	3	0	5	123	39357	3	0	5	129		
T4LG	36302			2	0	4	119	37880	2	0	4	125	37880	2	0	4	125	37485	2	0	4	123	39458	2	0	4	130		
T4FT	31995			4	0	5	105	33386	4	0	5	110	33386	4	0	5	110	33038	4	0	5	109	34777	4	0	5	114		
T5	30907			3	0	5	102	32251	3	0	5	106	32251	3	0	5	106	31915	3	0	5	105	33595	3	0	5	110		
T5LG	32054			2	0	4	105	33447	2	0	4	110	33447	2	0	4	110	33099	2	0	4	109	34841	2	0	4	115		
T5W	29692			3	0	5	98	30983	3	0	5	102	30983	3	0	5	102	30660	3	0	5	101	32274	3	0	5	106		
T5WW	28027			2	0	5	92	29246	2	0	5	96	29246	2	0	5	96	28941	2	0	5	95	30465	2	0	5	100		
FN	33755			5	0	5	111	35223	5	0	5	116	35223	5	0	5	116	34856	5	0	5	115	36690	5	0	5	121		
FM	34405			5	0	5	113	35901	5	0	5	118	35901	5	0	5	118	35527	5	0	5	117	37397	5	0	5	123		
FW	31349			3	0	5	103	32712	3	0	5	108	32712	3	0	5	108	32372	3	0	5	106	34075	3	0	5	112		
192LD	700 mA (407.7W)			T1	41770	2	0	5	102	43586	2	0	5	107	43586	2	0	5	107	43132	2	0	5	106	45402	2	0	5	111
				T2	38880	3	0	5	95	40570	3	0	5	100	40570	3	0	5	100	40148	3	0	5	98	42261	3	0	5	104
				T3R	42494	3	0	5	104	44342	3	0	5	109	44342	3	0	5	109	43890	3	0	5	108	46189	3	0	5	113
		T3	43435	3	0	5	107	45324	3	0	5	111	45324	3	0	5	111	44852	3	0	5	110	47212	3	0	5	116		
		T3W	44404	3	0	5	109	46334	3	0	5	114	46334	3	0	5	114	45852	3	0	5	112	48265	3	0	5	118		
		T3LG	43276	3	0	4	106	45157	3	0	4	111	45157	3	0	4	111	44687	3	0	4	110	47039	3	0	4	115		
		T4	43019	3	0	5	106	44889	3	0	5	110	44889	3	0	5	110	44421	3	0	5	109	46759	3	0	5	115		
		T4A	46077	3	0	5	113	48080	3	0	5	118	48080	3	0	5	118	47579	3	0	5	117	50083	3	0	5	123		
		T4LG	46195	3	0	5	113	48204	3	0	5	118	48204	3	0	5	118	47702	3	0	5	117	50212	3	0	5	123		
		T4FT	40714	4	0	5	100	42484	4	0	5	104	42484	4	0	5	104	42042	4	0	5	103	44255	4	0	5	109		
		T5	39330	3	0	5	96	41040	3	0	5	101	41040	3	0	5	101	40613	3	0	5	100	42750	3	0	5	105		
		T5LG	40790	2	0	4	100	42563	2	0	4	104	42563	2	0	4	104	42120	2	0	4	103	44337	2	0	4	109		
		T5W	37784	3	0	5	93	39427	3	0	5	97	39427	3	0	5	97	39016	3	0	5	96	41069	3	0	5	101		
		T5WW	35666	3	0	5	87	37217	3	0	5	91	37217	3	0	5	91	36829	3	0	5	90	38767	3	0	5	95		
		FN	42955	5	0	5	105	44822	5	0	5	110	44822	5	0	5	110	44355	5	0	5	109	46690	5	0	5	115		
		FM	43782	5	0	5	107	45686	5	0	5	112	45686	5	0	5	112	45210	5	0	5	111	47589	5	0	5	117		
		FW	39893	3	0	5	98	41628	3	0	5	102	41628	3	0	5	102	41194	3	0	5	101	43362	3	0	5	106		
		192LD	1050 mA (628.8W)	T1	56290	2	0	5	90	58737	2	0	5	93	58737	2	0	5	93	58125	2	0	5	92	61185	2	0	5	97
				T2	52395	3	0	5	83	54673	3	0	5	87	54673	3	0	5	87	54103	3	0	5	86	56951	3	0	5	91
				T3R	57265	3	0	5	91	59755	3	0	5	9															

VLX-1-CLS LED SPECIFICATIONS / Forward Optics																													
Led Count	Current & Watts	Distribution Type	70CRI																										
			27K					30K					35K					40K					50K						
			Lumens	B	U	G	LPW	Lumens	B	U	G	LPW	Lumens	B	U	G	LPW	Lumens	B	U	G	LPW	Lumens	B	U	G	LPW		
96LD	350 mA (98.6W)	T1	11838	3	0	3	120	12353	3	0	3	125	12353	3	0	3	125	12224	3	0	3	124	12868	3	0	3	131		
		T2	12471	2	0	3	126	13014	2	0	4	132	13014	2	0	4	132	12878	2	0	4	131	13566	2	0	4	137		
		T3R	11824	2	0	3	120	12338	2	0	3	125	12338	2	0	3	125	12210	2	0	3	124	12853	2	0	3	130		
		T3	11916	1	0	3	121	12434	1	0	3	126	12434	1	0	3	126	12305	1	0	3	125	12952	1	0	3	131		
		T3W	12010	1	0	3	122	12532	1	0	3	127	12532	1	0	3	127	12402	1	0	3	126	13054	2	0	3	132		
		T3LG	12018	2	0	3	122	12541	2	0	3	127	12541	2	0	3	127	12410	2	0	3	126	13063	2	0	3	132		
		T4	10818	2	0	2	110	11289	2	0	3	114	11289	2	0	3	114	11171	2	0	3	113	11759	2	0	3	119		
		T4A	14007	2	0	3	142	14616	2	0	3	148	14616	2	0	3	148	14464	2	0	3	147	15225	2	0	3	154		
		T4LG	11469	2	0	3	116	11968	2	0	3	121	11968	2	0	3	121	11843	2	0	3	120	12467	2	0	3	126		
		T4FT	10612	2	0	3	108	11074	2	0	3	112	11074	2	0	3	112	10959	2	0	3	111	11535	2	0	3	117		
		T5	11801	2	0	2	120	12315	2	0	2	125	12315	2	0	2	125	12186	2	0	2	124	12828	2	0	2	130		
		T5LG	11840	2	0	2	120	12355	2	0	2	125	12355	2	0	2	125	12226	2	0	2	124	12869	2	0	2	131		
		T5W	10875	3	0	3	110	11348	3	0	3	115	11348	3	0	3	115	11230	3	0	3	114	11821	3	0	3	120		
		T5WW	10274	3	0	3	104	10721	3	0	3	109	10721	3	0	3	109	10609	3	0	3	108	11167	3	0	3	113		
		FN	13299	4	0	4	135	13877	4	0	4	141	13877	4	0	4	141	13733	4	0	4	139	14456	4	0	4	147		
		FM	13384	4	0	3	136	13966	4	0	3	142	13966	4	0	3	142	13820	4	0	3	140	14548	4	0	3	148		
		FW	13338	4	0	3	135	13918	4	0	3	141	13918	4	0	3	141	13773	4	0	3	140	14498	4	0	3	147		
		96LD	530 mA (152.1W)	T1	17506	3	0	3	115	18267	3	0	3	120	18267	3	0	3	120	18077	3	0	3	119	19026	3	0	3	125
				T2	18442	3	0	4	121	19244	3	0	4	127	19244	3	0	4	127	19044	3	0	4	125	20046	3	0	5	132
				T3R	17486	2	0	3	115	18246	2	0	3	120	18246	2	0	3	120	18056	2	0	3	119	19006	3	0	3	125
T3	17621			2	0	3	116	18387	2	0	3	121	18387	2	0	3	121	18196	2	0	3	120	19153	2	0	3	126		
T3W	17760			2	0	3	117	18532	2	0	3	122	18532	2	0	3	122	18339	2	0	3	121	19305	2	0	3	127		
T3LG	17772			3	0	3	117	18545	3	0	3	122	18545	3	0	3	122	18351	3	0	3	121	19317	3	0	3	127		
T4	15998			2	0	3	105	16693	2	0	3	110	16693	2	0	3	110	16519	2	0	3	109	17389	2	0	3	114		
T4A	20714			2	0	3	136	21614	2	0	3	142	21614	2	0	3	142	21389	2	0	3	141	22515	3	0	3	148		
T4LG	16961			3	0	3	112	17698	3	0	3	116	17698	3	0	3	116	17514	3	0	3	115	18436	3	0	3	121		
T4FT	15693			2	0	3	103	16376	2	0	3	108	16376	2	0	3	108	16205	2	0	3	107	17058	2	0	3	112		
T5	17452			3	0	3	115	18210	3	0	3	120	18210	3	0	3	120	18021	3	0	3	118	18969	3	0	3	125		
T5LG	17509			3	0	2	115	18270	3	0	3	120	18270	3	0	3	120	18080	3	0	2	119	19031	3	0	3	125		
T5W	16062			3	0	3	106	16782	3	0	3	110	16782	3	0	3	110	16607	3	0	3	109	17481	3	0	3	115		
T5WW	15193			3	0	3	100	15853	3	0	3	104	15853	3	0	3	104	15688	3	0	3	103	16514	3	0	3	109		
FN	19667			5	0	5	129	20522	5	0	5	135	20522	5	0	5	135	20308	5	0	5	134	21377	5	0	5	141		
FM	19792			5	0	4	130	20652	5	0	4	136	20652	5	0	4	136	20437	5	0	4	134	21513	5	0	4	141		
FW	19724			5	0	3	130	20582	5	0	3	135	20582	5	0	3	135	20368	5	0	3	134	21440	5	0	3	141		
96LD	700 mA (203.8W)			T1	22277	4	0	4	109	23246	4	0	4	114	23246	4	0	4	114	23004	4	0	4	113	24214	4	0	4	119
				T2	23468	3	0	5	115	24489	3	0	5	120	24489	3	0	5	120	24234	3	0	5	119	25509	3	0	5	125
				T3R	22251	3	0	3	109	23219	3	0	4	114	23219	3	0	4	114	22977	3	0	3	113	24186	3	0	4	119
		T3	22423	2	0	3	110	23398	2	0	3	115	23398	2	0	3	115	23155	2	0	3	114	24373	2	0	3	120		
		T3W	22601	2	0	4	111	23583	2	0	4	116	23583	2	0	4	116	23338	2	0	4	114	24566	2	0	4	121		
		T3LG	22615	3	0	4	111	23599	3	0	4	116	23599	3	0	4	116	23353	3	0	4	115	24582	3	0	4	121		
		T4	20358	3	0	3	100	21243	3	0	3	104	21243	3	0	3	104	21022	3	0	3	103	22128	3	0	3	109		
		T4A	26359	3	0	4	129	27505	3	0	4	135	27505	3	0	4	135	27218	3	0	4	134	28651	3	0	4	141		
		T4LG	21583	3	0	4	106	22522	3	0	4	110	22522	3	0	4	110	22287	3	0	4	109	23460	3	0	4	115		
		T4FT	19971	3	0	4	98	20839	3	0	4	102	20839	3	0	4	102	20622	3	0	4	101	21707	3	0	4	106		
		T5	22208	3	0	3	109	23173	3	0	3	114	23173	3	0	3	114	22932	3	0	3	112	24139	3	0	3	118		
		T5LG	22280	3	0	3	109	23249	3	0	3	114	23249	3	0	3	114	23007	3	0	3	113	24218	3	0	3	119		
		T5W	20465	3	0	3	100	21355	3	0	3	105	21355	3	0	3	105	21133	3	0	3	104	22245	3	0	3	109		
		T5WW	19333	3	0	3	95	20174	3	0	3	99	20174	3	0	3	99	19964	3	0	3	98	21014	3	0	3	103		
		FN	25026	5	0	5	123	26115	5	0	5	128	26115	5	0	5	128	25843	5	0	5	127	27203	5	0	5	133		
		FM	25186	5	0	5	124	26281	5	0	5	129	26281	5	0	5	129	26007	5	0	5	128	27376	5	0	5	134		
		FW	25100	4	0	4	123	26191	4	0	4	128	26191	4	0	4	128	25919	4	0	4	127	27283	4	0	4	134		
		96LD	1050 mA (314.4W)	T1	30021	4	0	4	95	31326	4	0	4	100	31326	4	0	4	100	31000	4	0	4	99	32631	4	0	4	104
				T2	31626	3	0	5	101	33001	3	0	5	105	33001	3	0	5	105	32658	3	0	5	104	34376	3	0	5	109
				T3R	29986	3	0	4	95	31289	3																		

VLX-1-CLS LED SPECIFICATIONS / Forward Optics																													
Lcd Count	Current & Watts	Distribution Type	70CRI																										
			27K					30K					35K					40K					50K						
			Lumens	B	U	G	LPW	Lumens	B	U	G	LPW	Lumens	B	U	G	LPW	Lumens	B	U	G	LPW	Lumens	B	U	G	LPW		
128LD	350 mA (131.5W)	T1	15593	3	0	3	119	16271	3	0	3	124	16271	3	0	3	124	16102	3	0	3	122	16949	3	0	3	129		
		T2	16427	3	0	4	125	17141	3	0	4	130	17141	3	0	4	130	16963	3	0	4	129	17855	3	0	4	136		
		T3R	15575	2	0	3	118	16252	2	0	3	124	16252	2	0	3	124	16083	2	0	3	122	16929	2	0	3	129		
		T3	15695	2	0	3	119	16378	2	0	3	125	16378	2	0	3	125	16207	2	0	3	123	17060	2	0	3	130		
		T3W	15819	2	0	3	120	16507	2	0	3	126	16507	2	0	3	126	16335	2	0	3	124	17195	2	0	3	131		
		T3LG	15830	2	0	3	120	16518	2	0	3	126	16518	2	0	3	126	16346	2	0	3	124	17206	2	0	3	131		
		T4	14250	2	0	3	108	14869	2	0	3	113	14869	2	0	3	113	14714	2	0	3	112	15489	2	0	3	118		
		T4A	18450	2	0	3	140	19252	2	0	3	146	19252	2	0	3	146	19052	2	0	3	145	20054	2	0	3	153		
		T4LG	15107	2	0	3	115	15764	2	0	3	120	15764	2	0	3	120	15600	2	0	3	119	16421	3	0	3	125		
		T4FT	13979	2	0	3	106	14586	2	0	3	111	14586	2	0	3	111	14434	2	0	3	110	15194	2	0	3	116		
		T5	15545	3	0	2	118	16220	3	0	2	123	16220	3	0	2	123	16051	3	0	2	122	16896	3	0	3	128		
		T5LG	15595	3	0	2	119	16273	3	0	2	124	16273	3	0	2	124	16104	3	0	2	122	16951	3	0	2	129		
		T5W	14325	3	0	3	109	14948	3	0	3	114	14948	3	0	3	114	14792	3	0	3	112	15570	3	0	3	118		
		T5WW	13532	3	0	3	103	14121	3	0	3	107	14121	3	0	3	107	13974	3	0	3	106	14709	3	0	3	112		
		FN	17517	4	0	4	133	18279	4	0	4	139	18279	4	0	4	139	18099	4	0	4	138	19041	5	0	4	145		
		FM	17629	4	0	4	134	18395	4	0	4	140	18395	4	0	4	140	18204	4	0	4	138	19162	5	0	4	146		
		FW	17569	3	0	3	134	18333	3	0	3	139	18333	3	0	3	139	18142	3	0	3	138	19097	3	0	3	145		
		128LD	530 mA (202.8W)	T1	23053	4	0	4	114	24055	4	0	4	119	24055	4	0	4	119	23804	4	0	4	117	25057	4	0	4	124
				T2	24285	3	0	5	120	25341	3	0	5	125	25341	3	0	5	125	25077	3	0	5	124	26397	3	0	5	130
				T3R	23026	3	0	4	114	24027	3	0	4	118	24027	3	0	4	118	23776	3	0	4	117	25028	3	0	4	123
T3	23904			2	0	3	114	24213	2	0	3	119	24213	2	0	3	119	23961	2	0	3	118	25222	2	0	4	124		
T3W	23387			2	0	4	115	24404	2	0	4	120	24404	2	0	4	120	24150	2	0	4	119	25421	2	0	4	125		
T3LG	23403			3	0	4	115	24420	3	0	4	120	24420	3	0	4	120	24166	3	0	4	119	25438	3	0	4	125		
T4	21066			3	0	3	104	21962	3	0	3	108	21962	3	0	3	108	21753	3	0	3	107	22896	3	0	3	113		
T4A	27276			3	0	4	135	28462	3	0	4	140	28462	3	0	4	140	28166	3	0	4	139	29648	3	0	4	146		
T4LG	22334			3	0	4	110	23306	3	0	4	115	23306	3	0	4	115	23063	3	0	4	114	24277	3	0	4	120		
T4FT	20666			3	0	4	102	21564	3	0	4	106	21564	3	0	4	106	21340	3	0	4	105	22463	3	0	4	111		
T5	22981			3	0	3	113	23980	3	0	3	118	23980	3	0	3	118	23730	3	0	3	117	24979	3	0	3	123		
T5LG	23056			3	0	3	114	24058	3	0	3	119	24058	3	0	3	119	23808	3	0	3	117	25061	3	0	3	124		
T5W	21178			3	0	3	104	22098	3	0	3	109	22098	3	0	3	109	21866	3	0	3	108	23019	3	0	4	114		
T5WW	20006			3	0	3	99	20876	3	0	3	103	20876	3	0	3	103	20659	3	0	3	102	21746	3	0	4	107		
FN	25989			5	0	5	128	27024	5	0	5	133	27024	5	0	5	133	26742	5	0	5	132	28150	5	0	5	139		
FM	26062			5	0	5	129	27196	5	0	5	134	27196	5	0	5	134	26912	5	0	5	133	28329	5	0	5	140		
FW	25974			4	0	4	128	27103	4	0	4	134	27103	4	0	4	134	26821	4	0	4	132	28232	4	0	4	139		
128LD	700 mA (271.8W)			T1	29335	4	0	4	108	30611	4	0	4	113	30611	4	0	4	113	30292	4	0	4	111	31886	4	0	4	117
				T2	30904	3	0	5	114	32248	3	0	5	119	32248	3	0	5	119	31912	3	0	5	117	33591	3	0	5	124
				T3R	29301	3	0	4	108	30675	3	0	4	112	30675	3	0	4	112	30256	3	0	4	111	31849	3	0	4	117
		T3	29528	2	0	4	109	30812	2	0	4	113	30812	2	0	4	113	30491	2	0	4	112	32096	2	0	4	118		
		T3W	29761	3	0	4	109	31055	3	0	4	114	31055	3	0	4	114	30732	3	0	4	113	32349	3	0	4	119		
		T3LG	29781	3	0	5	110	31075	3	0	5	114	31075	3	0	5	114	30752	3	0	5	113	32370	3	0	5	119		
		T4	26808	3	0	4	99	27973	3	0	4	103	27973	3	0	4	103	27682	3	0	4	102	29139	3	0	4	107		
		T4A	34710	3	0	5	128	36219	3	0	5	133	36219	3	0	5	133	35842	3	0	5	132	37728	3	0	5	139		
		T4LG	28421	3	0	5	105	29657	3	0	5	109	29657	3	0	5	109	29348	3	0	5	108	30893	3	0	5	114		
		T4FT	26298	3	0	4	97	27441	3	0	4	101	27441	3	0	4	101	27155	3	0	4	100	28585	3	0	4	105		
		T5	29244	4	0	3	108	30515	4	0	3	112	30515	4	0	3	112	30198	4	0	3	111	31787	4	0	3	117		
		T5LG	29339	4	0	3	108	30615	4	0	3	113	30615	4	0	3	113	30296	4	0	3	111	31891	4	0	3	117		
		T5W	26949	4	0	4	99	28121	4	0	4	103	28121	4	0	4	103	27828	4	0	4	102	29293	4	0	4	108		
		T5WW	25459	4	0	4	94	26566	4	0	4	98	26566	4	0	4	98	26289	4	0	4	97	27672	4	0	4	102		
		FN	32956	5	0	5	121	34388	5	0	5	127	34388	5	0	5	127	34030	5	0	5	125	35821	5	0	5	132		
		FM	33165	5	0	5	122	34607	5	0	5	127	34607	5	0	5	127	34247	5	0	5	126	36049	5	0	5	133		
		FW	33053	4	0	4	122	34490	4	0	4	127	34490	4	0	4	127	34130	4	0	4	126	35927	4	0	4	132		
		128LD	1050 mA (419.2W)	T1	39532	4	0	5	94	41251	5	0	5	98	41251	5	0	5	98	40822	5	0	5	97	42970	5	0	5	103
				T2	41646	4	0	5	99	43457	4	0	5	104	43457	4	0	5	104	43004	4	0	5	103	45266	4	0	5	108
				T3R	39486	3	0	5	94	41203	3																		

VLX-1-CLS LED SPECIFICATIONS / Forward Optics																													
Led Count	Current & Watts	Distribution Type	70CRI																										
			27K					30K					35K					40K					50K						
			Lumens	B	U	G	LPW	Lumens	B	U	G	LPW	Lumens	B	U	G	LPW	Lumens	B	U	G	LPW	Lumens	B	U	G	LPW		
160LD	350 mA (164.3W)	T1	19358	3	0	3	118	20200	4	0	4	123	20200	4	0	4	123	19989	3	0	3	122	21041	4	0	4	128		
		T2	20393	3	0	5	124	21280	3	0	5	129	21280	3	0	5	129	21058	3	0	5	128	22167	3	0	5	135		
		T3R	19335	3	0	3	118	20176	3	0	3	123	20176	3	0	3	123	19966	3	0	3	121	21017	3	0	3	128		
		T3	19485	2	0	3	119	20332	2	0	3	124	20332	2	0	3	124	20121	2	0	3	122	21180	2	0	3	129		
		T3W	19639	2	0	3	120	20493	2	0	3	125	20493	2	0	3	125	20280	2	0	3	123	21347	2	0	3	130		
		T3LG	19652	3	0	4	120	20506	3	0	4	125	20506	3	0	4	125	20293	3	0	4	123	21361	3	0	4	130		
		T4	17690	2	0	3	108	18459	3	0	3	112	18459	3	0	3	112	18267	3	0	3	111	19228	3	0	3	117		
		T4A	22905	3	0	4	139	23901	3	0	4	145	23901	3	0	4	145	23652	3	0	4	144	24897	3	0	4	152		
		T4LG	18755	3	0	3	114	19571	3	0	4	119	19571	3	0	4	119	19367	3	0	4	118	20386	3	0	4	124		
		T4FT	17354	2	0	3	106	18108	2	0	3	110	18108	2	0	3	110	17920	2	0	3	109	18863	3	0	3	115		
		T5	19298	3	0	3	117	20137	3	0	3	123	20137	3	0	3	123	19927	3	0	3	121	20976	3	0	3	128		
		T5LG	19361	3	0	3	118	20203	3	0	3	123	20203	3	0	3	123	19992	3	0	3	122	21044	3	0	3	128		
		T5W	17784	3	0	3	108	18557	3	0	3	113	18557	3	0	3	113	18364	3	0	3	112	19330	3	0	3	118		
		T5WW	16800	3	0	3	102	17530	3	0	3	107	17530	3	0	3	107	17348	3	0	3	106	18261	3	0	3	111		
		FN	21747	5	0	5	132	22693	5	0	5	138	22693	5	0	5	138	22456	5	0	5	137	23638	5	0	5	144		
		FM	21886	5	0	4	133	22837	5	0	4	139	22837	5	0	4	139	22599	5	0	4	138	23789	5	0	5	145		
		FW	21811	4	0	3	133	22760	4	0	3	138	22760	4	0	3	138	22522	4	0	3	137	23708	4	0	4	144		
		160LD	530 mA (253.5W)	T1	28626	4	0	4	113	29871	4	0	4	118	29871	4	0	4	118	29560	4	0	4	117	31116	4	0	4	123
				T2	30157	3	0	5	119	31468	3	0	5	124	31468	3	0	5	124	31141	3	0	5	123	32779	3	0	5	129
				T3R	28593	3	0	4	113	29836	3	0	4	118	29836	3	0	4	118	29525	3	0	4	116	31079	3	0	4	123
T3	28814			2	0	4	114	30067	2	0	4	119	30067	2	0	4	119	29754	2	0	4	117	31320	2	0	4	124		
T3W	29042			3	0	4	115	30305	3	0	4	120	30305	3	0	4	120	29989	3	0	4	118	31567	3	0	4	125		
T3LG	29061			3	0	4	115	30324	3	0	5	120	30324	3	0	5	120	30009	3	0	5	118	31588	3	0	5	125		
T4	26160			3	0	4	103	27297	3	0	4	108	27297	3	0	4	108	27013	3	0	4	107	28435	3	0	4	112		
T4A	33871			3	0	4	134	35344	3	0	5	139	35344	3	0	5	139	34976	3	0	5	138	36816	3	0	5	145		
T4LG	27735			3	0	4	109	28940	3	0	5	114	28940	3	0	5	114	28639	3	0	5	113	30146	3	0	5	119		
T4FT	25662			3	0	4	101	26778	3	0	4	106	26778	3	0	4	106	26499	3	0	4	105	27894	3	0	4	110		
T5	28537			3	0	3	113	29778	4	0	3	117	29778	4	0	3	117	29468	4	0	3	116	31019	4	0	3	122		
T5LG	28630			4	0	3	113	29875	4	0	3	118	29875	4	0	3	118	29564	4	0	3	117	31120	4	0	3	123		
T5W	26298			3	0	4	104	27441	4	0	4	108	27441	4	0	4	108	27156	4	0	4	107	28505	4	0	4	113		
T5WW	24843			4	0	4	98	25923	4	0	4	102	25923	4	0	4	102	25653	4	0	4	101	27004	4	0	4	107		
FN	32159			5	0	5	127	33557	5	0	5	132	33557	5	0	5	132	33208	5	0	5	131	34956	5	0	5	138		
FM	32364			5	0	5	128	33771	5	0	5	133	33771	5	0	5	133	33419	5	0	5	132	35178	5	0	5	139		
FW	32254			4	0	4	127	33656	4	0	4	133	33656	4	0	4	133	33306	4	0	4	131	35059	4	0	5	136		
160LD	700 mA (339.7W)			T1	36428	4	0	5	107	38012	4	0	5	112	38012	4	0	5	112	37616	4	0	5	111	39596	4	0	5	117
				T2	38376	3	0	5	113	40045	3	0	5	118	40045	3	0	5	118	39627	3	0	5	117	41713	4	0	5	123
				T3R	36385	3	0	5	107	37967	3	0	5	112	37967	3	0	5	112	37572	3	0	5	111	39549	3	0	5	116
		T3	36667	3	0	4	108	38261	3	0	5	113	38261	3	0	5	113	37863	3	0	5	111	39566	3	0	5	117		
		T3W	36957	3	0	5	109	38564	3	0	5	114	38564	3	0	5	114	38162	3	0	5	112	40170	3	0	5	118		
		T3LG	36981	3	0	5	109	38589	3	0	5	114	38589	3	0	5	114	38187	3	0	5	112	40197	3	0	5	118		
		T4	33289	3	0	4	98	34737	3	0	4	102	34737	3	0	4	102	34375	3	0	4	101	36184	3	0	4	107		
		T4A	43102	3	0	5	127	44976	3	0	5	132	44976	3	0	5	132	44508	3	0	5	131	46850	3	0	5	138		
		T4LG	35293	3	0	5	104	36828	3	0	5	108	36828	3	0	5	108	36444	3	0	5	107	38362	3	0	5	113		
		T4FT	32656	3	0	5	96	34076	3	0	5	100	34076	3	0	5	100	33721	3	0	5	99	35496	3	0	5	104		
		T5	36315	4	0	4	107	37894	4	0	4	112	37894	4	0	4	112	37499	4	0	4	110	39472	4	0	4	116		
		T5LG	36433	4	0	3	107	38017	4	0	3	112	38017	4	0	3	112	37621	4	0	3	111	39601	4	0	3	117		
		T5W	33465	4	0	4	99	34920	4	0	4	103	34920	4	0	4	103	34557	4	0	4	102	36375	4	0	4	107		
		T5WW	31614	4	0	4	93	32989	4	0	5	97	32989	4	0	5	97	32645	4	0	5	96	34363	4	0	5	101		
		FN	40924	5	0	5	120	42703	5	0	5	126	42703	5	0	5	126	42258	5	0	5	124	44482	5	0	5	131		
		FM	41184	5	0	5	121	42975	5	0	5	126	42975	5	0	5	126	42527	5	0	5	125	44765	5	0	5	132		
		FW	41044	4	0	5	121	42829	5	0	5	126	42829	5	0	5	126	42383	5	0	5	125	44613	5	0	5	131		
		160LD	1050 mA (524.0W)	T1	49091	5	0	5	94	51225	5	0	5	98	51225	5	0	5	98	50691	5	0	5	97	53359	5	0	5	102
				T2	51716	4	0	5	99	53964	4	0	5	103	53964	4	0	5	103	53402	4	0	5	102	56213	4	0	5	107
				T3R	49033	4	0	5	94	51165	4	0	5	98	51165	4	0	5	98	50632	4	0	5	97	53297	4	0	5	102
T3	49413			3	0	5	94	51561	3	0	5	98	51561	3	0	5	98	51024	3	0	5	97	53710	3	0	5	103		
T3W	49803			3	0	5	95	51969	3	0	5	99	51969	3	0	5	99	51427	3	0	5	98	54134	3	0	5	103		
T3LG	49836			4	0	5	95	52003	4	0	5	99	52003	4	0	5	99	51461	4	0	5	98	54169	4	0	5	103		
T4	44861			3	0	5	86	46811	4	0	5	89	46811	4	0	5	89	46324	4	0	5	88	48762	4	0	5	93		
T4A	58085			4	0	5	111	60610	4	0	5	116	60610	4	0	5	116	59979	4	0	5	114	63136	4	0	5	120		
T4LG	47561			4	0	5	91	49629	4	0	5	95	49629	4	0	5	95	49112	4	0	5	94	51697	4	0	5	99		
T4FT	44008			3	0	5	84	45921	3</																				

VLX-1-CLS LED SPECIFICATIONS / Forward Optics																													
Led Count	Current & Watts	Distribution Type	70CRI																										
			27K					30K					35K					40K					50K						
			Lumens	B	U	G	LPW	Lumens	B	U	G	LPW	Lumens	B	U	G	LPW	Lumens	B	U	G	LPW	Lumens	B	U	G	LPW		
192LD	350 mA (197.2W)	T1	22931	4	0	4	116	23928	4	0	4	121	23928	4	0	4	121	23679	4	0	4	120	24925	4	0	4	126		
		T2	24157	3	0	5	123	25208	3	0	5	128	25208	3	0	5	128	24945	3	0	5	126	26258	3	0	5	133		
		T3R	22904	3	0	3	116	23900	3	0	4	121	23900	3	0	4	121	23651	3	0	4	120	24896	3	0	4	126		
		T3	23082	2	0	3	117	24085	2	0	3	122	24085	2	0	3	122	23834	2	0	3	121	25089	2	0	3	127		
		T3W	23264	2	0	4	118	24276	2	0	4	123	24276	2	0	4	123	24023	2	0	4	122	25287	2	0	4	128		
		T3LG	23279	3	0	4	118	24291	3	0	4	123	24291	3	0	4	123	24038	3	0	4	122	25304	3	0	4	128		
		T4	20955	3	0	3	106	21866	3	0	3	111	21866	3	0	3	111	21639	3	0	3	110	22778	3	0	3	116		
		T4A	27133	3	0	4	138	28312	3	0	4	144	28312	3	0	4	144	28017	3	0	4	142	29492	3	0	4	150		
		T4LG	22217	3	0	4	113	23183	3	0	4	118	23183	3	0	4	118	22941	3	0	4	116	24149	3	0	4	122		
		T4FT	20557	3	0	4	104	21451	3	0	4	109	21451	3	0	4	109	21227	3	0	4	108	22344	3	0	4	113		
		T5	22860	3	0	3	116	23854	3	0	3	121	23854	3	0	3	121	23605	3	0	3	120	24848	3	0	3	126		
		T5LG	22934	3	0	3	116	23932	3	0	3	121	23932	3	0	3	121	23682	3	0	3	120	24929	3	0	3	126		
		T5W	21066	3	0	3	107	21982	3	0	3	111	21982	3	0	3	111	21753	3	0	3	110	22898	3	0	3	116		
		T5WW	19901	3	0	3	101	20766	3	0	3	105	20766	3	0	3	105	20550	3	0	3	104	21631	3	0	3	110		
		FN	25761	5	0	5	131	26881	5	0	5	136	26881	5	0	5	136	26601	5	0	5	135	28001	5	0	5	142		
		FM	25925	5	0	5	131	27052	5	0	5	137	27052	5	0	5	137	26771	5	0	5	136	28180	5	0	5	143		
		FW	25837	4	0	4	131	26960	4	0	4	137	26960	4	0	4	137	26680	4	0	4	135	28084	4	0	4	142		
		192LD	530 mA (304.1W)	T1	33910	4	0	5	111	35384	4	0	5	116	35384	4	0	5	116	35016	4	0	5	115	36659	4	0	5	121
				T2	35723	3	0	5	117	37277	3	0	5	123	37277	3	0	5	123	36888	3	0	5	121	38830	3	0	5	128
				T3R	33870	3	0	4	111	35343	3	0	4	116	35343	3	0	4	116	34975	3	0	4	115	36816	3	0	4	121
T3	34133			2	0	4	112	35617	2	0	4	117	35617	2	0	4	117	35246	2	0	4	116	37101	2	0	4	122		
T3W	34402			3	0	5	113	35898	3	0	5	118	35898	3	0	5	118	35524	3	0	5	117	37394	3	0	5	123		
T3LG	34425			3	0	5	113	35922	3	0	5	118	35922	3	0	5	118	35547	3	0	5	117	37418	3	0	5	123		
T4	30988			3	0	4	102	32336	3	0	4	106	32336	3	0	4	106	31999	3	0	4	105	33683	3	0	4	111		
T4A	40123			3	0	5	132	41867	3	0	5	138	41867	3	0	5	138	41431	3	0	5	136	43612	3	0	5	143		
T4LG	32854			3	0	5	108	34282	3	0	5	113	34282	3	0	5	113	33925	3	0	5	112	35711	3	0	5	117		
T4FT	30399			3	0	5	100	31721	3	0	5	104	31721	3	0	5	104	31390	3	0	5	103	33042	3	0	5	109		
T5	33805			4	0	4	111	35274	4	0	4	116	35274	4	0	4	116	34907	4	0	4	115	36744	4	0	4	121		
T5LG	33915			4	0	3	112	35389	4	0	3	116	35389	4	0	3	116	35021	4	0	3	115	36884	4	0	3	121		
T5W	31152			4	0	4	102	32506	4	0	4	107	32506	4	0	4	107	32168	4	0	4	106	33861	4	0	4	111		
T5WW	29429			4	0	4	97	30708	4	0	4	101	30708	4	0	4	101	30388	4	0	4	100	31988	4	0	4	105		
FN	38095			5	0	5	125	39751	5	0	5	131	39751	5	0	5	131	39337	5	0	5	129	41408	5	0	5	136		
FM	38338			5	0	5	128	40004	5	0	5	132	40004	5	0	5	132	39598	5	0	5	130	41671	5	0	5	137		
FW	38207			4	0	5	126	39868	4	0	5	131	39868	4	0	5	131	39453	4	0	5	130	41529	4	0	5	137		
192LD	700 mA (407.7W)			T1	43152	5	0	5	106	45028	5	0	5	110	45028	5	0	5	110	44559	5	0	5	109	46904	5	0	5	115
				T2	45459	4	0	5	112	47436	4	0	5	116	47436	4	0	5	116	46942	4	0	5	115	49412	4	0	5	121
				T3R	43101	3	0	5	106	44975	3	0	5	110	44975	3	0	5	110	44507	3	0	5	109	46849	3	0	5	115
		T3	43435	3	0	5	107	45324	3	0	5	111	45324	3	0	5	111	44852	3	0	5	110	47212	3	0	5	116		
		T3W	43778	3	0	5	107	45682	3	0	5	112	45682	3	0	5	112	45206	3	0	5	111	47585	3	0	5	117		
		T3LG	43807	3	0	5	107	45712	3	0	5	112	45712	3	0	5	112	45235	3	0	5	111	47616	3	0	5	117		
		T4	39434	3	0	5	97	41148	3	0	5	101	41148	3	0	5	101	40720	3	0	5	100	42863	3	0	5	105		
		T4A	51058	3	0	5	125	53278	3	0	5	131	53278	3	0	5	131	52723	3	0	5	129	55498	3	0	5	136		
		T4LG	41808	4	0	5	103	43625	4	0	5	107	43625	4	0	5	107	43171	4	0	5	106	45443	4	0	5	111		
		T4FT	38684	3	0	5	95	40366	3	0	5	99	40366	3	0	5	99	39945	3	0	5	98	42048	3	0	5	103		
		T5	43018	4	0	4	106	44888	4	0	4	110	44888	4	0	4	110	44420	4	0	4	109	46758	4	0	4	115		
		T5LG	43158	4	0	4	106	45034	4	0	4	110	45034	4	0	4	110	44565	4	0	4	109	46911	4	0	4	115		
		T5W	39642	4	0	5	97	41366	4	0	5	101	41366	4	0	5	101	40935	4	0	5	100	43089	4	0	5	106		
		T5WW	37449	4	0	5	92	39078	4	0	5	96	39078	4	0	5	96	38670	4	0	5	95	40706	4	0	5	100		
		FN	48477	5	0	5	119	50685	5	0	5	124	50685	5	0	5	124	50058	5	0	5	123	52693	5	0	5	129		
		FM	48786	5	0	5	120	50907	5	0	5	125	50907	5	0	5	125	50377	5	0	5	124	53028	5	0	5	130		
		FW	48620	5	0	5	119	50734	5	0	5	124	50734	5	0	5	124	50205	5	0	5	123	52848	5	0	5	130		
		192LD	1050 mA (628.8W)	T1	58152	5	0	5	92	60880	5	0	5	97	60880	5	0	5	97	60048	5	0	5	95	63208	5	0	5	101
				T2	61261	4	0	5	97	63925	4	0	5	102	63925	4	0	5	102	63259	4	0	5	101	66588	4	0	5	106
				T3R	58083	4	0	5	92	60609	4	0</																	