

# VMX-II LED Specifications



\*Universal Arm Mount (UAM) Version Shown.

Project Name:

Catalog Number:

Type:

The **VMX-II LED** Series offers clean, functional styling that is defined by its sleek low profile design and rugged construction. It combines the latest LED technology, advanced LED thermal management and provides outdoor lighting that is both energy efficient and aesthetically pleasing.

The LED's performance and the driver's life are maximized by enclosing them in two separate cast aluminum housings. Easy tool-less access for mounting and maintenance.

The LED light assemblies come with 48 to 96 LEDs. Eight optical distribution patterns are available. Choose between 3000, 4000 or 5000 Kelvin temperature of the LEDs.

A durable polyester powder coat finish is guaranteed for five years; and is available in standard or custom colors.

The **VMX-II LED** series is an exceptional choice for commercial parking lots, office complexes, architectural projects, and other general lighting projects.

## Ordering Information

MODEL	OPTICS	LEDs	CURRENT	KELVIN	VOLTAGE	MOUNTING	FINISH	OPTIONS	OPTIONS	OPTIONS
VMX-II	<b>T1</b> Type 1	<b>48LC</b>	<b>3</b> 350mA	<b>3K</b> 3000K	<b>UNV</b> 120-277V	<b>AM</b> Arm Mount	<b>BZ</b> Bronze	<b>PCR-120</b>	<b>WSC-8</b> Motion Sensor 8' Mounting Height	<b>UPMA-S</b> Universal Square Pole Mount Adaptor
	<b>T2</b> Type 2	<b>64LC</b>	<b>5</b> 530mA	<b>4K</b> 4000K	<b>8</b> 347V	<b>SAM</b> Straight Arm Mount W/ Terminal Block (New Construction)	<b>BK</b> Black	<b>PCR-208</b>		
	<b>T3</b> Type 3	<b>80LC</b>	<b>7</b> 700mA	<b>5K</b> 5000K	<b>5</b> 480V		<b>SBK</b> Smooth Black	<b>PCR-240</b>	<b>WSC-20</b> Motion Sensor 9-20' Mounting Height	<b>UPMA-R</b> Universal Round Pole Mount Adaptor
	<b>T4</b> Type 4	<b>96LC</b>	<b>10</b> 1050mA *Not available in 96LC			<b>UAM</b> Universal Arm W/ Terminal Block Mount (Retrofit)	<b>WH</b> White	<b>PCR-277</b>		
	<b>T4A</b> Type 4 Automotive					<b>MAF</b> Mast Arm Fitter	<b>SWH</b> Smooth White	<b>PCR-347</b>	<b>WSC-40</b> Motion Sensor 21-40' Mounting Height *The WSC option will require (1) FSIR 100 remote for programming	<b>BAWP</b> Cast Wall Plate
	<b>T5</b> Type 5					<b>KM</b> Knuckle Mount	<b>GP</b> Graphite	<b>PCR-480</b> Photocell & Receptacle		<b>ROT-R</b> Rotated Optics Right Side
	<b>T5W</b> Type 5 Wide					<b>WM</b> Wall Mount *Requires BAWP	<b>GY</b> Grey	<b>PER</b>	<b>5PINPER</b>	<b>ROT-L</b> Rotated Optics Left Side
	<b>T5WR</b> Type 5 Wide Round					<b>AWM</b> Adjustable Wall Mount	<b>SL</b> Silver Metallic	<b>7PINPER</b> 3, 5, or 7 Pin Photo Receptacle w/shorting cap Requires Dimming Driver	<b>DIM</b> 0-10v Dimming Driver	<b>CLC</b> Backside cutoff shield *Not to be used with KM
						*Round Pole Plate Adaptors (RPP) are to be ordered separately.	<b>CC</b> Custom Color	<b>RPP-3"</b>	<b>UMAP</b> Universal Mast arm fitter	<b>RCLC</b> Right side cutoff shield *Not to be used with KM
						*BAWP to be ordered separately		<b>RPP-4"</b>	<b>ECLS</b> Egg Crate Louver Shield	<b>RCLS</b> Right side cutoff shield *Not to be used with KM
							<b>RPP-5"</b> Round Pole Plate Adaptor	<b>ADJLS</b> Adjustable Louver Light Shield	<b>LCLS</b> Left side cutoff shield *Not to be used with KM	
							<b>VWC</b> Visionaire Wireless Controls *Consult Factory	<b>BD</b> Barn Door Shield	<b>HS</b> House shield	

# Features & Specifications

**VMX-II**

## Heatsink

Cast aluminum heatsink with integral cooling fins for thermal management.

## Mounting Arm/Driver Compartment

Durable two-piece die cast aluminum driver compartment utilizes stainless steel hardware and sealed with a one-piece silicone gasket.

## Thermal Management

- The VMX-II series provides excellent thermal management by mounting the LEDs to the substantial heat sink of the housing. This enables the Luminaire to withstand higher ambient temperatures and driver currents without degrading LED life.
- The L70 test determines the point in an LEDs life when it reaches 70 percent of its initial output. The VMX-II series LEDs have been determined to last 100,000+ hours in 25° C environments when driven at 350 mA.

## Optical System

- The highest lumen output, LEDs are utilized in the VMX-II series. IES distribution Types I, II, III, IV, IV-A, V, V-WR are available. The optical system qualifies as IES full cutoff to restrict light trespass, glare and light pollution.
- CRI values are 70.

## Quali-Guard® Finish

- The finish is a Quali-Guard® textured, chemically pretreated through a multiple-stage washer, electrostatically applied, thermoset polyester powder coat finish, with a minimum of 3-5 millimeter thickness. Finish is oven-baked at 400° F to promote maximum adherence and finish hardness. All finishes are available in standard and custom colors.
- Finish is guaranteed for five (5) years.

## Electrical Assembly

- The VMX-II LED series is supplied with a choice of 350, 530, 700 or 1050 mA high-performance LED drivers that accept 120v thru 480v, 50 Hz to 60 Hz, input. Power factor of 90%. Rated for -40°C operations.
- 10 kV surge protector supplied as standard.
- Terminal block supplied as standard on AM, SAM and UAM as standard

## Warranty

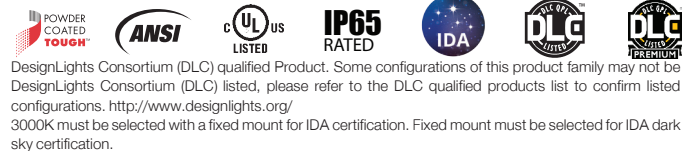
- Five (5) year Limited Warranty on entire system, including finish. For full warranty information, please visit [visionairelighting.com](http://visionairelighting.com).

## Options

- Photocell & Receptacle
- Photo Receptacle with Shorting Cap
- 0-10v Dimming Driver
- Motion Sensor
- Round pole plate adapter
- Universal Pole Mount Adaptor
- Cast Wall Plate
- Rotated Optics
- Cutoff Louver Shielding (CLS)
- Visionaire Wireless Controls
  - Enables high end trim
  - Based on Zigbee wireless communication protocol

## Listings

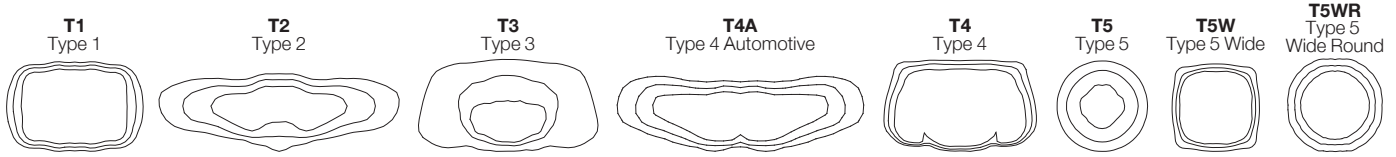
- The VMX-II Series is cUL Listed
- IP65 Rated Housing
- ANSI Certification
- Powder Coated Tough
- IDA Certification
- DLC Listed



VMX-II - ELECTRICAL LOAD (A)							
Ordering Nomenclature	System Watts	120	208	240	277	347	480
VMX-II-T5-48LC-3	52	0.43	0.25	0.22	0.19	0.15	0.11
VMX-II-T5-48LC-5	78	0.65	0.38	0.33	0.28	0.22	0.16
VMX-II-T5-48LC-7	106	0.88	0.51	0.44	0.38	0.31	0.22
VMX-II-T5-48LC-10	161	1.34	0.77	0.67	0.58	0.46	0.34
VMX-II-T5-64LC-3	70	0.58	0.34	0.29	0.25	0.20	0.15
VMX-II-T5-64LC-5	107	0.89	0.51	0.45	0.39	0.31	0.22
VMX-II-T5-64LC-7	142	1.18	0.68	0.59	0.51	0.41	0.30
VMX-II-T5-64LC-10	218	1.82	1.05	0.91	0.79	0.63	0.45
VMX-II-T5-80LC-3	87	0.73	0.42	0.36	0.31	0.25	0.18
VMX-II-T5-80LC-5	132	1.10	0.63	0.55	0.48	0.38	0.28
VMX-II-T5-80LC-7	177	1.48	0.85	0.74	0.64	0.51	0.37
VMX-II-T5-80LC-10	272	2.27	1.31	1.13	0.98	0.78	0.57
VMX-II-T5-96LC-3	104	0.87	0.50	0.43	0.38	0.30	0.22
VMX-II-T5-96LC-5	157	1.31	0.75	0.65	0.57	0.45	0.33
VMX-II-T5-96LC-7	212	1.77	1.02	0.88	0.77	0.61	0.44

# VMX-II LED Specifications

## Photometric Optical Summary



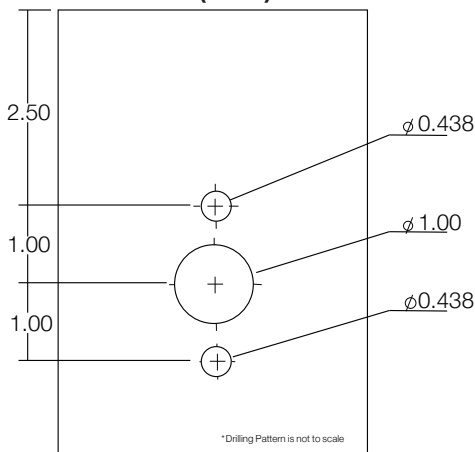
EPA Data						
	1.25	1.49	2.19	2.29	2.28	2.22

VMX-II-KM EPA DATA										
Degree of Tilt	0°	10°	20°	30	40°	50°	60°	70°	80°	90°
EPA	0.76	0.88	1.26	1.69	2.07	2.40	2.66	2.86	2.97	2.98

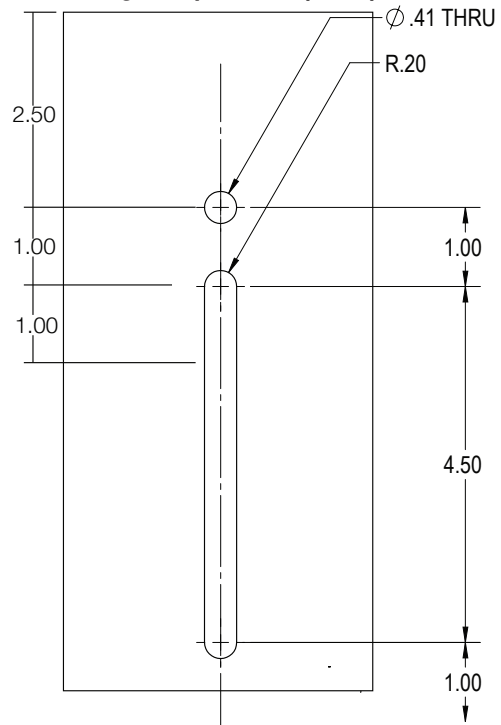
## Dimensions

<b>Width:</b>	VMX-II 15.5"
<b>Depth:</b>	VMX-II 29"
<b>Height:</b>	VMX-II 4.0"
<b>Overall Height:</b>	VMX-II 10.75"
<b>Weight:</b>	49 LBS

Drilling Template for (AM) and (SAM)



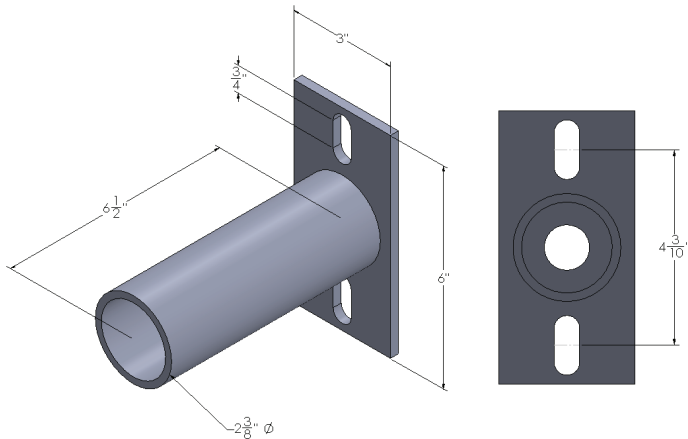
Drilling Template for (UAM)



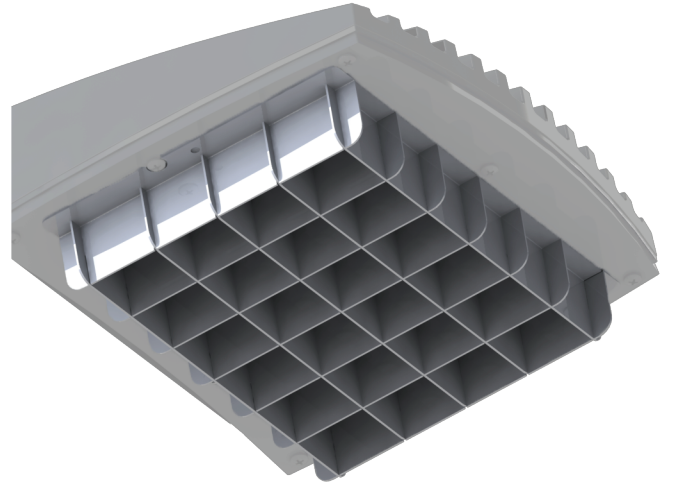
## VMX-II Options

## Universal Mast Arm Fitter

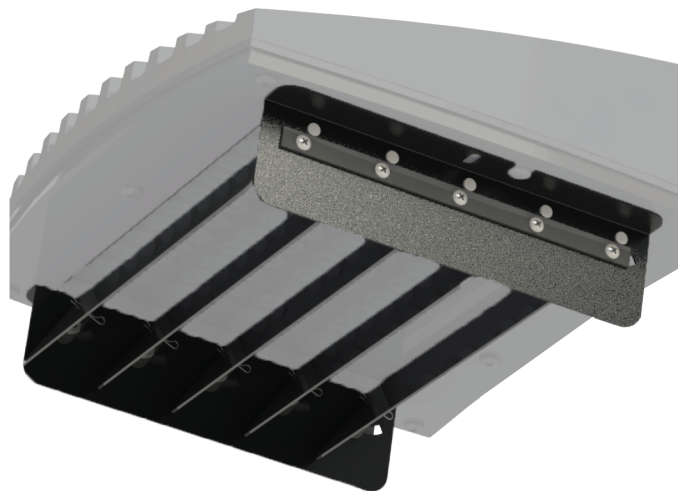
**UMAP – The Universal Mast Arm Fitter** is a simple solution for retrofit applications where a fixture needs to mount to an existing pole, the UMAP is meant to be use to with knuckle mounts and also Mast Arm Fitters. The UMAP has a bolt slot ranging from 7" all the way down to 3.5". The UMAP also has a Round Pole Plate Adaptor (RPP) for mounting to round poles.



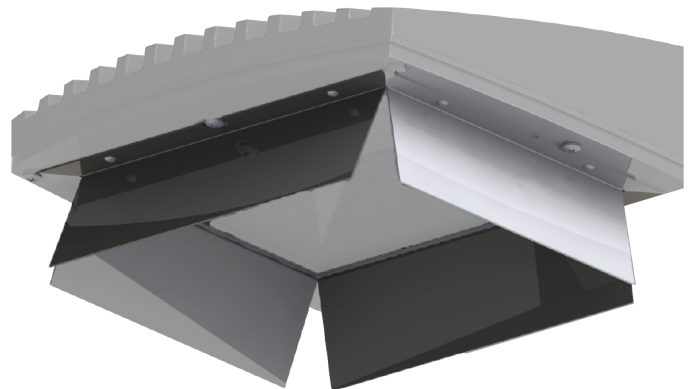
## Egg Crate Light Shield



## Adjustable Louver Light Shield



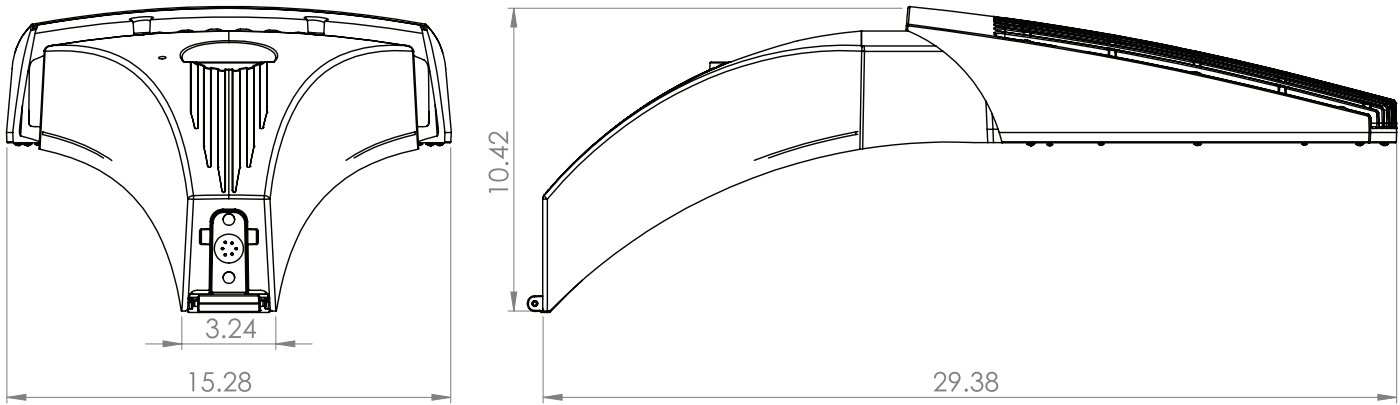
## Barn Door Light Shield



# VMX-II LED Specifications

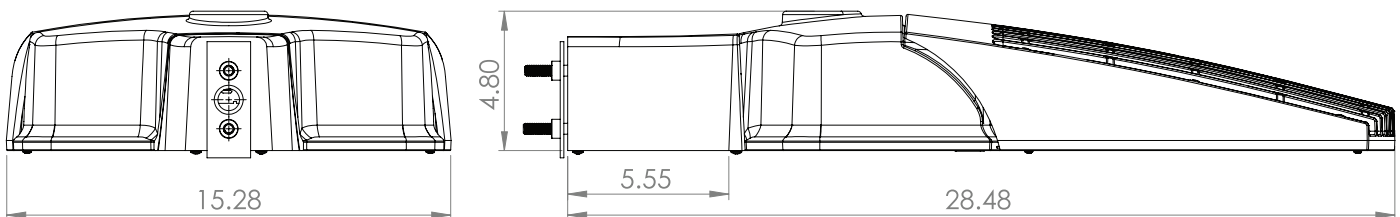
## Arm Mount (AM)

The Arm Mount (AM) utilizes a 2 piece cleat system for easy installation, a terminal block is supplied as standard. A Round Pole Plate Adapter (RPP) is required for mounting to round poles.



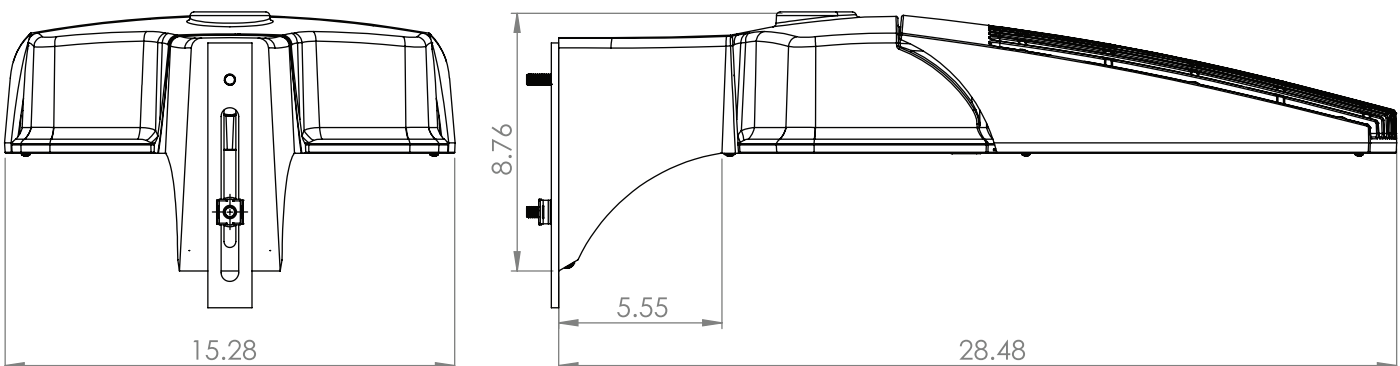
## Straight Arm Mount (SAM)

The Straight Arm Mount (SAM) uses a 2 piece mounting system, a terminal block is supplied as standard. A Round Pole Plate Adapter (RPP) is required for mounting to round poles.



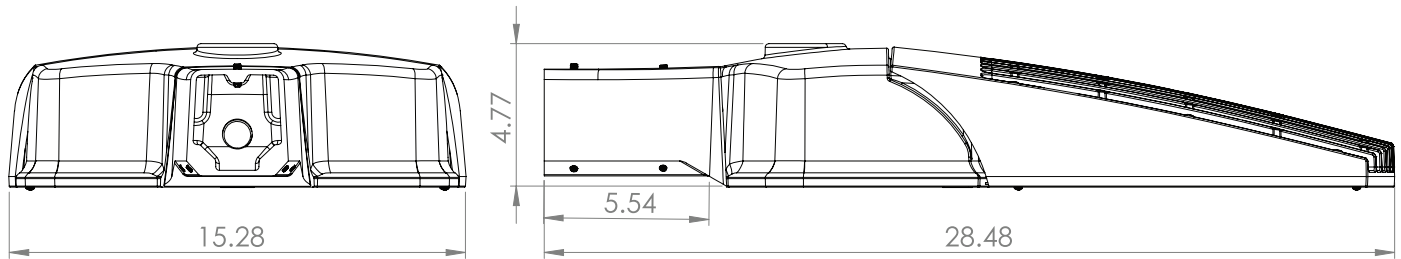
## Universal Arm Mount (UAM)

The Universal Arm Mount (UAM) is meant for retrofit Applications and has a drilling template ranging from 3" to 5.5". A Round Pole Plate Adapter (RPP) is required for mounting to round poles.



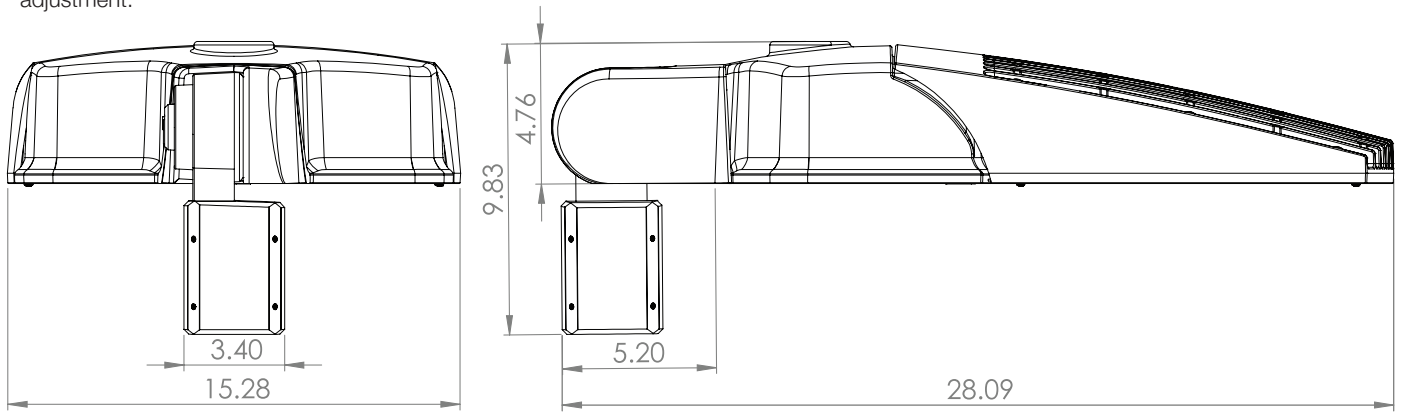
### Mast Arm Fitter (MAF)

Mast Arm Fitter fits over a 1 5/8" - 2 3/8" tenon.



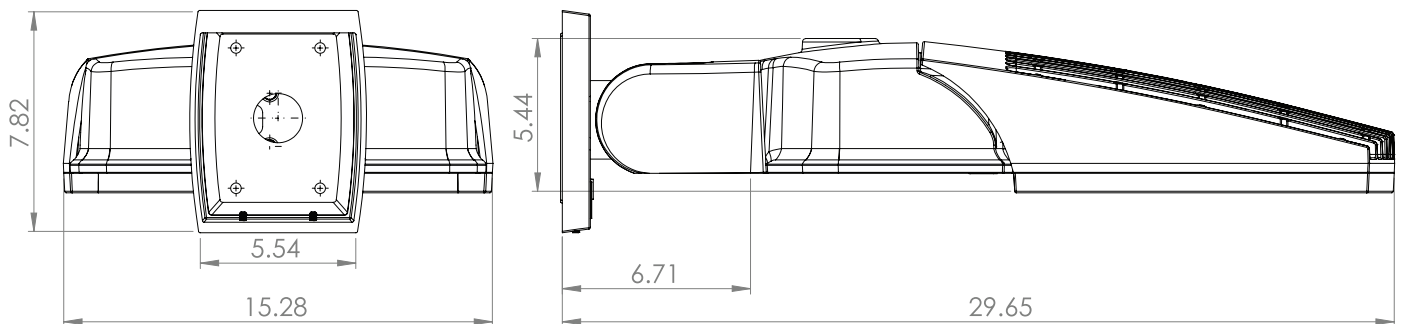
### Knuckle Mount (KM)

An adjustable knuckle slip fits over a 2 3/8" Tenon, and allows for up to 90° degrees of vertical adjustment in 10° degree increments from horizontal, as well as full side to side adjustment.



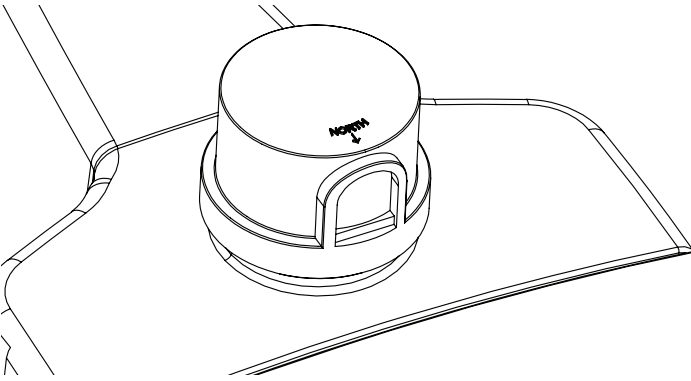
### Adjustable Wall Mount (AWM)

Wall Mount - Adjustable up to 50° in 10° increments

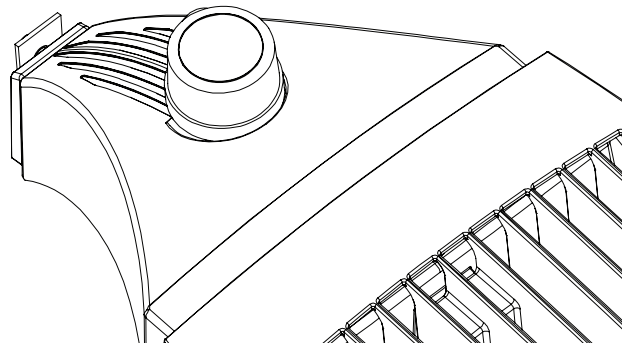


# VMX-II LED Specifications

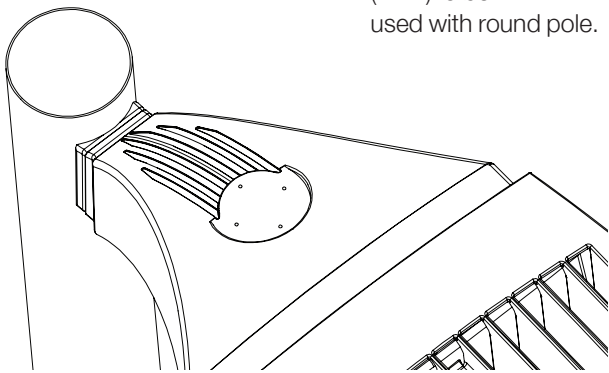
Twist lock Photocell & Receptacle - Dusk to dawn sensor.



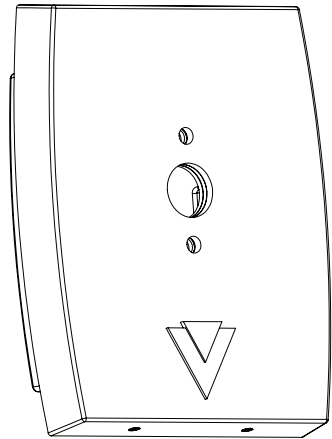
Photocell Receptacle and Shorting Cap



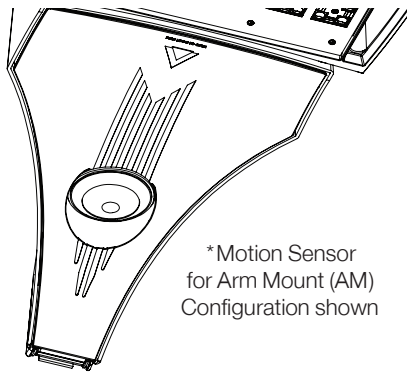
Round Pole Plate Adaptor (RPP) - Round Pole Plate Adaptor (RPP) to be used with round pole.



Cast Wall Plate - Arm Mount Wall Plate is needed to wall mount the VMX-II.

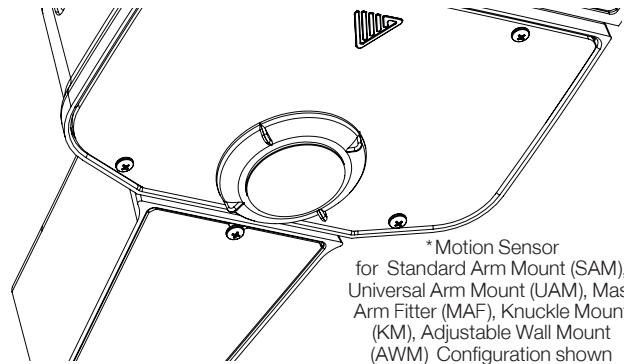


Motion Sensor -  
\*This option will require one FSIR 100 remote for programming.



\*Motion Sensor for Arm Mount (AM) Configuration shown

Motion Sensor (for SAM, UAM, MAF, KM, AWM) -  
\*This option will require one FSIR 100 remote for programming.



\*Motion Sensor for Standard Arm Mount (SAM), Universal Arm Mount (UAM), Mast Arm Fitter (MAF), Knuckle Mount (KM), Adjustable Wall Mount (AWM) Configuration shown

The FSP-211 by Legrand is integrated into the VMX housing and provides multi-level control based on motion and/or daylight contribution.

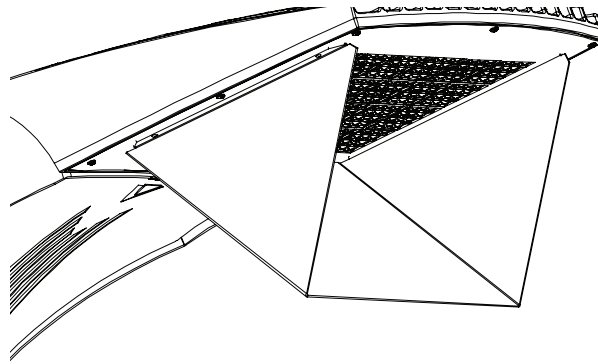
**Lens Coverage Patterns:**

WSC-8	360° lens, maximum coverage 48'; diameter from 8' height
WSC-20	360° lens, maximum coverage 48'; diameter from 20' height
WSC-40	360° lens, maximum coverage 100'; diameter from 40' height

**Motion Sensor Default Settings**

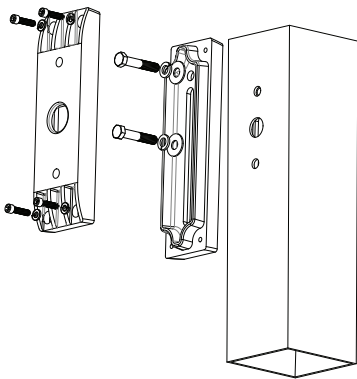
High Mode	0 Volts
Low Mode	1 Volts
Time Delay	5 Minutes
Cut Off	1 Hour
Sensitivity	Maximum
Hold Off Set Point	4ft
Candles	N/A
Ramp Up	None
Fade Down	None
Force Off Set Point With Occupied	Disable

House Shield - Provides solid back light cutoff



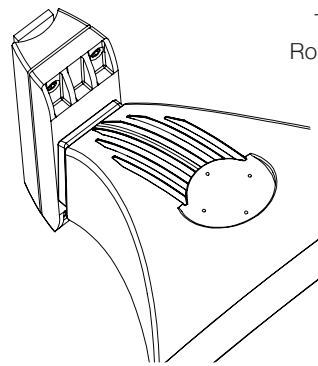
**UPMA**

The Universal Pole Mount Adaptor is ideal for retrofit applications with existing square poles. This adaptor is slotted to fit any existing drilling pattern, up to 6 1/2" bolt to bolt maximum.



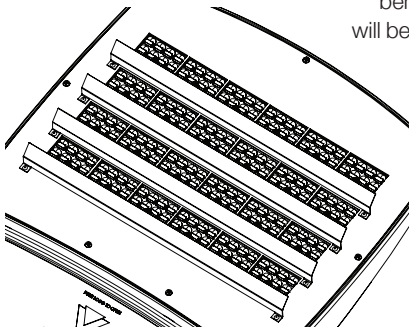
**UPMA-R**

The Universal Pole Mount Adaptor Round is ideal for retrofit applications with existing round poles. This adaptor is slotted to fit any existing drilling pattern, up to 6 1/2" bolt to bolt maximum.



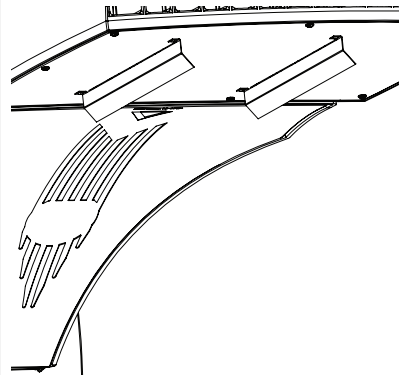
**CLS**

The Back Side Cutoff Louver Shield will reduce light output behind the fixture, all of the light will be focused in front of the VMX.  
\* Not to be used with KM



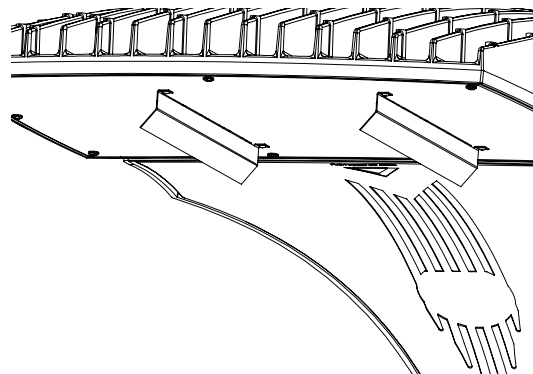
**LCLS**

The Left Side Cutoff Louver Shield will reduce light output on the left side of the fixture, all of the light be focused on the right side of the VMX.  
\* Not to be used with KM



**RCLS**

The Right Side Cutoff Louver Shield will reduce light output on the right side of the fixture, all of the light be focused on the left side of the VMX.  
\* Not to be used with KM





# VMX-II LED Specifications

VMX-II - 3K Lumen Data										
#LED's	mA	Type 1	Type 2	Type 3	Type 4	Type 4A	Type 5	Type 5W	Type 5WR	Watts
48	350	7311	6909	7243	6994	7321	7506	7333	7191	52
	530	9808	9269	9717	9383	9822	10070	9838	9648	78
	700	12786	12084	12668	12232	12805	13128	12826	12578	106
	1050	17509	16547	17347	16750	17534	17977	17563	17223	161
64	350	9309	8798	9223	8906	9323	9558	9338	9158	70
	530	13763	13007	13636	13167	13783	14131	13806	13539	107
	700	16888	15960	16732	16156	16912	17339	16940	16612	142
	1050	23222	21946	23007	22215	23255	23843	23293	22843	218
80	350	11512	10880	11406	11013	11529	11820	11547	11324	87
	530	16640	15726	16486	15918	16664	17084	16691	16368	132
	700	20813	19670	20621	19911	20844	21370	20878	20474	177
	1050	29027	27433	28759	27769	29069	29803	29117	28554	272
96	350	13714	12961	13588	13120	13734	14081	13757	13491	104
	530	19516	18444	19336	18670	19544	20038	19576	19198	157
	700	24739	23380	24511	23667	24775	25400	24815	24336	212
VMX-II - 4K Lumen Data										
#LED's	mA	Type 1	Type 2	Type 3	Type 4	Type 4A	Type 5	Type 5W	Type 5WR	Watts
48	350	7695	7273	7624	7362	7707	7901	7719	7627	52
	530	10324	9757	10229	9876	10339	10600	10356	10232	78
	700	13459	12720	13335	12876	13479	13819	13501	13340	106
	1050	18430	17418	18260	17631	18457	18923	18487	18267	161
64	350	9799	9261	9709	9375	9814	10061	9830	9713	70
	530	14487	13692	14354	13860	14509	14875	14532	14359	107
	700	17777	16800	17612	17006	17802	18252	17831	17619	142
	1050	24444	23101	24218	23385	24479	25097	24519	24227	218
80	350	12118	11452	12006	11593	12135	12442	12155	12010	87
	530	17515	16553	17354	16756	17541	17984	17569	17360	132
	700	21909	20705	21707	20959	21941	22495	21977	21715	177
	1050	30555	28876	30273	29231	30599	31372	30649	30284	272
96	350	14436	13643	14303	13811	14457	14822	14481	14308	104
	530	20543	19415	20354	19653	20573	21092	20607	20361	157
	700	26041	24611	25801	24912	26079	26737	26122	25810	212
VMX-II - 5K Lumen Data										
#LED's	mA	Type 1	Type 2	Type 3	Type 4	Type 4A	Type 5	Type 5W	Type 5WR	Watts
48	350	7384	6979	7316	7064	7395	7582	7407	7264	52
	530	9907	9362	9815	9477	9921	10172	9937	9745	78
	700	12915	12206	12796	12356	12934	13261	12955	12705	106
	1050	17685	16714	17522	16919	17711	18158	17740	17397	161
64	350	9403	8887	9317	8996	9417	9655	9433	9250	70
	530	13902	13138	13774	13300	13922	14274	13945	13675	107
	700	17058	16121	16901	16319	17083	17514	17111	16780	142
	1050	23456	22168	23240	22440	23490	24083	23529	23074	218
80	350	11628	10989	11521	11124	11645	11939	11664	11439	87
	530	16808	15884	16653	16079	16832	17257	16860	16534	132
	700	21024	19869	20830	20112	21054	21586	21089	20681	177
	1050	29320	27710	29050	28050	29363	30104	29411	28842	272
96	350	13853	13092	13725	13253	13873	14223	13896	13627	104
	530	19713	18630	19531	18859	19742	20240	19774	19392	157
	700	24989	23616	24758	23906	25025	25657	25066	24581	212

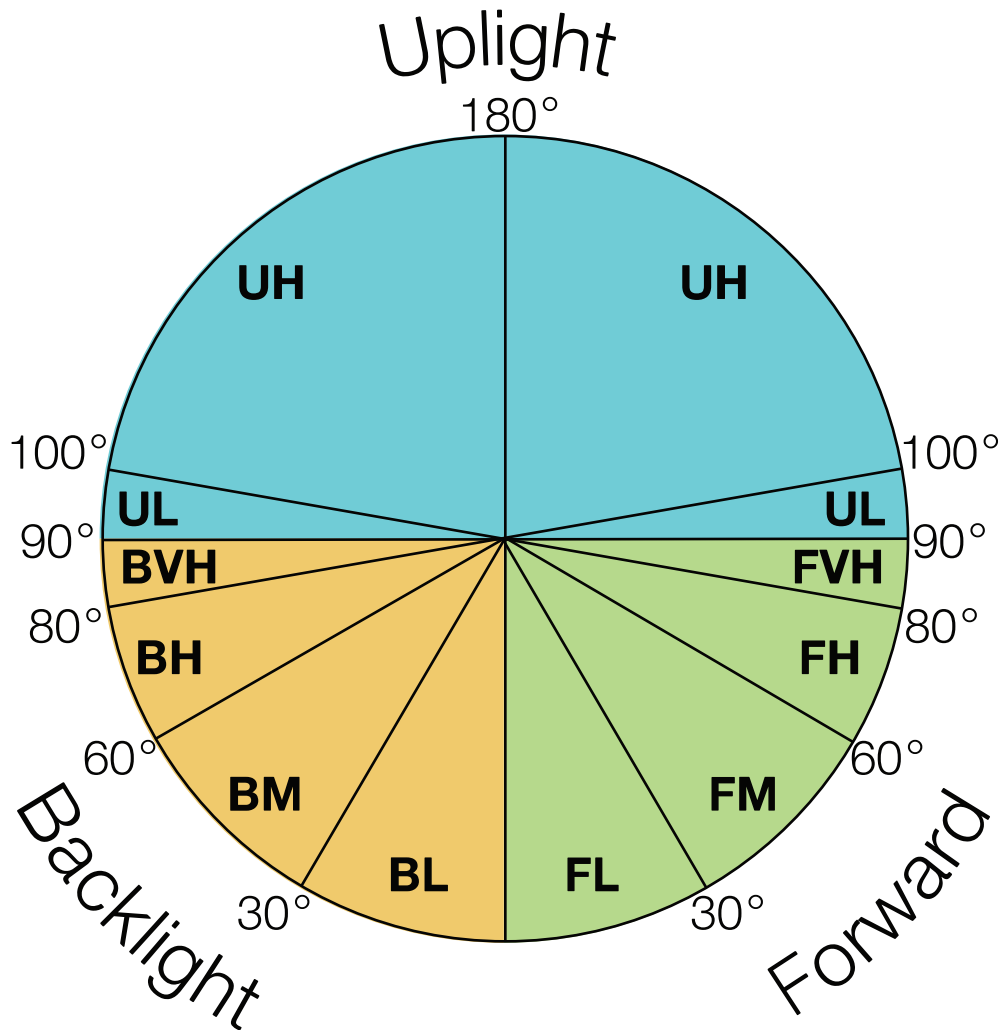
VMX-II - 3K Lumen Per Watt Data									
#LED's	mA	Type 1	Type 2	Type 3	Type 4	Type 4A	Type 5	Type 5W	Type 5WR
48	350	141	133	139	134	141	144	141	138
	530	125	118	124	120	125	129	126	123
	700	121	114	120	115	121	124	121	119
	1050	109	103	108	104	109	112	109	107
64	350	133	126	132	127	133	137	133	131
	530	129	122	127	123	129	132	129	127
	700	119	112	118	114	119	122	119	117
	1050	107	101	106	102	107	109	107	105
80	350	133	125	131	127	133	136	133	130
	530	126	119	125	121	126	130	127	124
	700	118	111	117	112	118	121	118	116
	1050	107	101	106	102	107	110	107	105
96	350	132	125	131	127	132	136	133	130
	530	125	118	123	119	125	128	125	123
	700	117	110	116	112	117	120	117	115
VMX-II - 4K Lumen Per Watt Data									
#LED's	mA	Type 1	Type 2	Type 3	Type 4	Type 4A	Type 5	Type 5W	Type 5WR
48	350	148	140	147	142	148	152	148	147
	530	132	125	131	126	132	135	132	131
	700	127	120	126	121	127	130	127	126
	1050	114	108	113	110	115	118	115	113
64	350	140	132	139	134	140	144	140	139
	530	135	128	134	130	136	139	136	134
	700	125	118	124	120	125	129	126	124
	1050	112	106	111	107	112	115	112	111
80	350	140	132	138	133	140	143	140	138
	530	133	126	132	127	133	136	133	132
	700	124	117	123	118	124	127	124	123
	1050	112	106	111	108	113	115	113	111
96	350	139	132	138	133	139	143	140	138
	530	131	124	130	125	131	135	132	130
	700	123	116	122	118	123	126	123	122
VMX-II - 5K Lumen Per Watt Data									
#LED's	mA	Type 1	Type 2	Type 3	Type 4	Type 4A	Type 5	Type 5W	Type 5WR
48	350	142	134	141	136	142	146	142	140
	530	127	120	125	121	127	130	127	124
	700	122	115	121	117	122	125	122	120
	1050	110	104	109	105	110	113	110	108
64	350	134	127	133	129	135	138	135	132
	530	130	123	129	124	130	133	130	128
	700	120	114	119	115	120	123	121	118
	1050	108	102	107	103	108	110	108	106
80	350	134	127	133	128	134	137	134	132
	530	128	121	126	122	128	131	128	125
	700	119	112	118	114	119	122	119	117
	1050	108	102	107	103	108	111	108	106
96	350	134	126	132	128	134	137	134	131
	530	126	119	125	120	126	129	126	124
	700	118	111	117	113	118	121	118	116

# VMX-II LED Specifications

VMX-II - 3K BUG Data																									
LED's	mA	Type 1			Type 2			Type 3			Type 4			Type 4A			Type 5			Type 5W			Type T5WR		
		B	U	G	B	U	G	B	U	G	B	U	G	B	U	G	B	U	G	B	U	G	B	U	G
48	350	2	0	2	2	0	2	1	0	2	2	0	2	1	0	1	3	0	1	3	0	2	3	0	2
	530	3	0	3	2	0	3	1	0	2	2	0	2	2	0	1	3	0	2	3	0	2	4	0	2
	700	3	0	3	3	0	3	2	0	2	2	0	3	2	0	2	3	0	2	4	0	2	4	0	2
	1050	4	0	3	3	0	3	2	0	3	3	0	3	3	0	2	4	0	2	4	0	2	4	0	2
64	350	3	0	3	2	0	3	1	0	2	2	0	2	2	0	1	3	0	2	3	0	2	4	0	2
	530	3	0	3	3	0	3	2	0	2	2	0	3	2	0	2	4	0	2	4	0	2	4	0	2
	700	4	0	3	3	0	3	2	0	3	3	0	3	3	0	2	4	0	2	4	0	2	4	0	2
	1050	4	0	4	3	0	4	3	0	3	3	0	3	3	0	2	4	0	2	5	0	3	5	0	3
80	350	3	0	3	2	0	3	2	0	2	2	0	2	2	0	1	3	0	2	4	0	2	4	0	2
	530	4	0	3	3	0	3	2	0	3	3	0	3	3	0	2	4	0	2	4	0	2	4	0	2
	700	4	0	4	3	0	4	3	0	3	3	0	3	3	0	2	4	0	2	5	0	3	5	0	3
	1050	5	0	4	3	0	4	3	0	4	3	0	4	3	0	3	5	0	3	5	0	3	5	0	4
96	350	3	0	3	3	0	3	2	0	2	2	0	3	2	0	2	4	0	2	4	0	2	4	0	2
	530	4	0	4	3	0	3	2	0	3	3	0	3	3	0	2	4	0	2	4	0	2	5	0	3
	700	4	0	4	3	0	4	3	0	4	3	0	4	3	0	2	4	0	2	5	0	3	5	0	3
VMX-II - 4K BUG Data																									
LED's	mA	Type 1			Type 2			Type 3			Type 4			Type 4A			Type 5			Type 5W			Type T5WR		
		B	U	G	B	U	G	B	U	G	B	U	G	B	U	G	B	U	G	B	U	G	B	U	G
48	350	3	0	3	2	0	2	1	0	2	2	0	2	1	0	1	3	0	1	3	0	2	3	0	2
	530	3	0	3	2	0	3	2	0	2	2	0	2	2	0	1	3	0	2	4	0	2	4	0	2
	700	3	0	3	3	0	3	2	0	2	2	0	3	2	0	2	4	0	2	4	0	2	4	0	2
	1050	4	0	3	3	0	3	2	0	3	3	0	3	3	0	2	4	0	2	4	0	2	5	0	3
64	350	3	0	3	2	0	3	1	0	2	2	0	2	2	0	1	3	0	2	3	0	2	4	0	2
	530	3	0	3	3	0	3	2	0	2	3	0	3	2	0	2	4	0	2	4	0	2	4	0	2
	700	4	0	3	3	0	3	2	0	3	3	0	3	3	0	2	4	0	2	4	0	2	4	0	2
	1050	4	0	4	3	0	4	3	0	4	3	0	4	3	0	2	4	0	2	5	0	3	5	0	3
80	350	3	0	3	2	0	3	2	0	2	2	0	2	2	0	1	3	0	2	4	0	2	4	0	2
	530	4	0	3	3	0	3	2	0	3	3	0	3	3	0	2	4	0	2	4	0	2	4	0	2
	700	4	0	4	3	0	4	3	0	3	3	0	3	3	0	2	4	0	2	5	0	3	5	0	3
	1050	5	0	4	3	0	5	3	0	4	3	0	4	3	0	3	5	0	3	5	0	4	5	0	4
96	350	3	0	3	3	0	3	2	0	2	2	0	3	2	0	2	4	0	2	4	0	2	4	0	2
	530	4	0	4	3	0	4	3	0	3	3	0	3	3	0	2	4	0	2	5	0	3	5	0	3
	700	4	0	4	3	0	4	3	0	4	3	0	4	3	0	3	5	0	3	5	0	3	5	0	3
VMX-II - 5K BUG Data																									
LED's	mA	Type 1			Type 2			Type 3			Type 4			Type 4A			Type 5			Type 5W			Type T5WR		
		B	U	G	B	U	G	B	U	G	B	U	G	B	U	G	B	U	G	B	U	G	B	U	G
48	350	2	0	2	2	0	2	1	0	2	2	0	2	1	0	1	3	0	1	3	0	2	3	0	2
	530	3	0	3	2	0	3	2	0	2	2	0	2	2	0	1	3	0	2	3	0	2	4	0	2
	700	3	0	3	3	0	3	2	0	2	2	0	3	2	0	2	4	0	2	4	0	2	4	0	2
	1050	4	0	3	3	0	3	2	0	3	3	0	3	3	0	2	4	0	2	4	0	2	4	0	2
64	350	3	0	3	2	0	3	1	0	2	2	0	2	2	0	1	3	0	2	3	0	2	4	0	2
	530	3	0	3	3	0	3	2	0	2	2	0	3	2	0	2	4	0	2	4	0	2	4	0	2
	700	4	0	3	3	0	3	2	0	3	3	0	3	3	0	2	4	0	2	4	0	2	4	0	2
	1050	4	0	4	3	0	4	3	0	3	3	0	3	3	0	2	4	0	2	5	0	3	5	0	3
80	350	3	0	3	2	0	3	2	0	2	2	0	2	2	0	1	3	0	2	4	0	2	4	0	2
	530	4	0	3	3	0	3	2	0	3	3	0	3	3	0	2	4	0	2	4	0	2	4	0	2
	700	4	0	4	3	0	4	3	0	3	3	0	3	3	0	2	4	0	2	5	0	3	5	0	3
	1050	5	0	4	3	0	4	3	0	4	3	0	4	3	0	3	5	0	3	5	0	4	5	0	4
96	350	3	0	3	3	0	3	2	0	2	2	0	3	2	0	2	4	0	2	4	0	2	4	0	2
	530	4	0	4	3	0	3	3	0	3	3	0	3	3	0	2	4	0	2	4	0	3	5	0	3
	700	4	0	4	3	0	4	3	0	4	3	0	4	3	0	2	4	0	2	5	0	3	5	0	3

## Bug Rating -

The subzones are individually rated on a scale from 0 to 5, going from lowest to highest luminous flux. The highest rating of a subzone is considered the overall rating for that zone, and these readings are compiled into the BUG lighting classification: for example, B3 U1 G0. The tables below, which are based on the standards established by the IES, show the thresholds for each subzone.



# VMX-II LED Specifications

VMX-II Cutoff Louver Shield - 3K Lumen Data *Not to be used with KM										
# of LEDs	Current (mA)	Type 1	Type 2	Type 3	Type 4	Type 4A	Type 5	Type 5W	Type 5WR	Watts
48	350	4839	4388	4668	4666	5514	4472	3980	3932	52
	530	6491	5886	6262	6260	7398	6000	5339	5275	78
	700	8463	7674	8164	8162	9645	7822	6961	6878	106
	1050	11589	10508	11180	11176	13207	10710	9531	9418	160
64	350	6162	5587	5944	5942	7022	5695	5068	5007	73
	530	9109	8260	8788	8785	10382	8419	7492	7403	106
	700	11178	10135	10783	10779	12739	10331	9193	9084	140
	1050	15370	13937	14828	14822	17516	14205	12641	12491	218
80	350	7619	6909	7351	7348	8684	7042	6267	6192	88
	530	11013	9987	10625	10621	12551	10179	9058	8950	131
	700	13776	12492	13290	13285	15700	12732	11330	11195	176
	1050	19212	17421	18535	18528	21895	17757	15801	15613	274
96	350	9077	8231	8757	8754	10345	8389	7466	7377	104
	530	12917	11713	12462	12457	14721	11939	10624	10497	157
	700	16374	14848	15797	15791	18661	15134	13467	13307	212
VMX-II Cutoff Louver Shield - 4K Lumen Data *Not to be used with KM										
# of LEDs	Current (mA)	Type 1	Type 2	Type 3	Type 4	Type 4A	Type 5	Type 5W	Type 5WR	Watts
48	350	5093	4619	4914	4912	5805	4707	4189	4139	52
	530	6833	6196	6592	6590	7787	6315	5620	5553	78
	700	8908	8078	8594	8591	10152	8233	7327	7240	106
	1050	12198	11061	11768	11764	13902	11274	10033	9913	160
64	350	6486	5881	6257	6255	7392	5995	5334	5271	73
	530	9589	8695	9251	9247	10928	8862	7887	7793	106
	700	11766	10669	11351	11347	13409	10874	9677	9562	140
	1050	16179	14670	15608	15602	18438	14953	13307	13148	218
80	350	8020	7273	7738	7735	9141	7413	6597	6518	88
	530	11593	10512	11184	11180	13212	10715	9535	9421	131
	700	14501	13149	13989	13984	16526	13402	11927	11784	176
	1050	20224	18338	19510	19503	23048	18691	16633	16435	274
96	350	9555	8664	9218	9215	10889	8831	7859	7765	104
	530	13597	12329	13117	13113	15496	12567	11183	11050	157
	700	17236	15629	16628	16622	19643	15930	14176	14007	212
VMX-II Cutoff Louver Shield - 5K Lumen Data *Not to be used with KM										
# of LEDs	Current (mA)	Type 1	Type 2	Type 3	Type 4	Type 4A	Type 5	Type 5W	Type 5WR	Watts
48	350	5197	4713	5014	5012	5923	4804	4275	4224	52
	530	6973	6322	6727	6724	7946	6444	5735	5666	78
	700	9090	8243	8770	8766	10360	8401	7476	7387	106
	1050	12447	11287	12008	12004	14186	11504	10238	10116	160
64	350	6618	6001	6385	6383	7543	6117	5443	5379	73
	530	9785	8872	9439	9436	11151	9043	8047	7952	106
	700	12006	10887	11583	11578	13683	11096	9875	9757	140
	1050	16509	14970	15927	15921	18814	15258	13578	13416	218
80	350	8184	7421	7895	7893	9327	7564	6731	6651	88
	530	11830	10727	11412	11408	13482	10933	9729	9614	131
	700	14797	13417	14275	14270	16863	13676	12170	12025	176
	1050	20636	18712	19908	19901	23518	19073	16973	16770	274
96	350	9750	8841	9406	9403	11112	9011	8019	7924	104
	530	13875	12581	13385	13380	15812	12823	11411	11275	157
	700	17588	15948	16967	16961	20044	16255	14465	14293	212



VMX-II Cutoff Louver Shield - 3K Lumen Per Watt Data *Not to be used with KM										
# of LEDs	Current (mA)	Type 1	Type 2	Type 3	Type 4	Type 4A	Type 5	Type 5W	Type 5WR	Watts
48	350	93	84	90	90	106	86	77	76	52
	530	83	75	80	80	94	77	68	67	78
	700	80	72	77	77	91	74	66	65	106
	1050	72	66	70	70	83	67	60	59	160
64	350	85	77	82	82	96	78	70	69	73
	530	86	78	83	83	98	79	71	70	106
	700	80	72	77	77	91	74	66	65	140
	1050	71	64	68	68	80	65	58	57	218
80	350	86	78	83	83	98	80	71	70	88
	530	84	76	81	81	96	77	69	68	131
	700	78	71	76	75	89	72	64	64	176
	1050	70	64	68	68	80	65	58	57	274
96	350	88	79	84	84	100	81	72	71	104
	530	82	75	80	80	94	76	68	67	157
	700	77	70	75	74	88	71	64	63	212
VMX-II Cutoff Louver Shield - 4K Lumen Per Watt Data *Not to be used with KM										
# of LEDs	Current (mA)	Type 1	Type 2	Type 3	Type 4	Type 4A	Type 5	Type 5W	Type 5WR	Watts
48	350	98	89	95	94	112	91	81	80	52
	530	87	79	84	84	99	81	72	71	78
	700	84	76	81	81	96	78	69	68	106
	1050	76	69	74	74	87	70	63	62	160
64	350	89	81	86	86	101	82	73	72	73
	530	90	82	87	87	103	83	74	73	106
	700	84	76	81	81	96	78	69	68	140
	1050	74	67	72	72	85	69	61	60	218
80	350	91	82	88	88	104	84	75	74	88
	530	88	80	85	85	101	82	73	72	131
	700	82	75	79	79	94	76	68	67	176
	1050	74	67	71	71	84	68	61	60	274
96	350	92	84	89	89	105	85	76	75	104
	530	87	79	84	84	99	80	71	71	157
	700	81	74	78	78	93	75	67	66	212
VMX-II Cutoff Louver Shield - 5K Lumen Per Watt Data *Not to be used with KM										
# of LEDs	Current (mA)	Type 1	Type 2	Type 3	Type 4	Type 4A	Type 5	Type 5W	Type 5WR	Watts
48	350	100	91	96	96	114	92	82	81	52
	530	89	81	86	86	101	82	73	72	78
	700	86	78	83	83	98	79	71	70	106
	1050	78	71	75	75	89	72	64	63	160
64	350	91	82	88	88	104	84	75	74	73
	530	92	84	89	89	105	85	76	75	106
	700	86	78	83	83	98	79	71	70	140
	1050	76	69	73	73	86	70	62	62	218
80	350	93	84	89	89	106	86	76	75	88
	530	90	82	87	87	103	83	74	73	131
	700	84	76	81	81	96	78	69	68	176
	1050	75	68	73	73	86	70	62	61	274
96	350	94	85	91	91	107	87	77	76	104
	530	89	80	85	85	101	82	73	72	157
	700	83	75	80	80	95	77	68	67	212

# VMX-II LED Specifications

VMX-II Cutoff Louver Shield - 3K BUG Data *Not to be used with KM																													
# of LEDs	Current (mA)	Type 1			Type 2			Type 3			Type 4			Type 4A			Type 5			Type 5W			Type 5WR			Watts			
		B	U	G	B	U	G	B	U	G	B	U	G	B	U	G	B	U	G	B	U	G	B	U	G				
48	350	2	0	2	1	0	2	1	0	2	1	0	2	1	0	2	1	0	1	1	0	1	1	0	1	1	0	1	52
	530	2	0	2	1	0	2	1	0	2	1	0	2	1	0	2	1	0	1	2	0	2	2	0	2	2	0	2	78
	700	2	0	2	1	0	3	2	0	2	1	0	2	1	0	2	2	0	2	2	0	2	2	0	2	2	0	2	106
	1050	3	0	3	2	0	3	2	0	3	2	0	3	2	0	3	2	0	2	3	0	2	3	0	2	3	0	3	160
64	350	2	0	2	1	0	2	1	0	2	1	0	2	1	0	2	1	0	1	2	0	2	2	0	2	2	0	2	73
	530	3	0	3	1	0	3	2	0	2	2	0	3	1	0	2	2	0	2	2	0	2	2	0	2	2	0	2	106
	700	3	0	3	2	0	3	2	0	3	2	0	3	2	0	3	2	0	2	2	0	2	2	0	2	2	0	2	140
	1050	3	0	3	2	0	3	2	0	3	2	0	3	2	0	3	3	0	2	3	0	3	3	0	3	3	0	3	218
80	350	2	0	2	1	0	3	1	0	2	1	0	2	1	0	2	2	0	1	2	0	2	2	0	2	2	0	2	88
	530	3	0	3	2	0	3	2	0	3	2	0	3	1	0	3	2	0	2	2	0	2	2	0	2	2	0	2	131
	700	3	0	3	2	0	3	2	0	3	2	0	3	2	0	3	2	0	2	3	0	2	3	0	2	3	0	3	176
	1050	3	0	4	2	0	4	3	0	3	3	0	4	2	0	3	3	0	3	3	0	3	3	0	3	3	0	3	274
96	350	3	0	3	1	0	3	2	0	2	2	0	3	1	0	2	2	0	2	2	0	2	2	0	2	2	0	2	104
	530	3	0	3	2	0	3	2	0	3	2	0	3	2	0	3	2	0	2	3	0	2	3	0	2	3	0	3	157
	700	3	0	3	2	0	3	3	0	3	2	0	3	2	0	3	3	0	2	3	0	3	3	0	3	3	0	3	212
VMX-II Cutoff Louver Shield - 4K BUG Data *Not to be used with KM																													
# of LEDs	Current (mA)	Type 1			Type 2			Type 3			Type 4			Type 4A			Type 5			Type 5W			Type 5WR			Watts			
		B	U	G	B	U	G	B	U	G	B	U	G	B	U	G	B	U	G	B	U	G	B	U	G				
48	350	2	0	2	1	0	2	1	0	2	1	0	2	1	0	2	1	0	1	1	0	1	1	0	1	1	0	1	52
	530	2	0	2	1	0	2	1	0	2	1	0	2	1	0	2	2	0	1	2	0	2	2	0	2	2	0	2	78
	700	3	0	3	1	0	3	2	0	2	2	0	3	1	0	2	2	0	2	2	0	2	2	0	2	2	0	2	106
	1050	3	0	3	2	0	3	2	0	3	2	0	3	2	0	3	2	0	2	3	0	2	3	0	2	3	0	3	160
64	350	2	0	2	1	0	2	1	0	2	1	0	2	1	0	2	1	0	1	2	0	2	2	0	2	2	0	2	73
	530	3	0	3	1	0	3	2	0	3	2	0	3	1	0	2	2	0	2	2	0	2	2	0	2	2	0	2	106
	700	3	0	3	2	0	3	2	0	3	2	0	3	2	0	3	2	0	2	3	0	2	3	0	2	3	0	3	140
	1050	3	0	3	2	0	3	2	0	3	2	0	3	2	0	3	3	0	2	3	0	3	3	0	3	3	0	3	218
80	350	2	0	2	1	0	3	1	0	2	1	0	2	1	0	2	2	0	2	2	0	2	2	0	2	2	0	2	88
	530	3	0	3	2	0	3	2	0	3	2	0	3	2	0	3	2	0	2	3	0	2	3	0	2	3	0	3	131
	700	3	0	3	2	0	3	2	0	3	2	0	3	2	0	3	2	0	2	3	0	2	3	0	2	3	0	3	176
	1050	3	0	4	2	0	4	3	0	3	3	0	4	2	0	3	3	0	3	3	0	3	3	0	3	3	0	3	274
96	350	3	0	3	1	0	3	2	0	3	2	0	3	1	0	2	2	0	2	2	0	2	2	0	2	2	0	2	104
	530	3	0	3	2	0	3	2	0	3	2	0	3	2	0	3	2	0	2	3	0	2	3	0	2	3	0	3	157
	700	3	0	3	2	0	4	3	0	3	2	0	3	2	0	3	3	0	2	3	0	3	3	0	3	3	0	3	212
VMX-II Cutoff Louver Shield - 5K BUG Data *Not to be used with KM																													
# of LEDs	Current (mA)	Type 1			Type 2			Type 3			Type 4			Type 4A			Type 5			Type 5W			Type 5WR			Watts			
		B	U	G	B	U	G	B	U	G	B	U	G	B	U	G	B	U	G	B	U	G	B	U	G				
48	350	2	0	2	1	0	2	1	0	2	1	0	2	1	0	2	1	0	1	1	0	1	1	0	1	1	0	1	52
	530	2	0	2	1	0	2	1	0	2	1	0	2	1	0	2	2	0	1	2	0	2	2	0	2	2	0	2	78
	700	3	0	3	1	0	3	2	0	2	2	0	3	1	0	2	2	0	2	2	0	2	2	0	2	2	0	2	106
	1050	3	0	3	2	0	3	2	0	3	2	0	3	2	0	3	2	0	2	3	0	2	3	0	2	3	0	3	160
64	350	2	0	2	1	0	2	1	0	2	1	0	2	1	0	2	1	0	1	2	0	2	2	0	2	2	0	2	73
	530	3	0	3	1	0	3	2	0	3	2	0	3	1	0	3	2	0	2	2	0	2	2	0	2	2	0	2	106
	700	3	0	3	2	0	3	2	0	3	2	0	3	2	0	3	2	0	2	3	0	2	3	0	2	3	0	3	140
	1050	3	0	3	2	0	3	3	0	3	2	0	3	2	0	3	3	0	2	3	0	3	3	0	3	3	0	3	218
80	350	2	0	2	1	0	3	2	0	2	1	0	2	1	0	2	2	0	2	2	0	2	2	0	2	2	0	2	88
	530	3	0	3	2	0	3	2	0	3	2	0	3	2	0	3	2	0	2	3	0	2	3	0	2	3	0	3	131
	700	3	0	3	2	0	3	2	0	3	2	0	3	2	0	3	2	0	2	3	0	2	3	0	2	3	0	3	176
	1050	3	0	4	3	0	4	3	0	4	3	0	4	2	0	3	3	0	3	3	0	3	3	0	3	3	0	3	274
96	350	3	0	3	1	0	3	2	0	3	2	0	3	1	0	3	2	0	2	2	0	2	2	0	2	2	0	2	104
	530	3	0	3	2	0	3	2	0	3	2	0	3	2	0	3	2	0	2	3	0	2	3	0	2	3	0	3	157
	700	3	0	3	2	0	4	3	0	3	3	0	3	2	0	3	3	0	2	3	0	3	3	0	3	3	0	3	212



## Bug Rating -

The subzones are individually rated on a scale from 0 to 5, going from lowest to highest luminous flux. The highest rating of a subzone is considered the overall rating for that zone, and these readings are compiled into the BUG lighting classification: for example, B3 U1 G0. The tables below, which are based on the standards established by the IES, show the thresholds for each subzone.

